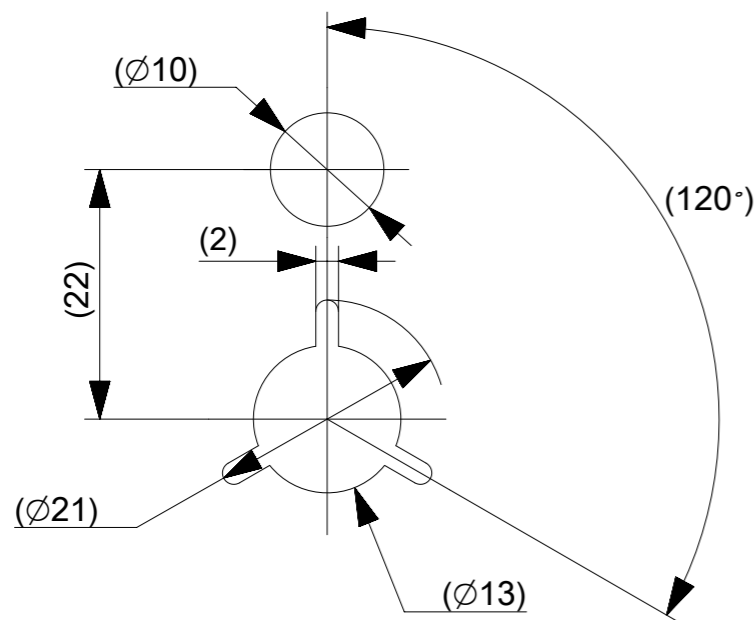
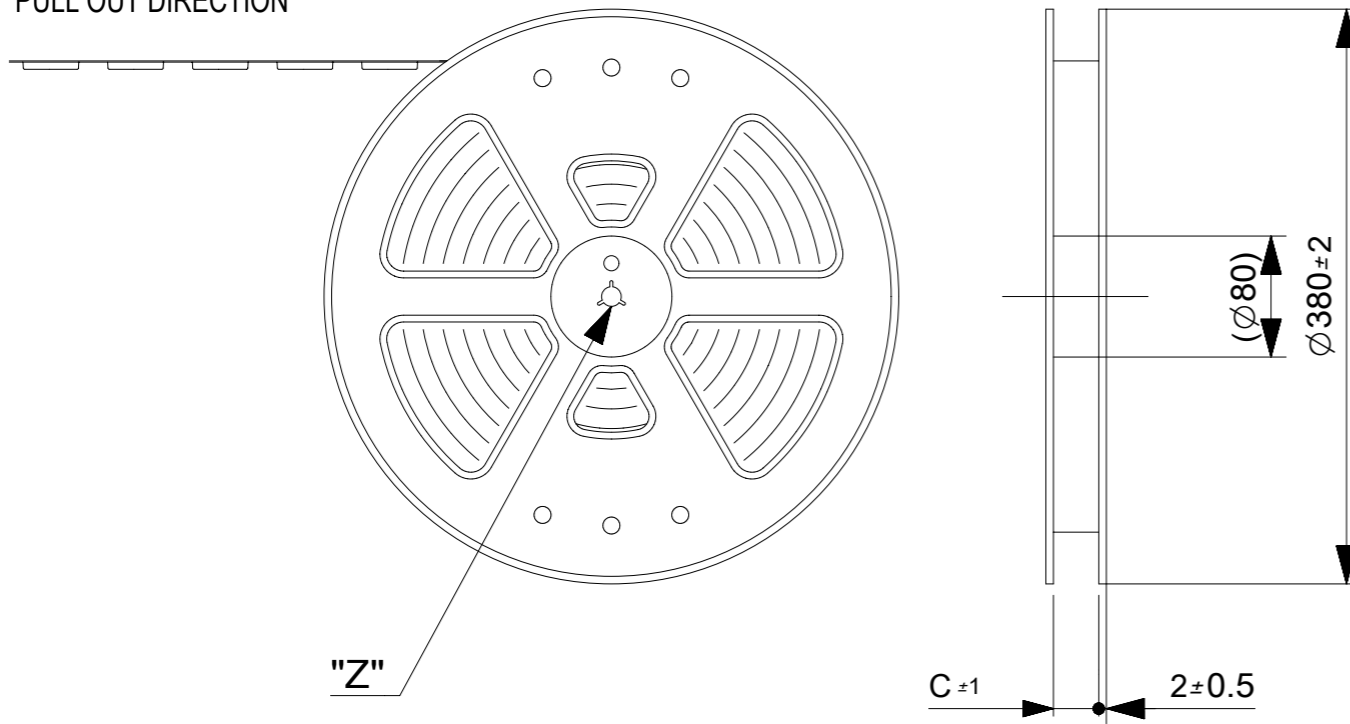


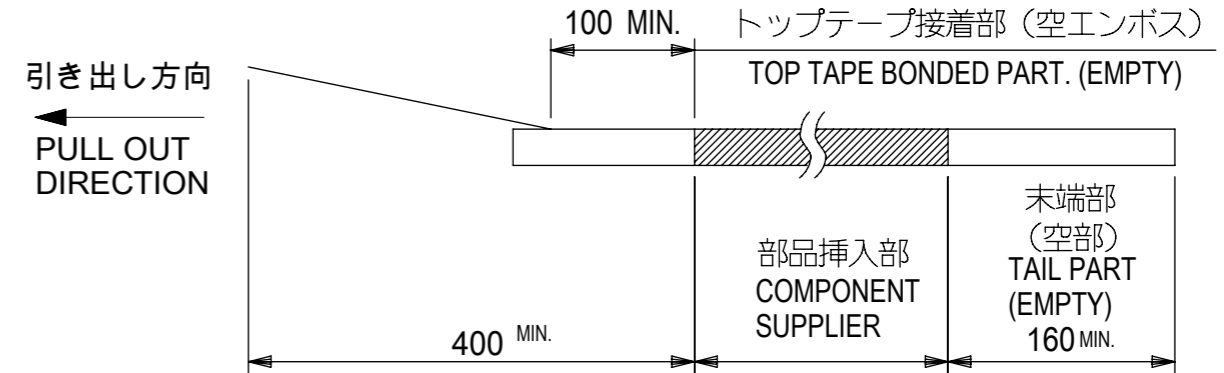
引き出し方向  
PULL OUT DIRECTION



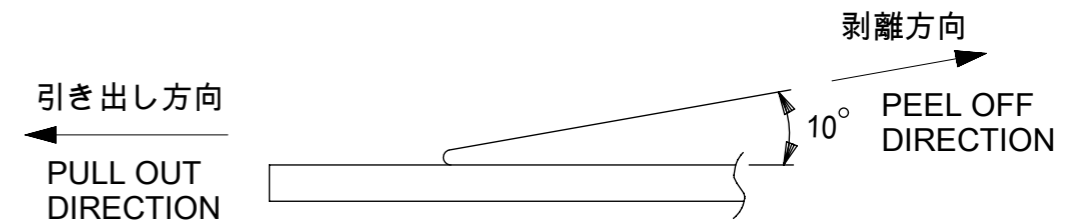
DETAIL "Z"

NOTES

- 製品詳細寸法は製品単体図面を参照して下さい。  
FOR DETAIL OF CONNECTOR DIMENSIONS, PLEASE SEE THE DRAWING OF CONNECTOR ITSELF (NOT PACKAGED).
- 梱包数量 : 3000個 / リール  
NUMBER OF CONNECTORS : 3000PCS/REEL
- リードテープ長さ LEAD TAPE LENGTH



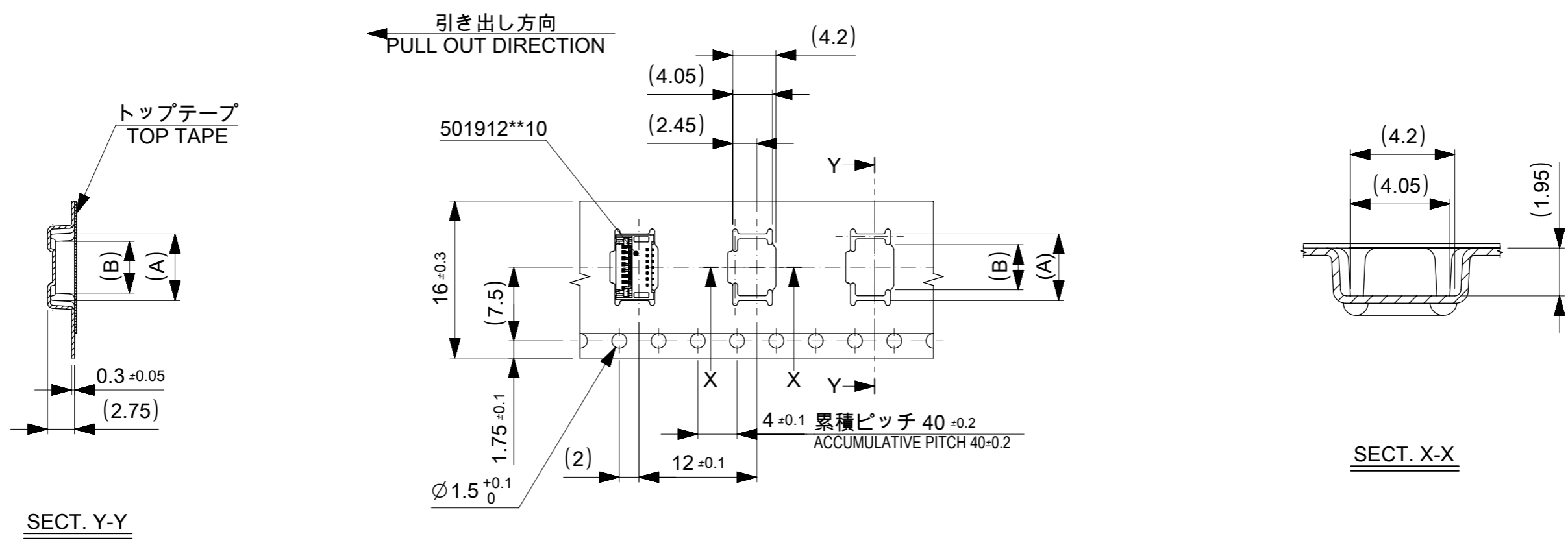
- トップテープの剥離強度 : 60±35gf (0.25N ~ 0.93N) (剥離方向は下図参照)  
尚、本規格は出荷時に適用。(但し、輸送時に剥離が発生しないこと。)  
PEELING OFF FORCE OF TOP TAPE : 60gf±35gf (0.25N ~ 0.93N)  
(PEELING DIRECTION AS SHOWN IN FOLLOWING FIG.)  
THIS REQUIREMENT SHOULD BE APPLIED AT SHIPMENT.  
PEEL OFF SHOULD NOT BE ALLOWED , DURING TRANSPORTATION.



- 材料(MATERIAL)  
キャリアテープ(CARRIER TAPE) : ポリスチレン(POLYSTYREN)  
トップテープ(TOP TAPE) : PET, PE, PEF  
リール(REEL) : ポリスチレン(PS) <リサイクル材を含む>  
POLYSTYREN(PS) <RECYCLE MATERIAL CONTAINED>
- C寸法は SHEET 2~4を参照下さい。  
SEE SHEET 2~4(DIMENSION C).
- ELV AND RoHS COMPLIANT.

501912\*\*90 MODEL NO.

THIS DRAWING CONTAINS INFORMATION THAT IS PROPRIETARY TO MOLEX ELECTRONIC TECHNOLOGIES, LLC AND SHOULD NOT BE USED WITHOUT WRITTEN PERMISSION										
RELEASED	EC NO. 101883	DRWN: SHIRATA	CHK'D: YNOGAWA	APP'R: YNOGAWA	2015/11/24	2016/01/05	2016/01/05	GENERAL TOLERANCES (UNLESS SPECIFIED)		
	4 PLACES		± 0.2		ANGULAR TOL ± 3.0 °		DIMENSION UNITS		SCALE	
	3 PLACES		± 0.2		DRAWN BY		DATE		mm	NTS
	2 PLACES		± 0.2		SHIRATA		2015/11/24		PRODUCT CUSTOMER DRAWING	
	1 PLACE		± 0.2		CHK'D BY		DATE		SERIES	
0 PLACES		± 0.2		HIIJIMA		2016/01/05		MATERIAL NUMBER		
DRAFT WHERE APPLICABLE MUST REMAIN WITHIN DIMENSIONS		DRAWING SIZE		THIRD ANGLE PROJECTION		A3		CUSTOMER		
A		REV		501912		SEE TABLE		DOCUMENT NUMBER		
5019120000		DOC TYPE		PSD		DOC PART		SHEET NUMBER		
000		1 OF 4								

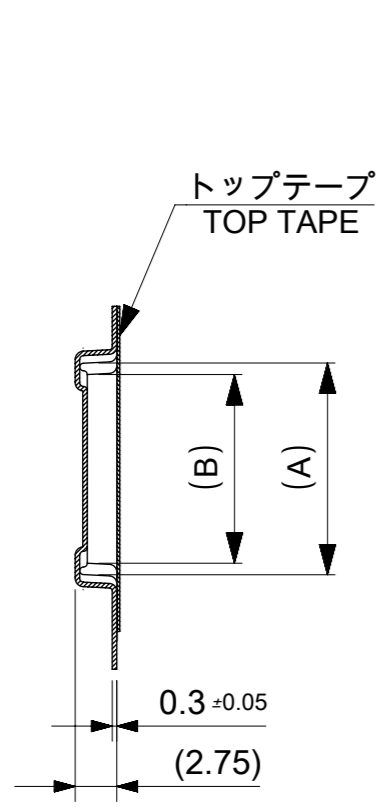


16mm幅キャリアテープ  
16mm WIDTH CARRIER TAPE

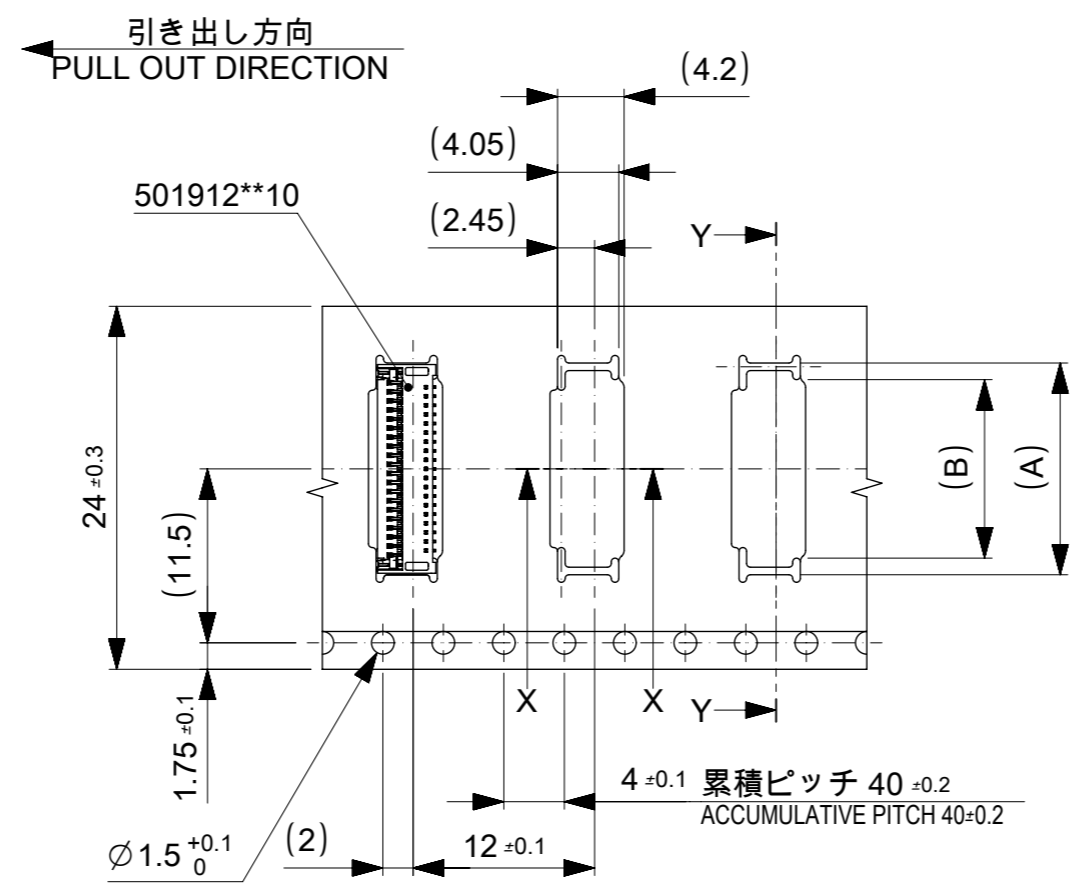
16	17.5	4.6	6.8	5019121590	15
キャリアテープ幅 CARRIER TAPE WIDTH	C	(B)	(A)	オーダー番号 ORDER NO.	極数 Ckt
501912**90				MODEL NO.	

THIS DRAWING CONTAINS INFORMATION THAT IS PROPRIETARY TO MOLEX ELECTRONIC TECHNOLOGIES, LLC AND SHOULD NOT BE USED WITHOUT WRITTEN PERMISSION

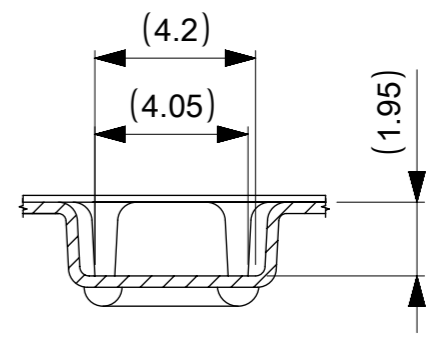
EC NO: 101883 DRWN: SHIRATA CHK'D: YNOGAWA APPR: YNOGAWA REV: A	2015/11/24 2016/01/05 2016/01/05	GENERAL TOLERANCES (UNLESS SPECIFIED) ANGULAR TOL $\pm$ 3.0 ° 4 PLACES $\pm$ 0.2 3 PLACES $\pm$ 0.2 2 PLACES $\pm$ 0.2 1 PLACE $\pm$ 0.2 0 PLACES $\pm$ 0.2	DIMENSION UNITS: mm SCALE: NTS	<b>molex</b>  EMBSTP PKG FOR 0.3 FPC CONN (HGT=1.8MM) GOLD PLATING  PRODUCT CUSTOMER DRAWING	
	DRWN BY: SHIRATA CHK'D BY: HIIJIMA APPR BY: YNOGAWA	DATE: 2015/11/24 DATE: 2016/01/05 DATE: 2016/01/05	DRAFT WHERE APPLICABLE MUST REMAIN WITHIN DIMENSIONS		DRAWING SIZE: A3 THIRD ANGLE PROJECTION
	SERIES: 501912 MATERIAL NUMBER: SEE TABLE CUSTOMER:		DOCUMENT NUMBER: 5019120000 DOC TYPE: PSD DOC PART: 000 SHEET NUMBER: 2 OF 4		
	RELEASED		DIMENSION UNITS: mm SCALE: NTS		
	EC NO: 101883 DRWN: SHIRATA CHK'D: YNOGAWA APPR: YNOGAWA REV: A		DIMENSION UNITS: mm SCALE: NTS		



SECT. Y-Y



24mm幅キャリアテープ  
24mm WIDTH CARRIER TAPE



SECT. X-X

24	25.5	12.4	14.6	5019124190	41	
		11.8	14.0	5019123990	39	
		11.2	13.4	5019123790	37	
		10.6	12.8	5019123590	35	
		10.0	12.2	5019123390	33	
		8.2	10.4	5019122790	27	
		7.6	9.8	5019122590	25	
		7.0	9.2	5019122390	23	
		6.4	8.6	5019122190	21	
キャリアテープ幅 CARRIER TAPE WIDTH		C	(B)	(A)	オーダー番号 ORDER NO.	極数 Ckt
501912**90				MODEL NO.		

THIS DRAWING CONTAINS INFORMATION THAT IS PROPRIETARY TO MOLEX ELECTRONIC TECHNOLOGIES, LLC AND SHOULD NOT BE USED WITHOUT WRITTEN PERMISSION

EC NO: 101883 DRWN: SHIRATA CHK'D: YNOGAWA APPR: YNOGAWA	2015/11/24	GENERAL TOLERANCES (UNLESS SPECIFIED)		DIMENSION UNITS	SCALE						
	2016/01/05	ANGULAR TOL ± 3.0 °		mm	NTS						
	RELEASED EC NO: 101883 DRWN: SHIRATA CHK'D: YNOGAWA APPR: YNOGAWA	2016/01/05	4 PLACES	± 0.2	DRWN BY	DATE	EMBSTP PKG FOR 0.3 FPC CONN (HGT=1.8MM) GOLD PLATING				
		2016/01/05	3 PLACES	± 0.2	SHIRATA	2015/11/24					
		A	REV	2 PLACES	± 0.2	CHK'D BY	DATE	PRODUCT CUSTOMER DRAWING			
			1	1 PLACE	± 0.2	HIIJIMA					
		0 PLACES	± 0.2	APPR BY	DATE	SERIES	MATERIAL NUMBER	CUSTOMER			
		DRAFT WHERE APPLICABLE MUST REMAIN WITHIN DIMENSIONS		YNOGAWA	2016/01/05	501912	SEE TABLE				
		DRAFT WHERE APPLICABLE MUST REMAIN WITHIN DIMENSIONS		DRAWING SIZE	THIRD ANGLE PROJECTION	DOCUMENT NUMBER		DOC TYPE	DOC PART	SHEET NUMBER	
		DRAFT WHERE APPLICABLE MUST REMAIN WITHIN DIMENSIONS		A3		5019120000		PSD	000	3 OF 4	

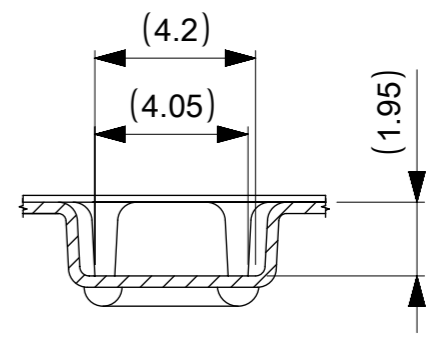
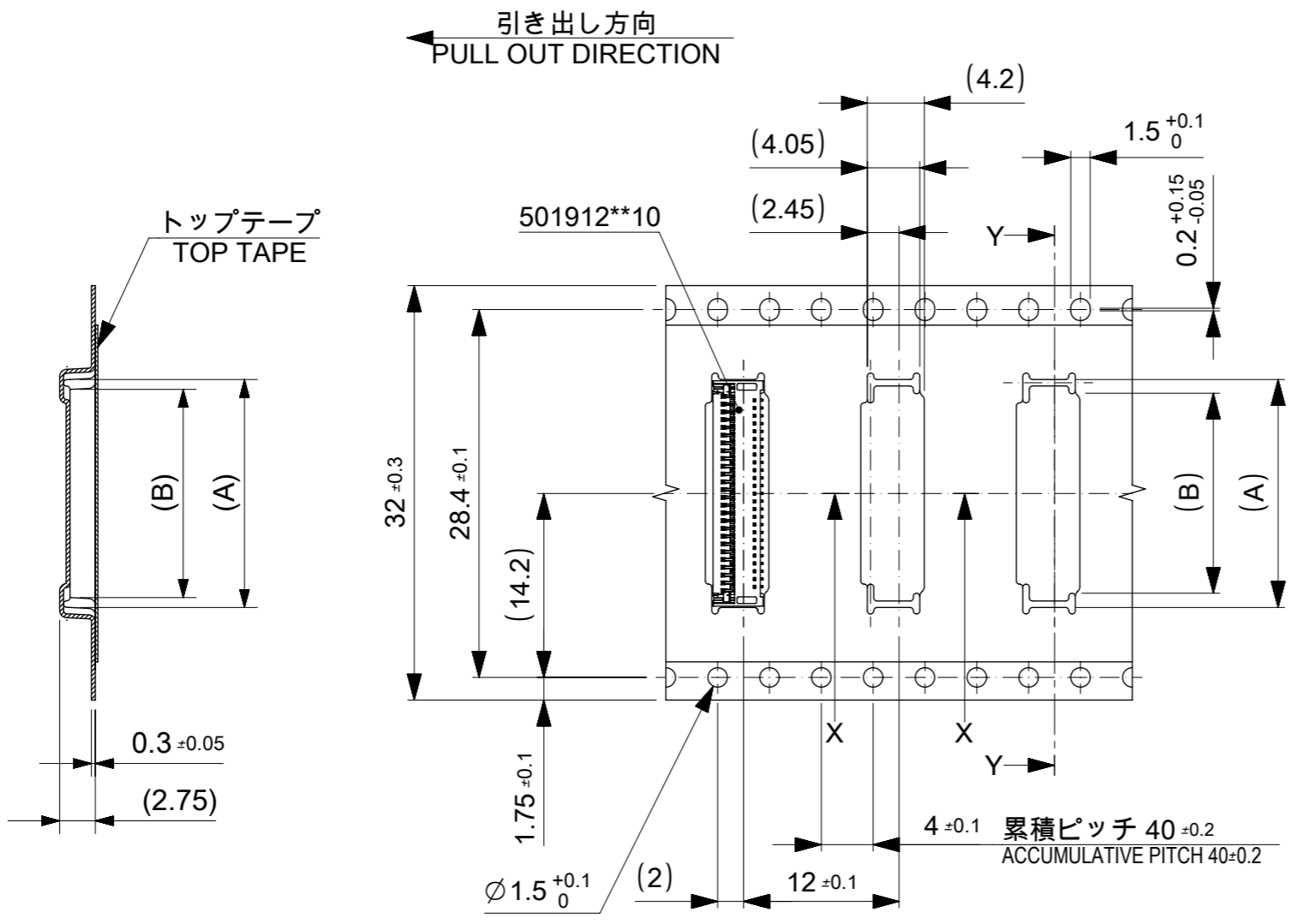
E

D

C

B

A



SECT. Y-Y

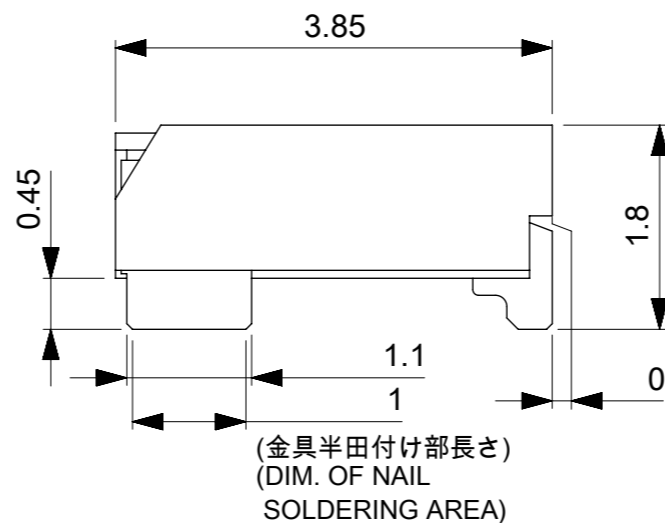
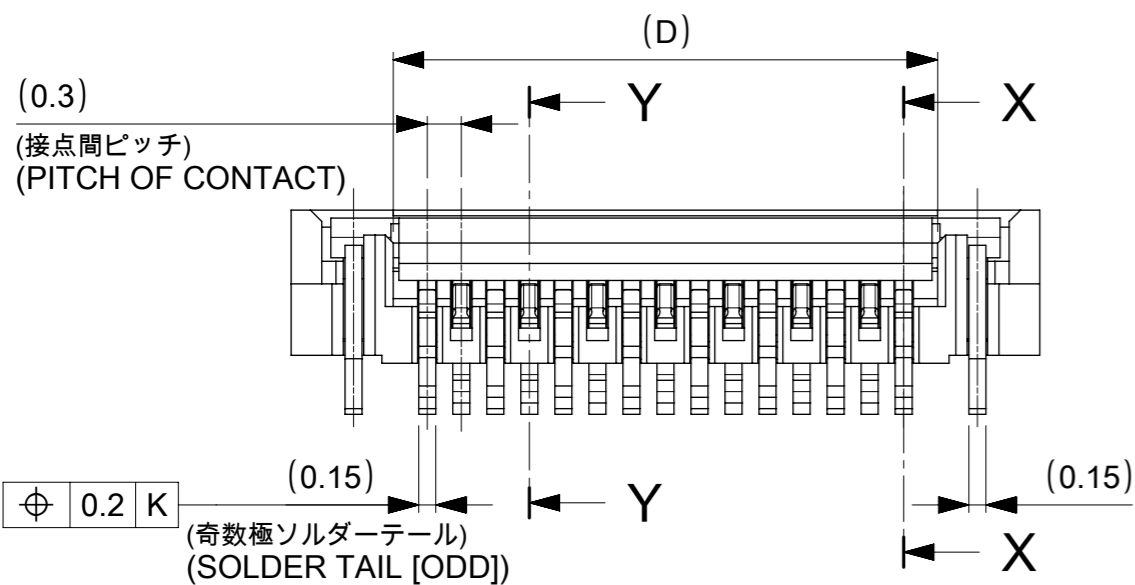
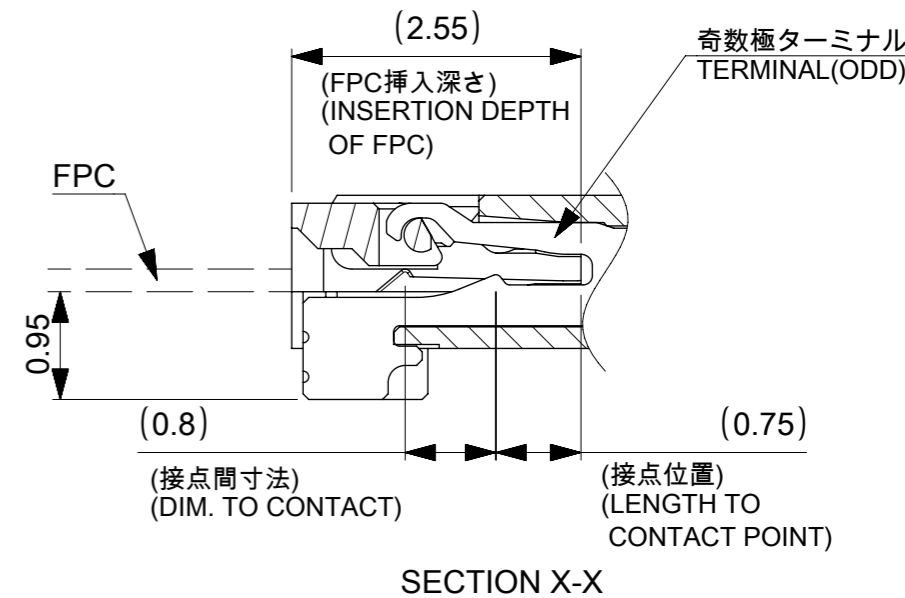
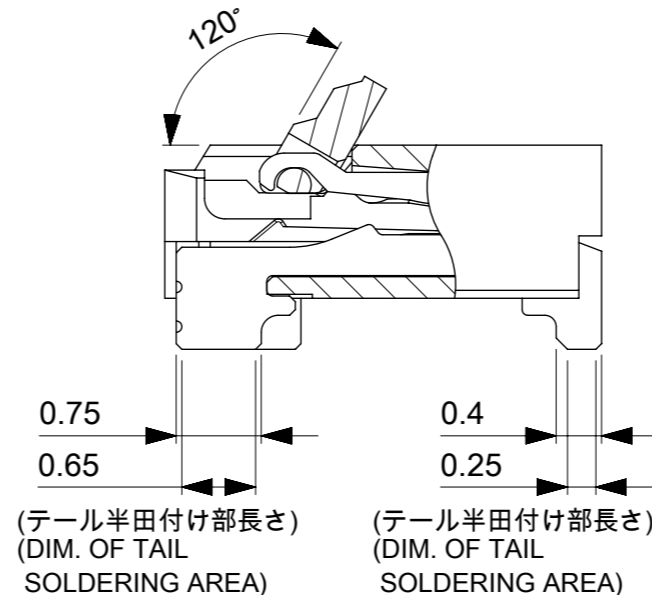
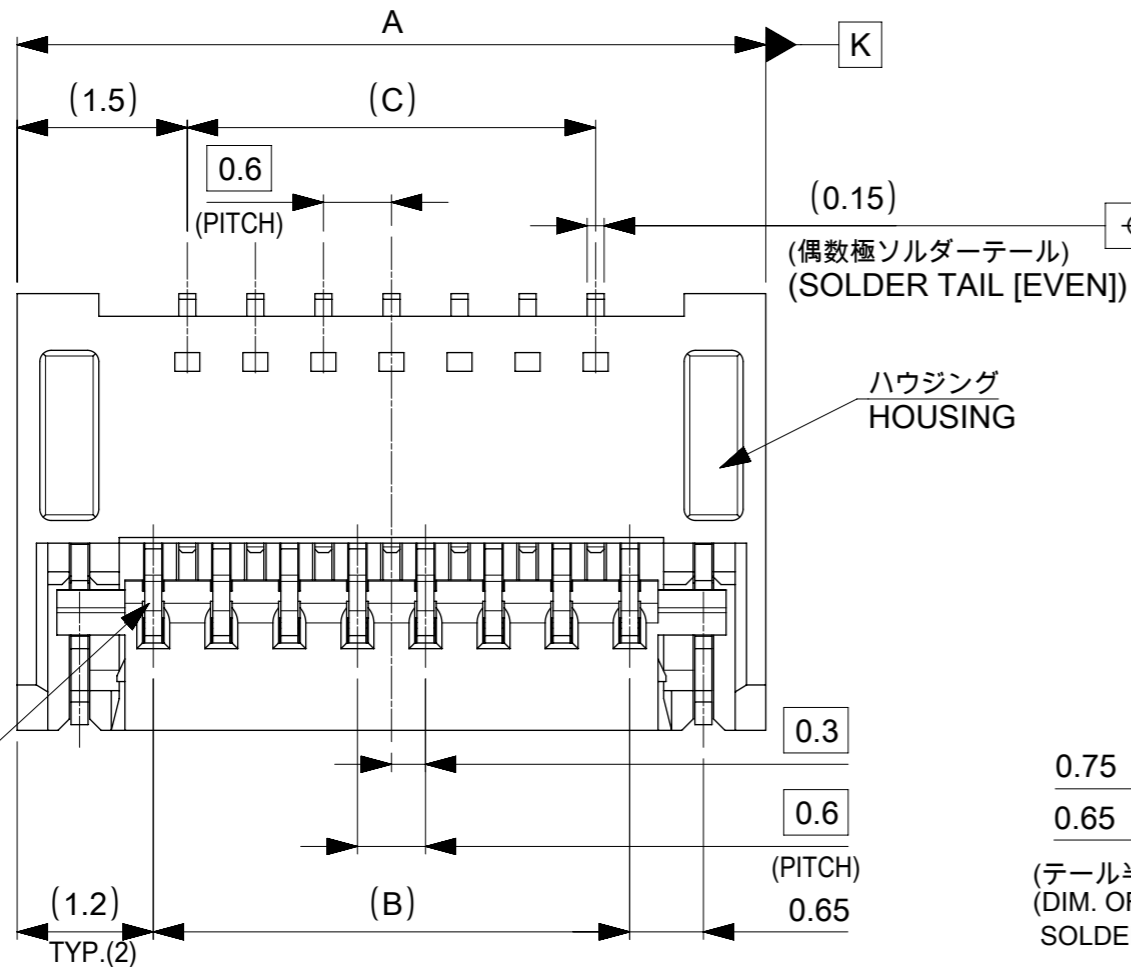
32mm幅キャリアテープ  
32mm WIDTH CARRIER TAPE

32	33.5	15.4	17.6	5019125190	51
		14.2	16.4	5019124790	47
		13.6	15.8	5019124590	45
キャリアテープ幅 CARRIER TAPE WIDTH	C	(B)	(A)	オーダー番号 ORDER NO.	極数 Ckt
501912**90				MODEL NO.	

THIS DRAWING CONTAINS INFORMATION THAT IS PROPRIETARY TO MOLEX ELECTRONIC TECHNOLOGIES, LLC AND SHOULD NOT BE USED WITHOUT WRITTEN PERMISSION

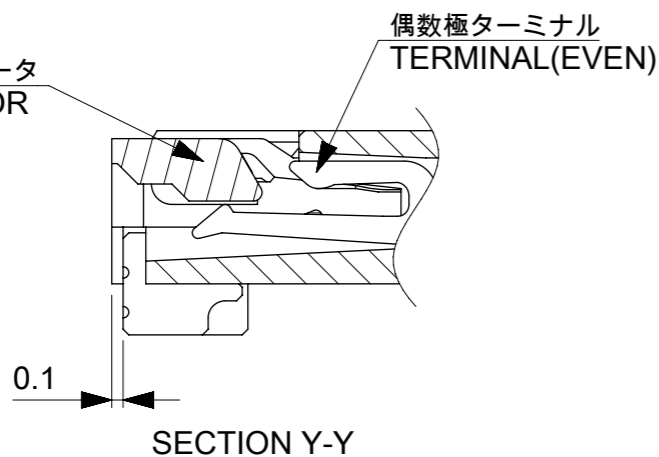
EC NO: 101883 DRWN: SHIRATA CHK'D: YNOGAWA APPR: YNOGAWA REV: A	2015/11/24 2016/01/05 2016/01/05	GENERAL TOLERANCES (UNLESS SPECIFIED) ANGULAR TOL ± 3.0 ° 4 PLACES ± 0.2 3 PLACES ± 0.2 2 PLACES ± 0.2 1 PLACE ± 0.2 0 PLACES ± 0.2	DIMENSION UNITS: mm SCALE: NTS	<b>molex</b> EMBSTP PKG FOR 0.3 FPC CONN (HGT=1.8MM) GOLD PLATING		
	DRWN BY: SHIRATA CHK'D BY: HIIJIMA APPR BY: YNOGAWA	DATE: 2015/11/24	DATE: 2016/01/05			
	DRAFT WHERE APPLICABLE MUST REMAIN WITHIN DIMENSIONS	DRAWING SIZE: A3 THIRD ANGLE PROJECTION	SERIES: 501912 MATERIAL NUMBER: SEE TABLE CUSTOMER:	DOCUMENT NUMBER: 5019120000 DOC TYPE: PSD DOC PART: 000 SHEET NUMBER: 4 OF 4		

回路番号1  
CIRCUIT No.1



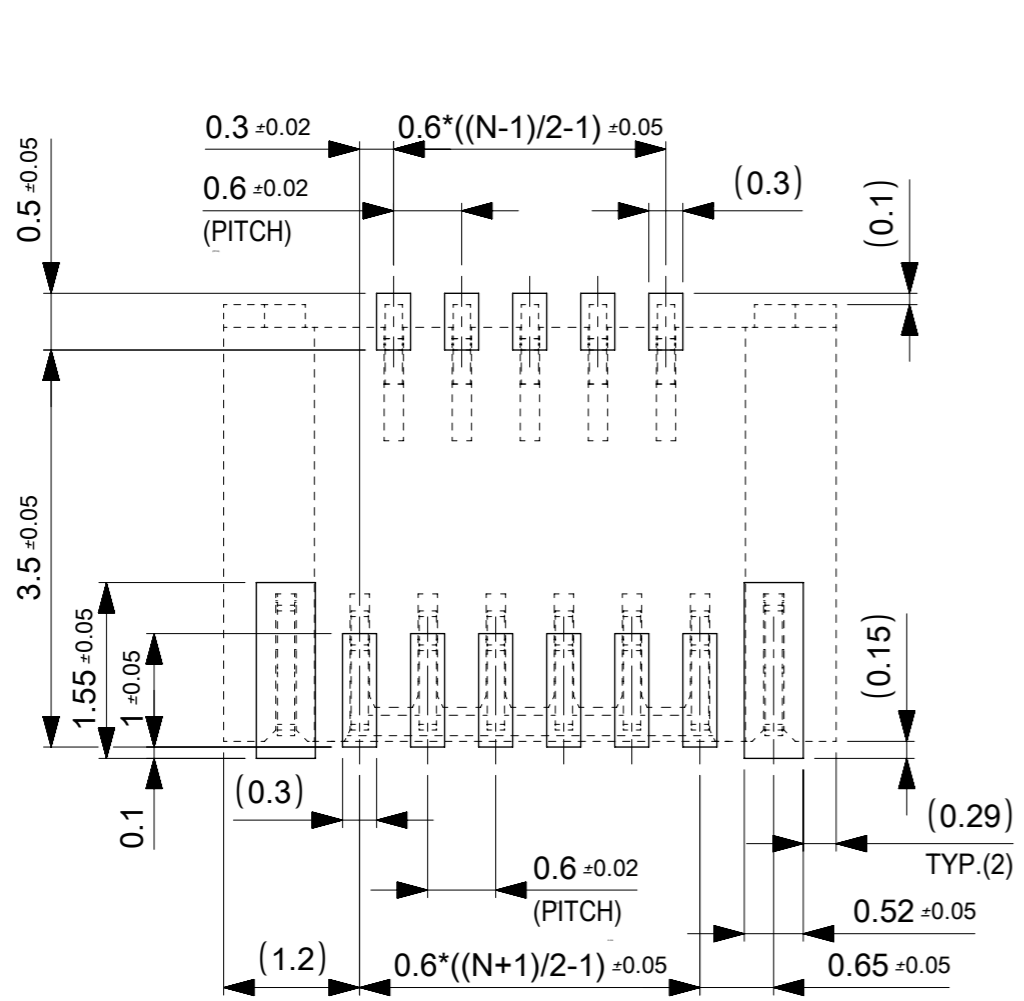
15.6	14.4	15.0	17.4	5019125190	5019125110	51
14.4	13.2	13.8	16.2	5019124790	5019124710	47
13.8	12.6	13.2	15.6	5019124590	5019124510	45
12.6	11.4	12.0	14.4	5019124190	5019124110	41
12.0	10.8	11.4	13.8	5019123990	5019123910	39
11.4	10.2	10.8	13.2	5019123790	5019123710	37
10.8	9.6	10.2	12.6	5019123590	5019123510	35
10.2	9.0	9.6	12.0	5019123390	5019123310	33
8.4	7.2	7.8	10.2	5019122790	5019122710	27
7.8	6.6	7.2	9.6	5019122590	5019122510	25
7.2	6.0	6.6	9.0	5019122390	5019122310	23
6.6	5.4	6.0	8.4	5019122190	5019122110	21
4.8	3.6	4.2	6.6	5019121590	5019121510	15
D	C	B	A	EMBOSSED TAPE PKG		MATERIAL No. CIRCUIT
				ORDER No.		
MODEL No. 501912**10						

アクチュエータ  
ACTUATOR



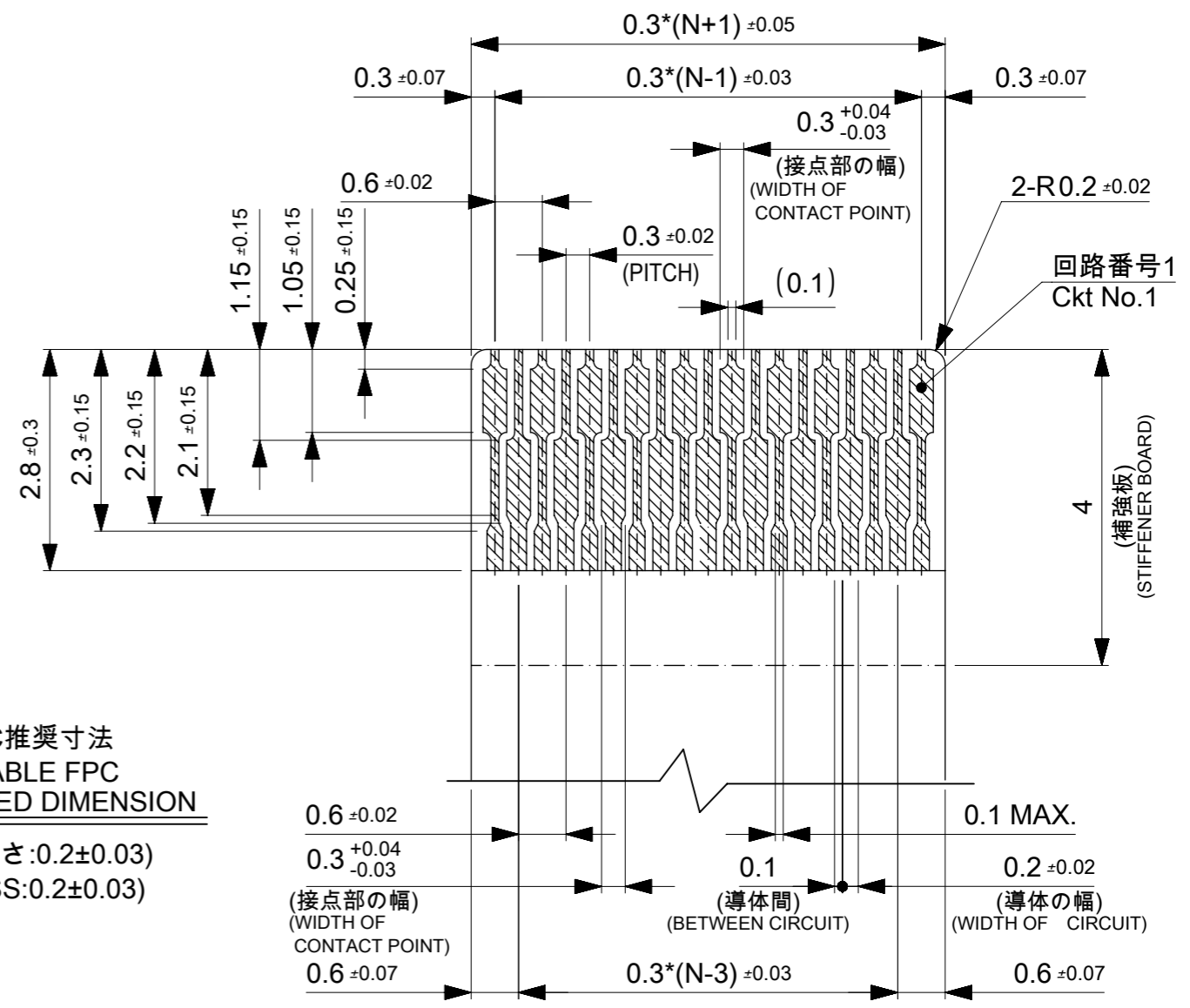
THIS DRAWING CONTAINS INFORMATION THAT IS PROPRIETARY TO MOLEX ELECTRONIC TECHNOLOGIES, LLC AND SHOULD NOT BE USED WITHOUT WRITTEN PERMISSION

RELEASED	2015/11/24	GENERAL TOLERANCES (UNLESS SPECIFIED)		DIMENSION UNITS	SCALE	<b>molex</b>				
	DRWN: SHIRATA	ANGULAR TOL ± 3.0 °		mm	15:1					
	CHK'D: YNOGAWA	4 PLACES ± 0.2	DRWN BY	DATE	SHIRATA					2015/11/24
	APPR: YNOGAWA	3 PLACES ± 0.2	CHK'D BY	DATE	HIIJIMA					
		2 PLACES ± 0.2	APPR BY	DATE	YNOGAWA					2016/01/05
EC NO: 101883		1 PLACE ± 0.2	DRAFT WHERE APPLICABLE MUST REMAIN WITHIN DIMENSIONS	DRAWING SIZE	THIRD ANGLE PROJECTION	PRODUCT CUSTOMER DRAWING				
A	REV	0 PLACES ± 0.2		A3		SERIES	MATERIAL NUMBER	CUSTOMER		
						501912	SEE TABLE			
						DOCUMENT NUMBER		DOC TYPE	DOC PART	SHEET NUMBER
						5019121000	PSD	000	1 OF 2	



参考基板レイアウト図  
(マウント面)  
(MOUNTING SIDE)

適合FPC推奨寸法  
APPLICABLE FPC  
RECOMMENDED DIMENSION  
(仕上がり厚さ:0.2±0.03)  
(THICKNESS:0.2±0.03)



注記 NOTES

- 使用材料 MATERIAL
  - ハウジング :耐熱性樹脂 ガラス充填 UL94V-0
  - HOUSING :HEAT RESISTANCE POLYMER(GLASS FILLED) UL94V-0
  - アクチュエータ :耐熱性樹脂 ガラス充填 UL94V-0
  - ACTUATOR :HEAT RESISTANCE POLYMER(GLASS FILLED) UL94V-0
  - ターミナル :銅合金(t=0.15)、ニッケル下地金メッキ
  - TERMINAL :COPPER ALLOY(t=0.15),GOLD OVER NICKEL PLATING.
  - 金具 :銅合金(t=0.15)、ニッケル下地スズメッキ
  - FITTING NAIL :COPPER ALLOY(t=0.15),TIN OVER NICKEL PLATING.
- ハウジングに黒点がある場合がありますが、問題はありません。
- ソルダーテール半田付け面、及び金具半田付け面の平坦度 : 0.1mm MAXIMUM.  
COPLANARITY OF SOLDER TAILS AND FITTING NAILS TO BE 0.1mm MAXIMUM.
- ELV AND RoHS COMPLIANT.

FPCについて:

打抜き方向は導体側から補強板側を推奨致します。  
導体部については軟銅箔35マイクロメートルまたは50マイクロメートルを推奨致します。  
補強フィルム材質はポリイミドを推奨致します。  
接着剤は熱硬化接着剤を推奨致します。

ABOUT FPC

RECOMMENDED PUNCHER DIRECTION : FROM CONDUCTOR SIDE TO STIFFENER FILM SIDE.  
RECOMMENDED CONDUCTOR SPEC :  
THICKNESS OF SOFT COPPER FOIL : 35 MICROMETER OR 50 MICROMETER.  
RECOMMENDED MATERIAL :  
STIFFENER FILM : POLYIMIDE  
BONDING AGENT : THERMOSETTING BONDING AGENT.

THIS DRAWING CONTAINS INFORMATION THAT IS PROPRIETARY TO MOLEX ELECTRONIC TECHNOLOGIES, LLC AND SHOULD NOT BE USED WITHOUT WRITTEN PERMISSION

EC NO: 101883 DRWN: SHIRATA CHK'D: YNOGAWA APPR: YNOGAWA REV: A	2015/11/24 2016/01/05 2016/01/05	GENERAL TOLERANCES (UNLESS SPECIFIED) ANGULAR TOL ± 3.0 ° 4 PLACES ± 0.2 3 PLACES ± 0.2 2 PLACES ± 0.2 1 PLACE ± 0.2 0 PLACES ± 0.2	DIMENSION UNITS: mm SCALE: 15:1 DRWN BY: SHIRATA DATE: 2015/11/24 CHK'D BY: HIIJIMA DATE: APPR BY: YNOGAWA DATE: 2016/01/05	DRAFT WHERE APPLICABLE MUST REMAIN WITHIN DIMENSIONS A3 	
	0.3 FPC CONN E/O HSG ASSY (HGT=1.8MM) GOLD PLATING				
	PRODUCT CUSTOMER DRAWING				
	SERIES: 501912	MATERIAL NUMBER: SEE TABLE	CUSTOMER:		
	DOCUMENT NUMBER: 5019121000	DOC TYPE: PSD	DOC PART: 000	SHEET NUMBER: 2 OF 2	