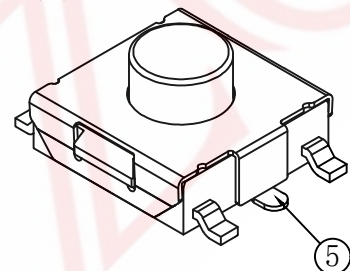
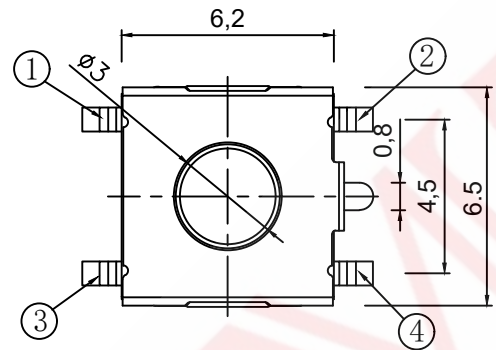
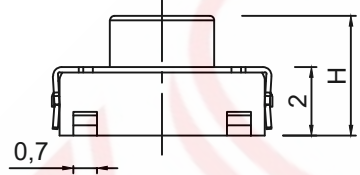
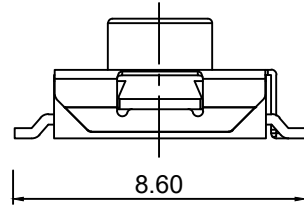
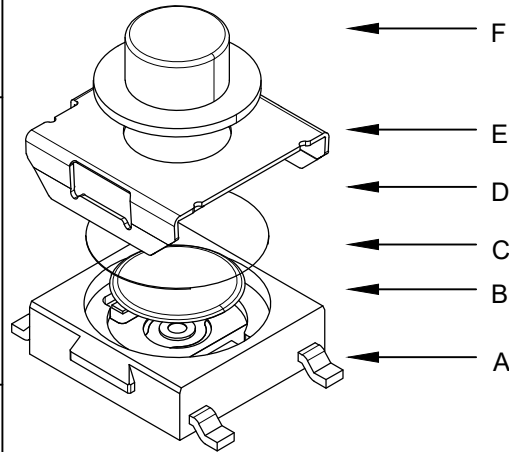


1 SAMZO 2 REAC/ROHS

REV	ECN NO	DESCRIPTION	DESIGN	APPROVAL	DATE
A1	NEW	Replace frame			2018.06.12

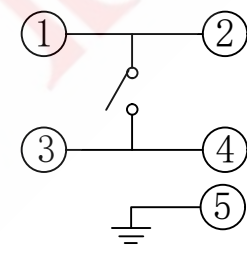


主要技术参数、性能
The Main Thchnology Performance

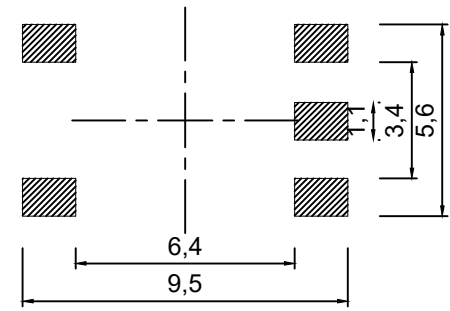
额定电流、电压 Rate voltage,current	50mA DC12V
接触电阻 Contact resistance	≤100mΩ
按力 Operating force	±50gf
行程 Travel	0.20±0.10mm
绝缘电阻 Insulated resistance	≥100MΩ
介电强度 Dielectric strength	≥250VAC/1min

- H 4 C * * * * 1 *
- A B C D E F G H

A. 系列:H-6.2*6.2mm系列
 B. 贴装方式:4-立式贴片
 C. 引脚规格:C-5P
 D. 操作高度:25-2.5/27-2.7/31-3.1/34-3.4/43-4.3/50-5.0
 E: 操作力度:1-180gf/2-260gf
 F: 操作寿命:1-50,000次/2-100,000次
 G: 固定方式:1-无柱
 H: 物料编码:0-红色柄/1-黑色柄



电路图
CIRCUIT DIAGRAM



PCB. 焊接图
PCB. WELDING DRAWING

ITEM	DESCRIPTION	MATERIAL	QTY	FINISH/COLOR					
F	按钮	PPA	1	红色/黑色					
E	盖板	磷铜	1	铜镀锡	GENERAL TOLERANCE				
D	防尘膜	聚酰亚胺	1	橙黄色	≥0~2<	±0.15			
C	弹片	不锈钢	1	镀银	DESIGN	WANGGUIFA	2018.06.12	≥2~5<	±0.25
B	本件	PPA	1	黑色	CHECKED	ZHENGUILAN	2018.06.12	≥0~2<	±0.15
A	卡件	黄铜	1	镀银	APPROVED	LILIANJIANG	2018.06.14	≥5	±0.35

FIRST VIEW

SCALE 1:1 UNIT mm

SAMZO COMPONENTS
Electronic switch and connector manufacturer

The copyright belongs to samzo parts [China] Co., Ltd. please use the material after samzo parts agree to authorize. The final right of interpretation belongs to samzo parts. WWW.KKK-JP.COM

TITLE: 6.2*6.2*H mm 5P-LT
DWG NO: H4C31-P02
PART NO: H4C2550021
MODEL NO: H4C**-*-1-*
NAME: TACT SWITCH