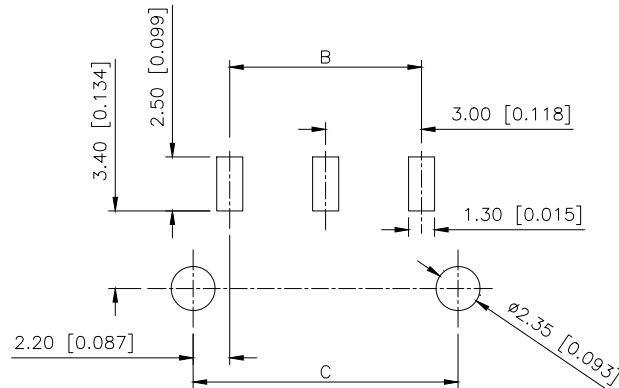
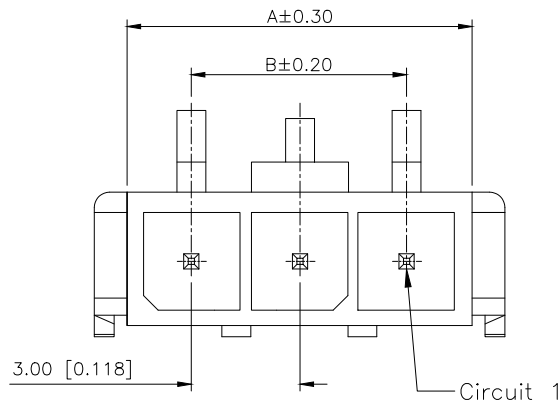


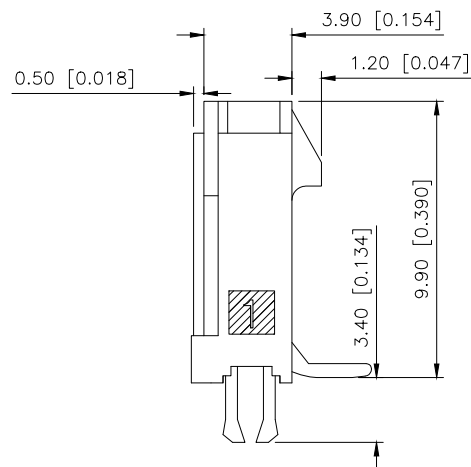
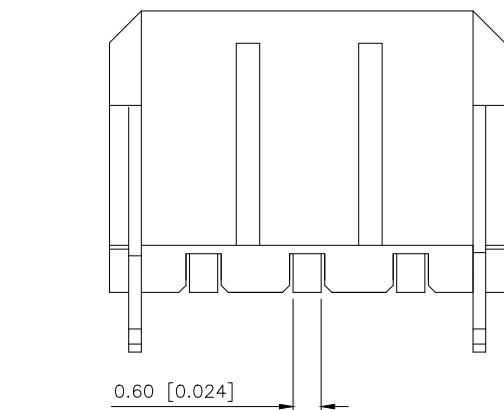
REVISIONS					
REV.	ECN NO.	LOCATION	DESCRIPTION	DATE	DESIGN
A0	N/A		INITIAL RELEASE	/	/
A1	N/A		图面升级整理图面	2024.07.17	阿树



PCB LAYOUT

■SPECIFICATIONS

- Voltage rating:250V AC/DC
- Current rating:5A AC/DC
- Withstanding Voltage:1000V AC/minute
- Temperature range:-45°C+125°C
- Insulation resistance: $\geq 1000M\Omega$
- Contact resistance: $\leq 10m\Omega$
- After environmental testing:  $\leq 20m\Omega$



PART NO.:

X3025 W V S-XX C-LP SW XX  
① ② ③ ④ ⑤ ⑥ ⑦ ⑧ ⑨

- ①Series No
- ②Category:W-Wafer
- ③Welding Board Angle:V-Stright 180°
- ④Welding Way: S-SMT
- ⑤Row No.Pin No:XX-02~12Pin
- ⑥Special NO:C-The harpoon
- ⑦Material:LP-LCP UL94V-0
- ⑧Planting Category: SW-Fog Tin plating
- ⑨Color:Blank-Natural Color

Poles	Dimensions (mm)		
	A	B	C
02	6.85	3.00	7.30
03	9.85	6.00	10.30
04	12.85	9.00	13.30
05	15.85	12.00	16.30
06	18.85	15.00	19.30
07	21.85	18.00	22.30
08	24.85	21.00	25.30
09	27.85	24.00	28.30
10	30.85	27.00	31.30
11	33.85	30.00	34.30
12	36.85	33.00	37.30

X3025WVS-XXC-LPSW	LCP UL 94V-0	Brass	Tin Plating Fog	Brass	Tin-Plated	X3025H
PART NO	Material	Material(Pin)	Finish(Pin)	Material (Solder Tabs)	Finish (Solder Tabs)	Mates With XKB Housing

AuGLAR	$\pm 5^\circ$
X.	$\pm 0.40$
X.x	$\pm 0.30$
X.xx	$\pm 0.20$
X.xxx	$\pm 0.15$
UNSPECIFIED TOLERAuCES	



DESIGN	阿树	VIEW:		MODEL TYPE:	3.00mm Crimp Style Connectors
CHECKED		UNIT:	mm/in	PART NO.:	X3025WVS-XXC-LPSW
APPROVED		SIZE:	A4	DWG NO.:	