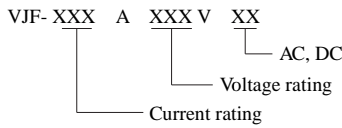




Ordering Information:



Description:

The VJF fuse combines the low I^2t of a semiconductor fuse and the branch circuit performance of a Class J fuse. This fuse was designed for the starting characteristics of solid state motor controllers. The VJF can provide branch circuit protection per NEC requirements, as well as very low I^2t for protection of power semiconductors such as Diodes, SCR's GTO's and SSR's.

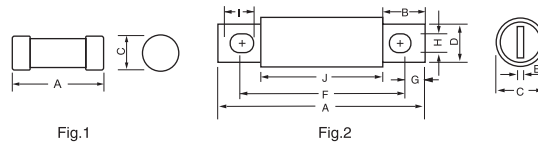
Features:

- . Designed according to UL248-8
- . Complying with CE, UL and RoHS
- . Fast acting, current limiting
- . Provide superior short circuit protection
- . Potential for future system expansion

Ratings:

Voltage Rating: 600V AC
500V DC
Current Rating: 1A-600A
Interrupt Rating: 200kA AC
100kA DC

Mechanical Dimensions:

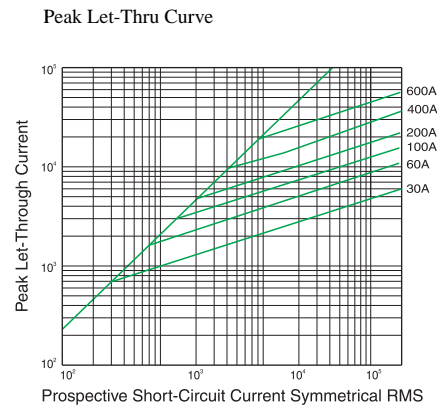
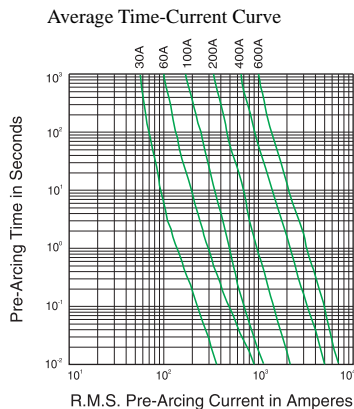


Ref.Fig.	Current Rating(A)	Mechanical Dimensions(mm)									
		A	B	C	D	E	F	G	H	I	J
1	1-30	57	-	21	-	-	-	-	-	-	-
1	31-60	60	-	27	-	-	-	-	-	-	-
2	61-100	118	25	29	19	3.2	92	13	7	10	67
2	101-200	146	34	41	29	4.8	111	18	7	10	76
2	201-400	181	47	54	41	6.3	133	24	10	14	86
2	401-600	203	53	67	51	9.5	152	25	14	18	95

Current Rating Information (Unit:A):

1	3	6	10	15	20	25	30	35	40	45	50	60	70	80
90	100	110	125	150	175	200	225	250	300	350	400	450	500	600

Electrical Characteristics:





Description

The Vicfuse 600V Class J blocks offer generous savings and enhanced value over previous generations, such as indication, snap-to-release DIN rail mounting and universal mounting holes.

Features/Benefits

- Space-saving design--up to 45% smaller than existing blocks
- Universal mounting holes for easy replacement
- Indication offered on all versions except 200-600A
- One hand release from DIN rail for ferrule style fuses
- Reinforced fuse clips are standard on all Class J blocks
- Covers available for 100A and lower to enhance safety

Specifications

Voltage Ratings: 600V
 Ampere Ratings:1-600A
 Leakage Current:<0.6mA at 600V
 Flammability Rating: UL94 V-0
 Apprvals Environmental: RoHS Compliant, Lead (Pb) Free

Recommended Fuses

Time Delay Series: VJT
 Fast Acting Series: VJF

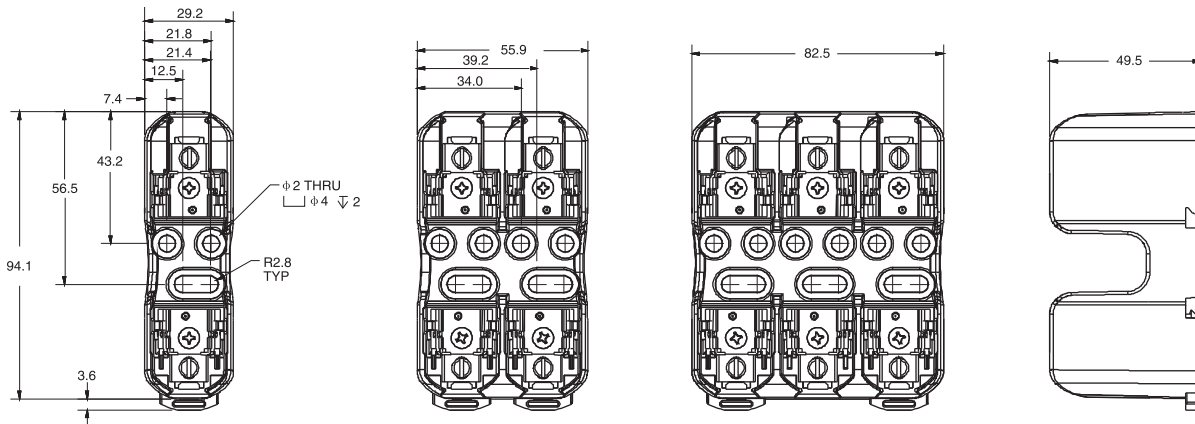
● **Ordering Information (Class J 600V);**

AMP RATING	POL-ES	ORDERING NUMBER				TORQUE	TERMI--NAL	WIRE RANGE (AWG)	WIRE TYPE	BAS W TEMP RATING	DIN RAIL MO--UNT	INDIC--ATION	COVER ORDERING NUMBER
		BASE PART NUMBER	SUFFIX										
			BOX LUG	PRESSUR-E PLATE	SCR--EW								
30	1	VFJ600301	CID	PID	SID	2.8N-m(25in-lbs)	C	6-14	CU Only	125°C	•	•	VFJ60030FBC
	2	VFJ600302	CID	PID	SID		P	10-14					
	3	VFJ600303	CID	PID	SID		S	10-22					
60	1	VFJ600601	CID	-	-	5.6N-m(50in-lbs) 2.8N-m(25in-lbs)	2-4 6-14	CU AL	125°C	•	•	VFJ60060FBC	
	2	VFJ600602	CID	-	-								
	3	VFJ600603	CID	-	-								
100	1	VFJ601001	CID	-	-	13.6N-m(120in-lbs) 4.5N-m(40in-lbs) 4.0N-m(35in-lbs)	2/0-6 8 10-14	CU AL	130°C	-	•	VFJ60100FBC	
	3	VFJ601003	CID	-	-								
200	1	VFJ602001	C	-	-	31.1N-m(275in-lbs)	250kcmil-6	CU AL	130°C	-	-	-	
	3	VFJ602003	C	-	-								
400	1	VFJ604001	C	-	-	31.1N-m(275in-lbs)	(2)350kcmil-1/0	CU AL	130°C	-	-	-	
	3	VFJ604003	C	-	-								
600	1	VFJ606001	C	-	-	42.4N-m(375in-lbs)	(2)500kcmil-4	CU AL	130°C	-	-	-	
	3	VFJ606003	C	-	-								

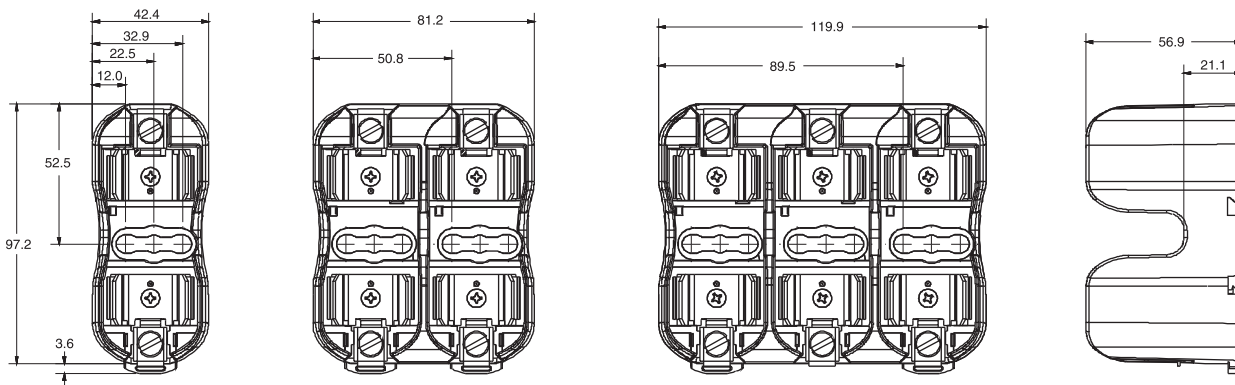
Note: Reinforcing springs standard on all Class J fuse blocks. *Covers sold individually. One cover needed for each pole.

● Dimension mm;

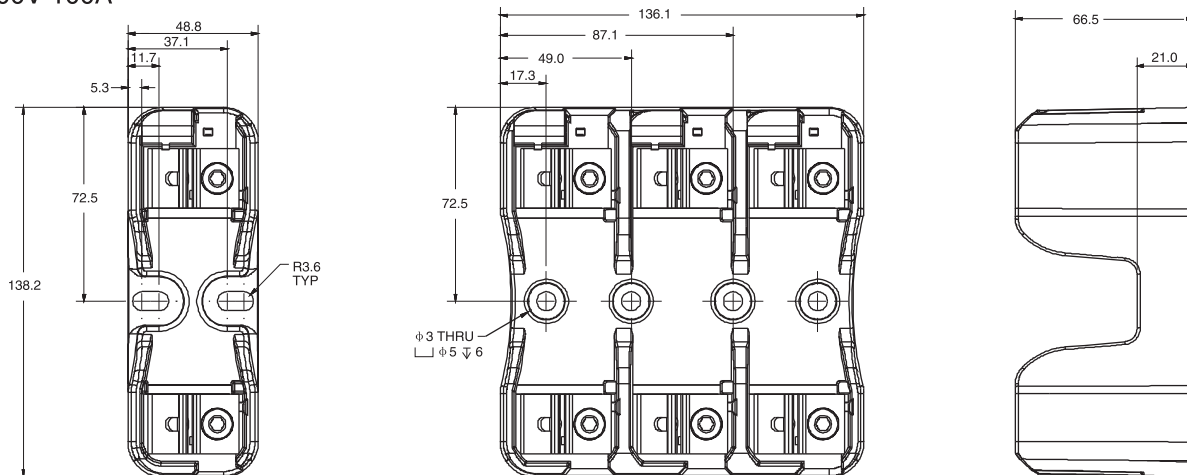
600V 30A



600V 60A

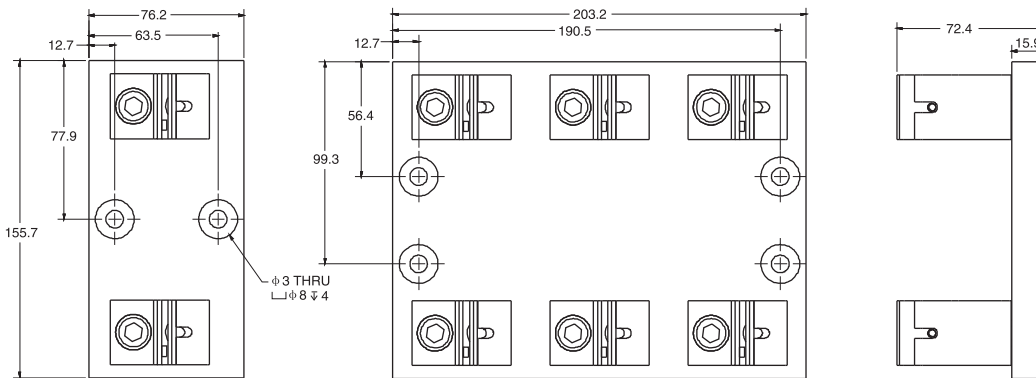


600V 100A

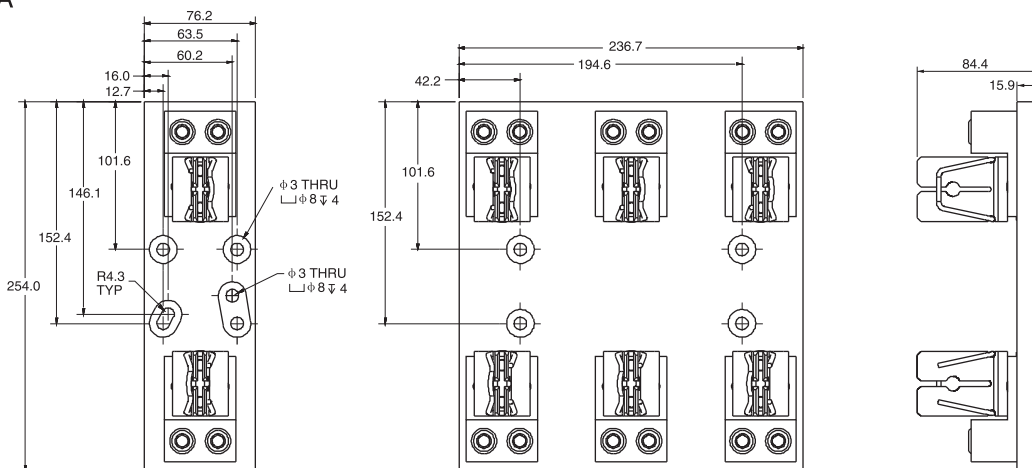


● Dimension mm;

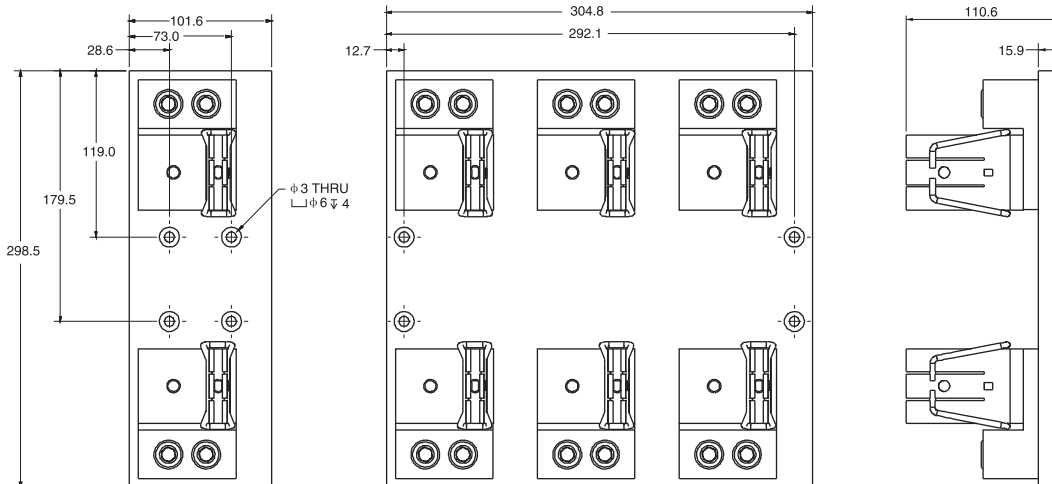
600V 200A

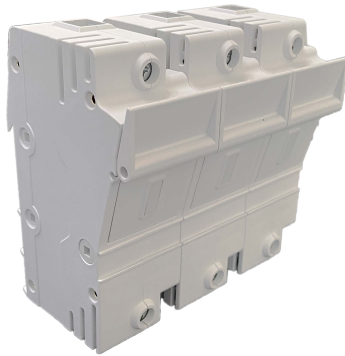


600V 400A



600V 600A





Description

Vicfuse Class J POWR-SAFE Dead Front holders provide optimum protection to personnel

Features

- Indicating and non-indicating options available
- IP20 degree of protection
- Small compact design offers ultimate flexibility
- 35mm DIN Rail Mountable
- 1-, 2-, and 3-pole configurations
- Easy installation and fuse removal with no additional pullers or tools required

Specifications

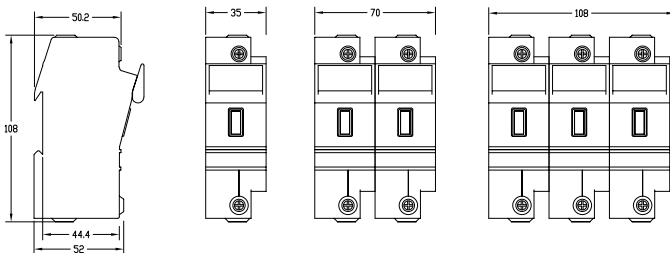
Voltage Ratings	600 Vac/dc
Interrupting Rating	200 kA
Ampere Rating	30 and 60 A
LEDs	110 V – 600 V
Terminal Type	Pressure Plate
Material	Thermoplastic
Flammability Rating	UL94 V-0
Terminal Screws	Phillips / Slotted
Environmental	RoHS compliant

Ordering Information

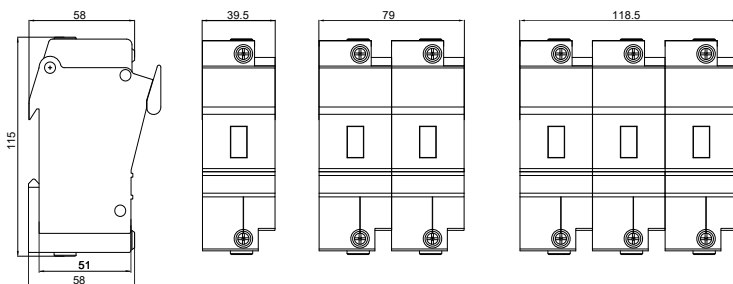
AMP	POLES	INDICATION	ORDERING NUMBER	PACK QTY.	WIRE TYPE	WIRE RANGE	TORQUE
30	1	-	VFPSJ301.Z	6	Stranded	0.75mm ² – 1mm ² 1.5mm ² – 50mm ² 18 – 1 AWG	2.5 N-m 4.0 N-m 35 lb-in
	2	-	VFPSJ302.Z	3			
	3	-	VFPSJ303.Z	2			
30	1	•	VFPSJ301.ZXID	6			
	2	•	VFPSJ302.ZXID	3			
	3	•	VFPSJ303.ZXID	2			
60	1	-	VFPSJ601.Z	6		2.5mm ² – 50mm ² 14 – 1 AWG	4.0 N-m 35 lb-in
	2	-	VFPSJ602.Z	3			
	3	-	VFPSJ603.Z	2			
60	1	•	VFPSJ601.ZXID	6			
	2	•	VFPSJ602.ZXID	3			
	3	•	VFPSJ603.ZXID	2			

Dimensions mm (inches)

30 Amp



60 Amp



Note: These dimensions are for reference only. Please contact factory for additional information.