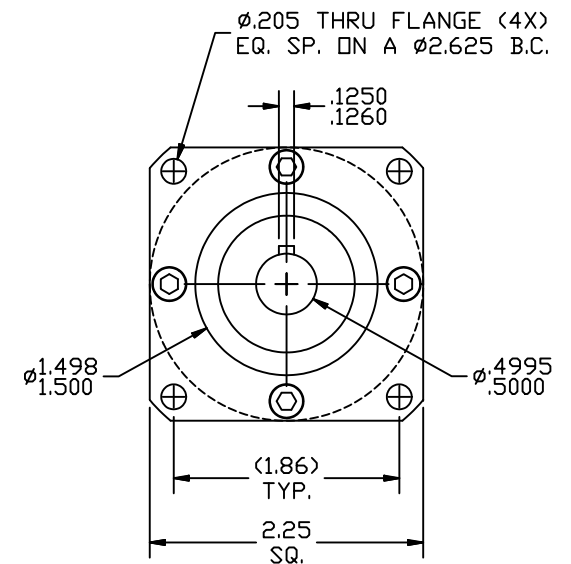
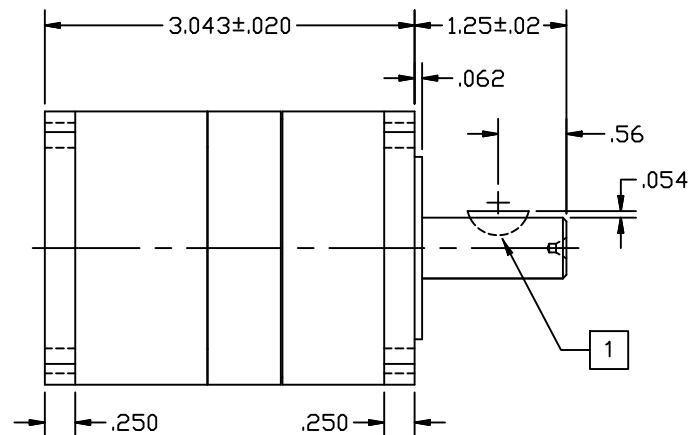
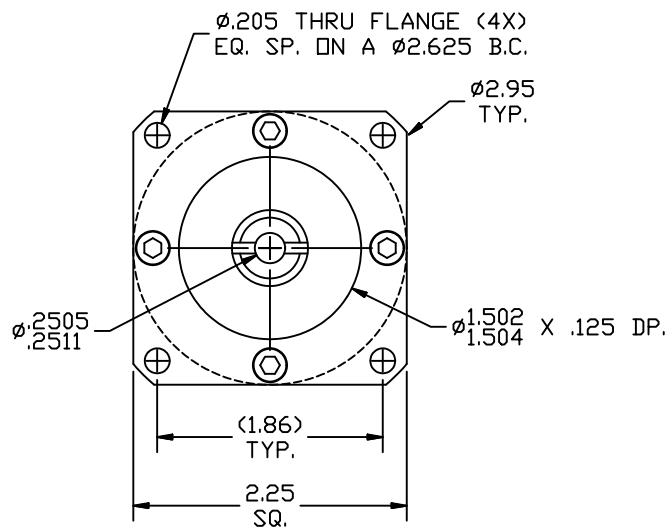


REVISIONS			
REV	DESCRIPTION	DATE	APPROVED
A	INITIAL RELEASE ECO 6709	2/22/13	J Kordik



NOTES: UNLESS OTHERWISE SPECIFIED

- 1 #404 WOODRUFF KEY.
2. 23PN010 RATIO- 10:1
3. FOR TECHNICAL DETAILS, CONTACT APPLIED MOTION PRODUCTS.

TOLERANCES	THIRD ANGLE PROJECTION	APPLIED MOTION PRODUCTS, INC.											
DECIMALS: [MM] INCH X.XXX = $\pm .005$ X.XX = $\pm [0.13].010$ X.X = $\pm [0.25].020$ ANGLES: MACH. = $\pm 5^\circ$ CHAM. = $\pm 5^\circ$		<b>OUTLINE, GEAR HEAD, PN23, 1 STAGE</b>											
COMPUTER DATA BASE DRAWING	<table border="1"> <tr> <td>APPROVALS</td> <td>DATE</td> </tr> <tr> <td>DRAWN <i>R. JONEZ</i></td> <td>2/22/13</td> </tr> <tr> <td>CHECKED</td> <td></td> </tr> <tr> <td>APPROVED</td> <td></td> </tr> </table>			APPROVALS	DATE	DRAWN <i>R. JONEZ</i>	2/22/13	CHECKED		APPROVED		<table border="1"> <tr> <td>B</td> <td>DWG NO. 23PN010</td> <td>REV A</td> </tr> </table>	B
APPROVALS	DATE												
DRAWN <i>R. JONEZ</i>	2/22/13												
CHECKED													
APPROVED													
B	DWG NO. 23PN010	REV A											
		SCALE: FULL	SHEET 1 OF 1										

# Mouser Electronics

Authorized Distributor

Click to View Pricing, Inventory, Delivery & Lifecycle Information:

[Applied Motion:](#)

[23PN010](#) [23PN010-LB](#)