

10 9 8 7 6 5 4 3 2 1

F

E

D

C

B

A

F

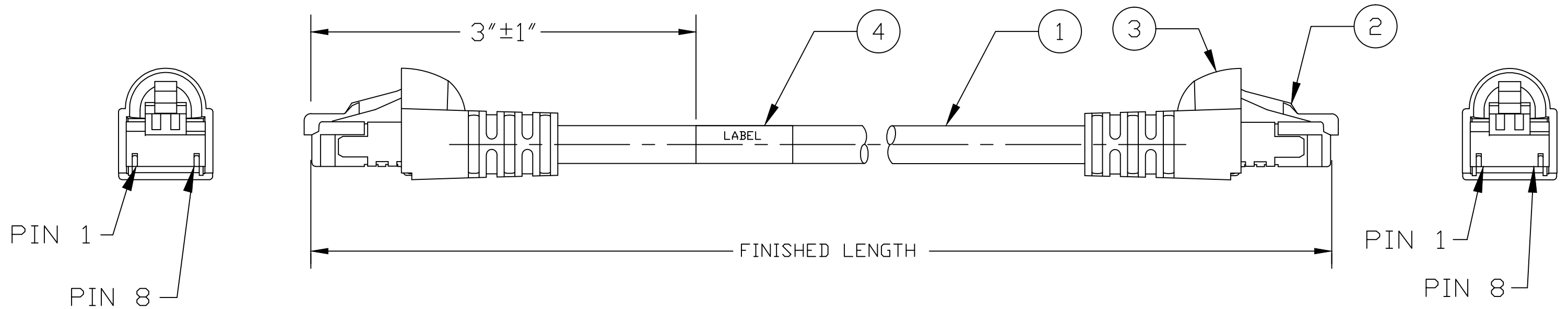
E

D

C

B

A

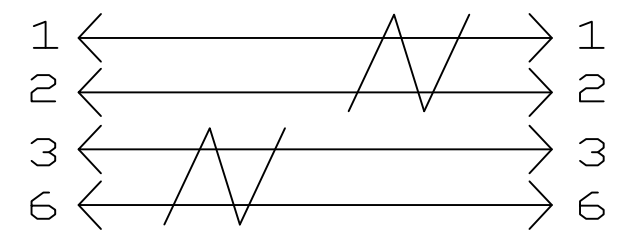


PART NUMBER LEGEND

(B)

E66A06004M005

LENGTH
M005= 0.5 X LENGTH
M010= 1.0 X LENGTH
M100= 10.0 X LENGTH



(B)

CABLE LENGTH TOLERANCES

>.3M [1FT]:	+19mm-0 [+.75in-0]
.3 - .9M [1 - 3FT]:	+44.5mm-0 [+1.75in-0]
.9 - 1.8M [3 - 6FT]:	+55.6mm-0 [+2.19in-0]
1.8 - 3.7M [6 - 12FT]:	+88.9mm-0 [+3.50in-0]
3.7 - 7.3M [12 - 24FT]:	+165.1mm-0 [+6.50in-0]
7.3-14.6M [24 - 48FT]:	+317.5mm-0 [+12.50in-0]
14.6 - 30.5M [48-100FT]:	+622.3mm-0 [+24.50in-0]
OVER 30M [100FT]	+2% OF FINISHED LENGTH

NOTES:

1. MATERIALS: AS NOTED
2. FINISHES: AS NOTED
3. PACKAGING: PARTS ARE PLACED IN CLEAR POLY BAG WITH BAR-CODE LABEL ATTACHED
4. TIA/EIA RATING: CAT 5E
5. TEMPERATURE RATING: -20°C TO 75°C
6. JACKET RESISTANCE: WELD SLAG, SUN & OIL

(B)

PART NO.	ENGINEERING NO.	FINISHED LENGTH
1201080687	E66A06004M005	0.5M [1'8"]
1201080557	E66A06004M010	1.0M [3'3"]
1201080561	E66A06004M100	10.0M [6'7"]

ITEM	QTY	COMPONENT	MATERIAL	FINISH
4	1	WRAP LABEL	VINYL	BLACK/YELLOW
3	2	BOOT (HOODED)	POLYOLEFIN	BLACK
2	2	RJ45 PLUG	PHOS BRNZ & PC	GOLD PLATE & CLEAR
1	1	CABLE, 24 AWG, 2 PAIR	TPE JACKET	TEAL

CORRECTED PIN LEGEND
EC NO: IPG2019-0537
DRWN: RSTONE 6/4/19
CHKD: C CHRAST 2019/06/06
APPR: BWOODMAN 2015/04/10

QUALITY SYMBOLS
▽=0
∇=0

GENERAL TOLERANCES (UNLESS SPECIFIED)

	mm	INCH
4 PLACES	±---	±---
3 PLACES	±---	±---
2 PLACES	±---	±.01
1 PLACE	±---	±---

ANGULAR ±---°

DRAFT WHERE APPLICABLE MUST REMAIN WITHIN DIMENSIONS

DIMENSION STYLE
INCH

DRAWN BY: RSTONE
DATE: 2015/04/06

CHECKED BY: B ARDEN
DATE: 2015/04/08

APPROVED BY: KJOZWIK
DATE: 2015/04/10

MATERIAL NO.: -

SIZE: **B**

SCALE: ---
DESIGN UNITS: **INCH**

THIRD ANGLE PROJECTION

TITLE: **MALE/MALE RJ45 CORDSET
2PR 10 BASE-T
24 AWG TEAL TPE CABLE**

MOLEX INCORPORATED

DOCUMENT NO.: **SD-120108-080**

SHEET NO.: **1 OF 1**

THIS DRAWING CONTAINS INFORMATION THAT IS PROPRIETARY TO MOLEX INCORPORATED AND SHOULD NOT BE USED WITHOUT WRITTEN PERMISSION

10 9 8 7 6 5 4 3 2 1