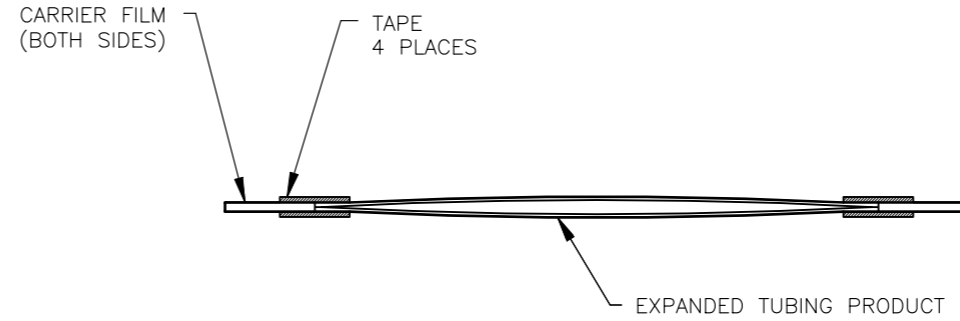
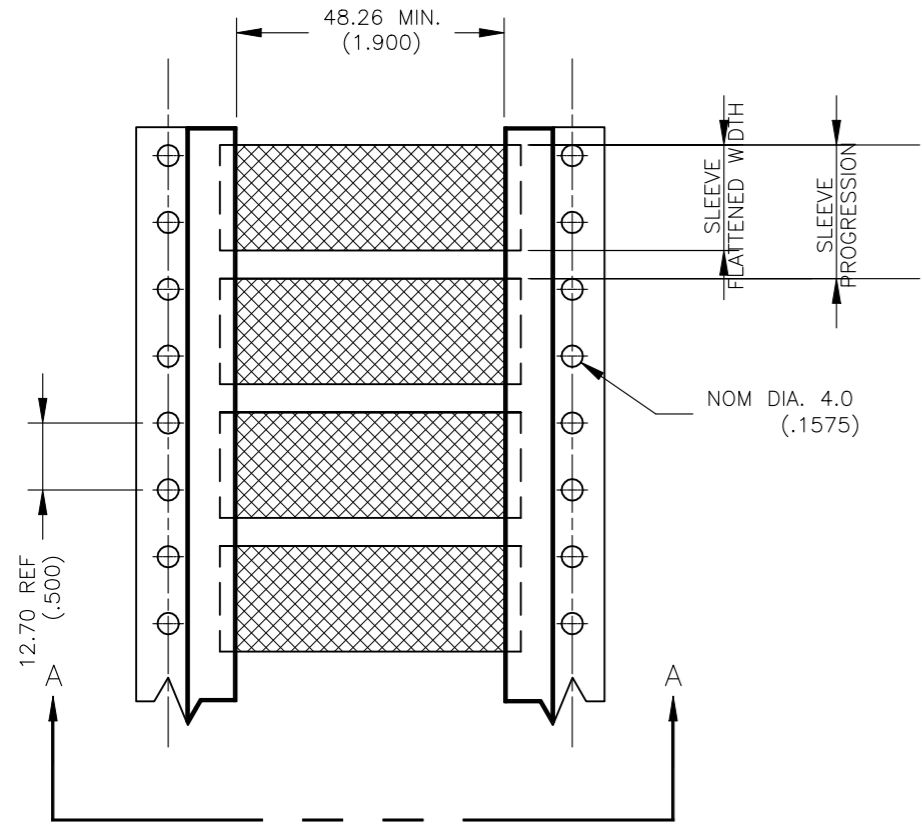
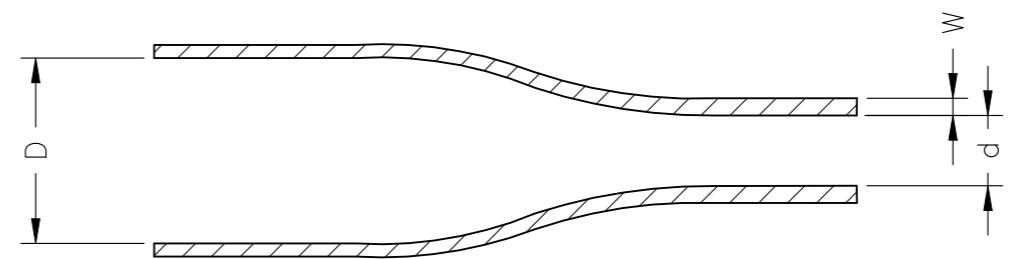
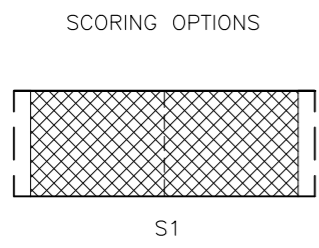


P	LTR	DESCRIPTION	DATE	DWN	APVD
	3	REVISED AS PER ECR-24-217957	16AUG2024	GH	AFK



Product Size	3/32	1/8	3/16	1/4	3/8	1/2	3/4	1	1-1/2
Minimum Sleeve Flattened Width	4.32 (.170)	5.84 (.230)	8.00 (.315)	10.7 (.420)	15.5 (.610)	20.4 (.804)	30.5 (1.200)	40.4 (1.590)	60.3 (2.37)
Nominal Sleeve Progression	12.70 (.500)	12.70 (.500)	12.70 (.500)	16.93 (.677)	25.40 (1.000)	29.63 (1.167)	42.33 (1.667)	50.80 (2.00)	71.96 (2.833)
"D" Minimum Supplied I.D.	2.36 (.093)	3.18 (.125)	4.76 (.1875)	6.35 (.250)	9.53 (.375)	12.7 (.500)	19.05 (.750)	25.40 (1.00)	38.10 (1.50)
"d" Maximum Recovered I.D.	0.79 (.0312)	1.58 (.0625)	2.36 (.0938)	3.18 (.1250)	4.75 (.1875)	6.35 (.250)	9.53 (.375)	12.70 (.500)	19.05 (.750)
"W" Recovered wall	0.38±0.08 (.015±.003)	0.38±0.08 (.015±.003)	0.38±0.08 (.015±.003)	0.38±0.08 (.015±.003)	0.38±0.08 (.015±.003)	0.38±0.08 (.015±.003)	0.38±0.08 (.015±.003)	0.43±0.10 (.017±.004)	0.43±0.10 (.017±.004)

DIMENSIONS IN MM (INCHES)



THIS DRAWING IS A CONTROLLED DOCUMENT.		DWN AFK CHK 28JAN2013	TE Connectivity				
DIMENSIONS: mm		APVD MA PRODUCT SPEC RW-2534 APPLICATION SPEC 411-121008				NAME UV-SCE	
		TOLERANCES UNLESS OTHERWISE SPECIFIED: 0 PLC ± - 1 PLC ± - 2 PLC ± - 3 PLC ± - 4 PLC ± - ANGLES ± -		SIZE A3	CAGE CODE 0198G	DRAWING NO C-MCD160009	RESTRICTED TO -
MATERIAL CROSSLINKED PVdF		FINISH -		WEIGHT VARIOUS		SCALE NTS	
CUSTOMER DRAWING				SHEET 1 OF 1		REV 3	