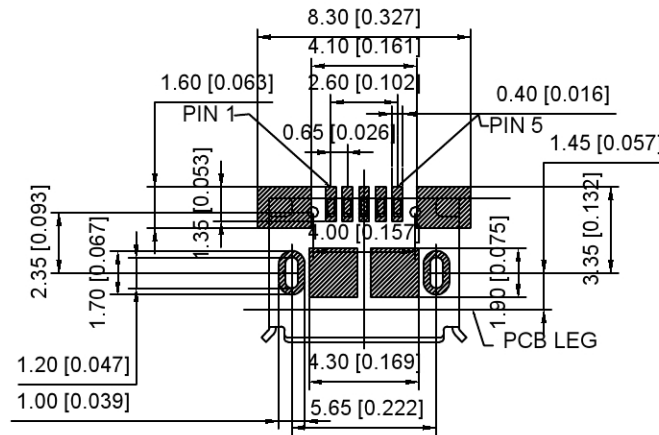
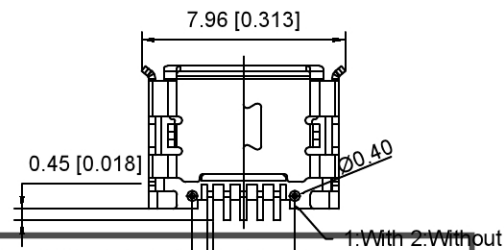
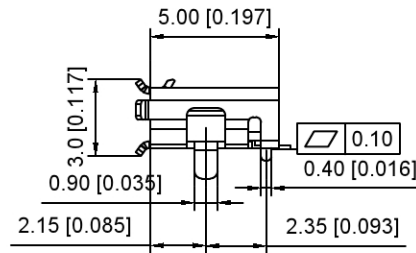
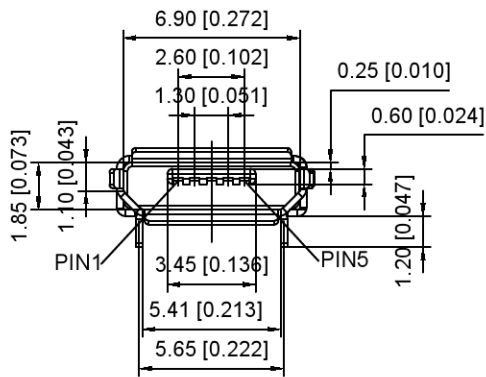


Material  
 Housing Material: LCP, UL94V-0, black  
 Contact Terminal: Copper Alloy  
 Metallic Shell: Sus  
 Electrical  
 Voltage Rating: 30 V AC  
 Current Rating: Signal (Pins 2,3,4): 1.0A, Power (Pins 1,5): 1.8A  
 Contact Resistance: 30mΩ Max  
 Insulation resistance: 1000MΩ Min  
 Dielectric withstanding voltage: 250V AC/Minute  
 Mechanical  
 Durability: 10,000 cycles  
 Mating Force: 35N (3.57Kgf) Max  
 Unmating Force: 8N (0.82Kgf) Min.



U254-05XX-4BH83-XXS  
 1:AU 1U"  
 6:AU 30U"  
 T:TIN  
 N:NICKEL  
 S:Sus  
 1:With 2:Without  
 S:Scrolls F:Flat

RECOMMENDED P.C.B. LAYOUT  
 TOP VIEW (TOLRANCE: ±0.05)

ANGLAR	±5°
L ≤ 4	±0.2
4 < L ≤ 16	±0.3
16 < L ≤ 63	±0.4
L > 63	±0.5
UNSPECIFIED TOLERANCES	

DSND	DATE	SCALE: N/A	MODEL TYPE:
DWN	DATE	VIEW:	MICRO USB
CHKD	DATE	UNIT: mm/in	PART NO.:
APPD	DATE	SIZE: A4	DWG NO.:
			U254-05XX-4BH83-SXS
		WEIGHT	SHEET
		1.0g	1/1
		REVISION	
		A0	

广东星瑞科技股份有限公司

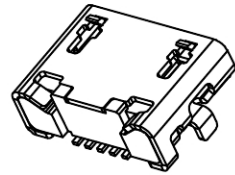
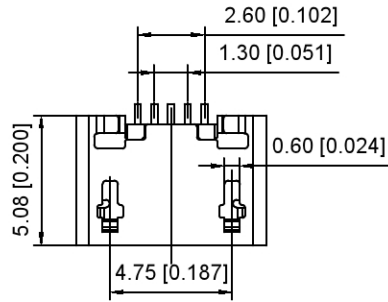
生 日期  
 日期

文件工程章

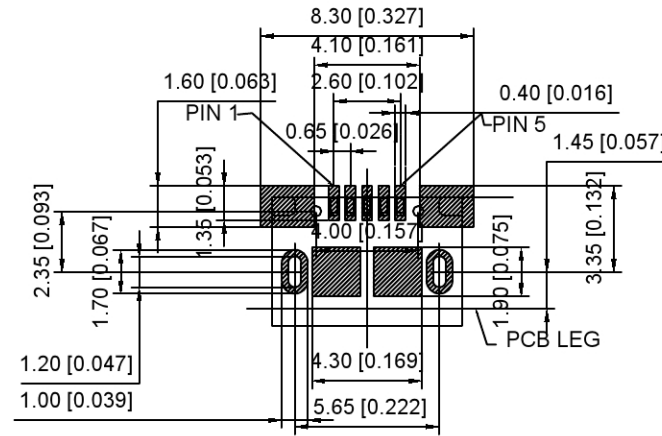
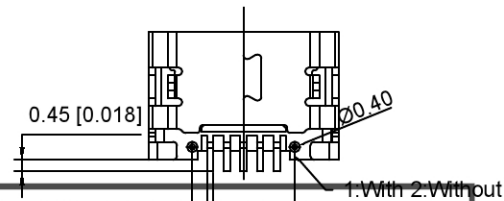
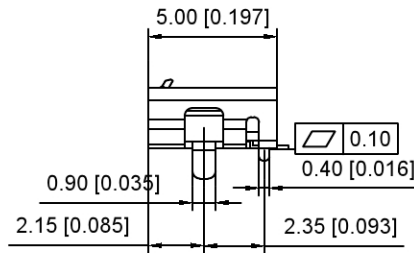
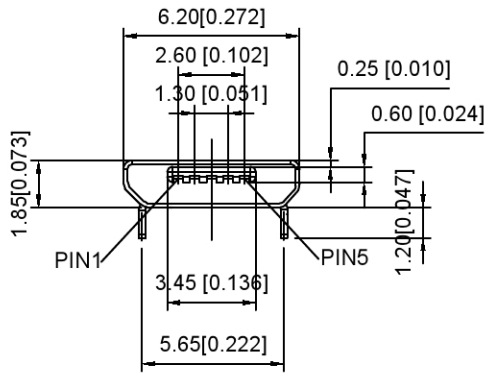
REVISIONS

www.xkcg.cn www.helloxkb.com www.helloxkb.cn

XKB INDUSTRIAL PRECISION CO., LIMITED



Material  
 Housing Material: LCP, UL94V-0, black  
 Contact Terminal: Copper Alloy  
 Metallic Shell: Sus  
 Electrical  
 Voltage Rating: 30 V AC  
 Current Rating: Signal (Pins 2,3,4): 1.0A, Power (Pins 1,5): 1.8A  
 Contact Resistance: 30mΩ Max  
 Insulation resistance: 1000MΩ Min  
 Dielectric withstanding voltage: 250V AC/Minute  
 Mechanical  
 Durability: 10,000 cycles  
 Mating Force: 35N (3.57Kgf) Max  
 Unmating Force: 8N (0.82Kgf) Min.



U254-05XX-4BH83-XXS  
 1:AU 1U"  
 6:AU 30U"  
 T:TIN  
 N:NICKEL  
 S:Sus  
 1:With 2:Without  
 S:Scrolls F:Flat

RECOMMENDED P.C.B. LAYOUT  
 TOP VIEW (TOLRANCE: ±0.05)

广东星瑞科技股份有限公司

生 日期  
 日期

文件工程章

REVISIONS

www.xkcg.cn www.helloxkb.com www.helloxkb.cn

UNSPECIFIED TOLERANCES

DSND	DATE	SCALE: N/A	MODEL TYPE:
DWN	DATE	VIEW:	MICRO USB
CHKD	DATE	UNIT: mm/in	PART NO.:
APPD	DATE	SIZE: A4	DWG NO.:
			U254-05XX-4BH83-FXS
		WEIGHT	SHEET
		1.0g	1/1
		REVISION	
		A0	

XKB INDUSTRIAL PRECISION CO., LIMITED