

# CP QPD 4X2,5 - Coding profile

1425950

<https://www.phoenixcontact.com/us/products/1425950>

Please be informed that the data shown in this PDF document is generated from our online catalog. Please find the complete data in the user documentation. Our general terms of use for downloads are valid.



Coding profile red, for pushing into the QUICKON dome and connector, can be positioned in 90° steps.

## Commercial data

|                                      |                     |
|--------------------------------------|---------------------|
| Item number                          | 1425950             |
| Packing unit                         | 10 pc               |
| Minimum order quantity               | 10 pc               |
| Sales key                            | BF50                |
| Product key                          | BF6ZWX              |
| Catalog page                         | Page 488 (C-2-2019) |
| GTIN                                 | 4055626435237       |
| Weight per piece (including packing) | 0.36 g              |
| Weight per piece (excluding packing) | 0.35 g              |
| Customs tariff number                | 39269097            |
| Country of origin                    | PL                  |

# CP QPD 4X2,5 - Coding profile

1425950

<https://www.phoenixcontact.com/us/products/1425950>



## Technical data

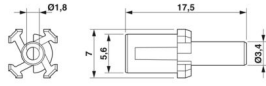
### Product properties

|                |                |
|----------------|----------------|
| Product type   | Coding element |
| Product family | QPD            |

### Material specifications

|  |                |
|--|----------------|
| Color                                  | red (RAL 3001) |
| Material                               | PA             |
| Flammability rating according to UL 94 | V0             |

### Dimensions

|                     |  |
|---------------------|--|
| Dimensional drawing |  |
| Width               | 7 mm   |
| Height              | 7 mm   |
| Length              | 17.5 mm  |

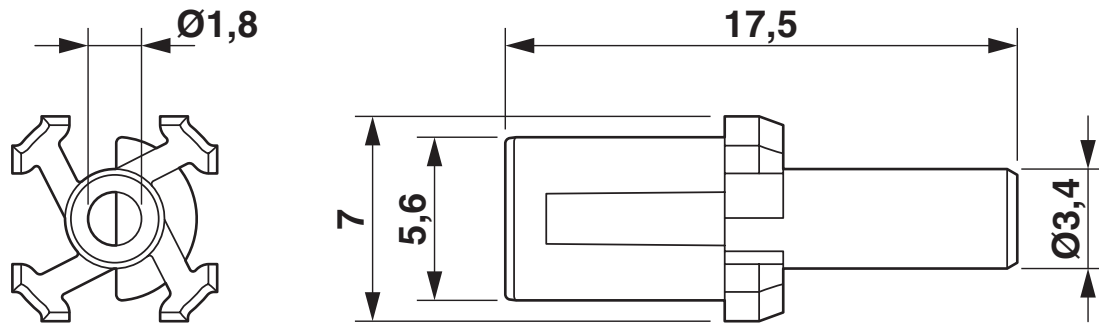
# CP QPD 4X2,5 - Coding profile

1425950

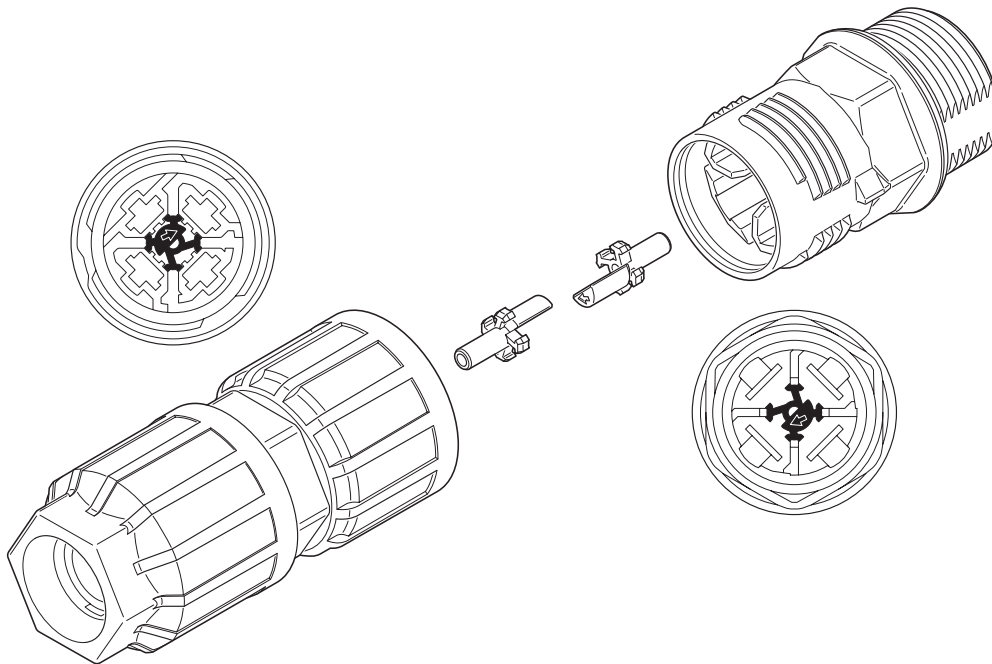
<https://www.phoenixcontact.com/us/products/1425950>

## Drawings

Dimensional drawing



Schematic diagram



Coding of the QUICKON plug-in connection

# CP QPD 4X2,5 - Coding profile



1425950

<https://www.phoenixcontact.com/us/products/1425950>

## Classifications

### ECLASS

|             |          |
|-------------|----------|
| ECLASS-11.0 | 27440203 |
| ECLASS-12.0 | 27440203 |
| ECLASS-13.0 | 27440203 |

### ETIM

|          |          |
|----------|----------|
| ETIM 9.0 | EC002311 |
|----------|----------|

### UNSPSC

|             |          |
|-------------|----------|
| UNSPSC 21.0 | 39121400 |
|-------------|----------|

# CP QPD 4X2,5 - Coding profile



1425950

<https://www.phoenixcontact.com/us/products/1425950>

## Environmental product compliance

### EU RoHS

|   |                    |
|---|--------------------|
| Fulfills EU RoHS substance requirements | Yes, No exemptions |
|---|--------------------|

### China RoHS

|  |  |
|--|--|
| Environment friendly use period (EFUP) | EFUP-E                                   |
|  | No hazardous substances above the limits |

### EU REACH SVHC

|                                     |                            |
|-------------------------------------|----------------------------|
| REACH candidate substance (CAS No.) | No substance above 0.1 wt% |
|-------------------------------------|----------------------------|

Phoenix Contact 2024 © - all rights reserved  
<https://www.phoenixcontact.com>

Phoenix Contact USA  
586 Fulling Mill Road  
Middletown, PA 17057, United States  
(+717) 944-1300  
[info@phoenixcon.com](mailto:info@phoenixcon.com)