

# CORSAIR

**ELECTRICAL CONNECTORS**

## MIL-DTL-38999, SERIES I, II & III CIRCULAR CONNECTORS



## MIL-DTL-5015 SERIES II & III CIRCULAR CONNECTORS



## MIL-DTL-26482 SERIES 2 CIRCULAR CONNECTORS



## AIRCRAFT EXTERNAL POWER RECEPTACLES

MS90362



MS3506-1



## CORSAIR ELECTRICAL CONNECTORS

17100 Murphy Ave. | Irvine, California 92614

Phone: 949-833-0273 | Fax: 949-833-0280 | Web: [www.corsairelectricalconnectors.com](http://www.corsairelectricalconnectors.com)

## Welcome to Corsair Electrical Connectors



Located in Irvine, California, we offer a “total concept” organizational interface to serve our customers with “on time” quality products. The principle management team has over 75 years of engineering and manufacturing experience in the connector field. This “know how” is particularly strong in those connector applications utilized by our Military, Commercial Aircraft, and the Aerospace Industry.

Our company name and logo was chosen as a reflection of the success, reliability, performance of the renowned F4U fighter, and our commitment to customer service.

We look forward to the opportunity to serve you with our qualified products.

### The Vought F4U Corsair



This famous World War II fighter was first ordered by the Navy in June 1938, and also saw active service during the Korean War. There were over 12,500 aircraft manufactured, with production ending in January 1952. It was easily recognizable by its unique inverted gull wing, necessary for sufficient ground clearance required by the large propeller.

Over the years, seven configurations were manufactured, designated F4U through F4U-7. The aircraft saw service with Navy and Marine squadrons, and was also utilized by the Royal Navy, where various modifications were made to improve the aircraft for carrier use.

A few are still flying in the hands of enthusiasts, or on display at various air museums, including the Smithsonian.

#### BASIC SPECIFICATIONS

##### Dimensions

Length: 33 feet, 8 inches  
Wingspan: 40 feet, 11 inches  
Height: 14 feet, 9 inches

##### Armament

Six of 50 caliber machine guns.  
Optional eight rockets, or 2000 lb  
bomb load

##### Performance

Max speed: 446 mph  
Range: 2005 miles  
Weight (empty): 9205 lbs.

##### Powerplant

Pratt & Whitney R-2800-18W  
Double Wasp engine  
2450 hp output

# **TABLE OF CONTENTS**

## **MILITARY CIRCULAR CONNECTORS**

**MIL-DTL-38999, SERIES I (MS274\*\* SERIES).....Pages 3 to 9**

Utilizes Rear Release contact retention, in 9 shell sizes (9 to 25), in a variety of insert arrangements and contact sizes, (22D, 22M, 22, 16, 12, 8, 4 and 0 gage). Bayonet coupling mechanism, Scoop Proof: polarization accomplished by Shell rotation.

**MIL-DTL-38999, SERIES II (MS274\*\* SERIES).....Pages 10 to 20**

Utilizes Rear release contact retention, in 9 shell sizes (8 to 24), in a variety of insert arrangements and contact sizes, (22D, 22M, 22, 16, 12, 8, 4 and 0 gage). Bayonet coupling mechanism, Scoop Proof: polarization accomplished by Shell rotation.

**MIL-DTL-38999, (SERIES III) .....Pages 21 to 38**

Utilizes Rear release contact retention, in 9 shell sizes (A to J), in a variety of insert arrangements and contact sizes, (22D, 22M, 22, 16, 12, 8, 4 and 0 gage). Triple Start Threaded coupling mechanism: polarization accomplished by Shell rotation.

**AS50151 (MIL-DTL-5015) II (MS3400 SERIES).....Pages 39 to 60**

Utilizes Front Release contact retention, in 12 shell sizes (8 to 40), in a variety of insert arrangements and contact sizes, (16, 12, 8, and 4 gage). Threaded coupling mechanism: polarization accomplished by insert rotation.

# **TABLE OF CONTENTS**

## **MILITARY CIRCULAR/RECTANGULAR CONNECTORS**

### **AS50151 (MIL-DTL-5015) II (MS3450 SERIES).....Pages 61 to 81**

Utilizes Rear Release contact retention, in 12 shell sizes (8 to 40), in a variety of insert arrangements and contact sizes, (16, 12, 8, and 4 gage). Threaded coupling mechanism: polarization accomplished by insert rotation.

### **MIL-DTL-26482 2 (MS3470 SERIES).....Pages 82 to 90**

Utilizes Rear Release contact retention, in 9 shell sizes (8 to 24), in a variety of insert arrangements and contact sizes, (20, 16 and 12 gage). Bayonet coupling mechanism: polarization accomplished by insert rotation.

### **AIRCRAFT EXTERNAL POWER RECEPTACLES.....Pages 91 to 95**

MS 90362 Series Connector Receptacle, Aircraft, External power, Shield and Cover Included. 115 / 200 Volt, 400 Hertz, 6 pin  
MS 3505 Cover for use with MS 90362-1 and MS 90362-4  
MS 17845 Shield for use with MS 90362 Series  
MS 3506-1 Connector Receptacle, Aircraft, External power, 28 Volt DC operating power, 3 pin

## **SUPPORTING INFORMATION**

### **CONTACT AND ASSEMBLY TOOLING INFORMATION .....Pages 96 to 101**

### **APPLICABLE MANUFACTURING PROCESS FINISHES .....Pages 102 to 103**



# MIL-DTL-38999

SERIES I



MILITARY PREFIX      MS27      466      A      25      A      16      P      W

CORSAIR PREFIX      CJ08      66      A      25      A      16      P      W

**CONNECTOR CONFIGURATION**

- 27466 (66) RECEPTACLE, WALL MOUNT
- 27467 (67) PLUG, STANDARD
- 27468 (68) RECEPTACLE, JAM NUT MOUNT
- 27496 (96) RECEPTACLE, BOX MOUNT
- 27505 (05) RECEPTACLE, BACK PANEL BOX MTG
- 27656 (56) RECEPTACLE, BACK PANEL WALL MOUNT

**CLASS**

- E ENVIRONMENTAL RESISTING-BOX AND THRU-BULKHEAD MOUNTING RECEPTACLE TYPES
- T ENVIRONMENTAL RESISTING-BOX AND JAM NUT MOUNTING RECEPTACLE AND PLUG TYPES

**SHELL SIZE**

9, 11, 13, 15, 17, 19, 21, 23 AND 25

**FINISHES**

- A SILVER/YELLOW CADMIUM OVER NICKEL (CONDUCTIVE)
- B OLIVE DRAB CADMIUM OVER A SUITABLE UNDERPLATE (CONDUCTIVE)
- C ANODIC (NON CONDUCTIVE)
- F ELECTROLESS NICKEL (CONDUCTIVE)
- T NICKEL FLOUROCARBON POLYMER (CONDUCTIVE)
- Z ZINC NICKEL (CONDUCTIVE)

**INSERT ARRANGEMENT**

REFER TO LAYOUT PATTERNS PER MIL-DTL-1560

**CONTACT TYPE**

- P PIN
- S SOCKET
- A CONNECTOR LESS PINS
- B CONNECTOR LESS SOCKETS

**POLARIZATION**

N NORMAL (NOT INCLUDED IN PART NUMBER)  
 W, X, Y, OR Z ALTERNATE POSITIONS, REFER TO POLARIZATION CHART

**GENERAL SPECIFICATIONS**

REAR RELEASE CONTACT RETENTION SYSTEM. 9 SHELL SIZES (9 TO 25) IN OVER 150 INSERT ARRANGEMENTS UTILIZING CONTACT SIZES 22D, 20, 16, 12, 8, 4, AND 0 GAGE CRIMP CONTACTS PER AS39029. USES BAYONET COUPLING MECHANISM. ACCEPTS AS85049 BACKSHELLS

USES HIGH RELIABILITY METAL CONTACT RETENTION CLIPS

**OPERATING TEMPERATURE RANGE:**

ALUMINIUM: -65° C TO 175° C  
 STAINLESS STEEL: -65° C TO 200° C

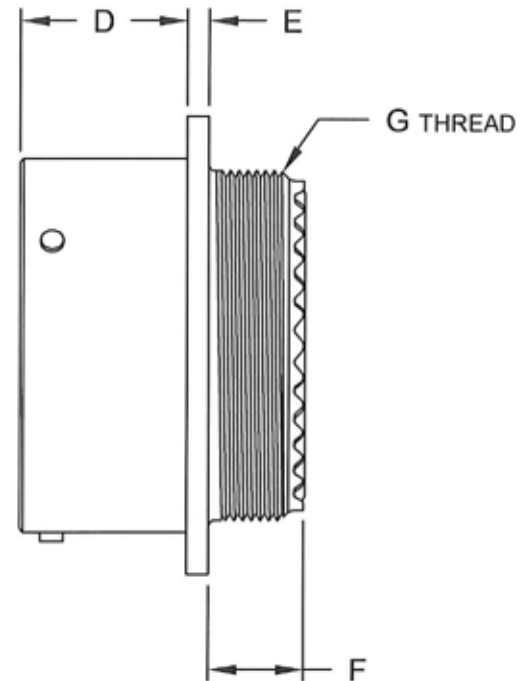
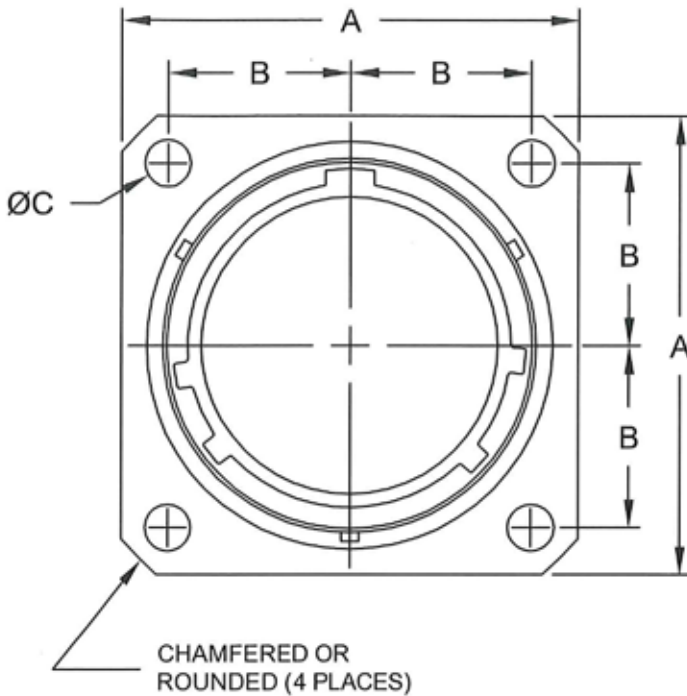
ENVIRONMENTAL FLOUROSILOXONE ELASTOMERS

REFER TO ADDITIONAL CONTACT AND TOOLING INFORMATION

<p>TOLERANCE</p> <p>XX ± .010</p> <p>.XXX ± .005</p> <p>ANGLES ± 1°</p>	<p>TITLE</p> <p>MIL-DTL-38999, REAR RELEASE, SERIES I, CORSAIR PART NUMBER CROSS REFERENCE</p>	<p>SHEET</p> <p>1 OF 1</p>	<p>DWG. NO.</p> <p>M38999</p>	<p>REV</p> <p>-</p>
<p><a href="http://www.corsairelectricalconnectors.com">http://www.corsairelectricalconnectors.com</a> (949) 833-0273</p>				

# MS27466

MIL-DTL-38999 SERIES I



Shell Size	G Thread Class 2A	A Max.	B	C Dia. +.010 -.005	D +.000 -.005	E +.015 -.000	F (Class E) Max.	F (Class P) Max.	F (Class T) Max.
9	.4375-28 UNEF	.938	.3595	.128	.632	.085	.531	.953	.531
11	.5625-24 UNEF	1.031	.406	.128	.632	.085	.531	.953	.531
13	.6875-24 UNEF	1.125	.453	.128	.632	.085	.531	.953	.531
15	.8125-20 UNEF	1.219	.4845	.128	.632	.085	.531	.953	.531
17	.9375-20 UNEF	1.312	.531	.128	.632	.085	.531	.953	.531
19	1.0625-18 UNEF	1.438	.578	.128	.632	.085	.531	.953	.531
21	1.1875-18 UNEF	1.562	.625	.128	.602	.115	.531	1.047	.531
23	1.3125-18 UNEF	1.688	.6875	.147	.602	.115	.531	1.047	.531
25	1.4375-18 UNEF	1.812	.750	.147	.602	.115	.531	1.156	.531

TOLERANCE  
XX ± .010  
.XXX ± .005  
ANGLES ± 1°

TITLE  
CONNECTORS, ELECTRICAL, RECEPTACLE, WALL MOUNT,  
FLANGE, BAYONET COUPLING, CRIMP CONTACTS,  
MIL-DTL-38999, SERIES I

SHEET  
1 OF 1

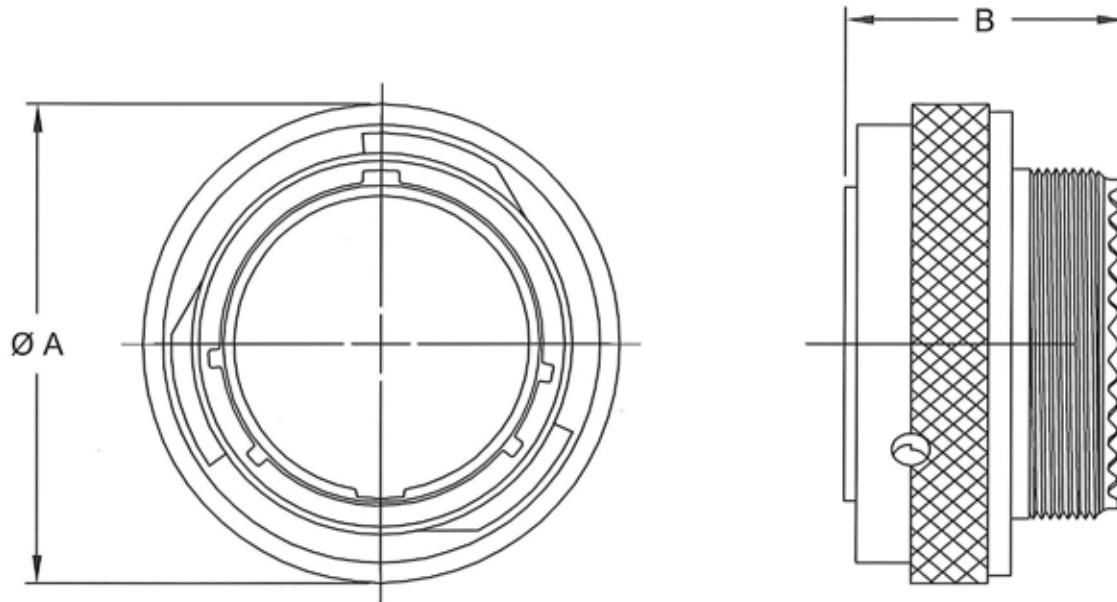
DWG. NO.  
MS27466

REV  
-

<http://www.corsairelectricalconnectors.com> (949) 833-0273

# MS27467

MIL-DTL-38999 SERIES I



Shell Size	A Dia. Max.	B (Class E)	B (Class P)	B (Class T)
9	.859	1.234	1.671	1.234
11	.984	1.234	1.671	1.234
13	1.156	1.234	1.671	1.234
15	1.281	1.234	1.671	1.234
17	1.406	1.234	1.671	1.234
19	1.516	1.234	1.671	1.234
21	1.641	1.234	1.766	1.234
23	1.766	1.234	1.766	1.234
25	1.891	1.234	1.766	1.234

TOLERANCE  
 XX ± .010  
 .XXX ± .005  
 ANGLES ± 1°

TITLE  
 CONNECTORS, ELECTRICAL, PLUG, STRAIGHT, BAYONET  
 COUPLING, CRIMP CONTACTS, SERIES I, MIL-DTL-38999

SHEET  
 1 OF 1

DWG. NO.  
 MS27467

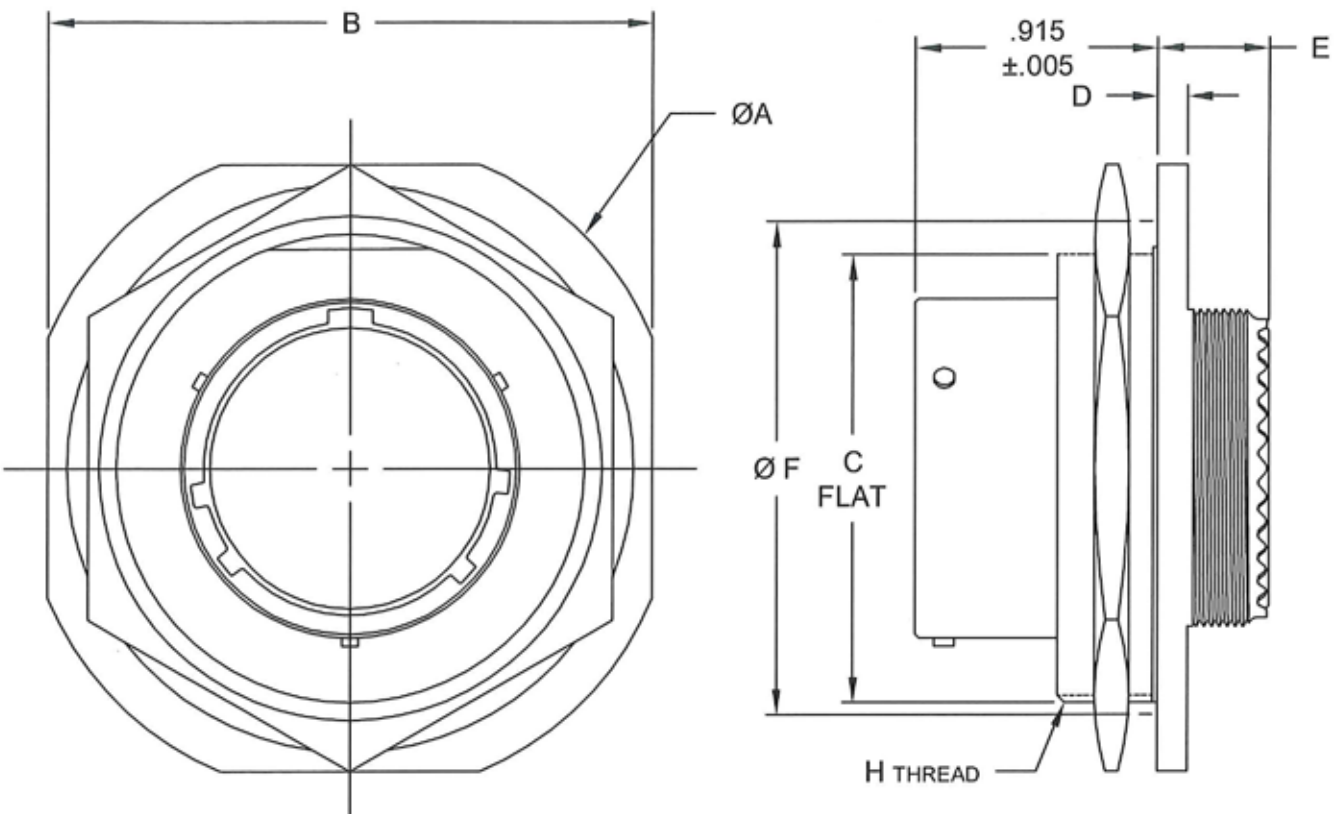
REV

-

<http://www.corsairelectricalconnectors.com> (949) 833-0273

# MS27468

MIL-DTL-38999 SERIES I



Shell Size	H Thread Class 2A Plated	A Dia. ±.016	B ±.016	C +.000 -.010	D +.011 -.010	E (Class E) Max.	E (Class P) Max.	E (Class T) Max.	F Dia. +.006 -.005
9	.6875-24 UNEF	1.188	1.062	.655	.109	.328	.438	.328	.777
11	.8125-20 UNEF	1.375	1.250	.755	.109	.328	.438	.328	.965
13	1.0000-18 UNEF	1.500	1.375	.942	.109	.328	.438	.328	1.090
15	1.1250-18 UNEF	1.625	1.500	1.066	.109	.328	.438	.328	1.215
17	1.2500-18 UNEF	1.750	1.625	1.191	.109	.328	.438	.328	1.340
19	1.3750-18 UNEF	1.938	1.812	1.316	.140	.328	.469	.328	1.449
21	1.5000-18 UNEF	2.062	1.938	1.441	.140	.328	.469	.328	1.574
23	1.6250-18 UNEF	2.188	2.062	1.566	.140	.328	.469	.328	1.699
25	1.7500-18 UNS	2.312	2.188	1.691	.140	.328	.469	.328	1.824

TOLERANCE  
 XX ± .010  
 .XXX ± .005  
 ANGLES ± 1°

TITLE  
 CONNECTORS, ELECTRICAL, RECEPTACLE, JAM NUT,  
 MOUNTING, BAYONET COUPLING, CRIMP CONTACTS,  
 MIL-DTL-38999, SERIES I

SHEET  
 1 OF 1

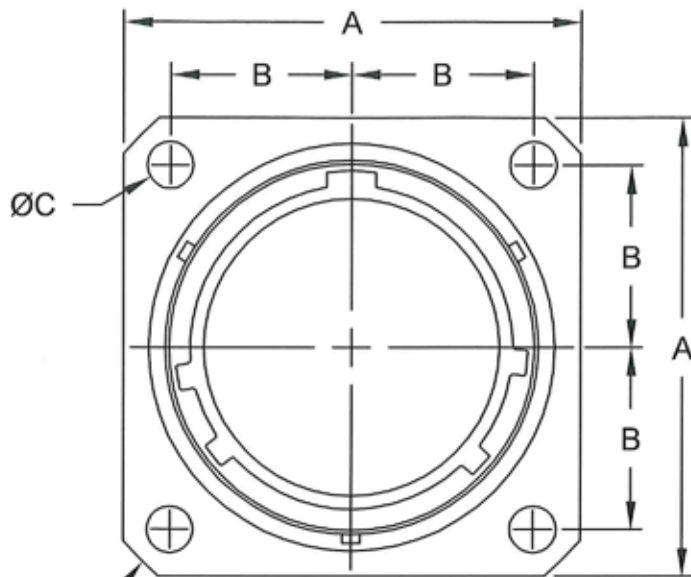
DWG. NO.  
 MS27468

REV  
 -

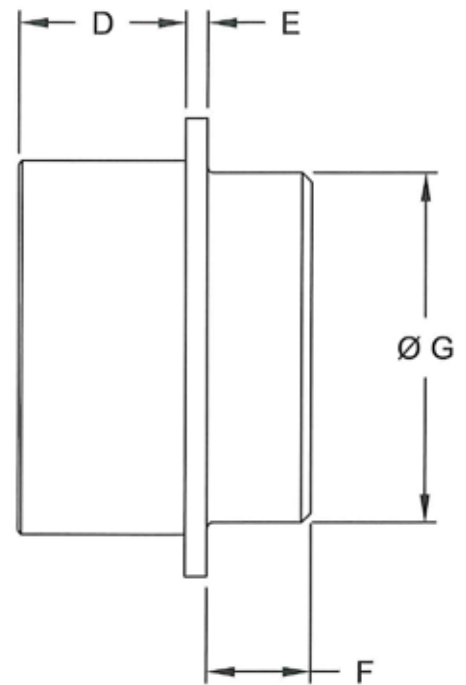
<http://www.corsairelectricalconnectors.com> (949) 833-0273

# MS27496

MIL-DTL-38999 SERIES I



CHAMFERED OR  
ROUNDED (4 PLACES)



Shell Size	A ±.020	B	C Dia. +.010 -0.005	D +.000 -.005	E +.015 -.000	F Max.	G Dia. Max.
9	.938	.3595	.128	.632	.085	.312	.469
11	1.031	.406	.128	.632	.085	.312	.594
13	1.125	.453	.128	.632	.085	.312	.719
15	1.219	.4845	.128	.632	.085	.312	.844
17	1.312	.531	.128	.632	.085	.312	.969
19	1.438	.578	.128	.632	.085	.312	1.078
21	1.562	.625	.128	.602	.115	.312	1.203
23	1.688	.6875	.147	.602	.115	.312	1.328
25	1.812	.750	.147	.602	.115	.312	1.453

TOLERANCE  
XX ± .010  
.XXX ± .005  
ANGLES ± 1°

TITLE  
CONNECTORS, ELECTRICAL, RECEPTACLE, BOX MOUNT,  
FLANGE, BAYONET COUPLING, CRIMP CONTACTS,  
MIL-DTL-38999, SERIES I

SHEET  
1 OF 1

DWG. NO.  
MS27496

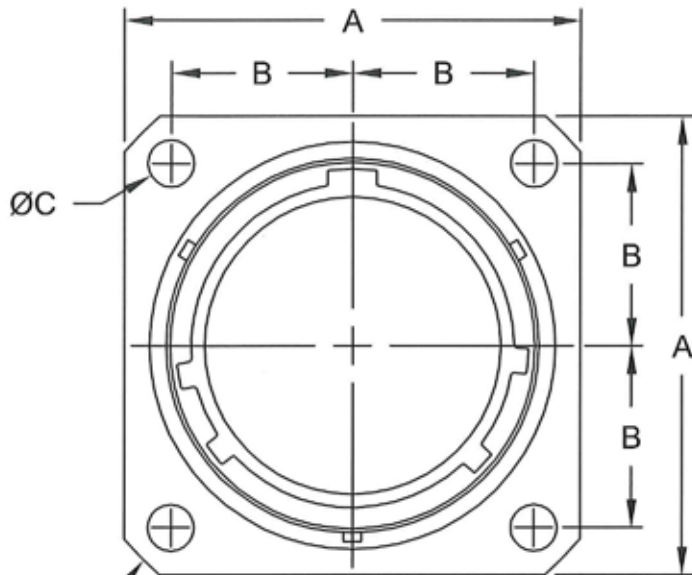
REV

-

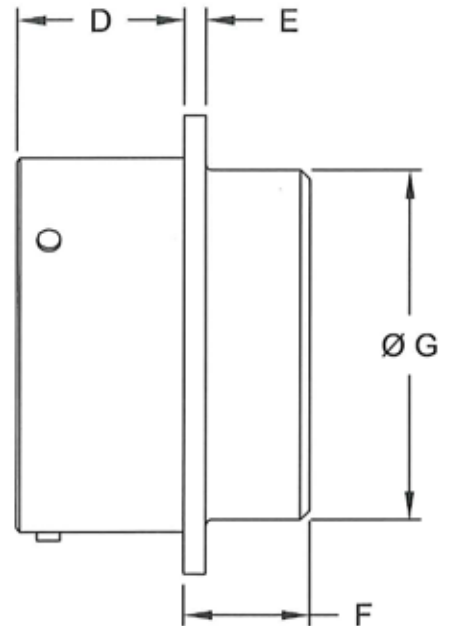
<http://www.corsairelectricalconnectors.com> (949) 833-0273

# MS27505

MIL-DTL-38999 SERIES I



CHAMFERED OR  
ROUNDED (4 PLACES)



Shell Size	A ±.020	B	C Dia. +.010 -0.005	D +.000 -.005	E +.015 -.000	F Max.	G Dia. Max.
9	.938	.3595	.128	.820	.085	.219	.547
11	1.031	.406	.128	.820	.085	.219	.656
13	1.125	.453	.128	.820	.085	.219	.828
15	1.219	.4845	.128	.820	.085	.219	.953
17	1.312	.531	.128	.820	.085	.219	1.078
19	1.438	.578	.128	.820	.085	.219	1.203
21	1.562	.625	.128	.790	.115	.250	1.328
23	1.688	.6875	.128	.790	.115	.250	1.453
25	1.812	.750	.147	.790	.115	.250	1.578

TOLERANCE  
XX ± .010  
.XXX ± .005  
ANGLES ± 1°

TITLE  
CONNECTORS, ELECTRICAL, RECEPTACLE, BACK PANEL,  
BOX MOUNT, FLANGE, BAYONET COUPLING, CRIMP  
CONTACTS, MIL-DTL-38999, SERIES I

SHEET  
1 OF 1

DWG. NO.  
MS27505

REV

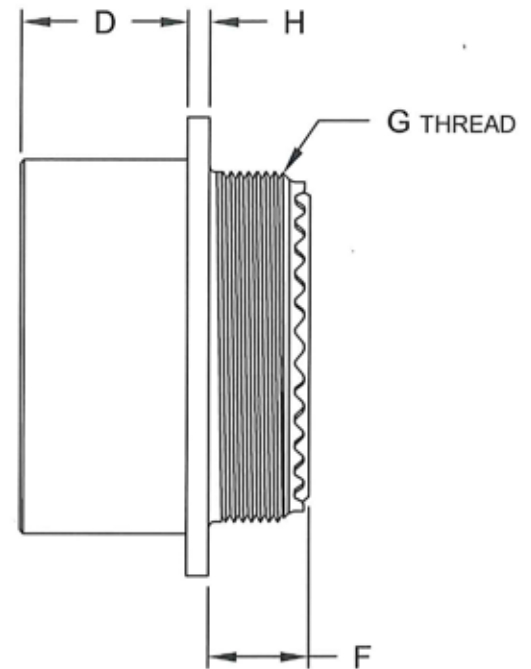
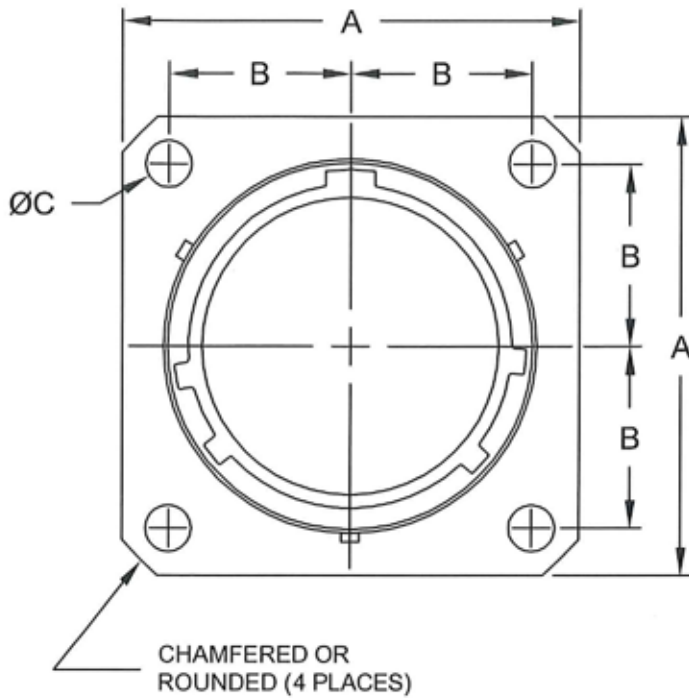
-

<http://www.corsairelectricalconnectors.com> (949) 833-0273



# MS27656

MIL-DTL-38999 SERIES I



Shell Size	G Thread Class 2A	A +/- .020	B	C Dia. +.010 -.005	D +.000 -.005	F (Class E) Max.	F (Class P) Max.	F (Class T) Max.	H +.015 -.000
9	.4375-28 UNEF	.938	.3595	.128	.820	.469	.719	.469	.085
11	.5625-24 UNEF	1.031	.406	.128	.820	.469	.719	.469	.085
13	.6875-24 UNEF	1.125	.453	.128	.820	.469	.719	.469	.085
15	.8125-20 UNEF	1.219	.4845	.128	.820	.469	.719	.469	.085
17	.9375-20 UNEF	1.312	.531	.128	.820	.469	.719	.469	.085
19	1.0625-18 UNEF	1.438	.578	.128	.820	.469	.719	.469	.085
21	1.1875-18 UNEF	1.562	.625	.128	.790	.500	.750	.500	.115
23	1.3125-18 UNEF	1.688	.6875	.147	.790	.500	.750	.500	.115
25	1.4375-18 UNEF	1.812	.750	.147	.790	.500	.750	.500	.115

TOLERANCE  
 XX ± .010  
 .XXX ± .005  
 ANGLES ± 1°

TITLE  
 CONNECTORS, ELECTRICAL, RECEPTACLE, WALL MOUNT,  
 BACK PANEL, BAYONET COUPLING CRIMP CONTACTS,  
 MIL-DTL-38999, SERIES I

SHEET  
 1 OF 1

DWG. NO.  
 MS27656

REV  
 -

<http://www.corsairelectricalconnectors.com> (949) 833-0273

# MIL-DTL-38999

## SERIES II



MILITARY PREFIX      MS27      472    E    24    A 16    P    W

CORSAIR PREFIX      CJ13      72    E    24    A 16    P    W

**CONNECTOR CONFIGURATION**

- 27472 (72) RECEPTACLE, WALL MOUNT
- 27473 (73) PLUG, STANDARD
- 27474 (74) RECEPTACLE, JAM NUT MOUNT
- 27484 (84) PLUG, RFI, STANDARD
- 27497 (97) RECEPTACLE, WALL MOUNT
- 27499 (99) RECEPTACLE, BOX MOUNT
- 27508 (08) RECEPTACLE, BOX MOUNT, FLANGE
- 27513 (13) RECEPTACLE, BOX MOUNT, LONG GROMMET

**CLASS**

- E ENVIRONMENTAL RESISTING-BOX AND THRU-BULKHEAD MOUNTING RECEPTACLE TYPES
- T ENVIRONMENTAL RESISTING-BOX AND JAM NUT MOUNTING RECEPTACLE AND PLUG TYPES

**SHELL SIZE**

8, 10, 12, 14, 16, 18, 20, 22, AND 24

**FINISHES**

- A SILVER/YELLOW CADMIUM OVER NICKEL (CONDUCTIVE)
- B OLIVE DRAB CADMIUM OVER A SUITABLE UNDERPLATE (CONDUCTIVE)
- C ANODIC (NON CONDUCTIVE)
- F ELECTROLESS NICKEL (CONDUCTIVE)
- T NICKEL FLOUROCARBON POLYMER (CONDUCTIVE)
- Z ZINC NICKEL (CONDUCTIVE)

**INSERT ARRANGEMENT**

REFER TO LAYOUT PATTERNS PER MIL-DTL-1560

**CONTACT TYPE**

- P PIN
- S SOCKET
- A CONNECTOR LESS PINS
- B CONNECTOR LESS SOCKETS

**POLARIZATION**

N NORMAL (NOT INCLUDED IN PART NUMBER)  
 W, X, Y, OR Z ALTERNATE POSITIONS, REFER TO POLARIZATION CHART

**GENERAL SPECIFICATIONS**

REAR RELEASE CONTACT RETENTION SYSTEM. 9 SHELL SIZES (8 TO 24) IN OVER 150 INSERT ARRANGEMENTS UTILIZING CONTACT SIZES 22D, 20, 16, 12, 8, 4, AND 0 GAGE CRIMP CONTACTS PER AS39029. USES BAYONET COUPLING MECHANISM. ACCEPTS AS85049 BACKSHELLS

USES HIGH RELIABILITY METAL CONTACT RETENTION CLIPS

**OPERATING TEMPERATURE RANGE:**

ALUMINIUM: -65° C TO 175° C  
 STAINLESS STEEL: -65° C TO 200° C

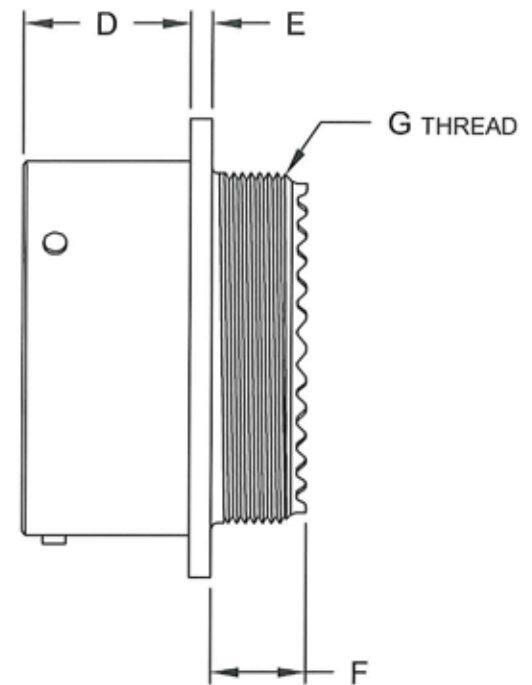
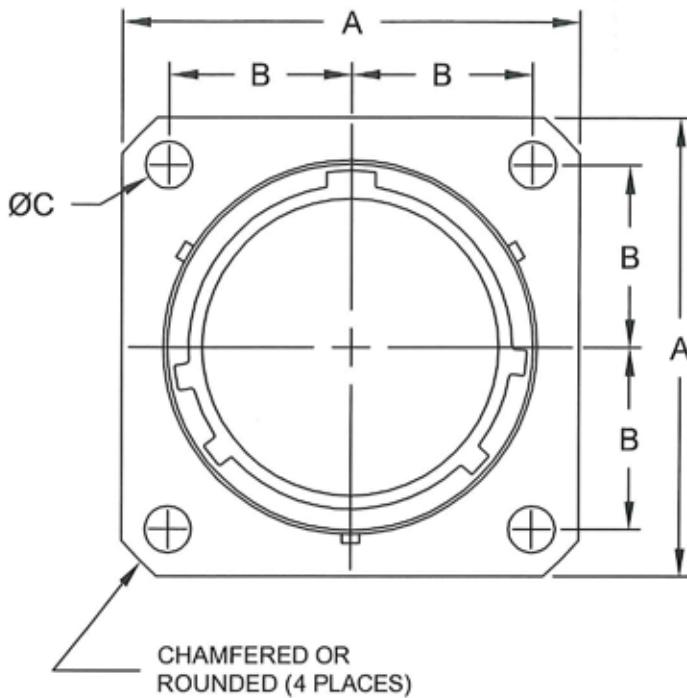
ENVIRONMENTAL FLOUROSILICONE ELASTOMERS

REFER TO ADDITIONAL CONTACT AND TOOLING INFORMATION

TOLERANCE XX ± .010 .XXX ± .005 ANGLES ± 1°	TITLE MIL-DTL-38999, REAR RELEASE, SERIES II, CORSAIR PART NUMBER CROSS REFERENCE	SHEET	DWG. NO.	REV
		1 OF 1	M38999	-
<a href="http://www.corsairelectricalconnectors.com">http://www.corsairelectricalconnectors.com</a> (949) 833-0273				

# MS27472

MIL-DTL-38999 SERIES II



Shell Size	G Thread Class 2 A	A Max.	B	C Dia.	D +.000 -.005	E +.011 -.000	F (Class E) Max.	F (Class P) Max.	F (Class T) Max.
8	.4375-28 UNEF	.828	.297	.120	.322	.058	.562	.641	.391
10	.5625-24 UNEF	.954	.3595	.120	.322	.058	.562	.641	.391
12	.6875-24 UNEF	1.047	.406	.120	.322	.058	.562	.641	.391
14	.8125-20 UNEF	1.141	.453	.120	.322	.058	.562	.641	.391
16	.9375-20 UNEF	1.234	.4845	.120	.322	.058	.562	.641	.391
18	1.0625-18 UNEF	1.328	.531	.120	.322	.058	.562	.641	.391
20	1.1875-18 UNEF	1.453	.578	.120	.322	.058	.562	.641	.391
22	1.3125-18 UNEF	1.578	.625	.120	.322	.058	.562	.641	.391
24	1.4375-18 UNEF	1.703	.6875	.147	.322	.058	.562	.703	.469

TOLERANCE  
XX ± .010  
.XXX ± .005  
ANGLES ± 1°

TITLE  
CONNECTORS, ELECTRICAL, RECEPTACLE, WALL MOUNT,  
FLANGE, BAYONET COUPLING, CRIMP CONTACTS,  
MIL-DTL-38999, SERIES II

SHEET  
1 OF 1

DWG. NO.  
MS27472

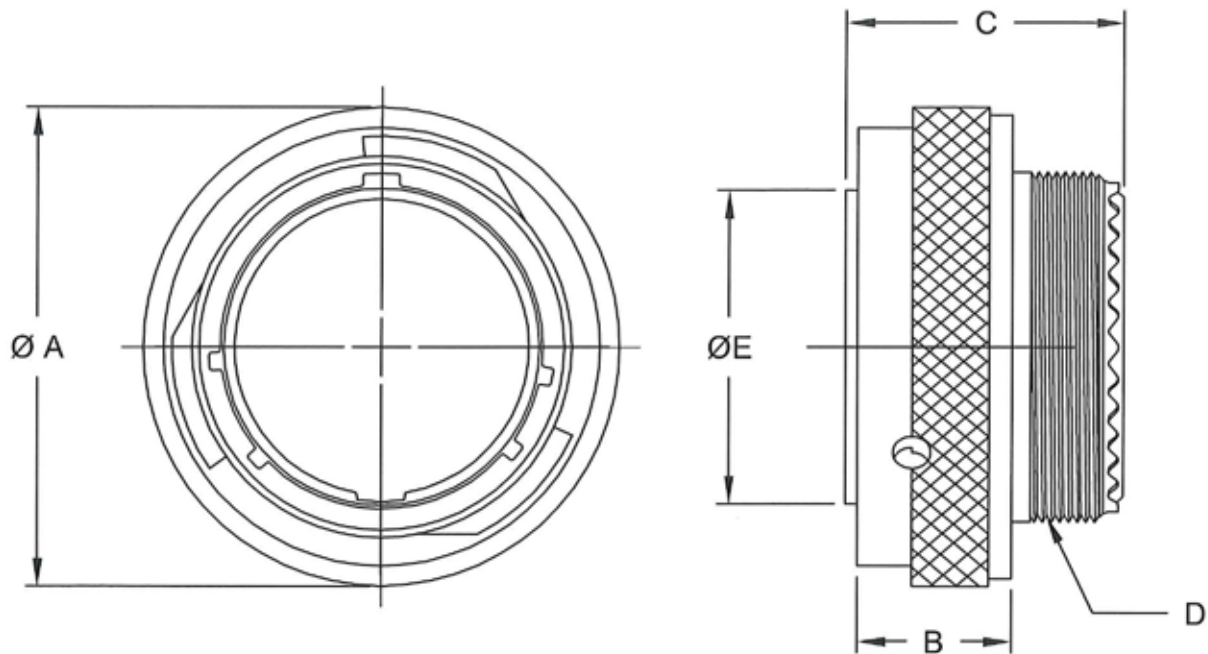
REV

-

<http://www.corsairelectricalconnectors.com> (949) 833-0273

# MS27473

MIL-DTL-38999 SERIES II



Shell Size	D thread Class 2A	A Dia. +.005 -.006	B $\pm .015$	C (Class E) Max.	C (Class P) Max.	C (Class T) Max.
8	.4375-28 UNEF	.750	.547	1.026	1.020	.766
10	.5625-24 UNEF	.859	.547	1.026	1.020	.766
12	.6875-24 UNEF	1.031	.547	1.026	1.020	.766
14	.8125-20 UNEF	1.156	.547	1.026	1.020	.766
16	.9375-20 UNEF	1.281	.547	1.026	1.020	.766
18	1.0625-18 UNEF	1.406	.547	1.026	1.020	.766
20	1.1875-18 UNEF	1.531	.524	1.026	1.020	.766
22	1.3125-18 UNEF	1.641	.524	1.026	1.020	.766
24	1.4375-18 UNEF	1.766	.575	1.104	1.080	.844

TOLERANCE  
 XX  $\pm .010$   
 .XXX  $\pm .005$   
 ANGLES  $\pm 1^\circ$

TITLE  
 CONNECTORS, ELECTRICAL, PLUG, STRAIGHT, BAYONET  
 COUPLING, CRIMP CONTACTS,  
 SERIES II, MIL-DTL-38999

SHEET  
 1 OF 1

DWG. NO.  
 MS27473

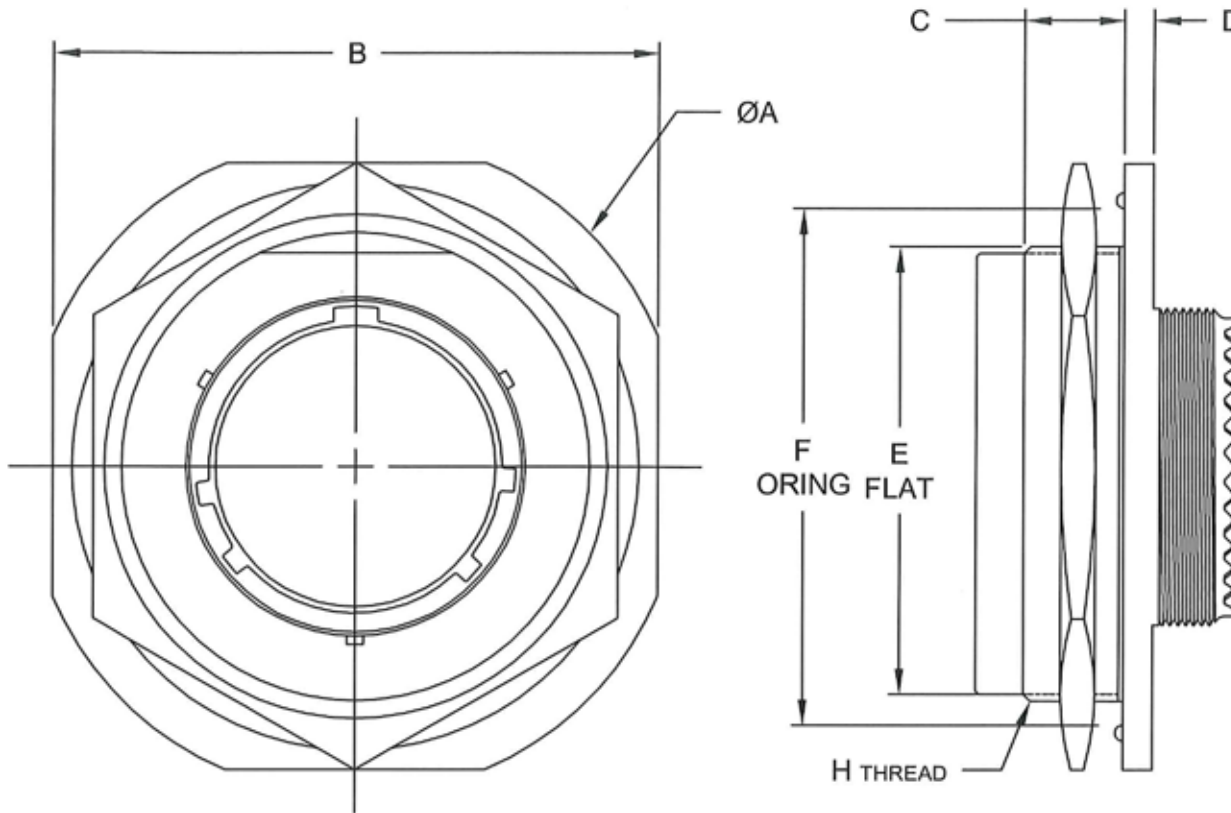
REV

-

<http://www.corsairelectricalconnectors.com> (949) 833-0273

# MS27474

MIL-DTL-38999 SERIES II



Shell Size	H Thread Class 2A Plated	A Dia. ±.016	B ±.016	C ±.005	D +.011 -.010	E +.001 -.006	F Dia. +.006 -.005
8	.875-20 UNEF	1.375	1.250	.438	.094	.817	.965
10	1.000-20 UNEF	1.500	1.375	.438	.094	.941	1.090
12	1.125-18 UNEF	1.625	1.500	.438	.094	1.065	1.215
14	1.250-18 UNEF	1.750	1.625	.438	.094	1.190	1.340
16	1.375-18 UNEF	1.938	1.781	.438	.094	1.320	1.477
18	1.500-18 UNEF	2.016	1.890	.438	.094	1.440	1.602
20	1.625-18 UNEF	2.141	2.016	.464	.094	1.565	1.727
22	1.750-18 UNS	2.265	2.140	.464	.094	1.690	1.852
24	1.875-18 UN	2.390	2.265	.464	.094	1.815	1.977

TOLERANCE  
XX ± .010  
.XXX ± .005  
ANGLES ± 1°

TITLE  
CONNECTORS, ELECTRICAL, RECEPTACLE, JAM NUT,  
MOUNTING, BAYONET COUPLING, CRIMP CONTACTS,  
MIL-DTL-38999, SERIES II

SHEET  
1 OF 1

DWG. NO.  
MS27474

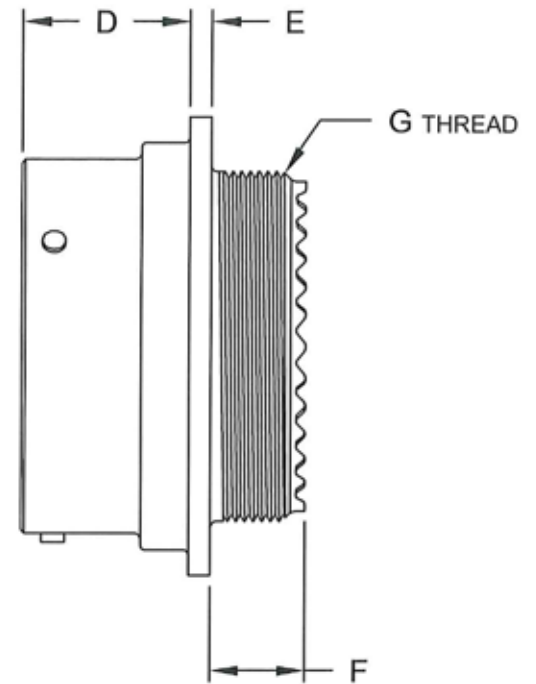
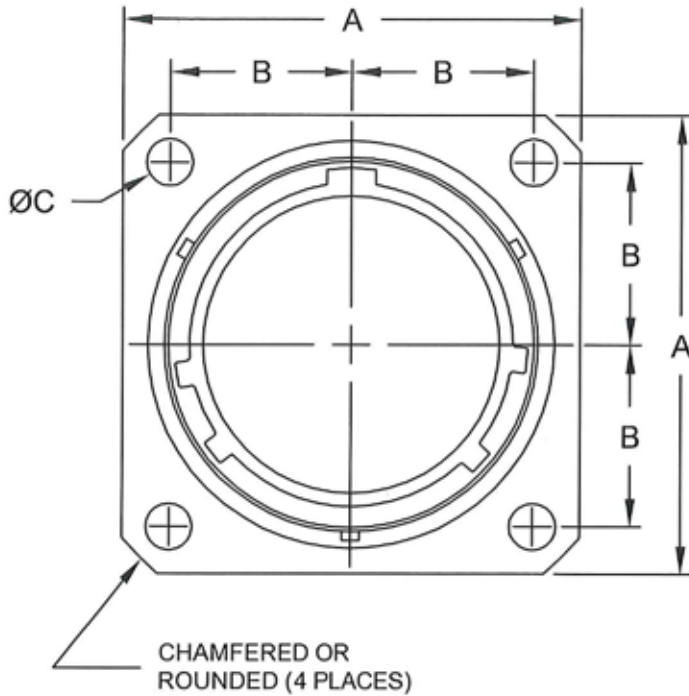
REV

-

<http://www.corsairelectricalconnectors.com> (949) 833-0273

# MS27479

MIL-DTL-38999 SERIES II



Shell Size	G Thread Class 2 A	A Max.	B	C Dia. +.010 -.005	D +.000 -.005	E +.011 -.000	F (Class E) Max.	F (Class P) Max.	F (Class T) Max.
8	.4375-28 UNEF	.828	.297	.120	.322	.058	.562	.641	.391
10	.5625-24 UNEF	.954	.3595	.120	.322	.058	.562	.641	.391
12	.6875-24 UNEF	1.047	.406	.120	.322	.058	.562	.641	.391
14	.8125-20 UNEF	1.141	.453	.120	.322	.058	.562	.641	.391
16	.9375-20 UNEF	1.234	.4845	.120	.322	.058	.562	.641	.391
18	1.0625-18 UNEF	1.328	.531	.120	.322	.058	.562	.641	.391
20	1.1875-18 UNEF	1.453	.578	.120	.322	.058	.562	.641	.391
22	1.3125-18 UNEF	1.578	.625	.120	.322	.058	.562	.641	.391
24	1.4375-18 UNEF	1.703	.6875	.147	.322	.058	.562	.703	.469

TOLERANCE  
XX ± .010  
.XXX ± .005  
ANGLES ± 1°

TITLE  
CONNECTORS, ELECTRICAL, RECEPTACLE, WALL MOUNT,  
FLANGE, BAYONET COUPLING, CRIMP CONTACTS,  
MIL-DTL-38999, SERIES II

SHEET  
1 OF 1

DWG. NO.  
MS27479

REV

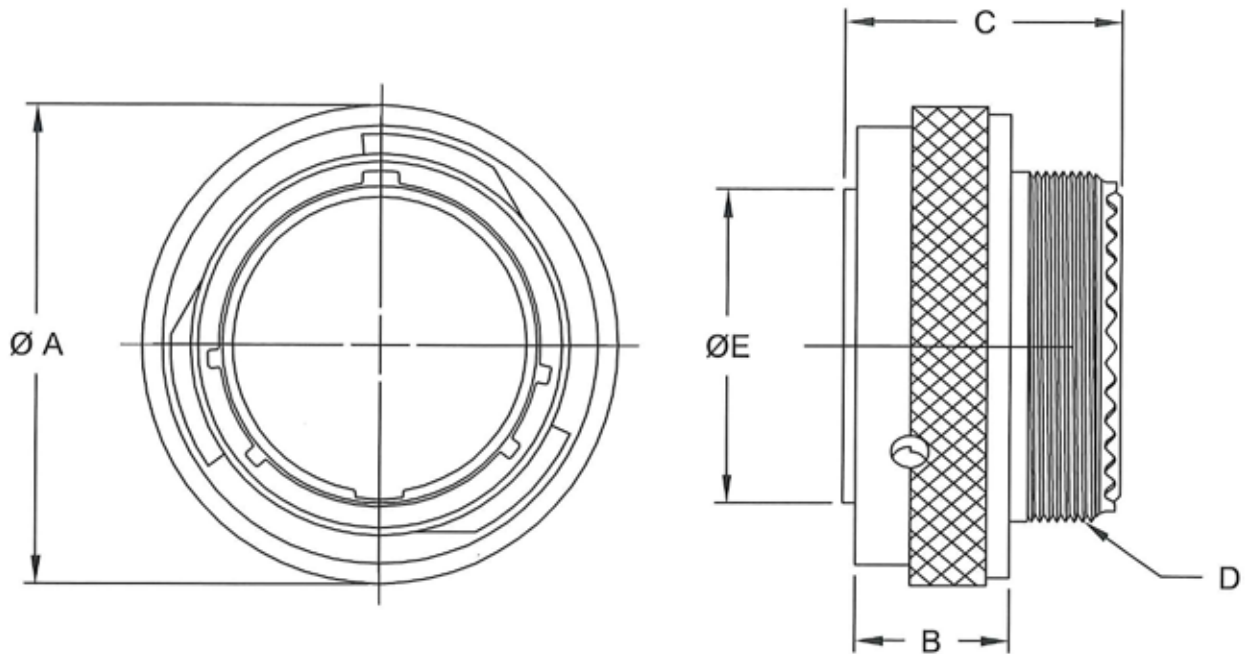
-

<http://www.corsairelectricalconnectors.com> (949) 833-0273



# MS27484

MIL-DTL-38999 SERIES II



Shell Size	D thread Class 2A	A Dia. +.005 -.006	B $\pm .015$	C (Class E) Max.	C (Class P) Max.	C (Class T) Max.	E Dia. +.007 -.004
8	.4375-28 UNEF	.750	.547	1.016	1.020	.766	.456
10	.5625-24 UNEF	.859	.547	1.016	1.020	.766	.573
12	.6875-24 UNEF	1.031	.547	1.016	1.020	.766	.733
14	.8125-20 UNEF	1.156	.547	1.016	1.020	.766	.858
16	.9375-20 UNEF	1.281	.547	1.016	1.020	.766	.983
18	1.0625-18 UNEF	1.406	.547	1.016	1.020	.766	1.108
20	1.1875-18 UNEF	1.531	.524	1.016	1.020	.766	1.228
22	1.3125-18 UNEF	1.641	.524	1.016	1.020	.766	1.353
24	1.4375-18 UNEF	1.766	.575	1.094	1.080	.844	1.478

TOLERANCE  
 XX  $\pm .010$   
 .XXX  $\pm .005$   
 ANGLES  $\pm 1^\circ$

TITLE  
 CONNECTORS, ELECTRICAL, PLUG, RFI, BAYONET  
 COUPLING, CRIMP CONTACTS, SERIES II, MIL-DTL-38999

SHEET  
 1 OF 1

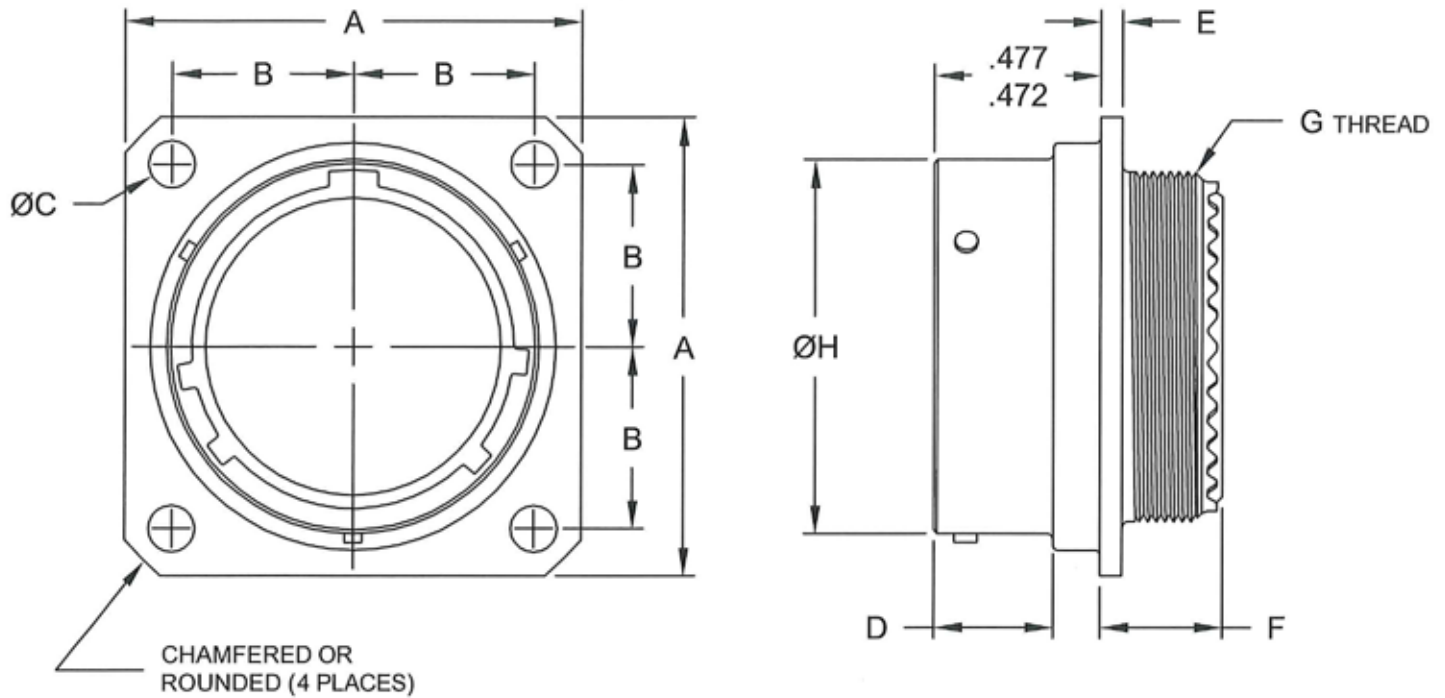
DWG. NO.  
 MS27484

REV  
 -

<http://www.corsairelectricalconnectors.com> (949) 833-0273

# MS27497

MIL-DTL-38999 SERIES II



Shell Size	G Thread Class 2 A	A Max.	B	C Dia.	D +.000 -.005	E +.011 -.000	F (Class E) Max.	F (Class P) Max.	F (Class T) Max.	H Dia. Max.
8	.4375-28 UNEF	.828	.297	.120	.322	.058	.562	.641	.391	.547
10	.5625-24 UNEF	.954	.3595	.120	.322	.058	.562	.641	.391	.672
12	.6875-24 UNEF	1.047	.406	.120	.322	.058	.562	.641	.391	.844
14	.8125-20 UNEF	1.141	.453	.120	.322	.058	.562	.641	.391	.969
16	.9375-20 UNEF	1.234	.4845	.120	.322	.058	.562	.641	.391	1.094
18	1.0625-18 UNEF	1.328	.531	.120	.322	.058	.562	.641	.391	1.219
20	1.1875-18 UNEF	1.453	.578	.120	.322	.058	.562	.641	.391	1.344
22	1.3125-18 UNEF	1.578	.625	.120	.322	.058	.562	.641	.391	1.469
24	1.4375-18 UNEF	1.703	.6875	.147	.322	.058	.562	.703	.469	1.594

TOLERANCE  
 XX ± .010  
 .XXX ± .005  
 ANGLES ± 1°

TITLE  
 CONNECTORS, ELECTRICAL, RECEPTACLE, BACK PANEL,  
 WALL MOUNT, FLANGE, BAYONET COUPLING, CRIMP  
 CONTACTS, MIL-DTL-38999, SERIES II

SHEET  
 1 OF 1

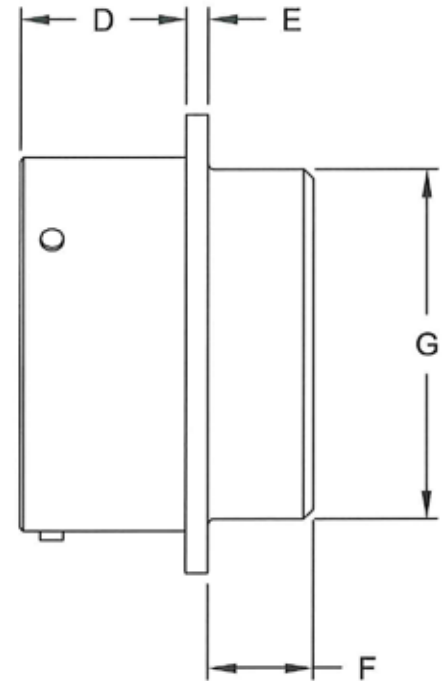
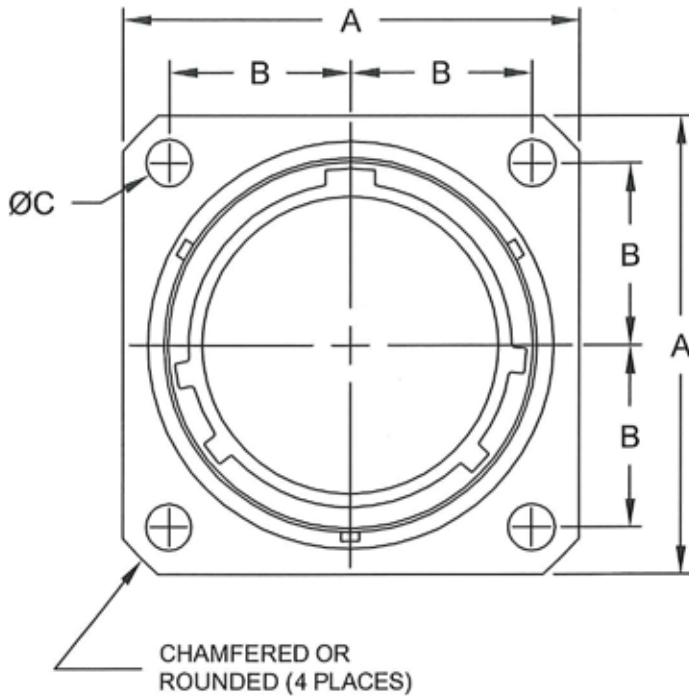
DWG. NO.  
 MS27497

REV  
 -

<http://www.corsairelectricalconnectors.com> (949) 833-0273

# MS27499

MIL-DTL-38999 SERIES II



Shell Size	A Max.	B	C Dia. +.010 -0.005	D +.000 -.005	E +.011 -.000	F Max.	G Max.
8	.828	.297	.120	.322	.058	.312	.453
10	.954	.3595	.120	.322	.058	.312	.578
12	1.047	.406	.120	.322	.058	.312	.703
14	1.141	.453	.120	.322	.058	.312	.828
16	1.234	.4845	.120	.322	.058	.312	.953
18	1.328	.531	.120	.322	.058	.312	1.062
20	1.453	.578	.120	.322	.058	.312	1.188
22	1.578	.625	.120	.322	.058	.312	1.312
24	1.703	.6875	.147	.322	.058	.312	1.438

TOLERANCE  
XX ± .010  
.XXX ± .005  
ANGLES ± 1°

TITLE  
CONNECTORS, ELECTRICAL, RECEPTACLE, BOX MOUNT,  
FLANGE, BAYONET COUPLING, CRIMP CONTACTS,  
MIL-DTL-38999, SERIES II

SHEET  
1 OF 1

DWG. NO.  
MS27499

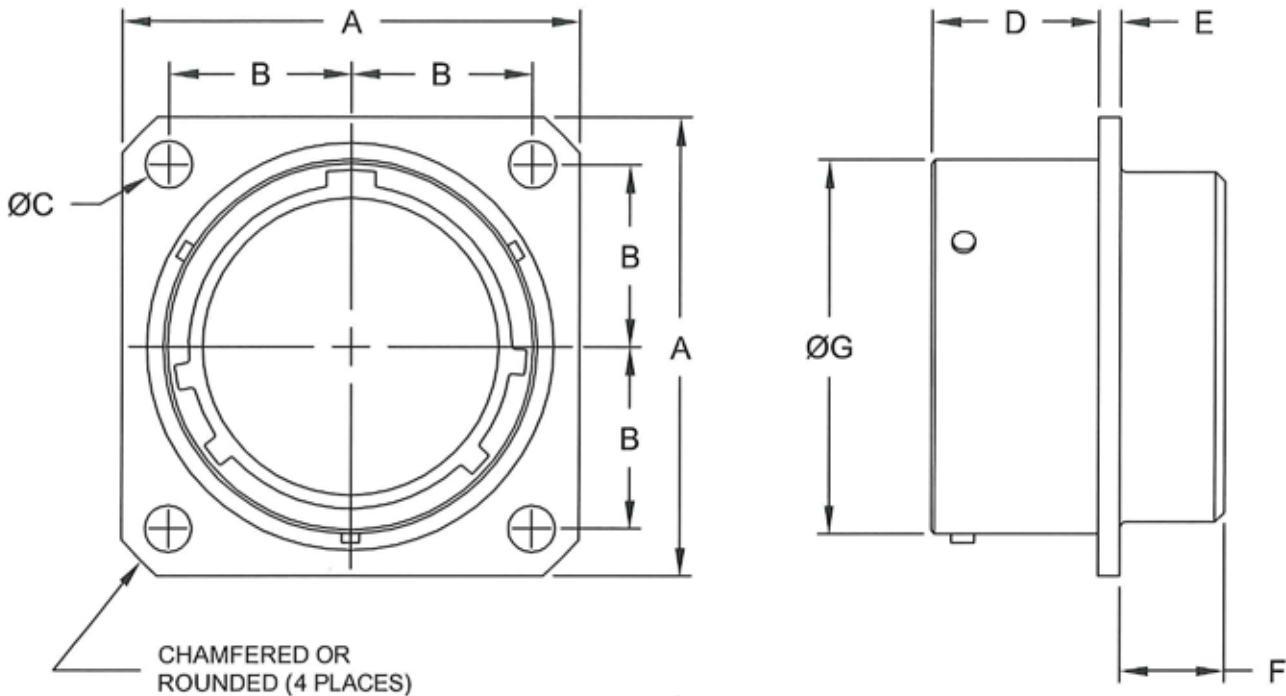
REV

-

<http://www.corsairelectricalconnectors.com> (949) 833-0273

# MS27504

MIL-DTL-38999 SERIES II



Shell Size	A Max.	B	C Dia. +.010 -0.005	D +.000 -.005	E +.011 -.000	F Max.	G +.001 -.005
8	.828	.297	.120	.322	.058	.312	.473
10	.954	.3595	.120	.322	.058	.312	.590
12	1.047	.406	.120	.322	.058	.312	.750
14	1.141	.453	.120	.322	.058	.312	.875
16	1.234	.4845	.120	.322	.058	.312	1.000
18	1.328	.531	.120	.322	.058	.312	1.125
20	1.453	.578	.120	.322	.058	.312	1.250
22	1.578	.625	.120	.322	.058	.312	1.375
24	1.703	.6875	.147	.322	.058	.312	1.500

TOLERANCE  
XX ± .010  
.XXX ± .005  
ANGLES ± 1°

TITLE  
CONNECTORS, ELECTRICAL, RECEPTACLE, BOX MOUNT,  
FLANGE, BAYONET COUPLING, CRIMP CONTACTS,  
MIL-DTL-38999, SERIES II

SHEET  
1 OF 1

DWG. NO.  
MS27504

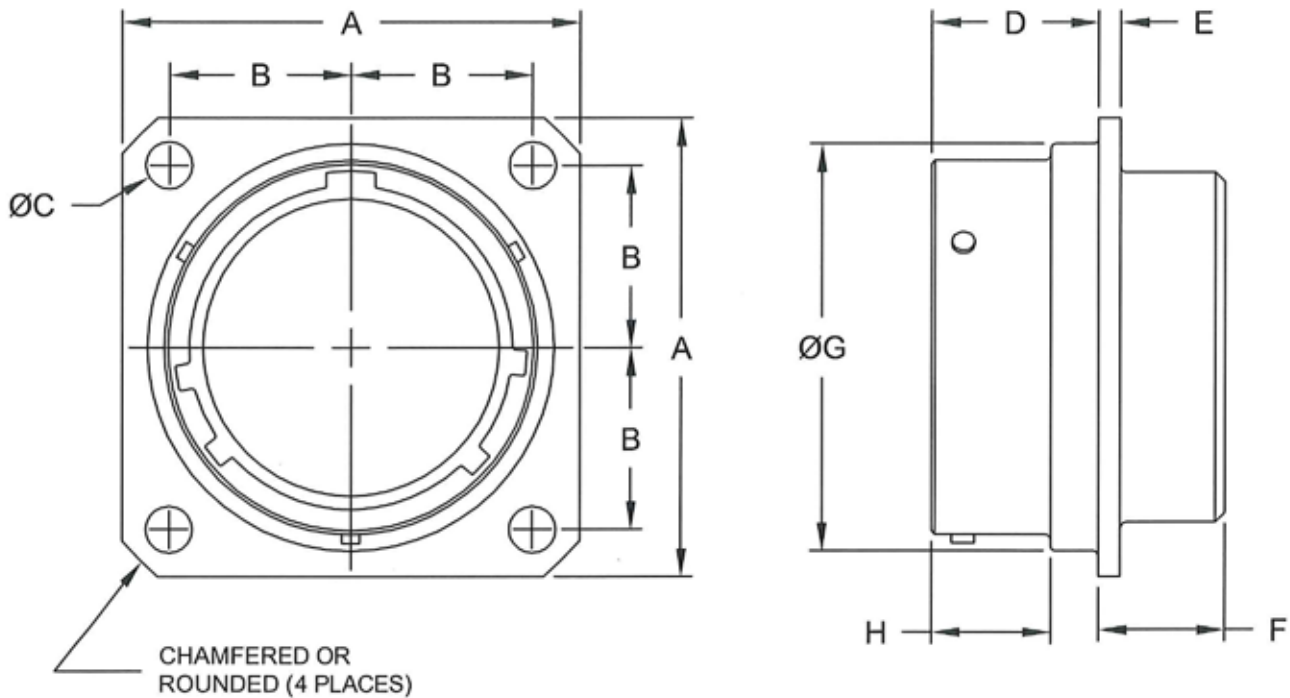
REV

-

<http://www.corsairelectricalconnectors.com> (949) 833-0273

# MS27508

MIL-DTL-38999 SERIES II



Shell Size	A Max.	B	C Dia. +.010 -0.005	D +.000 -.005	E +.011 -.000	F Max.	G Dia. Max.	H +.000 -.005
8	.828	.297	.120	.447	.058	.250	.547	.322
10	.954	.3595	.120	.447	.058	.250	.672	.322
12	1.047	.406	.120	.447	.058	.250	.844	.322
14	1.141	.453	.120	.447	.058	.250	.969	.322
16	1.234	.4845	.120	.447	.058	.250	1.094	.322
18	1.328	.531	.120	.447	.058	.250	1.219	.322
20	1.453	.578	.120	.447	.058	.250	1.344	.322
22	1.578	.625	.120	.447	.058	.250	1.469	.322
24	1.703	.6875	.147	.447	.058	.250	1.594	.322

TOLERANCE  
XX ± .010  
.XXX ± .005  
ANGLES ± 1°

TITLE  
CONNECTORS, ELECTRICAL, RECEPTACLE, BACK PANEL,  
BOX MOUNT, FLANGE, BAYONET COUPLING, CRIMP  
CONTACTS, MIL-DTL-38999, SERIES II

SHEET  
1 OF 1

DWG. NO.  
MS27508

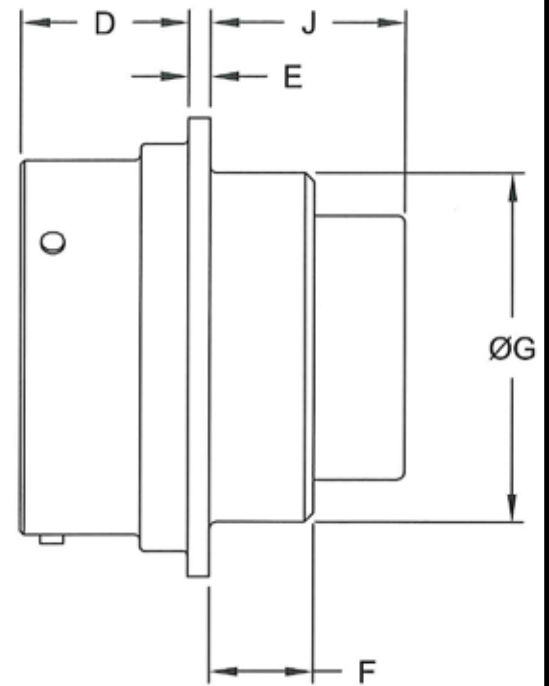
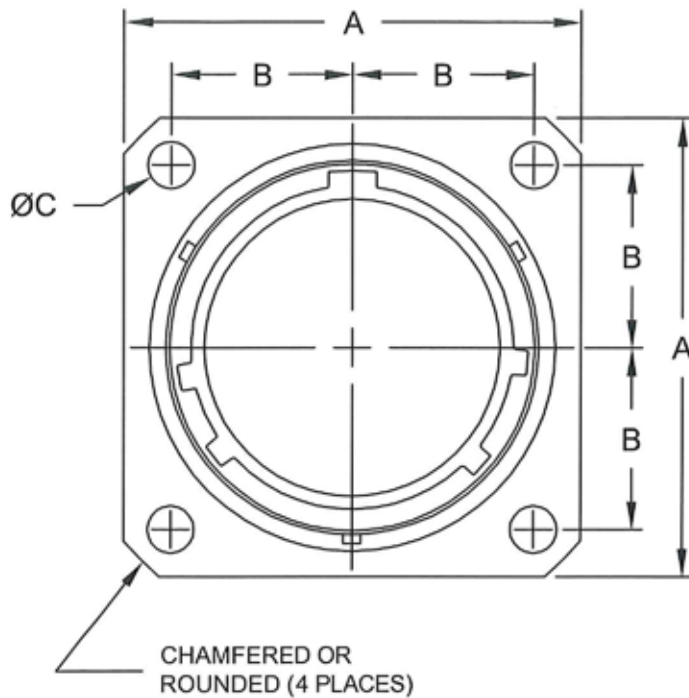
REV

-

<http://www.corsairelectricalconnectors.com> (949) 833-0273

# MS27513

MIL-DTL-38999 SERIES II



Shell Size	A Max.	B	C Dia. +.010 -0.005	D +.000 -.005	E +.011 -.000	F Max.	G Dia. Max.	J Max.
8	.828	.297	.120	.322	.058	.312	.453	.516
10	.954	.3595	.120	.322	.058	.312	.578	.516
12	1.047	.406	.120	.322	.058	.312	.703	.516
14	1.141	.453	.120	.322	.058	.312	.828	.516
16	1.234	.4845	.120	.322	.058	.312	.953	.516
18	1.328	.531	.120	.322	.058	.312	1.062	.516
20	1.453	.578	.120	.322	.058	.312	1.188	.516
22	1.578	.625	.120	.322	.058	.312	1.312	.516
24	1.703	.6875	.147	.322	.058	.312	1.438	.516

TOLERANCE  
XX ± .010  
.XXX ± .005  
ANGLES ± 1°

TITLE  
CONNECTORS, ELECTRICAL, RECEPTACLE, BOX MOUNT,  
FLANGE, LONG GROMMET, BAYONET COUPLING, CRIMP  
CONTACTS, MIL-DTL-38999, SERIES II

SHEET  
1 OF 1

DWG. NO.  
MS27513

REV  
-

<http://www.corsairelectricalconnectors.com> (949) 833-0273



# MIL-DTL-38999

## SERIES III



MILITARY PREFIX	D38999/	20	W	B	16	P	W
CORSAIR PREFIX	CJ14	20	W	B	16	P	W

**CONNECTOR CONFIGURATION**

- 20 (20) RECEPTACLE, WALL MOUNT
- 24 (24) RECEPTACLE, JAM NUT MOUNT
- 26 (26) PLUG, RFI, STANDARD

**CLASS**

- C ENVIRONMENTAL RESISTING-NON CONDUCTIVE FINISH ANODIC -65°C- +200°C
- F ENVIRONMENTAL RESISTING-CONDUCTIVE FINISH ELECTROLESS NICKEL -65°C- +200°C
- K ENVIRONMENTAL RESISTING-CORROSION RESISTANT STEEL WITH FIREWALL BARRIER, PASSIVATED -65°C- +200°C
- F ENVIRONMENTAL RESISTING-CORROSION RESISTANT STEEL WITH ELECTRODEPOSITED NICKEL -65°C- +200°C
- S ENVIRONMENTAL RESISTING-CORROSION RESISTANT STEEL WITH ELECTRODEPOSITED NICKEL & FIREWALL BARRIER -65°C- +200°C
- T ENVIRONMENTAL RESISTING-NICKEL FLOUROCARBON POLYMER, CONDUCTIVE FINISH -65°C- +175°C
- W ENVIRONMENTAL RESISTING-CORROSION RESISTANT FINISH OLIVE DRAB CADMIUM PLATE OVER UNDERPLATE -65°C- +175°C
- Z ENVIRONMENTAL RESISTING-ZINC NICKEL, CONDUCTIVE FINISH -65°C- +175°C

**SHELL SIZE**

A(9), B(11), C(13), D(15), E(17), F(19), G(21), H(23), J(25)

**INSERT ARRANGEMENT**

REFER TO LAYOUT PATTERNS PER MIL-DTL-1560

**CONTACT TYPE**

- P PIN
- S SOCKET
- A CONNECTOR LESS PINS
- B CONNECTOR LESS SOCKETS

**POLARIZATION**

N NORMAL (NOT INCLUDED IN PART NUMBER)  
 W, X, Y, OR Z ALTERNATE POSITIONS, REFER TO POLARIZATION CHART

**GENERAL SPECIFICATIONS**

REAR RELEASE CONTACT RETENTION SYSTEM. 9 SHELL SIZES (A TO J) IN OVER 150 INSERT ARRANGEMENTS UTILIZING CONTACT SIZES 22D, 20, 16, 12, 8, 4, AND 0 GAGE CRIMP CONTACTS PER AS39029. USES TRIPLE START THREAD COUPLING MECHANISM. ACCEPTS AS85049 BACKSHELLS

USES HIGH RELIABILITY METAL CONTACT RETENTION CLIPS

**OPERATING TEMPERATURE RANGE:**  
 ALUMINIUM: -65° C TO 175 °C  
 STAINLESS STEEL: -65° C TO 200° C

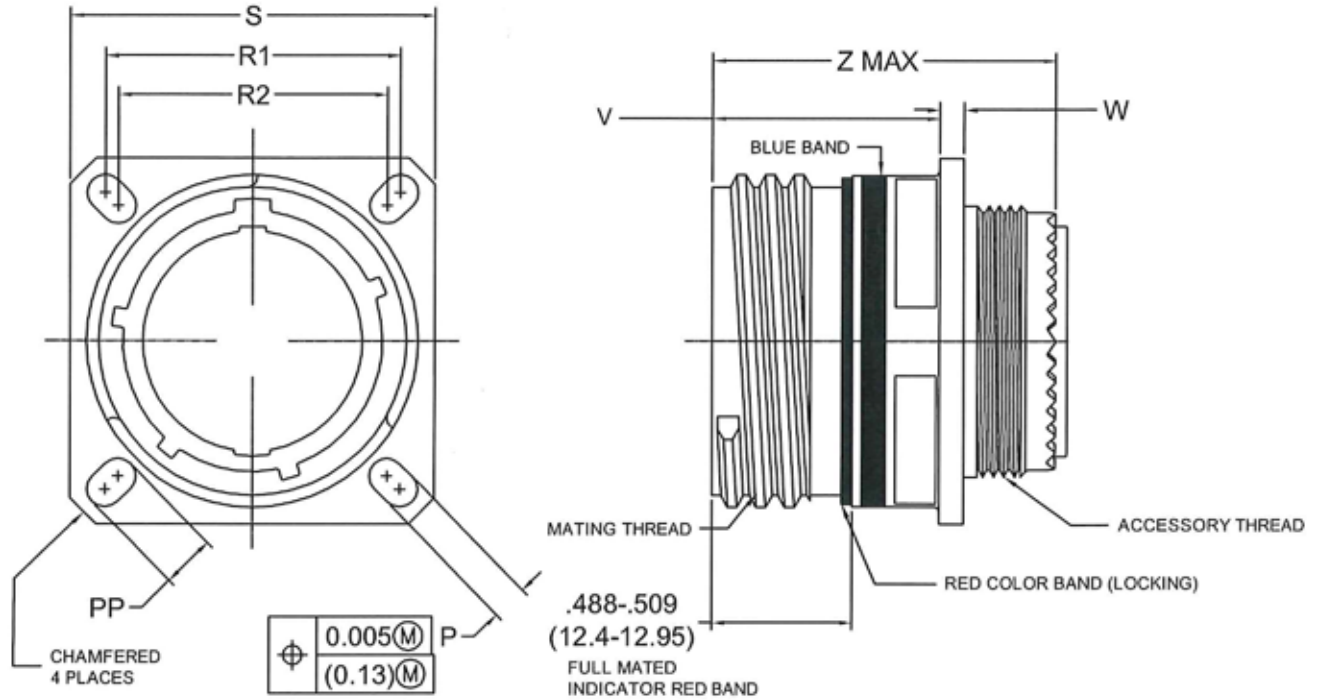
ENVIRONMENTAL FLOUROSILOCONE ELASTOMERS

REFER TO ADDITIONAL CONTACT AND TOOLING INFORMATION

TOLERANCE XX ± .010 .XXX ± .005 ANGLES ± 1°	TITLE MIL-DTL-38999, REAR RELEASE, SERIES III, CORSAIR PART NUMBER CROSS REFERENCE	SHEET 1 OF 1	DWG. NO. M38999	REV -
		http://www.corsairelectricalconnectors.com (949) 833-0273		

# D38999/20

MIL-DTL-38999 SERIES III



SHELL SIZE	SHELL SIZE CODE	M Max front or rear panel thickness (See note 4.C)	P $\pm 0.20$	PP $\pm 0.20$	R1 (See note 4.A)	R2 (See note 4.B)	S $\pm 0.3$	V +0.00 -1.25	W	Z MAX
9	A	.228 (5.80)	0.128 (3.25)	.216 (5.49)	.719 (18.26)	.594 (15.09)	.937 (23.8)	.820 (20.83)	.098/.083 (2.5/2.1)	1.240 (31.5)
11	B		0.128 (3.25)	.194 (4.93)	20.62 (.812)	.719 (18.26)	1.031 (26.2)	.820 (20.83)	.098/.083 (2.5/2.1)	1.240 (31.5)
13	C		0.128 (3.25)	.194 (4.93)	23.01 (.906)	.812 (20.62)	1.126 (28.6)	.820 (20.83)	.098/.083 (2.5/2.1)	1.240 (31.5)
15	D		0.128 (3.25)	.173 (4.39)	24.61 (.969)	.906 (23.01)	1.220 (31.0)	.820 (20.83)	.098/.083 (2.5/2.1)	1.240 (31.5)
17	E		0.128 (3.25)	.194 (4.93)	1.062 (26.97)	.969 (24.61)	1.311 (33.3)	.820 (20.83)	.098/.083 (2.5/2.1)	1.240 (31.5)
19	F		0.128 (3.25)	.194 (4.93)	1.156 (29.36)	26.97 (1.062)	1.437 (36.5)	.820 (20.83)	.098/.083 (2.5/2.1)	1.240 (31.5)
21	G	.197 (5.00)	0.128 (3.25)	.194 (4.93)	1.250 (31.75)	1.156 (29.36)	1.563 (39.7)	.790 (20.07)	0.126/.083 (3.2/2.1)	1.240 (31.5)
23	H		.154 (3.91)	.242 (6.15)	1.375 (34.93)	1.250 (31.75)	1.689 (42.9)	.790 (20.07)	0.126/.083 (3.2/2.1)	1.240 (31.5)
25	J		.154 (3.91)	.242 (6.15)	1.500 (38.10)	1.375 (34.93)	1.811 (46.0)	.790 (20.07)	0.126/.083 (3.2/2.1)	1.240 (31.5)

TOLERANCE  
XX  $\pm .010$   
.XXX  $\pm .005$   
ANGLES  $\pm 1^\circ$

TITLE  
CONNECTORS, ELECTRICAL, CIRCULAR, RECEPTACLE,  
THREADED, WALL MOUNTING FLANGE, REMOVABLE  
CRIMP CONTACTS, SERIES III, MIL-DTL-38999/20

SHEET  
1 OF 1

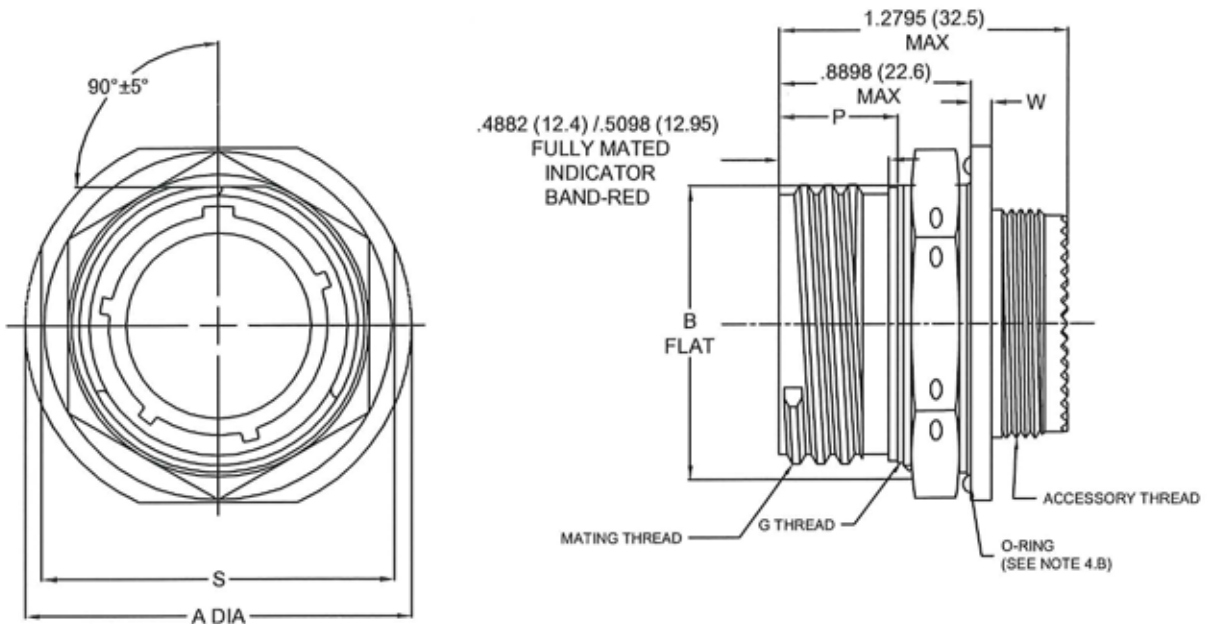
DWG. NO.  
D38999/20

REV  
-

<http://www.corsairelectricalconnectors.com> (949) 833-0273

# D38999/24

MIL-DTL-38999 SERIES III



SHELL SIZE	SHELL SIZE CODE	A DIA ±0.012	B FLAT +0.10 -0.15	G THREAD	P +0.6 -0.0	S ±0.04	W +0.035 -0.004	Recommended O-ring SAE-AS3582 (see note 4.D)
9	A	1.189 (30.2)	.651 (16.53)	M17x1-6g 0.100R	.555 (14.1)	1.063 (27.0)	.087 (2.2)	-019
11	B	1.374 (34.9)	.751 (19.07)	M20x1-6g 0.100R	.555 (14.1)	1.252 (31.8)	.087 (2.2)	-022
13	C	1.500 (38.1)	.938 (23.82)	M25x1-6g 0.100R	.555 (14.1)	1.374 (34.9)	.087 (2.2)	-024
15	D	1.626 (41.3)	1.062 (26.97)	M28x1-6g 0.100R	.555 (14.1)	1.500 (38.1)	.087 (2.2)	-026
17	E	1.752 (44.5)	1.187 (30.15)	M32x1-6g 0.100R (see note 4.B)	.555 (14.1)	1.626 (41.3)	.087 (2.2)	-028
19	F	1.937 (49.2)	1.312 (33.32)	M35x1-6g 0.100R	.555 (14.1)	1.811 (46.0)	.118 (3.0)	-128
21	G	2.063 (52.4)	1.437 (36.50)	M38x1-6g 0.100R	.555 (14.1)	1.937 (49.2)	.118 (3.0)	-130
23	H	2.189 (55.6)	1.562 (39.67)	M41x1-6g 0.100R	.555 (14.1)	2.063 (52.4)	.118 (3.0)	-132
25	J	2.311 (58.7)	1.687 (42.85)	M44x1-6g 0.100R	.555 (14.1)	2.189 (55.6)	.118 (3.0)	-134

TOLERANCE  
XX ± .010  
.XXX ± .005  
ANGLES ± 1°

TITLE  
CONNECTORS, ELECTRICAL, CIRCULAR, RECEPTACLE,  
THREADED, REMOVABLE CRIMP CONTACTS, SERIES III,  
MIL-DTL-38999/24

SHEET  
1 OF 1

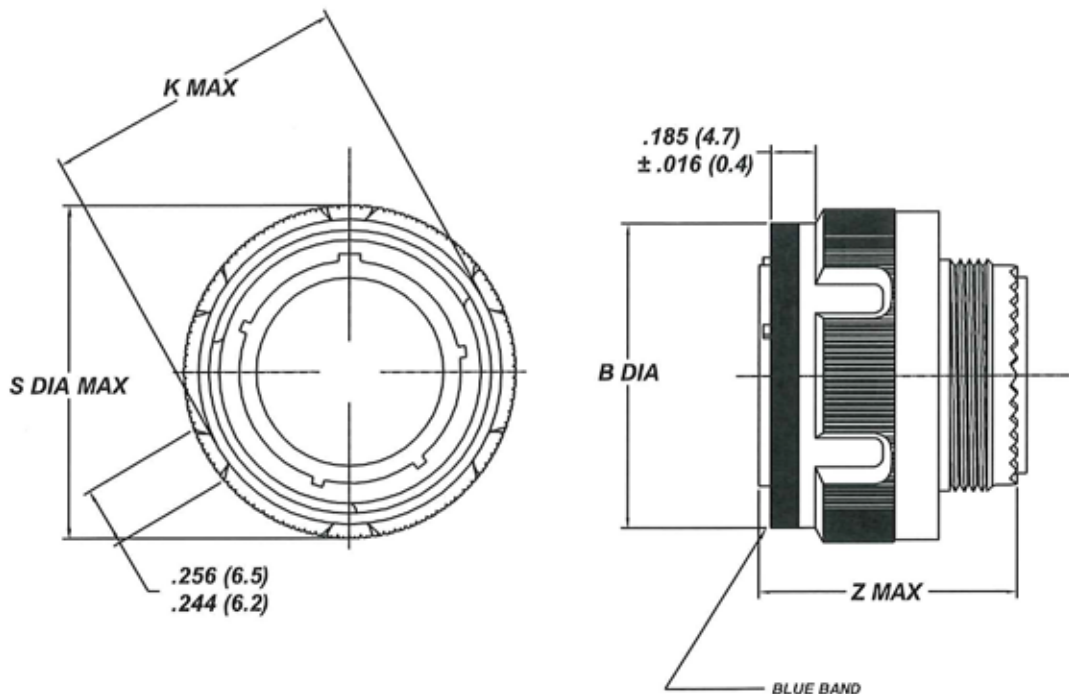
DWG. NO.  
D38999/24

REV  
-

<http://www.corsairelectricalconnectors.com> (949) 833-0273

# D38999/26

MIL-DTL-38999 SERIES III



SHELL SIZE	SHELL SIZE CODE	B DIA +.008 (.2) -0.0	K MAX	S DIA MAX	Z MAX
9	A	.724 (18.4)	.748 (19.0)	.858 (21.8)	1.220 (31.0)
11	B	.830 (21.1)	.862 (21.9)	.984 (25.0)	1.220 (31.0)
13	C	25.4 (.999)	1.03 (26.1)	1.157 (29.4)	1.220 (31.0)
15	D	1.129 (28.7)	1.15 (29.3)	1.27 (32.5)	1.220 (31.0)
17	E	1.26 (32.2)	1.29 (32.8)	1.40 (35.7)	1.220 (31.0)
19	F	1.49 (34.9)	1.39 (35.5)	1.51 (38.5)	1.220 (31.0)
21	G	1.49 (38.1)	1.52 (38.7)	1.64 (41.7)	1.220 (31.0)
23	H	1.61 (41.1)	1.64 (41.7)	1.76 (44.9)	1.220 (31.0)
25	J	1.74 (44.3)	1.76 (44.9)	1.88 (48.0)	1.220 (31.0)

TOLERANCE  
 XX ± .010  
 .XXX ± .005  
 ANGLES ± 1°

TITLE  
 CONNECTORS, ELECTRICAL, PLUG, CIRCULAR,  
 THREADED, STRAIGHT, REMOVABLE CRIMP CONTACTS,  
 SERIES III, MIL-DTL-38999/26

SHEET  
 1 OF 1

DWG. NO.  
 D38999/26

REV

-

<http://www.corsairelectricalconnectors.com> (949) 833-0273

# MIL-DTL-38999

SERIES I, II & III



Shell Size	Insert Arrangement					Contact Size								Notes
	Series I	Series II	Series III	Service Rating	Total # of Contacts	22D	22M	22	20	16	12	10	8	
8 & 9	9-6	8-6	A-6	M	6		6							
	9-7	N/A	A-7	M	7	7								
	9-35	8-35	A-35	M	6	6								
	9-44	8-44	A-44	M	4			4						
	9-98	8-98	A-98	I	3					3				
10 & 11	11-2	N/A	B-2	I	2					2				
	11-4	N/A	B-4	I	4				4					
	11-5	10-5	B-5	I	5				5					
	11-13	10-13	B-13	M	13		13							
	11-35	10-35	B-35	M	13	13								
	11-98	10-98	B-98	I	6				6					
	11-99	10-99	B-99	I	7				7					
12 & 13	N/A	12-3	N/A	II	3					3				
	13-4	12-4	C-4	I	4					4				
	13-8	12-8	C-8	I	8				8					
	13-22	12-22	C-22	M	22		22							
	13-35	12-35	C-35	M	22	22								
	13-98	12-98	C-98	I	10				10					
14 & 15	15-5	14-5	D-5	II	5					5				
	15-15	14-15	D-15	I	15				14	1				
	15-18	14-18	D-18	I	18				18					
	15-19	N/A	D-19	I	19				19					
	15-35	14-35	D-35	M	37	37								
	15-37	14-37	D-37	M	37		37							
	15-97	14-97	D-97	I	12				8	4				
16 & 17	17-2	N/A	E-2	M	39	38							1	①②
	17-6	16-6	E-6	I	6						6			
	N/A	16-7	N/A	II							6			
	17-8	16-8	E-8	II	8					8				
	17-11	N/A	E-11	N	11				8		3			①
	17-26	16-26	E-26	I	26				26					
	17-35	16-35	E-35	M	55	55								
	N/A	16-42	N/A	M	42			42						
	17-55	16-55	E-55	M	55		55							
	17-99	16-99	E-99	I	23				21	2				

TOLERANCE  
 XX ± .010  
 .XXX ± .005  
 ANGLES ± 1°

TITLE  
 INSERT ARRANGEMENT, SERIES I, II & III

SHEET  
 1 OF 3

DWG. NO.  
 MIL-DTL-38999

REV  
 -

<http://www.corsairelectricalconnectors.com> (949) 833-0273

# MIL-DTL-38999

SERIES I, II & III



Shell Size	Insert Arrangement					Contact Size							Notes
	Series I	Series II	Series III	Service Rating	Total # of Contacts	22D	22M	22	20	16	12	10	
18 & 19	19-11	18-11	F-11	II	11					11			
	19-18	N/A	F-18	M	18	14							4 (1)(2)
	19-28	18-28	F-28	I	28				26	2			
	19-30	18-30	F-30	I	30				29	1			
	19-32	18-32	F-32	I	32				32				
	19-35	18-35	F-35	M	66	66							
	19-45	18-45	F-45	M	67	67							
	N/A	18-53	N/A	M	53			53					
	19-66	18-66	F-66	M	66		66						
	19-67	18-67	F-67	M	67		67						
	N/A	18-96	N/A	I	9						9		
20 & 21	21-1	20-1	G-1	M	79		79						
	N/A	20-2	N/A	M	65			65					
	21-11	N/A	G-11	I	11						11		
	21-16	20-16	G-16	II	16					16			
	21-24	20-24	G-24	I	24				24				
	21-25	20-25	G-25	I	25				25				
	21-27	20-27	G-27	I	27				27				
	21-35	20-35	G-35	M	79	79							
	21-39	20-39	G-39	I	39				37	2			
	21-41	20-41	G-41	I	41				41				
21-75	N/A	G-75	TWINAX	4								4	
22 & 23	23-1	22-1	H-1	M	100		100						
	23-2	22-2	H-2	M	85			85					
	23-21	22-21	H-21	II	21					21			
	23-32	22-32	H-32	I	32				32				
	23-34	22-34	H-34	I	34				34				
	23-35	22-35	H-35	M	100	100							
	23-36	22-36	H-36	I	36				36				
	23-53	22-53	H-53	I	53				53				
	23-55	22-55	H-55	I	55				55				
	23-97	22-97	H-97	I	16					16			
23-99	22-99	H-99	II	11					11				

TOLERANCE  
 XX ± .010  
 .XXX ± .005  
 ANGLES ± 1°

TITLE  
 INSERT ARRANGEMENT, SERIES I, II & III

SHEET  
 2 OF 3

DWG. NO.  
 MIL-DTL-38999

REV  
 -

<http://www.corsairelectricalconnectors.com> (949) 833-0273



# MIL-DTL-38999

SERIES I, II & III



Shell Size	Insert Arrangement					Contact Size								Notes
	Series I	Series II	Series III	Service Rating	Total # of Contacts	22D	22M	22	20	16	12	10	8	
24 & 25	25-1	24-1	J-1	M	128		128							
	25-2	24-2	J-2	M	100			100						
	25-4	24-4	J-4	I	56				48	8				
	25-7	N/A	J-7	M	99	97							2	①②
	25-8	N/A	J-8	TWINAX	8								8	②
	25-11	N/A	J-11	N	11				2			9		
	25-19	24-19	J-19	I	19						19			
	25-20	N/A	J-20	N	30				10	13		4	3	①②
	25-24	24-24	J-24	I	24					12	12			
	25-29	24-29	J-29	I	29					29				
	25-35	24-35	J-35	M	128	128								
	25-37	N/A	J-37	II	37					37				
	25-43	N/A	J-43	I	43				23	20				
	25-46	N/A	J-46	I	46				40	4			2	①②
	25-61	24-61	J-61	I	61				61					
25-90	N/A	J-90	I	46				40	4			2	①②	

①	<b>Split Service Rating</b>
②	The use of Size 8 SAE-AS39029/90 mand 91 Twinax contacts may derate the Connector with this Insert Arrangement and will require efforts to reduce the splaying of the Contacts. Heat shrink sleeves used with the Size 8 Twinax contacts are rated to 175° C (347° F) maximum.

TOLERANCE  
 XX ± .010  
 .XXX ± .005  
 ANGLES ± 1°

TITLE  
 INSERT ARRANGEMENT, SERIES I, II & III

SHEET  
 3 OF 3

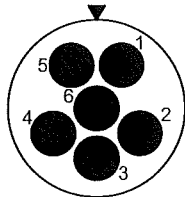
DWG. NO.  
 MIL-DTL-38999

REV  
 -

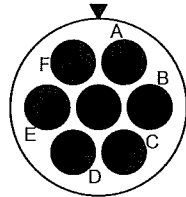
<http://www.corsairelectricalconnectors.com> (949) 833-0273

# MIL-DTL-38999

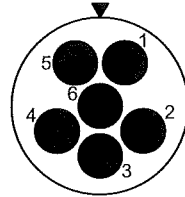
SERIES I, II & III



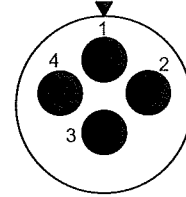
9-6 / 8-6  
A6,  
6 #22M, M



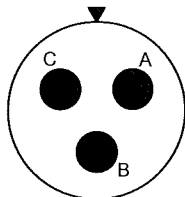
9-7  
A7,  
7 #22D, M



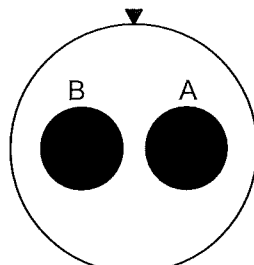
9-35 / 8-35  
A35,  
6 #22D, M



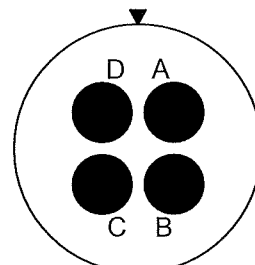
9-44 / 8-44  
A44,  
4 #22, M



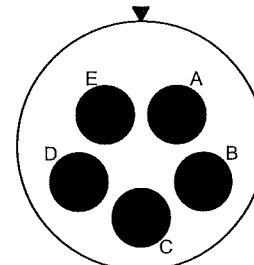
9-98 / 8-98  
A98,  
3 #20, I



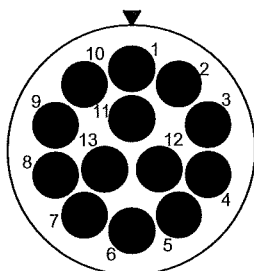
11-2  
B2,  
2 #16, I



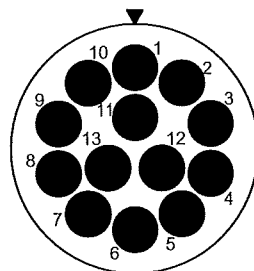
11-4  
B4,  
4 #20, I



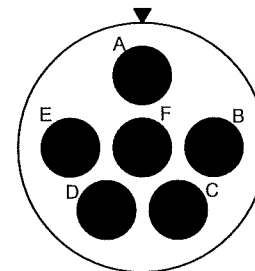
11-5/10-5  
B4,  
5 #20, I



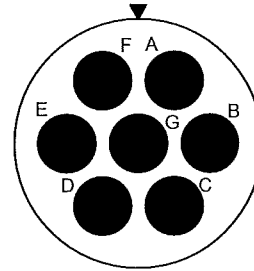
11-13/10-13  
B13,  
13 #22M, M



11-35/10-35  
B35,  
13 #22D, M



11-98/10-98  
B98,  
6 #20, I



11-99/10-99  
B99,  
7 #20, I

CONTACT  
SIZE LEGEND:



SIZE 22D



SIZE 20



SIZE 16



SIZE 12



SIZE 8

TOLERANCE

XX ± .010  
.XXX ± .005  
ANGLES ± 1°

TITLE

MIL-DTL-38999, INSERT ARRANGEMENTS  
SERIES I, II & III

SHEET

1 OF 9

DWG. NO.

MIL-DTL-38999

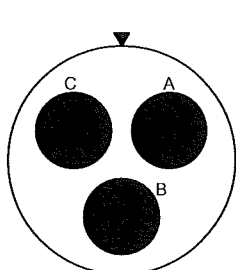
REV

-

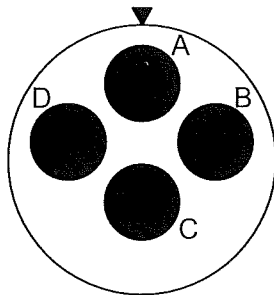
<http://www.corsairelectricalconnectors.com> (949) 833-0273

# MIL-DTL-38999

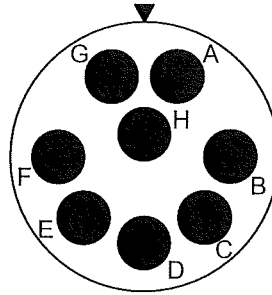
SERIES I, II & III



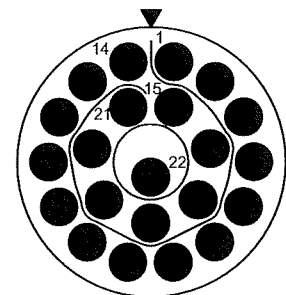
12-3  
3 #16, II



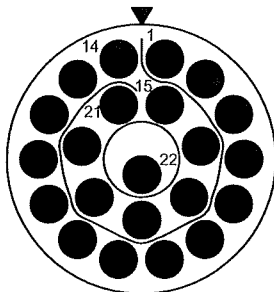
13-4/12-4  
C4,  
4 #16, I



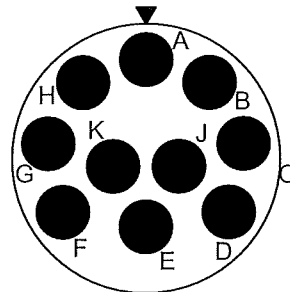
13-8/12-8  
C8,  
4 #20, I



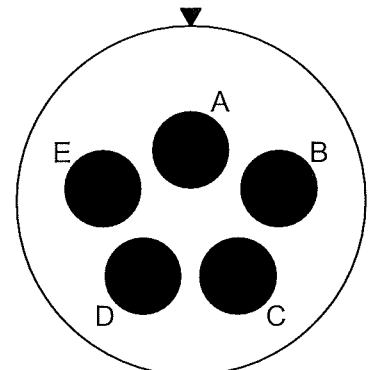
13-22/12-22  
C22,  
22 #22M, M



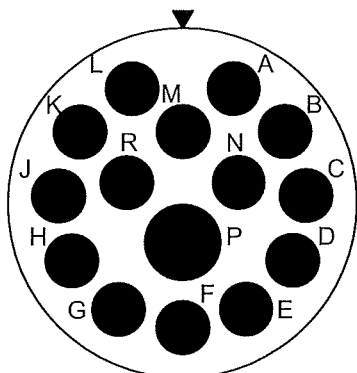
13-35/1235  
C35,  
22 #22D, M



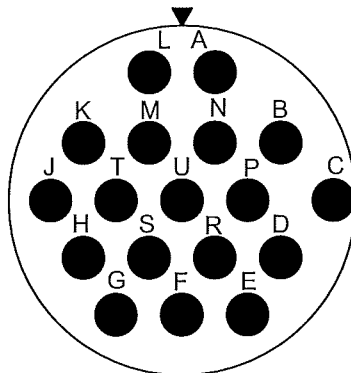
13-98/12-98  
C98,  
10 #20, I



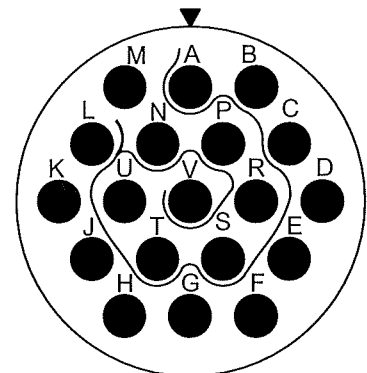
15-5/14-5  
D5,  
5 #16, II



15-15/14-15  
D15,  
1 #16, 14 #20, I



15-18/14-18  
D18,  
18 #20, I



15-19  
D19,  
19 #20, I

CONTACT  
SIZE LEGEND:



TOLERANCE

XX ± .010  
.XXX ± .005  
ANGLES ± 1°

TITLE

MIL-DTL-38999, INSERT ARRANGEMENTS  
SERIES I, II & III

SHEET

2 OF 9

DWG. NO.

MIL-DTL-38999

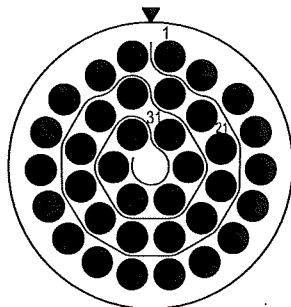
REV

-

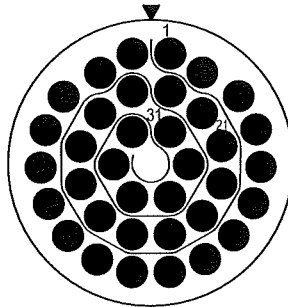
<http://www.corsairelectricalconnectors.com> (949) 833-0273

# MIL-DTL-38999

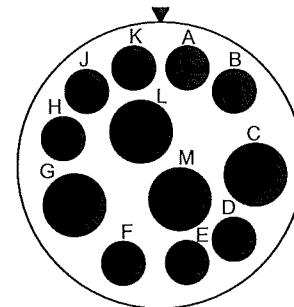
SERIES I, II & III



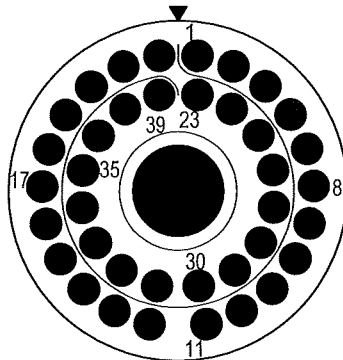
15-35/14-35  
D35,  
37 #22D, M



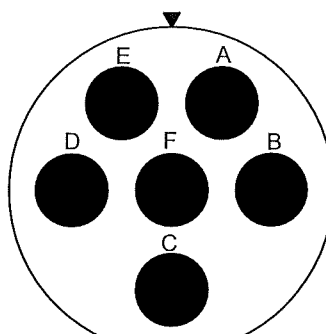
15-37/14-37  
D37,  
37 #22M, M



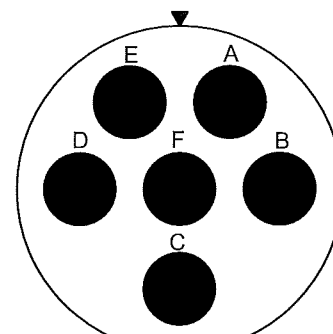
15-97/14-97  
D97,  
4 #16, 8 #20, I



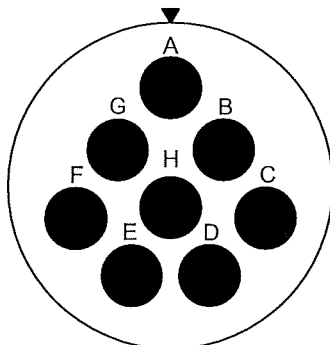
17-2  
E2,  
38 #22D, I 1 #8 TWINAX



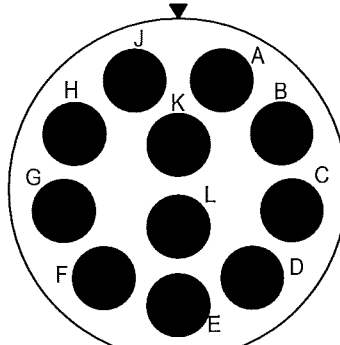
17-6/16-6  
E6,  
6 #12, I



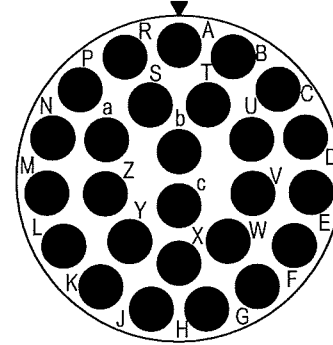
16-7  
6 #12, II



17-8/16-8  
E8,  
8 #16, II

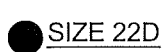


17-11  
E11,  
1 #12 COAX, 2 #12  
TWINAX, 8 #20 N



17-26/16-26  
E26,  
26 #20, I

CONTACT  
SIZE LEGEND:



SIZE 22D



SIZE 20



SIZE 16



SIZE 12



SIZE 8

TOLERANCE  
XX ± .010  
.XXX ± .005  
ANGLES ± 1°

TITLE  
MIL-DTL-38999, INSERT ARRANGEMENTS  
SERIES I, II & III

SHEET  
3 OF 9

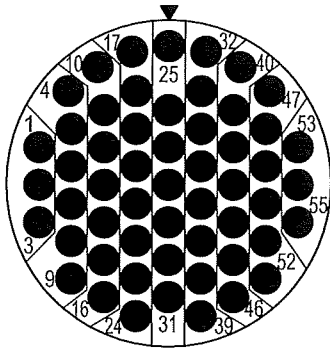
DWG. NO.  
MIL-DTL-38999

REV  
-

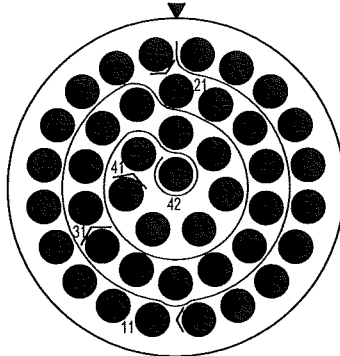
<http://www.corsairelectricalconnectors.com> (949) 833-0273

# MIL-DTL-38999

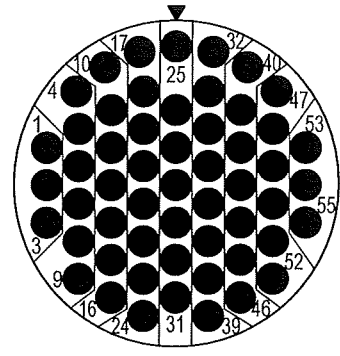
SERIES I, II & III



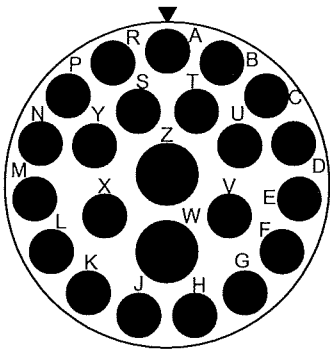
17-35/16-35  
E35,  
55 #22D, M



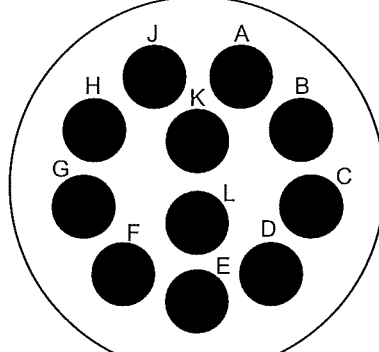
16-42  
42 #22, M



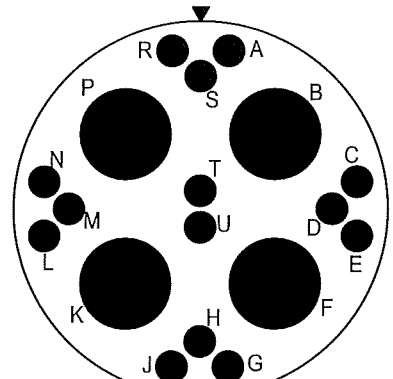
17-55/16-55  
E55,  
55 #22M, M



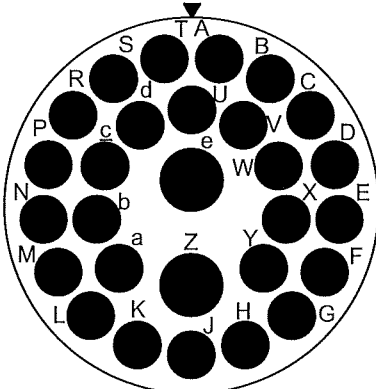
17-99/16-99  
E99,  
2 #16, 21 #20, I



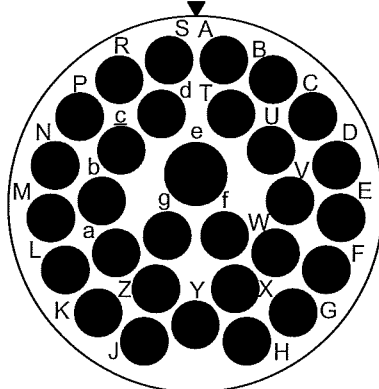
19-11/18-11  
F11,  
11 #16, II



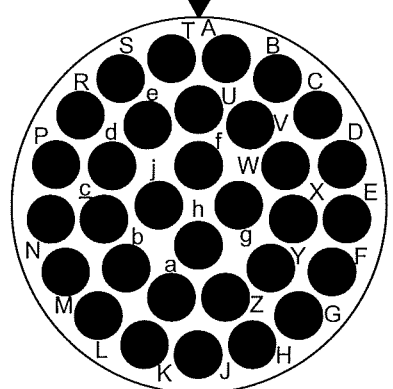
19-18  
F18,  
4 #8, TWINAX, 14, #22D M



19-28/18-28  
F28,  
2 #16, 26 #20, I

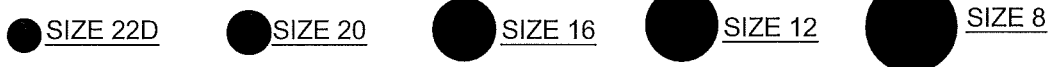


19-30/18-30  
F30,  
1 #16, 29 #20, I



19-32/18-32  
F32,  
32 #20, I

CONTACT  
SIZE LEGEND:



TOLERANCE

XX ± .010  
.XXX ± .005  
ANGLES ± 1°

TITLE

MIL-DTL-38999, INSERT ARRANGEMENTS  
SERIES I, II & III

SHEET

4 OF 9

DWG. NO.

MIL-DTL-38999

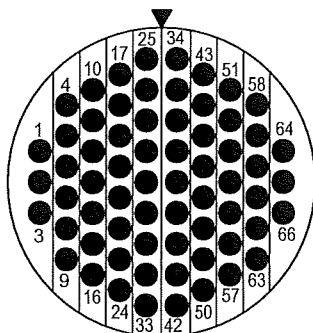
REV

-

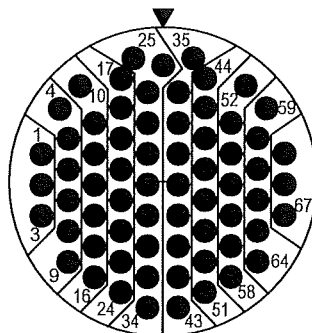
<http://www.corsairelectricalconnectors.com> (949) 833-0273

# MIL-DTL-38999

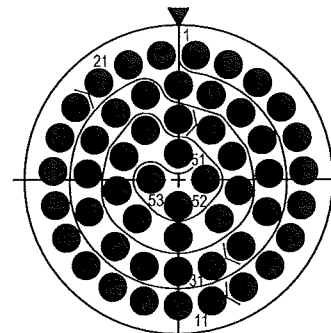
SERIES I, II & III



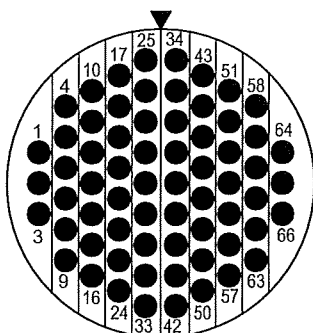
19-35/18-35  
F35,  
66 #22D, M



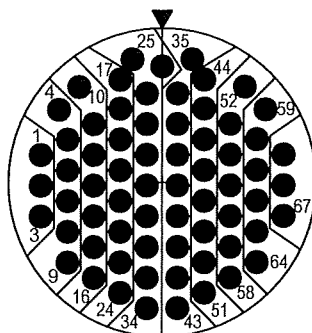
19-45/18-45  
F45,  
67 #22D, M



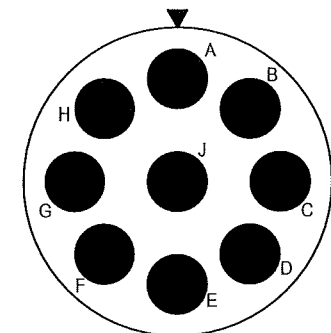
18-53  
53 #22, M



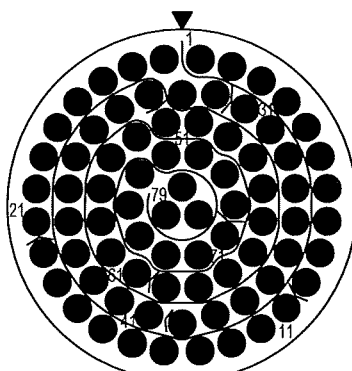
19-66/18-66  
F66,  
66 #22M, M



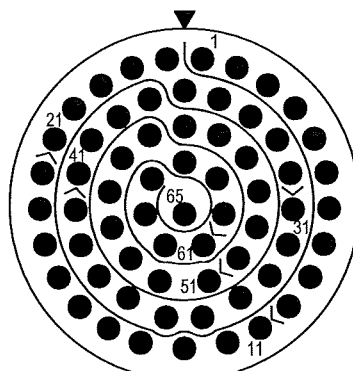
19-67/18-67  
F67,  
67 #22M, M



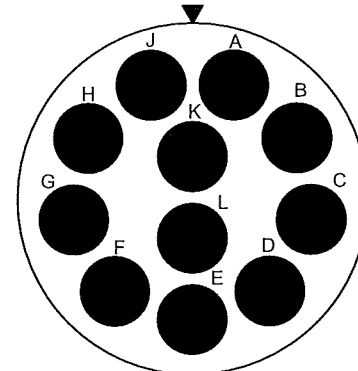
18-96  
9 #12, I



21-1/20-1  
G1,  
79 #22M, M

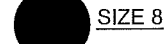
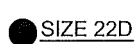


20-2  
65 #22, M



21-11  
G11,  
11 #12, I

CONTACT  
SIZE LEGEND:



TOLERANCE  
XX ± .010  
.XXX ± .005  
ANGLES ± 1°

TITLE  
MIL-DTL-38999, INSERT ARRANGEMENTS  
SERIES I, II & III

SHEET  
5 OF 9

DWG. NO.  
MIL-DTL-38999

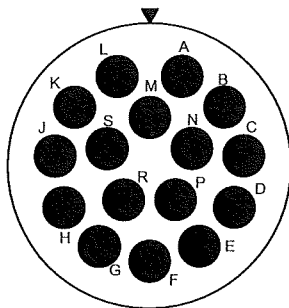
REV  
-

<http://www.corsairelectricalconnectors.com> (949) 833-0273

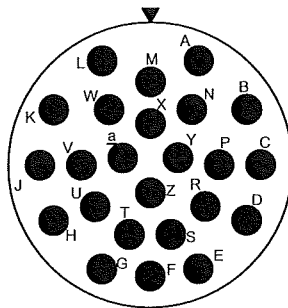


# MIL-DTL-38999

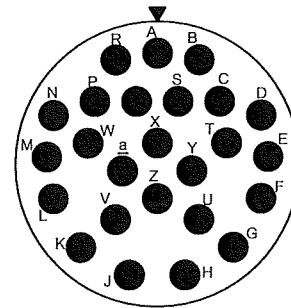
SERIES I, II & III



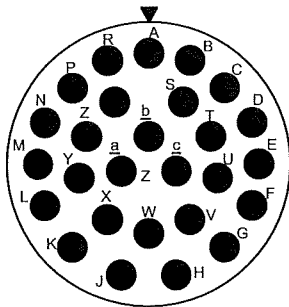
21-16/20-16  
G16,  
16 #12, II



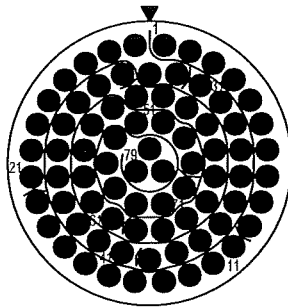
21-24/20-24  
F24,  
24 #20, I



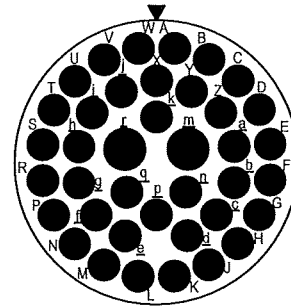
21-25/20-25  
F25,  
25 #20, I



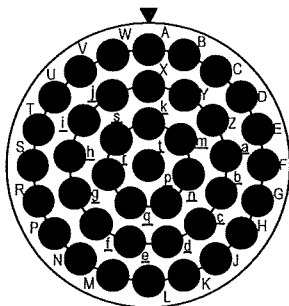
21-27/20-27  
F27,  
27 #20, I



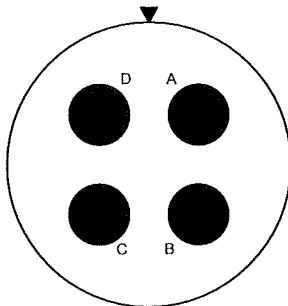
21-35/20-35  
G35  
79 #22D, M



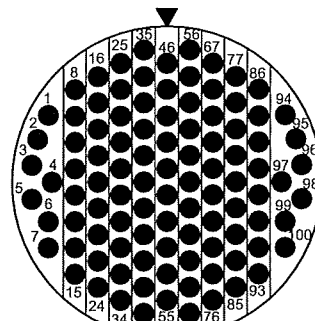
21-39/20-39  
G39  
2 #16, 37 #20, I



21-41/20-41  
G41  
41 #20, I

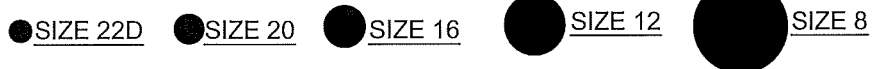


21-75  
G75  
4 #8 TWINAX



23-1/22-1  
H1,  
100 #22M, M

CONTACT SIZE  
LEGEND:



TOLERANCE  
XX ± .010  
.XXX ± .005  
ANGLES ± 1°

TITLE  
MIL-DTL-38999, INSERT ARRANGEMENTS  
SERIES I, II & III

SHEET  
6 OF 9

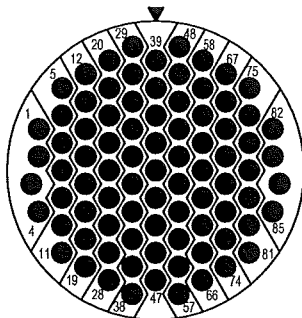
DWG. NO.  
MIL-DTL-38999

REV  
-

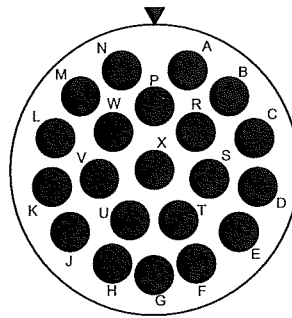
<http://www.corsairelectricalconnectors.com> (949) 833-0273

# MIL-DTL-38999

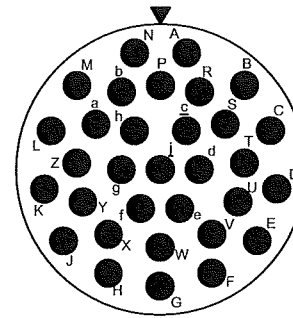
SERIES I, II & III



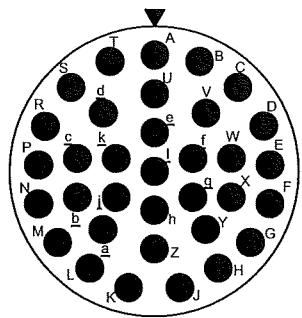
23-21/22-2  
H2,  
85 #22, M



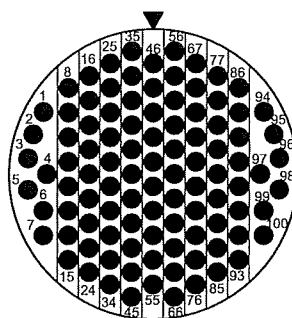
23-21/22-21  
H21,  
21 #16, II



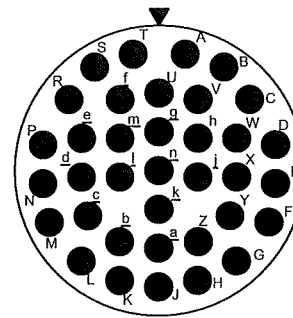
23-32/22-32  
H32,  
32 #20, I



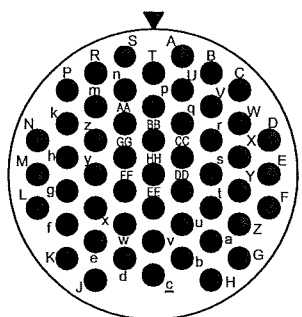
23-34/22-34  
H34,  
34 #20, I



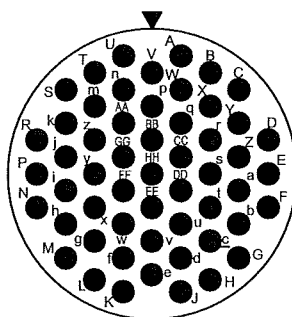
23-35/22-35  
H35,  
100 #22D, M



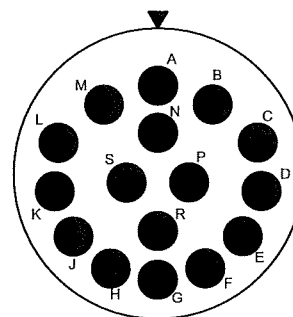
23-36/22-36  
H36,  
36 #20, I



23-53/22-53  
H53,  
53 #20, I



23-55/22-55  
H55,  
55 #20, I



23-97/22-97  
H97,  
16 #16, I

CONTACT

SIZE LEGEND:



TOLERANCE  
XX ± .010  
.XXX ± .005  
ANGLES ± 1°

TITLE  
MIL-DTL-38999, INSERT ARRANGEMENTS  
SERIES I, II & III

SHEET  
7 OF 9

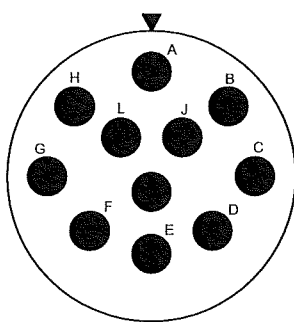
DWG. NO.  
MIL-DTL-38999

REV  
-

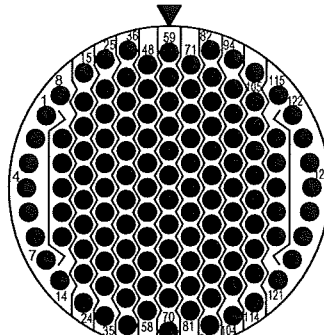
<http://www.corsairelectricalconnectors.com> (949) 833-0273

# MIL-DTL-38999

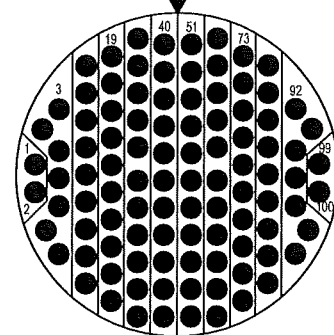
SERIES I, II & III



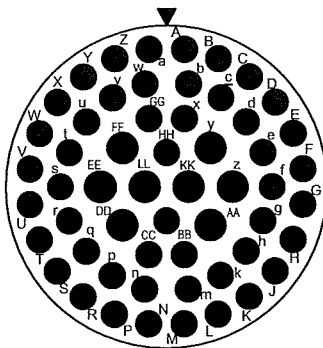
23-99/22-99  
H99,  
11 #16, II



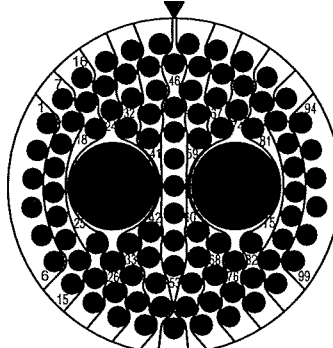
25-1/24-1  
J1,  
128, #22M, M



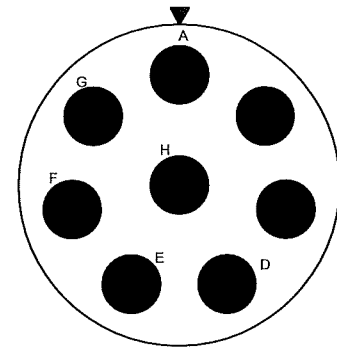
25-2/24-2  
J2,  
100, #22, M



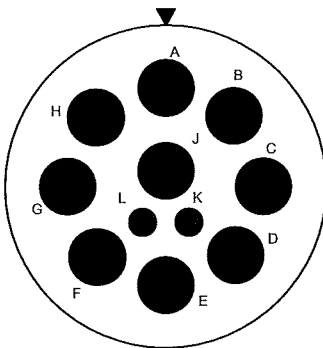
25-4/24-4  
J4,  
8 #16, 48 #20, I



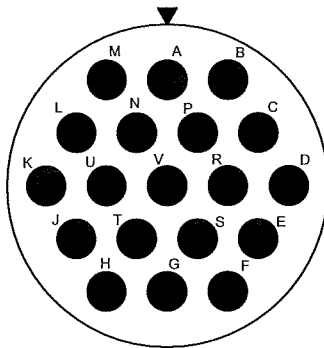
25-7  
J7,  
2 #8, 97 #22D, M



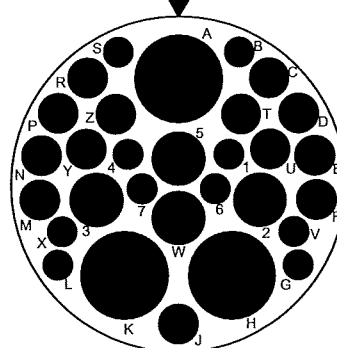
25-8  
J8,  
8 #12, I TWINAX



25-11  
J11,  
2 #20 9 #10, N



25-19/24-19  
J19,  
19 #12, I



25-20/24-20  
J20,  
3 #8 TWINAX, 4 #12 COAX, 13 #16, 10 #20, M

CONTACT  
SIZE LEGEND:



TOLERANCE  
XX ± .010  
.XXX ± .005  
ANGLES ± 1°

TITLE  
MIL-DTL-38999, INSERT ARRANGEMENTS  
SERIES I, II & III

SHEET  
8 OF 9

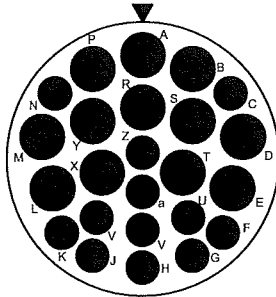
DWG. NO.  
MIL-DTL-38999

REV  
-

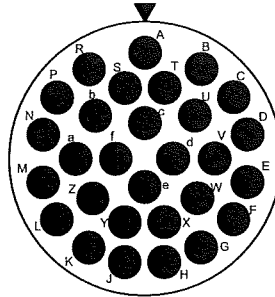
<http://www.corsairelectricalconnectors.com> (949) 833-0273

# MIL-DTL-38999

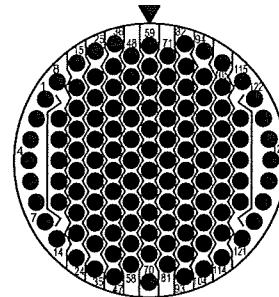
SERIES I, II & III



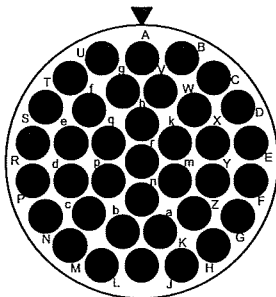
25-24/24-24  
J24,  
12 #12, 12 #16, I



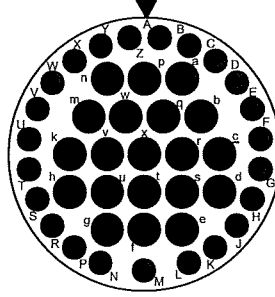
25-29/24-29  
J29  
29 #16, I



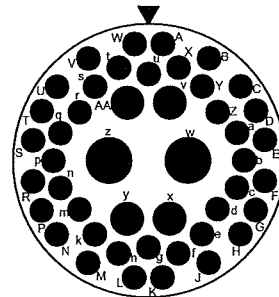
25-35/24-35  
J35,  
128, #22D, M



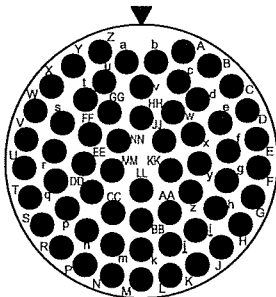
25-37  
J37,  
37, #16, I



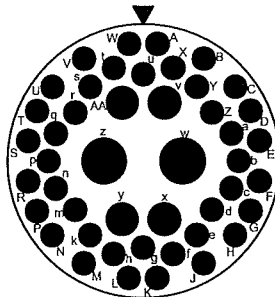
25-43  
J43,  
20 #16, 23 #20, I



25-46  
J46,  
2 #8, COAX, 4 #16, 40 #20, I



25-61/24-61  
J61,  
61 #20, I



25-90  
J90,  
2 #8, TWINAX, 4 #16, 40 #20, I

CONTACT  
SIZE LEGEND:



TOLERANCE  
XX ± .010  
.XXX ± .005  
ANGLES ± 1°

TITLE  
MIL-DTL-38999, INSERT ARRANGEMENTS  
SERIES I, II & III

SHEET  
9 OF 9

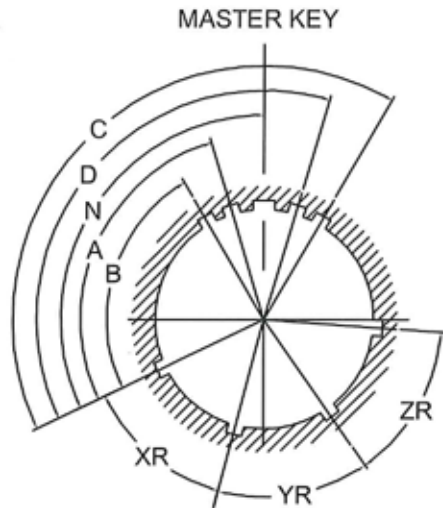
DWG. NO.  
MIL-DTL-38999

REV  
-

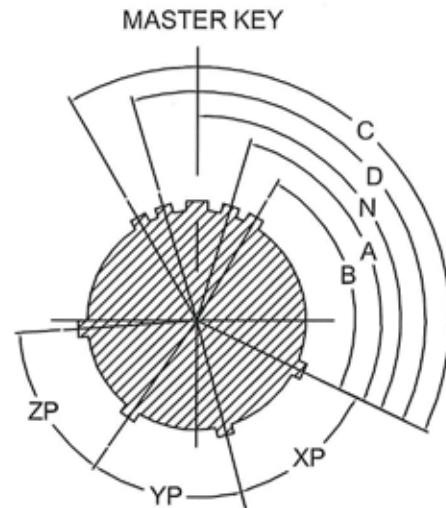
<http://www.corsairelectricalconnectors.com> (949) 833-0273

# MIL-DTL-38999

SERIES I & II



RECEPTACLES



PLUGS

SERIES I ASSEMBLIES, MAIN KEY AND KEYWAY POLARIZATION									
SHELL SIZE	F	NORMAL ROTATION				LETTER DESIGNATION			
		N	XR XP	YR YP	ZR ZP	A	B	C	D
9	5°	95°	45°	88°	27°	77°	---	---	113°
11	5°	95°	45°	88°	27°	81°	67°	123°	109°
13	5°	95°	45°	88°	27°	75°	63°	127°	115°
15	5°	95°	45°	88°	27°	74°	61°	129°	116°
17	5°	95°	45°	88°	27°	77°	65°	125°	113°
19	5°	95°	45°	88°	27°	77°	65°	125°	113°
21	5°	95°	45°	88°	27°	77°	65°	125°	113°
23	5°	95°	45°	88°	27°	80°	69°	121°	110°
25	5°	95°	45°	88°	27°	80°	69°	121°	110°

SERIES II ASSEMBLIES, MAIN KEY AND KEYWAY POLARIZATION									
SHELL SIZE	F	NORMAL ROTATION				LETTER DESIGNATION			
		N	XR XP	YR YP	ZR ZP	A	B	C	D
8	10°	100°	28°	100°	37°	82°	---	---	118°
10	10°	100°	28°	100°	37°	86°	72°	128°	114°
12	10°	100°	28°	100°	37°	80°	68°	132°	120°
14	10°	100°	28°	100°	37°	79°	66°	134°	121°
16	10°	100°	28°	100°	37°	82°	70°	130°	118°
18	10°	100°	28°	100°	37°	82°	70°	130°	118°
20	10°	100°	28°	100°	37°	82°	70°	130°	118°
22	10°	100°	28°	100°	37°	85°	74°	126°	115°
24	10°	100°	28°	100°	37°	85°	74°	126°	115°

TOLERANCE  
 XX ± .010  
 .XXX ± .005  
 ANGLES ± 1°

TITLE  
 MAIN KEY/KEYWAY POLARIZATION, SERIES I AND II,  
 MIL-DTL-38999

SHEET  
 1 OF 1

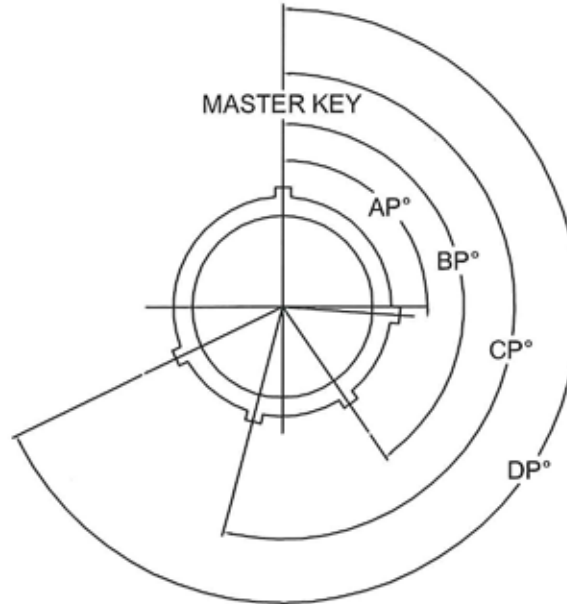
DWG. NO.  
 D38999

REV  
 -

<http://www.corsairelectricalconnectors.com> (949) 833-0273

# MIL-DTL-38999

## SERIES III



MAIN KEY AND KEYWAY POLARIZATION					
SHELL SIZE	KEY AND KEYWAY ARRANGEMENT IDENTIFICATION LETTER	AP° BSC	BP° BSC	CP° BSC	DP° BSC
9	N	105	140	215	265
	A	102	132	248	320
	B	80	118	230	312
	C	35	140	205	275
	D	64	155	234	304
11, 13, AND 15	E	91	131	197	240
	N	95	141	208	236
	A	113	156	182	292
	B	90	147.5	195	252
	C	53	156	220	255
17 AND 19	D	119	146	176	298
	E	51	141	184	242
	N	80	142	196	293
	A	135	170	200	310
	B	49	169	200	244
21, 23, AND 25	C	66	140	200	257
	D	62	147.5	180	280
	E	79	153	197	272
	N	80	142	196	293
	A	135	170	200	310
21, 23, AND 25	B	49	169	200	244
	C	66	140	200	257
	D	62	145	180	280
	E	79	153	197	272

ACCESSORY THREADS			
SHELL SIZE	MS SHELL CODE	ACCESSORY THREAD	NUMBER OF TEETH
9	A	M12 X 1-6g	12
11	B	M15 X 1-6g	16
13	C	M18 X 1-6g	20
15	D	M22 X 1-6g	24
17	E	M25 X 1-6g	28
19	F	M28 X 1-6g	32
21	G	M31 X 1-6g	36
23	H	M34 X 1-6g	40
25	J	M37 X 1-6g	44

MATING THREADS		
SHELL SIZE	MS SHELL SIZE CODE	MATING THREAD
9	A	.6250-0.1P0-.3L
11	B	.7500-0.1-0.3L
13	C	.8750-0.1P-0.3L
15	D	1.000-0.1P0-.3L
17	E	1.18750-0.1P-0.3L
19	F	1.2500-0.1P-0.3L
21	G	1.3750-0.1P0-.3L
23	H	1.500-0.1-0.3L
25	J	1.6250-0.1P-0.3L

TOLERANCE  
 XX ± .010  
 .XXX ± .005  
 ANGLES ± 1°

TITLE  
 MAIN KEY/KEYWAY POLARIZATION, SERIES III,  
 MIL-DTL-38999

SHEET  
 1 OF 1

DWG. NO.  
 D38999

REV  
 -

<http://www.corsairelectricalconnectors.com> (949) 833-0273



# MIL-DTL-5015

## SERIES II



MILITARY PREFIX      MS340      01      D      J      S      24      A - 16      P      W

CORSAIR PREFIX      AS340      01      D      J      S      24      A - 16      P      W

**CONNECTOR CONFIGURATION**

- 01 RECEPTACLE, WALL MOUNT
- 11 RECEPTACLE, CABLE CONNECTING
- 21 RECEPTACLE, SINGLE HOLE MOUNT
- 41 RECEPTACLE, JAM NUT
- 61 PLUG, STANDARD

**CLASS (MATERIALS/FINISH)**

- D ALUMINUM HARDWARE, CADMIUM OVER NICKEL OLIVE DRAB FINISH, SILICONE ELASTOMER
- DS STAINLESS STEEL (316) HARDWARE, BLACK CADMIUM FINISH, SILICONE ELASTOMER.
- LS STAINLESS STEEL, PASSIVATED, FLUID RESISTANT INSERT
- L ALUMINUM, ELECTROLESS NICKEL
- W ALUMINUM, OLIVE DRAB CADMIUM OVER ELECTROLESS NICKEL BASE, (500 HR CORROSION RESISTANT)

**BACKSHELL DESIGNATOR**

- J ENVIRONMENTAL BACKSHELL AND CONNECTOR ASSEMBLY.

**BACKSHELL CLASS CODE**

- S STAINLESS STEEL (316) CONNECTOR AND BACKSHELL

**SHELL SIZE**

8S, 10S, 10SL, 12, 12S, 14, 14S, 16, 16S, 18, 20, 22, 24, 28, 32, 36, 40,44, AND 48

**SEALING RANGE**

BACKSHELL SEALING RANGE WHEN ORDERING "DJ" ASSEMBLIES.

**INSERT ARRANGEMENT**

REFER TO LAYOUT PATTERNS PER MIL-DTL-1651

**CONTACT TYPE**

- P PIN
- S SOCKET
- A CONNECTOR LESS PINS
- B CONNECTOR LESS SOCKETS

**POLARIZATION**

- N NORMAL (NOT INCLUDED IN PART NUMBER)
- W, X, Y, OR Z ALTERNATE POSITIONS, REFER TO POLARIZATION CHART

**GENERAL SPECIFICATIONS**

FRONT RELEASE CONTACT RETENTION SYSTEM. 14 SHELL SIZES (8 TO 40) IN OVER 150 INSERT ARRANGEMENTS UTILIZING CONTACT SIZES 16S, 12S, 8, 4, AND 0 GAGE CRIMP CONTACTS PER MIL-C-5015 THREADED COUPLING MECHANISM.

**OPERATING TEMPERATURE RANGE:**  
 CLASS L: -55 C (-67 F) TO 200 C (392 F)  
 CLASS W: -55 C (-67 F) TO 175 C (347 F)

ENVIRONMENTAL FLOUROSILICONE ELASTOMERS

REFER TO ADDITIONAL CONTACT AND TOOLING INFORMATION

**TOLERANCE**

- XX ± .010
- .XXX ± .005
- ANGLES ± 1°

**TITLE**

MIL-DTL-5015, SERIES II, CORSAIR PART NUMBER CROSS REFERENCE

**SHEET**

1 OF 1

**DWG. NO.**

M5015

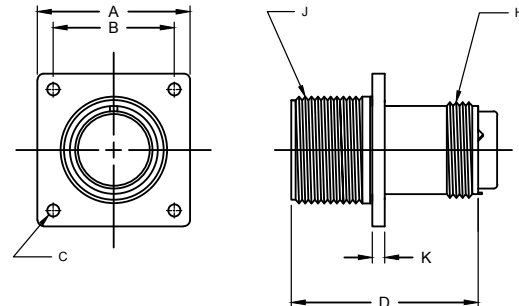
**REV**

-

<http://www.corsairelectricalconnectors.com> (949) 833-0273

# AS34001

MIL-DTL-5015 SERIES II



Shell Size	A ±.031	B	C		D		H Thread Class 2A	J Thread Class 2B	K
			A, F, R & W	K	16 & 12	8, 4 & 0			
8S	.875	.594	.120	.150	2.031	-	1/2-20 UNEF	1/2-28 UNEF	.083
10S	1.000	.719	.120	.150	2.031	-	5/8-24 UNEF	5/8-24 UNEF	.083
10SL	1.000	.719	.120	.150	2.031	-	5/8-24 UNEF	5/8-24 UNEF	.083
12	1.094	.812	.120	.150	2.125	-	3/4-20 UNEF	3/4-20 UNEF	.083
12S	1.094	.812	.120	.150	2.031	-	3/4-20 UNEF	3/4-20 UNEF	.083
14	1.188	.906	.120	.150	2.125	-	7/8-20 UNEF	7/8-20 UNEF	.083
14S	1.188	.906	.120	.150	2.031	-	7/8-20 UNEF	7/8-20 UNEF	.083
16	1.281	.969	.120	.150	2.125	2.500	1-20 UNEF	1-20 UNEF	.083
16S	1.281	.969	.120	.150	2.031	-	1-20 UNEF	1-20 UNEF	.083
18	1.375	1.062	.120	.177	2.125	2.500	1 1/16-18 UNEF	1 1/8-18 UNEF	.125
20	1.500	1.156	.120	.177	2.125	2.500	1 3/16-18 UNEF	1 1/4-18 UNEF	.125
22	1.625	1.250	.120	.177	2.125	2.500	1 5/16-18 UNEF	1 3/8-18 UNEF	.125
24	1.750	1.375	.147	.177	2.125	2.500	1 7/16-18 UNEF	1 1/2-18 UNEF	.125
28	2.000	1.562	.147	.177	2.125	2.500	1 3/4-18 UNS	1 3/4-18 UNS	.125
32	2.250	1.750	.173	.209	2.125	2.500	2 18 UNS	2 18 UNS	.125
36	2.500	1.938	.173	.209	2.125	2.500	2 1/4-16 UN	2 1/4-16 UN	.125
40	2.750	2.188	.173	.209	2.125	2.500	2 1/2-16 UN	2 1/2-16 UN	.125
44	3.000	2.375	.173	.209	2.125	2.500	2 3/4-16 UN	2 3/4-16 UN	.125
48	3.250	2.625	.173	.209	2.125	2.500	3-16 UN	3-16 UN	.125

TOLERANCE  
 XX ± .010  
 .XXX ± .005  
 ANGLES ± 1°

TITLE  
 CONNECTOR, ELECTRICAL, WALL MTG.  
 RECEPTACLE, CRIMP CONTACTS, MIL-DTL-5015 SERIES II

SHEET  
 1 OF 1

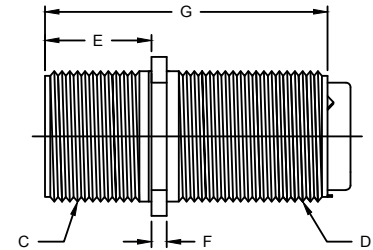
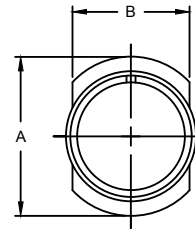
DWG. NO.  
 AS34001

REV  
 -

<http://www.corsairelectricalconnectors.com> (949) 833-0273

# AS34011

MIL-DTL-5015 SERIES II



Shell Size	A	B		C Coupling Threads Class 2A	D Accessory Thread Class 2A	E +.031 -0.000	F ±.015	G	
	±.031	Max	Min					Max Contact Size 16 & 12	8, 4, & 0
8S	0.729	0.504	0.496	1/2-28 UNEF	1/2-20 UNEF	0.562	0.830	2.031	-
10S	0.854	0.629	0.621	5/8-24 UNEF	5/8-24 UNEF	0.562	0.830	2.031	-
10SL	0.854	0.629	0.621	5/8-24 UNEF	5/8-24 UNEF	0.562	0.830	2.031	-
12S	0.974	0.754	0.746	3/4-20 UNEF	3/4-20 UNEF	0.562	0.830	2.031	-
12	0.974	0.754	0.746	3/4-20 UNEF	3/4-20 UNEF	0.750	0.830	2.125	-
14S	1.099	0.879	0.871	7/8-20 UNEF	7/8-20 UNEF	0.562	0.830	2.031	-
14	1.099	0.879	0.871	7/8-20 UNEF	7/8-20 UNEF	0.750	0.830	2.125	-
16S	1.224	1.005	0.996	1-20 UNEF	1-20 UNEF	0.562	0.830	2.031	-
16	1.224	1.005	0.996	1-20 UNEF	1-20 UNEF	0.750	0.830	2.125	2.500
18	1.349	1.131	1.121	1 1/8-18 UNEF	1 1/16-18 UNEF	0.750	0.125	2.125	2.500
20	1.474	1.256	1.246	1 1/4-18 UNEF	1 3/16-18 UNEF	0.750	0.125	2.125	2.500
22	1.599	1.381	1.371	1 3/8-18 UNEF	1 5/16-18 UNEF	0.750	0.125	2.125	2.500
24	1.715	1.506	1.496	1 1/2-18 UNEF	1 7/16-18 UNEF	0.812	0.125	2.125	2.500
28	1.974	1.756	1.746	1 3/4-18 UNS	1 3/4-18 UNEF	0.812	0.125	2.125	2.500
32	2.224	2.007	1.996	2-18 UNS	2-18 UNS	0.875	0.125	2.125	2.500
36	2.474	2.257	2.246	2 1/4-16 UN	2 1/4-16 UN	0.875	0.125	2.125	2.500
40	2.724	2.511	2.496	2 1/2-16 UN	2 1/2-16 UN	0.875	0.125	2.125	2.500
44	2.974	2.746	2.761	2 3/4-16 UN	2 3/4-16 UN	0.875	0.125	2.125	2.500
48	3.224	2.996	3.011	3-16 UN	3-16 UN	0.875	0.125	2.125	2.500

TOLERANCE  
XX ± .010  
.XXX ± .005  
ANGLES ± 1°

TITLE  
CONNECTOR, ELECTRICAL, CABLE MTG.  
RECEPTACLE, CRIMP CONTACTS, MIL-DTL-5015 SERIES II

SHEET  
1 OF 1

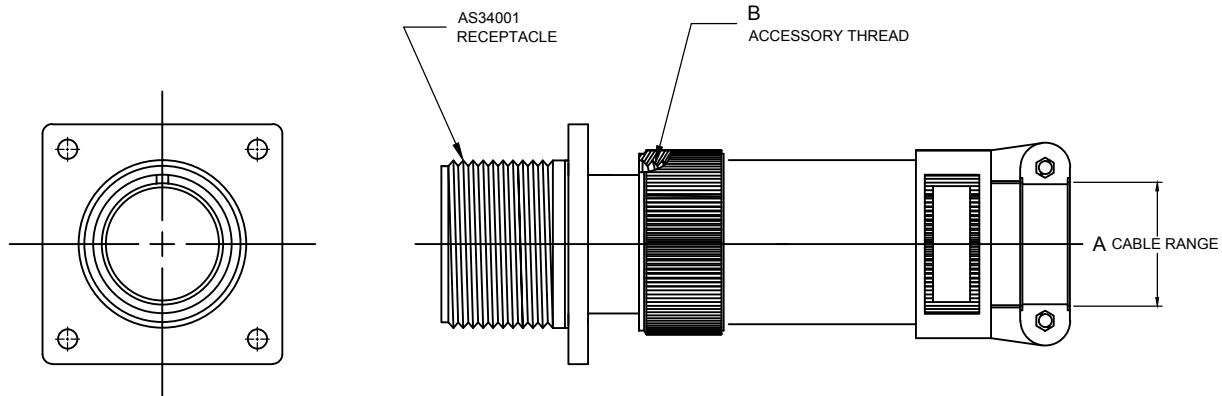
DWG. NO.  
AS34011

REV  
-

<http://www.corsairelectricalconnectors.com> (949) 833-0273

# AS34001DJ

## MIL-DTL-5015 SERIES II



Assembly P/N	Backshell P/N	Superseding Assembly N <sup>o</sup>	'A' Cable Entry		'B' Thread Class 2
			Max	Min	
MS3400DJ 10 A- XX	AS85049/11-9W	MS3437B-9A	0.312	0.125	.625-24UNEF
MS3400DJ 10 B- XX	AS85049/11-11W	MS3437B-11A	0.437	0.250	.625-24UNEF
MS3400DJ 10 D- XX	AS85049/11-136W	MS3437B-136A	0.375	0.250	.625-24UNEF
MS3400DJ 11 A- XX	AS85049/11-9W	MS3437B-9A	0.312	0.125	.625-24UNEF
MS3400DJ 11 B- XX	AS85049/11-11W	MS3437B-11A	0.437	0.250	.625-24UNEF
MS3400DJ 11 D- XX	AS85049/11-136W	MS3437B-136A	0.375	0.250	.625-24UNEF
MS3400DJ 12 A- XX	AS85049/11-114W	MS3437B-114A	0.312	0.125	.750-20UNEF
MS3400DJ 12 B- XX	AS85049/11-15W	MS3437B-15A	0.625	0.350	.750-20UNEF
MS3400DJ 12 D- XX	AS85049/11-138W	MS3437B-138A	0.500	0.350	.750-20UNEF
MS3400DJ 12 E- XX	AS85049/11-13W	MS3437B-13A	0.437	0.250	.750-20UNEF
MS3400DJ 13 A- XX	AS85049/11-114W	MS3437B-114A	0.312	0.125	.750-20UNEF
MS3400DJ 13 B- XX	AS85049/11-15W	MS3437B-15A	0.625	0.350	.750-20UNEF
MS3400DJ 13 D- XX	AS85049/11-138W	MS3437B-138A	0.500	0.350	.750-20UNEF
MS3400DJ 13 E- XX	AS85049/11-13W	MS3437B-13A	0.437	0.250	.750-20UNEF
MS3400DJ 14 A- XX	AS85049/11-116W	MS3437B-116A	0.437	0.250	.875-20UNEF
MS3400DJ 14 B- XX	AS85049/11-19W	MS3437B-19A	0.750	0.500	.875-20UNEF
MS3400DJ 14 D- XX	AS85049/11-17W	MS3437B-17A	0.575	0.350	.875-20UNEF
MS3400DJ 14 E- XX	AS85049/11-150W	MS3437B-150A	0.312	0.125	.875-20UNEF
MS3400DJ 15 A- XX	AS85049/11-116W	MS3437B-116A	0.437	0.250	.875-20UNEF
MS3400DJ 15 B- XX	AS85049/11-19W	MS3437B-19A	0.750	0.500	.875-20UNEF
MS3400DJ 15 D- XX	AS85049/11-17W	MS3437B-17A	0.575	0.350	.875-20UNEF
MS3400DJ 15 E- XX	AS85049/11-150W	MS3437B-150A	0.312	0.125	.875-20UNEF
MS3400DJ 16 A- XX	AS85049/11-21W	MS3437B-21A	0.700	0.500	1.000-20UNEF
MS3400DJ 16 B- XX	AS85049/11-23W	MS3437B-23A	0.937	0.625	1.000-20UNEF
MS3400DJ 16 D- XX	AS85049/11-112W	MS3437B-112A	0.437	0.250	1.000-20UNEF
MS3400DJ 16 E- XX	AS85049/11-118W	MS3437B-118A	0.625	0.350	1.000-20UNEF

TOLERANCE  
 XX ± .010  
 .XXX ± .005  
 ANGLES ± 1°

TITLE  
 CONNECTOR, ELECTRICAL, WALL MTG.  
 RECEPTACLE W/BACKSHELL & CLAMP  
 CRIMP CONTACTS, MIL-DTL-5015 SERIES II

SHEET  
 1 OF 3

DWG. NO.  
 AS34001DJ

REV  
 -

<http://www.corsairelectricalconnectors.com> (949) 833-0273



# AS34001DJ

## MIL-DTL-5015 SERIES II



Assembly P/N	Backshell P/N	Superseding Assembly N°	'A' Cable Entry		'B' Thread Class 2
			Max	Min	
MS3400DJ 16 A- XX	AS85049/11-21W	MS3437B-21A	0.700	0.500	1.000-20UNEF
MS3400DJ 16 B- XX	AS85049/11-23W	MS3437B-23A	0.937	0.625	1.000-20UNEF
MS3400DJ 16 D- XX	AS85049/11-112W	MS3437B-112A	0.437	0.250	1.000-20UNEF
MS3400DJ 16 E- XX	AS85049/11-118W	MS3437B-118A	0.625	0.350	1.000-20UNEF
MS3400DJ 17 A- XX	AS85049/11-21W	MS3437B-21A	0.700	0.500	1.000-20UNEF
MS3400DJ 17 B- XX	AS85049/11-23W	MS3437B-23A	0.937	0.625	1.000-20UNEF
MS3400DJ 17 D- XX	AS85049/11-112W	MS3437B-112A	0.437	0.250	1.000-20UNEF
MS3400DJ 17 E- XX	AS85049/11-118W	MS3437B-118A	0.625	0.350	1.000-20UNEF
MS3400DJ 18 A- XX	AS85049/11-25W	MS3437B-25A	0.625	0.350	1.125-18UNEF
MS3400DJ 18 B- XX	AS85049/11-27W	MS3437B-27A	0.750	0.500	1.125-18UNEF
MS3400DJ 18 E- XX	AS85049/11-120W	MS3437B-120A	0.312	0.125	1.125-18UNEF
MS3400DJ 18 F- XX	AS85049/11-122W	MS3437B-122A	0.437	0.250	1.125-18UNEF
MS3400DJ 12 A- XX	AS85049/11-31W	MS3437B-31A	0.625	0.350	1.250-18UNEF
MS3400DJ 20 B- XX	AS85049/11-33W	MS3437B-33A	0.750	0.500	1.250-18UNEF
MS3400DJ 20 E- XX	AS85049/11-37W	MS3437B-37A	1.250	0.875	1.250-18UNEF
MS3400DJ 20 F- XX	AS85049/11-124W	MS3437B-124A	0.437	0.250	1.250-18UNEF
MS3400DJ 22 A- XX	AS85049/11-140W	MS3437B-140A	0.904	0.625	1.250-18UNEF
MS3400DJ 22 B- XX	AS85049/11-39W	MS3437B-39A	0.625	0.350	1.375-18UNEF
MS3400DJ 22 D- XX	AS85049/11-41W	MS3437B-41A	0.750	0.500	1.375-18UNEF
MS3400DJ 22 A- XX	AS85049/11-43W	MS3437B-43A	0.937	0.625	1.375-18UNEF
MS3400DJ 22 E- XX	AS85049/11-45W	MS3437B-45A	1.250	0.875	1.375-18UNEF
MS3400DJ 22 F- XX	AS85049/11-125W	MS3437B-125A	0.312	0.125	1.375-18UNEF
MS3400DJ 22 G- XX	AS85049/11-128W	MS3437B-128A	0.437	0.250	1.375-18UNEF
MS3400DJ 22 H- XX	AS85049/11-142W	MS3437B-142A	1.029	0.875	1.375-18UNEF
MS3400DJ 24 A- XX	AS85049/11-47W	MS3437B-47A	0.750	0.500	1.500-18UNEF
MS3400DJ 24 B- XX	AS85049/11-49W	MS3437B-49A	0.812	0.625	1.500-18UNEF
MS3400DJ 24 D- XX	AS85049/11-51W	MS3437B-51A	0.937	0.625	1.500-18UNEF
MS3400DJ 24 E- XX	AS85049/11-53W	MS3437B-53A	1.250	0.875	1.500-18UNEF
MS3400DJ 24 F- XX	AS85049/11-130W	MS3437B-130A	0.625	0.350	1.500-18UNEF
MS3400DJ 24 G- XX	AS85049/11-144W	MS3437B-144A	1.144	0.875	1.500-18UNEF
MS3400DJ 28 A- XX	AS85049/11-55W	MS3437B-55A	0.750	0.500	1.750-18UNS
MS3400DJ 28 B- XX	AS85049/11-57W	MS3437B-57A	0.937	0.625	1.750-18UNS
MS3400DJ 28 D- XX	AS85049/11-59W	MS3437B-59A	1.250	0.875	1.750-18UNS
MS3400DJ 28 E- XX	AS85049/11-61W	MS3437B-61A	1.375	1.000	1.750-18UNS
MS3400DJ 32 A- XX	AS85049/11-63W	MS3437B-63A	0.937	0.625	2.00-18UNS
MS3400DJ 32 B- XX	AS85049/11-65W	MS3437B-65A	1.250	0.875	2.00-18UNS
MS3400DJ 32 D- XX	AS85049/11-67W	MS3437B-67A	1.375	1.000	2.00-18UNS
MS3400DJ 32 E- XX	AS85049/11-69W	MS3437B-69A	1.625	1.250	2.00-18UNS

TOLERANCE  
 XX ± .010  
 .XXX ± .005  
 ANGLES ± 1°

TITLE  
 CONNECTOR, ELECTRICAL, WALL MTG.  
 RECEPTACLE W/BACKSHELL & CLAMP  
 CRIMP CONTACTS, MIL-DTL-5015 SERIES II

SHEET  
 2 OF 3

DWG. NO.  
 AS34001DJ

REV  
 -

<http://www.corsairelectricalconnectors.com> (949) 833-0273

# AS34001DJ

## MIL-DTL-5015 SERIES II



### AS34001DJ CONNECTORS

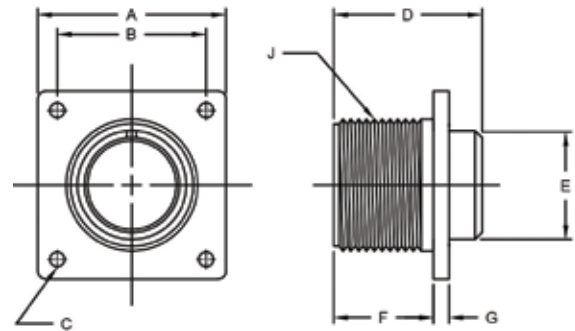
Assembly P/N	Backshell P/N	Superseding Assembly N°	'A' Cable Entry		'B' Thread Class 2
			Max	Min	
MS3400DJ 32 A- XX	AS85049/11-63W	MS3437B-63A	0.937	0.625	2.00-18UNS
MS3400DJ 32 B- XX	AS85049/11-65W	MS3437B-65A	1.250	0.875	2.00-18UNS
MS3400DJ 32 D- XX	AS85049/11-67W	MS3437B-67A	1.375	1.000	2.00-18UNS
MS3400DJ 32 E- XX	AS85049/11-69W	MS3437B-69A	1.625	1.250	2.00-18UNS
MS3400DJ 36 A- XX	AS85049/11-71W	MS3437B-71A	1.250	0.875	2.250-16UN
MS3400DJ 36 B- XX	AS85049/11-73W	MS3437B-73A	1.375	1.000	2.250-16UN
MS3400DJ 36 D- XX	AS85049/11-75W	MS3437B-75A	1.625	1.250	2.250-16UN
MS3400DJ 36 E- XX	AS85049/11-146W	MS3437B-146A	1.840	1.437	2.250-16UN
MS3400DJ 36 G- XX	AS85049/11-132W	MS3437B-132A	0.750	0.500	2.250-16UN
MS3400DJ 36 F- XX	AS85049/11-148W	MS3437B-148A	0.937	0.625	2.250-16UN
MS3400DJ 40 A- XX	AS85049/11-79W	MS3437B-79A	1.250	0.875	2.500-16UN
MS3400DJ 40 B- XX	AS85049/11-81W	MS3437B-81A	1.375	1.000	2.500-16UN
MS3400DJ 40 D- XX	AS85049/11-83W	MS3437B-83A	1.625	1.250	2.500-16UN
MS3400DJ 40 E- XX	AS85049/11-85W	MS3437B-85A	1.840	1.437	2.500-16UN
MS3400DJ 40 F- XX	AS85049/11-134W	MS3437B-134A	0.750	0.500	2.500-16UN
MS3400DJ 44 A- XX	AS85049/11-87W	MS3437B-87A	1.250	0.875	2.750-16UN
MS3400DJ 44 B- XX	AS85049/11-89W	MS3437B-89A	1.375	1.000	2.750-16UN
MS3400DJ 44 D- XX	AS85049/11-91W	MS3437B-91A	1.625	1.250	2.750-16UN
MS3400DJ 44 E- XX	AS85049/11-93W	MS3437B-93A	1.840	1.437	2.750-16UN
MS3400DJ 44 F- XX	AS85049/11-154W	MS3437B-154A	0.937	0.625	2.750-16UN

TOLERANCE XX ± .010 .XXX ± .005 ANGLES ± 1°	TITLE CONNECTOR, ELECTRICAL, WALL MTG. RECEPTACLE W/BACKSHELL & CLAMP CRIMP CONTACTS, MIL-DTL-5015 SERIES II	SHEET	DWG. NO.	REV
		3 OF 3	AS34001DJ	-
<a href="http://www.corsairelectricalconnectors.com">http://www.corsairelectricalconnectors.com</a> (949) 833-0273				



# AS34021

MIL-DTL-5015 SERIES II



SHELL SIZE	A ±.31	B T.P.	C	D Size 16 & 12 Contacts	D Size 8, 4 & 0 Contacts	E ±.016	F	G ±.015	J THREAD CLASS 2B
8S	.875	.594	.130/.115	1.662	-	.500	.578/.562	.083	1/2-28 UNEF
10S	1.000	.719	.130/.115	1.662	-	.625	.578/.562	.083	5/8-24 UNEF
10SL	1.000	.719	.130/.115	1.662	-	.625	.578/.562	.083	5/8-24 UNEF
12	1.094	.812	.130/.115	1.662	-	.750	.765/.750	.083	3/4-20 UNEF
12S	1.094	.812	.130/.115	1.662	-	.750	.577/.562	.083	3/4-20 UNEF
14	1.188	.906	.130/.115	1.662	-	.875	.765/.750	.083	7/8-20 UNEF
14S	1.188	.906	.130/.115	1.662	-	.875	.577/.562	.083	7/8-20 UNEF
16	1.281	.969	.130/.115	1.662	1.937	1.000	.765/.750	.083	1-20 UNEF
16S	1.281	.969	.130/.115	1.662	-	1.000	.577/.562	.083	1-20 UNEF
18	1.375	1.062	.130/.115	1.662	1.937	1.062	.765/.750	.125	1-1/8-18 UNEF
20	1.500	1.156	.130/.115	1.662	1.937	1.187	.765/.750	.125	1-1/4-18 UNEF
22	1.625	1.250	.130/.115	1.662	1.937	1.312	.765/.750	.125	1-3/8-18 UNEF
24	1.750	1.375	.130/.115	1.662	1.937	1.437	.827/.812	.125	1-1/2-18 UNEF
28	2.000	1.562	.130/.115	1.662	1.937	1.750	.827/.812	.125	1-3/4-18 UNS
32	2.250	1.750	.130/.115	1.662	1.937	2.000	.988/.875	.125	2-18 UNS
36	2.500	1.938	.130/.115	1.662	1.937	2.250	.988/.875	.125	2-1/4-16 UN
40	2.750	2.188	.130/.115	1.662	1.937	2.500	.988/.875	.125	2-1/2-16 UN
44	3.000	2.375	.130/.115	1.662	1.937	2.750	.988/.875	.125	2-3/4-16 UN
48	3.250	2.625	.130/.115	1.662	1.937	3.000	.988/.875	.125	3-16 UN

TOLERANCE  
 XX ± .010  
 .XXX ± .005  
 ANGLES ± 1°

TITLE  
 CONNECTOR, ELECTRICAL, BOX WALL MTG.  
 RECEPTACLE, CRIMP CONTACTS, MIL-DTL-5015 SERIES II

SHEET  
 1 OF 1

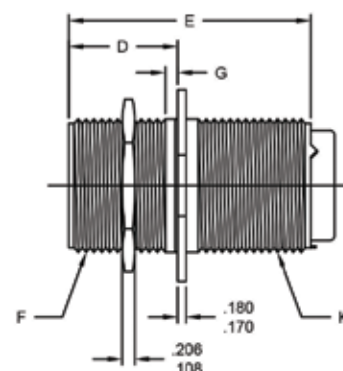
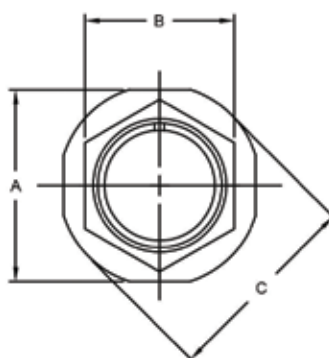
DWG. NO.  
 AS34021

REV  
 -

<http://www.corsairelectricalconnectors.com> (949) 833-0273

# AS34041

MIL-DTL-5015 SERIES II



Size	A Max.		B ±.005	C +.000 -.005	D +.015 -.000	E ±.005	F ±.010	G ±.006	H	J Coupling Thread Class 2A	K Accessory Thread Class 2A
	Size 1, 2, 3, 4, 5, 6, 7, 8, 9, 10, 11, 12, 13, 14, 15, 16, 17, 18, 19, 20, 21, 22, 23, 24, 25, 26, 27, 28, 29, 30, 31, 32, 33, 34, 35, 36, 37, 38, 39, 40, 41, 42, 43, 44, 45, 46, 47, 48	Size 1, 2, 3, 4, 5, 6, 7, 8, 9, 10, 11, 12, 13, 14, 15, 16, 17, 18, 19, 20, 21, 22, 23, 24, 25, 26, 27, 28, 29, 30, 31, 32, 33, 34, 35, 36, 37, 38, 39, 40, 41, 42, 43, 44, 45, 46, 47, 48									
8S	2.031	-	.720	.500	.505	1.072	.865	.326	.020	1/2-28 UNEF	1/2-20 UNEF
10S	2.031	-	.720	.625	.630	1.193	.990	.385	.020	5/8-24 UNEF	5/8-24 UNEF
10SL	2.031	-	.720	.625	.630	1.193	.990	.385	.020	5/8-24 UNEF	5/8-24 UNEF
12S	2.031	-	.720	.750	.755	1.317	1.050	.448	.020	3/4-20 UNEF	3/4-20 UNEF
12	2.125	-	.966	.750	.755	1.317	1.050	.448	.020	3/4-20 UNEF	3/4-20 UNEF
14S	2.031	-	.720	.875	.880	1.443	1.175	.510	.020	7/8-20 UNEF	7/8-20 UNEF
14	2.125	-	.966	.875	.880	1.443	1.175	.510	.020	7/8-20 UNEF	7/8-20 UNEF
16S	2.031	-	.720	1.000	1.005	1.567	1.300	.573	.020	1-20 UNEF	1-20 UNEF
16	2.125	2.500	.966	1.000	1.005	1.567	1.300	.573	.020	1-20 UNEF	1-20 UNEF
18	2.125	2.500	.966	1.125	1.130	1.693	1.425	.635	.020	1 1/8-18 UNEF	1 1/16-18 UNEF
20	2.125	2.500	.966	1.250	1.255	1.817	1.550	.698	.020	1 1/4-18 UNEF	1 3/16-18 UNEF
22	2.125	2.500	.966	1.375	1.380	1.943	1.550	.760	.026	1 3/8-18 UNEF	1 5/16-18 UNEF
24	2.125	2.500	.966	1.500	1.505	2.067	1.800	.823	.026	1 1/2-18 UNEF	1 7/16-18 UNEF
28	2.125	2.500	.966	1.750	1.755	2.317	1.925	.948	.026	1 3/4-18 UNS	1 3/4-18 UNEF
32	2.125	2.500	.966	2.000	2.003	2.567	2.175	1.073	.026	2-18 UNS	2-18 UNS
36	2.125	2.500	.966	2.250	2.255	2.817	2.550	1.198	.026	2 1/4-16 UN	2 1/4-16 UN
40	2.125	2.500	.966	2.500	2.505	3.061	2.800	1.323	.026	2 1/2-16 UN	2 1/2-16 UN
44	2.125	2.500	.966	2.750	2.755	3.311	3.050	1.448	.026	2 3/4-16 UN	2 3/4-16 UN
48	2.125	2.500	.966	3.000	3.005	3.561	3.300	1.573	.026	3-16 UN	3-16 UN

TOLERANCE  
XX ± .010  
.XXX ± .005  
ANGLES ± 1°

TITLE  
CONNECTOR, ELECTRICAL, JAM NUT MTG.  
RECEPTACLE, CRIMP CONTACTS, MIL-DTL-5015 SERIES II

SHEET  
1 OF 1

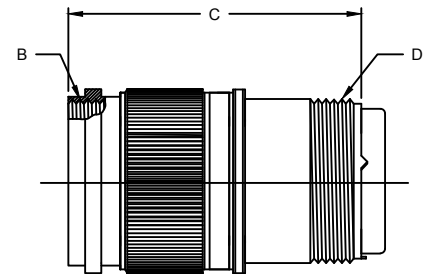
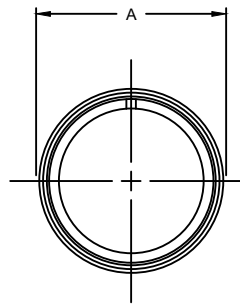
DWG. NO.  
AS34041

REV  
-

<http://www.corsairelectricalconnectors.com> (949) 833-0273

# AS34061

MIL-DTL-5015 SERIES II



Shell Size	A Max.	B Max Contact Size		C Coupling Threads Class 2B	D Accessory Thread Class 2A
		16 & 12	8, 4, & 0		
8S	0.844	2.031	-	1/2-28 UNEF	1/2-20 UNEF
10S	0.969	2.031	-	5/8-24 UNEF	5/8-24 UNEF
10SL	0.969	2.031	-	5/8-24 UNEF	5/8-24 UNEF
12S	1.062	2.031	-	3/4-20 UNEF	3/4-20 UNEF
12	1.062	2.125	-	3/4-20 UNEF	3/4-20 UNEF
14S	1.156	2.031	-	7/8-20 UNEF	7/8-20 UNEF
14	1.156	2.125	-	7/8-20 UNEF	7/8-20 UNEF
16S	1.250	2.031	-	1-20 UNEF	1-20 UNEF
16	1.250	2.125	2.500	1-20 UNEF	1-20 UNEF
18	1.344	2.125	2.500	1 1/8-18 UNEF	1 1/16-18 UNEF
20	1.469	2.125	2.500	1 1/4-18 UNEF	1 3/16-18 UNEF
22	1.594	2.125	2.500	1 3/8-18 UNEF	1 5/16-18 UNEF
24	1.719	2.125	2.500	1 1/2-18 UNEF	1 7/16-18 UNEF
28	1.969	2.125	2.500	1 3/4-18 UNS	1 3/4-18 UNEF
32	2.219	2.125	2.500	2-18 UNS	2-18 UNS
36	2.469	2.125	2.500	2 1/4-16 UN	2 1/4-16 UN
40	2.719	2.125	2.500	2 1/2-16 UN	2 1/2-16 UN

TOLERANCE  
 XX ± .010  
 .XXX ± .005  
 ANGLES ± 1°

TITLE  
 CONNECTOR, ELECTRICAL, PLUG  
 CRIMP CONTACTS, MIL-DTL-5015 SERIES II

SHEET  
 1 OF 1

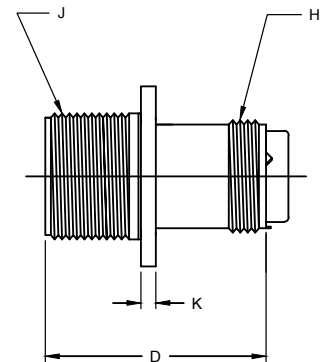
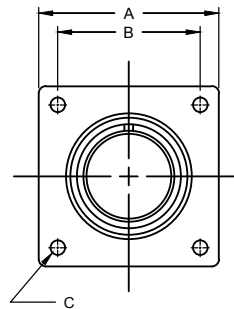
DWG. NO.  
 AS34061

REV  
 -

<http://www.corsairelectricalconnectors.com> (949) 833-0273

# AS34121

MIL-DTL-5015 SERIES II



SHELL SIZE	A ±.031	B T.P.	C +.010 -.005	D		H THREAD CLASS 2A	J THREAD CLASS 2B	K
				16 & 12	8, 4 & 0			
8S	.875	.594	.120	1.662	-	1/2-20 UNEF	1/2-28 UNEF	.083
10S	1.000	.719	.120	1.662	-	5/8-24 UNEF	5/8-24 UNEF	.083
10SL	1.000	.719	.120	1.662	-	5/8-24 UNEF	5/8-24 UNEF	.083
12	1.094	.812	.120	1.662	-	3/4-20 UNEF	3/4-20 UNEF	.083
12S	1.094	.812	.120	1.662	-	3/4-20 UNEF	3/4-20 UNEF	.083
14	1.188	.906	.120	1.662	-	7/8-20 UNEF	7/8-20 UNEF	.083
14S	1.188	.906	.120	1.662	-	7/8-20 UNEF	7/8-20 UNEF	.083
16	1.281	.969	.120	1.662	1.937	1-20 UNEF	1-20 UNEF	.083
16S	1.281	.969	.120	1.662	-	1-20 UNEF	1-20 UNEF	.083
18	1.375	1.062	.120	1.662	1.937	1 1/16-18 UNEF	1 1/8-18 UNEF	.125
20	1.500	1.156	.120	1.662	1.937	1 3/16-18 UNEF	1 1/4-18 UNEF	.125
22	1.625	1.250	.120	1.662	1.937	1 5/16-18 UNEF	1 3/8-18 UNEF	.125
24	1.750	1.375	.147	1.662	1.937	1 7/16-18 UNEF	1 1/2-18 UNEF	.125
28	2.000	1.562	.147	1.662	1.937	1 3/4-18 UNS	1 3/4-18 UNS	.125
32	2.250	1.750	.173	1.662	1.937	2 18 UNS	2 18 UNS	.125
36	2.500	1.938	.173	1.662	1.937	2 1/4-16 UN	2 1/4-16 UN	.125
40	2.750	2.188	.173	1.662	1.937	2 1/2-16 UN	2 1/2-16 UN	.125

TOLERANCE  
XX ± .010  
.XXX ± .005  
ANGLES ± 1°

TITLE  
CONNECTOR, ELECTRICAL, WALL MTG.  
RECEPTACLE, CRIMP CONTACTS, MIL-DTL-5015 SERIES II

SHEET  
1 OF 1

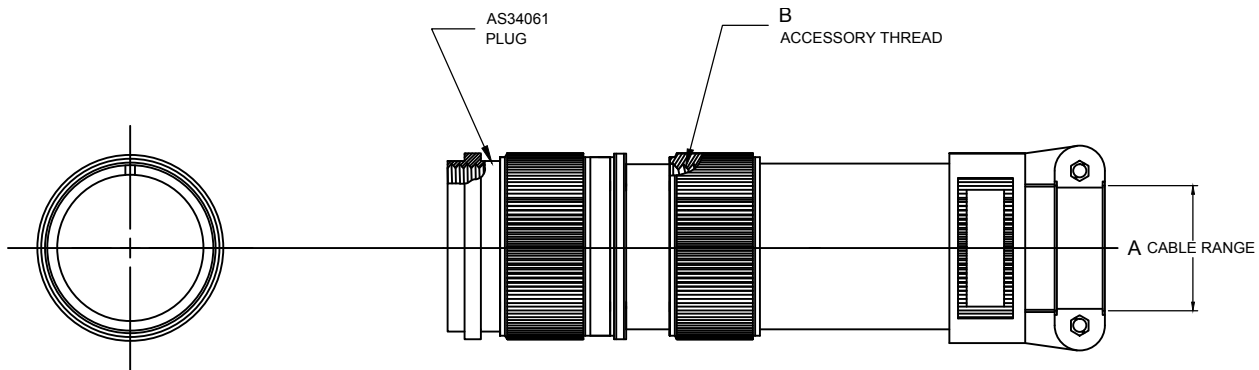
DWG. NO.  
AS34121

REV  
-

<http://www.corsairelectricalconnectors.com> (949) 833-0273

# AS34061DJ

## MIL-DTL-5015 SERIES II



Assembly P/N	Backshell P/N	Superseding Assembly N°	'A' Cable Entry		'B' Thread Class 2
			Max	Min	
MS3406DJ 10 A- XX	AS85049/11-9W	MS3437B-9A	0.312	0.125	.625-24UNEF
MS3406DJ 10 B- XX	AS85049/11-11W	MS3437B-11A	0.437	0.250	.625-24UNEF
MS3406DJ 10 D- XX	AS85049/11-136W	MS3437B-136A	0.375	0.250	.625-24UNEF
MS3406DJ 11 A- XX	AS85049/11-9W	MS3437B-9A	0.312	0.125	.625-24UNEF
MS3406DJ 11 B- XX	AS85049/11-11W	MS3437B-11A	0.437	0.250	.625-24UNEF
MS3406DJ 11 D- XX	AS85049/11-136W	MS3437B-136A	0.375	0.250	.625-24UNEF
MS3406DJ 12 A- XX	AS85049/11-114W	MS3437B-114A	0.312	0.125	.750-20UNEF
MS3406DJ 12 B- XX	AS85049/11-15W	MS3437B-15A	0.625	0.350	.750-20UNEF
MS3406DJ 12 D- XX	AS85049/11-138W	MS3437B-138A	0.500	0.350	.750-20UNEF
MS3406DJ 12 E- XX	AS85049/11-13W	MS3437B-13A	0.437	0.250	.750-20UNEF
MS3406DJ 13 A- XX	AS85049/11-114W	MS3437B-114A	0.312	0.125	.750-20UNEF
MS3406DJ 13 B- XX	AS85049/11-15W	MS3437B-15A	0.625	0.350	.750-20UNEF
MS3406DJ 13 D- XX	AS85049/11-138W	MS3437B-138A	0.500	0.350	.750-20UNEF
MS3406DJ 13 E- XX	AS85049/11-13W	MS3437B-13A	0.437	0.250	.750-20UNEF
MS3406DJ 14 A- XX	AS85049/11-116W	MS3437B-116A	0.437	0.250	.875-20UNEF
MS3406DJ 14 B- XX	AS85049/11-19W	MS3437B-19A	0.750	0.500	.875-20UNEF
MS3406DJ 14 D- XX	AS85049/11-17W	MS3437B-17A	0.575	0.350	.875-20UNEF
MS3406DJ 14 E- XX	AS85049/11-150W	MS3437B-150A	0.312	0.125	.875-20UNEF
MS3406DJ 15 A- XX	AS85049/11-116W	MS3437B-116A	0.437	0.250	.875-20UNEF
MS3406DJ 15 B- XX	AS85049/11-19W	MS3437B-19A	0.750	0.500	.875-20UNEF
MS3406DJ 15 D- XX	AS85049/11-17W	MS3437B-17A	0.575	0.350	.875-20UNEF
MS3406DJ 15 E- XX	AS85049/11-150W	MS3437B-150A	0.312	0.125	.875-20UNEF
MS3406DJ 16 A- XX	AS85049/11-21W	MS3437B-21A	0.700	0.500	1.000-20UNEF
MS3406DJ 16 B- XX	AS85049/11-23W	MS3437B-23A	0.937	0.625	1.000-20UNEF
MS3406DJ 16 D- XX	AS85049/11-112W	MS3437B-112A	0.437	0.250	1.000-20UNEF
MS3406DJ 16 E- XX	AS85049/11-118W	MS3437B-118A	0.625	0.350	1.000-20UNEF

TOLERANCE  
 XX ± .010  
 .XXX ± .005  
 ANGLES ± 1°

TITLE  
 CONNECTOR, ELECTRICAL, PLUG.  
 W/STR BACKSHELL AND CLAMP  
 CRIMP CONTACTS, MIL-DTL-5015 SERIES II

SHEET  
 1 OF 3

DWG. NO.  
 AS34061DJ

REV  
 -

<http://www.corsairelectricalconnectors.com> (949) 833-0273



# AS34061DJ

## MIL-DTL-5015 SERIES II



Assembly P/N	Backshell P/N	Superseding Assembly N°	'A' Cable Entry		'B' Thread Class 2
			Max	Min	
MS3406DJ 17 A- XX	AS85049/11-21W	MS3437B-21A	0.700	0.500	1.000-20UNEF
MS3406DJ 17 B- XX	AS85049/11-23W	MS3437B-23A	0.937	0.625	1.000-20UNEF
MS3406DJ 17 D- XX	AS85049/11-112W	MS3437B-112A	0.437	0.250	1.000-20UNEF
MS3406DJ 17 E- XX	AS85049/11-118W	MS3437B-118A	0.625	0.350	1.000-20UNEF
MS3406DJ 18 A- XX	AS85049/11-25W	MS3437B-25A	0.625	0.350	1.125-18UNEF
MS3406DJ 18 B- XX	AS85049/11-27W	MS3437B-27A	0.750	0.500	1.125-18UNEF
MS3406DJ 18 E- XX	AS85049/11-120W	MS3437B-120A	0.312	0.125	1.125-18UNEF
MS3406DJ 18 F- XX	AS85049/11-122W	MS3437B-122A	0.437	0.250	1.125-18UNEF
MS3406DJ 12 A- XX	AS85049/11-31W	MS3437B-31A	0.625	0.350	1.250-18UNEF
MS3406DJ 20 B- XX	AS85049/11-33W	MS3437B-33A	0.750	0.500	1.250-18UNEF
MS3406DJ 20 E- XX	AS85049/11-37W	MS3437B-37A	1.250	0.875	1.250-18UNEF
MS3406DJ 20 F- XX	AS85049/11-124W	MS3437B-124A	0.437	0.250	1.250-18UNEF
MS3406DJ 22 A- XX	AS85049/11-140W	MS3437B-140A	0.904	0.625	1.250-18UNEF
MS3406DJ 22 B- XX	AS85049/11-39W	MS3437B-39A	0.625	0.350	1.375-18UNEF
MS3406DJ 22 D- XX	AS85049/11-41W	MS3437B-41A	0.750	0.500	1.375-18UNEF
MS3406DJ 22 A- XX	AS85049/11-43W	MS3437B-43A	0.937	0.625	1.375-18UNEF
MS3406DJ 22 E- XX	AS85049/11-45W	MS3437B-45A	1.250	0.875	1.375-18UNEF
MS3406DJ 22 F- XX	AS85049/11-125W	MS3437B-125A	0.312	0.125	1.375-18UNEF
MS3406DJ 22 G- XX	AS85049/11-128W	MS3437B-128A	0.437	0.250	1.375-18UNEF
MS3406DJ 22 H- XX	AS85049/11-142W	MS3437B-142A	1.029	0.875	1.375-18UNEF
MS3406DJ 24 A- XX	AS85049/11-47W	MS3437B-47A	0.750	0.500	1.500-18UNEF
MS3406DJ 24 B- XX	AS85049/11-49W	MS3437B-49A	0.812	0.625	1.500-18UNEF
MS3406DJ 24 D- XX	AS85049/11-51W	MS3437B-51A	0.937	0.625	1.500-18UNEF
MS3406DJ 24 E- XX	AS85049/11-53W	MS3437B-53A	1.250	0.875	1.500-18UNEF
MS3406DJ 24 F- XX	AS85049/11-130W	MS3437B-130A	0.625	0.350	1.500-18UNEF
MS3406DJ 24 G- XX	AS85049/11-144W	MS3437B-144A	1.144	0.875	1.500-18UNEF
MS3406DJ 28 A- XX	AS85049/11-55W	MS3437B-55A	0.750	0.500	1.750-18UNS
MS3406DJ 28 B- XX	AS85049/11-57W	MS3437B-57A	0.937	0.625	1.750-18UNS
MS3406DJ 28 D- XX	AS85049/11-59W	MS3437B-59A	1.250	0.875	1.750-18UNS
MS3406DJ 28 E- XX	AS85049/11-61W	MS3437B-61A	1.375	1.000	1.750-18UNS
MS3406DJ 32 A- XX	AS85049/11-63W	MS3437B-63A	0.937	0.625	2.00-18UNS
MS3406DJ 32 B- XX	AS85049/11-65W	MS3437B-65A	1.250	0.875	2.00-18UNS
MS3406DJ 32 D- XX	AS85049/11-67W	MS3437B-67A	1.375	1.000	2.00-18UNS
MS3406DJ 32 E- XX	AS85049/11-69W	MS3437B-69A	1.625	1.250	2.00-18UNS

TOLERANCE  
 XX ± .010  
 .XXX ± .005  
 ANGLES ± 1°

TITLE  
 CONNECTOR, ELECTRICAL, PLUG.  
 W/STR BACKSHELL AND CLAMP  
 CRIMP CONTACTS, MIL-DTL-5015 SERIES II

SHEET  
 2 OF 3

DWG. NO.  
 AS34061DJ

REV  
 -

<http://www.corsairelectricalconnectors.com> (949) 833-0273



# AS34061DJ

## MIL-DTL-5015 SERIES II



Assembly P/N	Backshell P/N	Superseding Assembly N°	'A' Cable Entry		'B' Thread Class 2
			Max	Min	
MS3406DJ 32 A- XX	AS85049/11-63W	MS3437B-63A	0.937	0.625	2.00-18UNS
MS3406DJ 32 B- XX	AS85049/11-65W	MS3437B-65A	1.250	0.875	2.00-18UNS
MS3406DJ 32 D- XX	AS85049/11-67W	MS3437B-67A	1.375	1.000	2.00-18UNS
MS3406DJ 32 E- XX	AS85049/11-69W	MS3437B-69A	1.625	1.250	2.00-18UNS
MS3406DJ 36 A- XX	AS85049/11-71W	MS3437B-71A	1.250	0.875	2.250-16UN
MS3406DJ 36 B- XX	AS85049/11-73W	MS3437B-73A	1.375	1.000	2.250-16UN
MS3406DJ 36 D- XX	AS85049/11-75W	MS3437B-75A	1.625	1.250	2.250-16UN
MS3406DJ 36 E- XX	AS85049/11-146W	MS3437B-146A	1.840	1.437	2.250-16UN
MS3406DJ 36 G- XX	AS85049/11-132W	MS3437B-132A	0.750	0.500	2.250-16UN
MS3406DJ 36 F- XX	AS85049/11-148W	MS3437B-148A	0.937	0.625	2.250-16UN
MS3406DJ 40 A- XX	AS85049/11-79W	MS3437B-79A	1.250	0.875	2.500-16UN
MS3406DJ 40 B- XX	AS85049/11-81W	MS3437B-81A	1.375	1.000	2.500-16UN
MS3406DJ 40 D- XX	AS85049/11-83W	MS3437B-83A	1.625	1.250	2.500-16UN
MS3406DJ 40 E- XX	AS85049/11-85W	MS3437B-85A	1.840	1.437	2.500-16UN
MS3406DJ 40 F- XX	AS85049/11-134W	MS3437B-134A	0.750	0.500	2.500-16UN
MS3406DJ 44 A- XX	AS85049/11-87W	MS3437B-87A	1.250	0.875	2.750-16UN
MS3406DJ 44 B- XX	AS85049/11-89W	MS3437B-89A	1.375	1.000	2.750-16UN
MS3406DJ 44 D- XX	AS85049/11-91W	MS3437B-91A	1.625	1.250	2.750-16UN
MS3406DJ 44 E- XX	AS85049/11-93W	MS3437B-93A	1.840	1.437	2.750-16UN
MS3406DJ 44 F- XX	AS85049/11-154W	MS3437B-154A	0.937	0.625	2.750-16UN

TOLERANCE  
 XX ± .010  
 .XXX ± .005  
 ANGLES ± 1°

TITLE  
 CONNECTOR, ELECTRICAL, PLUG.  
 W/STR BACKSHELL AND CLAMP  
 CRIMP CONTACTS, MIL-DTL-5015 SERIES II

SHEET  
 3 OF 3

DWG. NO.  
 AS34061DJ

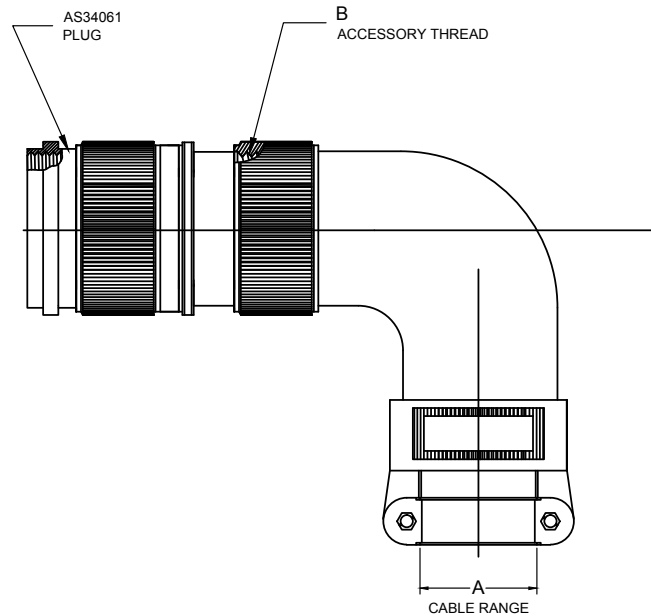
REV

-

<http://www.corsairelectricalconnectors.com> (949) 833-0273

# AS34081DJ

## MIL-DTL-5015 SERIES II



Assembly No.	Backshell AsseASbly No.	Superseding Assembly N°	A		B Thread Class 2B
			Cable Entry MAX	MIN	
MS3408DJ 10 A- XX	AS85049/9- 04W	MS3188B-04A	0.312	0.125	.625-24UNEF
MS3408DJ 10 B- XX	AS85049/9- 49W	MS3188B-49A	0.437	0.250	.625-24UNEF
MS3408DJ 10 D- XX	AS85049/9- 05W	MS3188B-05A	0.375	0.250	.625-24UNEF
MS3408DJ 11 A- XX	AS85049/9- 04W	MS3188B-04A	0.312	0.125	.625-24UNEF
MS3408DJ 11 B- XX	AS85049/9- 49W	MS3188B-49A	0.437	0.250	.625-24UNEF
MS3408DJ 11 D- XX	AS85049/9- 05W	MS3188B-05A	0.375	0.250	.625-24UNEF
MS3408DJ 12 A- XX	AS85049/9- 06W	MS3188B-06A	0.312	0.125	.750-20UNEF
MS3408DJ 12 B- XX	AS85049/9- 71W	MS3188B-71A	0.625	0.350	.750-20UNEF
MS3408DJ 12 D- XX	AS85049/9- 08W	MS3188B-08A	0.500	0.350	.750-20UNEF
MS3408DJ 12 E- XX	AS85049/9- 07W	MS3188B-07A	0.437	0.250	.750-20UNEF
MS3408DJ 13 A- XX	AS85049/9- 06W	MS3188B-06A	0.312	0.125	.750-20UNEF
MS3408DJ 13 B- XX	AS85049/9- 71W	MS3188B-71A	0.625	0.350	.750-20UNEF
MS3408DJ 13 D- XX	AS85049/9- 08W	MS3188B-08A	0.500	0.350	.750-20UNEF
MS3408DJ 13 E- XX	AS85049/9- 07W	MS3188B-07A	0.437	0.250	.750-20UNEF
MS3408DJ 14 A- XX	AS85049/9- 09W	MS3188B-09A	0.437	0.250	.875-20UNEF
MS3408DJ 14 B- XX	AS85049/9- 50W	MS3188B-50A	0.750	0.500	.875-20UNEF
MS3408DJ 14 D- XX	AS85049/9- 10W	MS3188B-10A	0.575	0.350	.875-20UNEF
MS3408DJ 14 E- XX	AS85049/9- 74W	MS3188B-74A	0.312	0.125	.875-20UNEF
MS3408DJ 15 A- XX	AS85049/9- 09W	MS3188B-09A	0.437	0.250	.875-20UNEF
MS3408DJ 15 B- XX	AS85049/9- 50W	MS3188B-50A	0.750	0.500	.875-20UNEF
MS3408DJ 15 D- XX	AS85049/9- 10W	MS3188B-10A	0.575	0.350	.875-20UNEF
MS3408DJ 15 E- XX	AS85049/9- 74W	MS3188B-74A	0.312	0.125	.875-20UNEF

TOLERANCE  
 XX ± .010  
 .XXX ± .005  
 ANGLES ± 1°

TITLE  
 CONNECTOR, ELECTRICAL, PLUG.  
 W/90 DEG BACKSHELL AND CLAMP  
 CRIMP CONTACTS, MIL-DTL-5015 SERIES II

SHEET  
 1 OF 3

DWG. NO.  
 AS34081DJ

REV  
 -

<http://www.corsairelectricalconnectors.com> (949) 833-0273

# AS34081DJ

## MIL-DTL-5015 SERIES II



Assembly No.	Backshell AsseASbly No.	Superseding Assembly N°	A Cable Entry		B Thread Class 2B
			MAX	MIN	
MS3408DJ 16 A- XX	AS85049/9- 12W	MS3188B-12A	0.700	0.500	1.000-20UNEF
MS3408DJ 16 B- XX	AS85049/9- 51W	MS3188B-51A	0.937	0.625	1.000-20UNEF
MS3408DJ 16 D- XX	AS85049/9- 11W	MS3188B-11A	0.437	0.250	1.000-20UNEF
MS3408DJ 16 E- XX	AS85049/9- 40W	MS3188B-40A	0.625	0.350	1.000-20UNEF
MS3408DJ 17 A- XX	AS85049/9- 12W	MS3188B-12A	0.700	0.500	1.000-20UNEF
MS3408DJ 17 B- XX	AS85049/9- 51W	MS3188B-51A	0.937	0.625	1.000-20UNEF
MS3408DJ 17 D- XX	AS85049/9- 11W	MS3188B-11A	0.437	0.250	1.000-20UNEF
MS3408DJ 17 E- XX	AS85049/9- 40W	MS3188B-40A	0.625	0.350	1.000-20UNEF
MS3408DJ 18 A- XX	AS85049/9- 13W	MS3188B-13A	0.625	0.350	1.125-18UNEF
MS3408DJ 18 B- XX	AS85049/9- 52W	MS3188B-52A	0.750	0.500	1.125-18UNEF
MS3408DJ 18 E- XX	AS85049/9- 41W	MS3188B-41A	0.312	0.125	1.125-18UNEF
MS3408DJ 18 F- XX	AS85049/9- 42W	MS3188B-42A	0.437	0.250	1.125-18UNEF
MS3408DJ 20 A- XX	AS85049/9- 15W	MS3188B-15A	0.625	0.350	1.125-18UNEF
MS3408DJ 20 B- XX	AS85049/9- 54W	MS3188B-54A	0.750	0.500	1.125-18UNEF
MS3408DJ 20 E- XX	AS85049/9- 55W	MS3188B-55A	1.250	0.875	1.125-18UNEF
MS3408DJ 20 F- XX	AS85049/9- 43W	MS3188B-43A	0.437	0.250	1.125-18UNEF
MS3408DJ 20 G- XX	AS85049/9- 16W	MS3188B-16A	0.904	0.625	1.125-18UNEF
MS3408DJ 22 A- XX	AS85049/9- 56W	MS3188B-56A	0.625	0.350	1.375-18UNEF
MS3408DJ 22 B- XX	AS85049/9- 17W	MS3188B-17A	0.750	0.500	1.375-18UNEF
MS3408DJ 22 D- XX	AS85049/9- 57W	MS3188B-57A	0.937	0.625	1.375-18UNEF
MS3408DJ 22 E- XX	AS85049/9- 58W	MS3188B-58A	1.250	0.875	1.375-18UNEF
MS3408DJ 22 F- XX	AS85049/9- 44W	MS3188B-44A	0.312	0.125	1.375-18UNEF
MS3408DJ 22 G- XX	AS85049/9- 45W	MS3188B-45A	0.437	0.250	1.375-18UNEF
MS3408DJ 22 H- XX	AS85049/9- 18W	MS3188B-18A	1.029	0.875	1.375-18UNEF
MS3408DJ 24 A- XX	AS85049/9- 19W	MS3188B-19A	0.750	0.500	1.500-18UNEF
MS3408DJ 24 D- XX	AS85049/9- 59W	MS3188B-59A	0.937	0.625	1.500-18UNEF
MS3408DJ 24 E- XX	AS85049/9- 73W	MS3188B-73A	1.250	0.875	1.500-18UNEF
MS3408DJ 24 F- XX	AS85049/9- 46W	MS3188B-46A	0.625	0.350	1.500-18UNEF
MS3408DJ 24G- XX	AS85049/9- 20W	MS3188B-20A	1.144	0.875	1.500-18UNEF
MS3408DJ 28 A- XX	AS85049/9- 60W	MS3188B-60A	0.750	0.500	1.750-18UNS
MS3408DJ 28 B- XX	AS85049/9- 21W	MS3188B-21A	0.937	0.625	1.750-18UNS
MS3408DJ 28 D- XX	AS85049/9- 61W	MS3188B-61A	1.250	0.875	1.750-18UNS
MS3408DJ 28 E- XX	AS85049/9- 22W	MS3188B-22A	1.375	1.000	1.750-18UNS
MS3408DJ 32 A- XX	AS85049/9- 23W	MS3188B-23A	0.937	0.625	2.000-18UNS
MS3408DJ 32 B- XX	AS85049/9- 24W	MS3188B-24A	1.125	0.875	2.000-18UNS
MS3408DJ 32 D- XX	AS85049/9- 62W	MS3188B-62A	1.375	1.000	2.000-18UNS
MS3408DJ 32 E- XX	AS85049/9- 25W	MS3188B-25A	1.625	1.250	2.000-18UNS

TOLERANCE XX ± .010 .XXX ± .005 ANGLES ± 1°	TITLE CONNECTOR, ELECTRICAL, PLUG. W/90 DEG BACKSHELL AND CLAMP CRIMP CONTACTS, MIL-DTL-5015 SERIES II	SHEET	DWG. NO.	REV
		2 OF 3	AS34081DJ	-
http://www.corsairelectricalconnectors.com (949) 833-0273				

# AS34081DJ

## MIL-DTL-5015 SERIES II



Assembly No.	Backshell AsseASbly No.	Superseding Assembly N°	A Cable Entry		B Thread Class 2B
			MAX	MIN	
MS3408DJ 36 A- XX	AS85049/9- 63W	MS3188B-63A	1.125	0.875	2.250-16UN
MS3408DJ 36 B- XX	AS85049/9- 27W	MS3188B-27A	1.375	1.000	2.250-16UN
MS3408DJ 36 D- XX	AS85049/9- 64W	MS3188B-64A	1.625	1.250	2.250-16UN
MS3408DJ 36 E- XX	AS85049/9- 28W	MS3188B-28A	1.840	1.437	2.250-16UN
MS3408DJ 36 F- XX	AS85049/9- 47W	MS3188B-47A	0.750	0.500	2.250-16UN
MS3408DJ 36 G- XX	AS85049/9- 26W	MS3188B-26A	0.937	0.625	2.250-16UN
MS3408DJ 40 A- XX	AS85049/9- 65W	MS3188B-65A	1.250	0.875	2.250-16UN
MS3408DJ 40 B- XX	AS85049/9- 30W	MS3188B-30A	1.375	1.000	2.250-16UN
MS3408DJ 40 D- XX	AS85049/9- 66W	MS3188B-66A	1.625	1.250	2.250-16UN
MS3408DJ 40 E- XX	AS85049/9- 31W	MS3188B-31A	1.840	1.437	2.250-16UN
MS3408DJ 40 F- XX	AS85049/9- 48W	MS3188B-48A	0.750	0.500	2.250-16UN
MS3408DJ 44 A- XX	AS85049/9- 67W	MS3188B-67A	1.250	0.875	2.750-16UN
MS3408DJ 44 B- XX	AS85049/9- 33W	MS3188B-33A	1.375	1.000	2.750-16UN
MS3408DJ 44 D- XX	AS85049/9- 68W	MS3188B-68A	1.625	1.250	2.750-16UN
MS3408DJ 44 E- XX	AS85049/9- 34W	MS3188B-34A	1.840	1.437	2.750-16UN
MS3408DJ 44 F- XX	AS85049/9- 32W	MS3188B-32A	0.937	0.625	2.750-16UN

TOLERANCE  
 XX ± .010  
 .XXX ± .005  
 ANGLES ± 1°

TITLE  
 CONNECTOR, ELECTRICAL, PLUG.  
 W/90 DEG BACKSHELL AND CLAMP  
 CRIMP CONTACTS, MIL-DTL-5015 SERIES II

SHEET  
 3 OF 3

DWG. NO.  
 AS34081DJ

REV

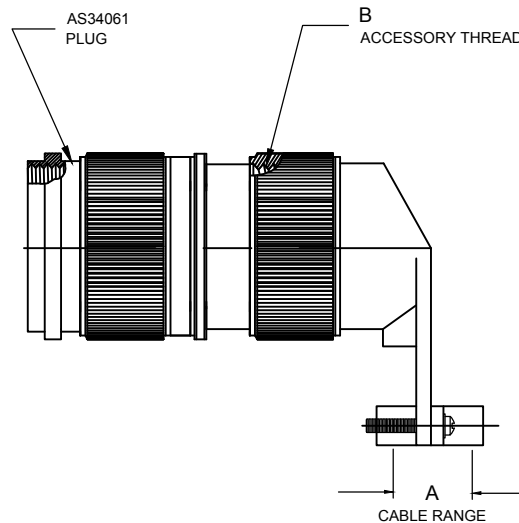
-

<http://www.corsairelectricalconnectors.com> (949) 833-0273



# AS34081D

## MIL-DTL-5015 SERIES II



Assembly No.	Backshell Assembly No.	Superseding Assembly N°	A Cable Entry		B Thread Class 2B
			MAX	MIN	
MS3408D 10S - XX	AS85049/51- 110 X	MS3418-10 X	0.286	0.187	.625-24UNEF
MS3408D 10SL - XX	AS85049/51- 110 X	MS3418-10 X	0.286	0.187	.625-24UNEF
MS3408D 12S - XX	AS85049/51- 112 X	MS3418-12 X	0.416	0.291	.750-20UNEF
MS3408D 12 - XX	AS85049/51- 112 X	MS3418-12 X	0.416	0.291	.750-20UNEF
MS3408D 14S - XX	AS85049/51- 114 X	MS3418-14 X	0.476	0.351	.875-20UNEF
MS3408D 14 - XX	AS85049/51- 114 X	MS3418-14 X	0.476	0.351	.875-20UNEF
MS3408D 16S - XX	AS85049/51- 116 X	MS3418-16 X	0.626	0.501	1.000-20UNEF
MS3408D 16 - XX	AS85049/51- 116 X	MS3418-16 X	0.626	0.501	1.000-20UNEF
MS3408D 18 - XX	AS85049/51- 118 X	MS3418-18 X	0.706	0.518	1.125-18UNEF
MS3408D 20 - XX	AS85049/51- 120 X	MS3418-20 X	0.831	0.581	1.125-18UNEF
MS3408D 22 - XX	AS85049/51- 122 X	MS3418-22 X	0.956	0.644	1.375-18UNEF
MS3408D 24 - XX	AS85049/51- 124 X	MS3418-24 X	1.081	0.706	1.500-18UNEF
MS3408D 28 - XX	AS85049/51- 128 X	MS3418-28 X	1.187	0.750	1.750-18UNS
MS3408D 32 - XX	AS85049/51- 132 X	MS3418-32 X	1.250	0.875	2.000-18UNS
MS3408D 36 - XX	AS85049/51- 136 X	MS3418-36 X	1.375	0.938	2.250-16UN
MS3408D 40 - XX	AS85049/51- 140 X	MS3418-40 X	1.500	0.938	2.250-16UN
MS3408D 44 - XX	AS85049/51- 144 X	MS3418-48 X	1.750	1.188	2.750-16UN

TOLERANCE  
 XX ± .010  
 .XXX ± .005  
 ANGLES ± 1°

TITLE  
 CONNECTOR, ELECTRICAL, PLUG.  
 W/90 DEG BACKSHELL CLAMP  
 CRIMP CONTACTS, MIL-DTL-5015 SERIES II

SHEET  
 1 OF 1

DWG. NO.  
 AS34081D

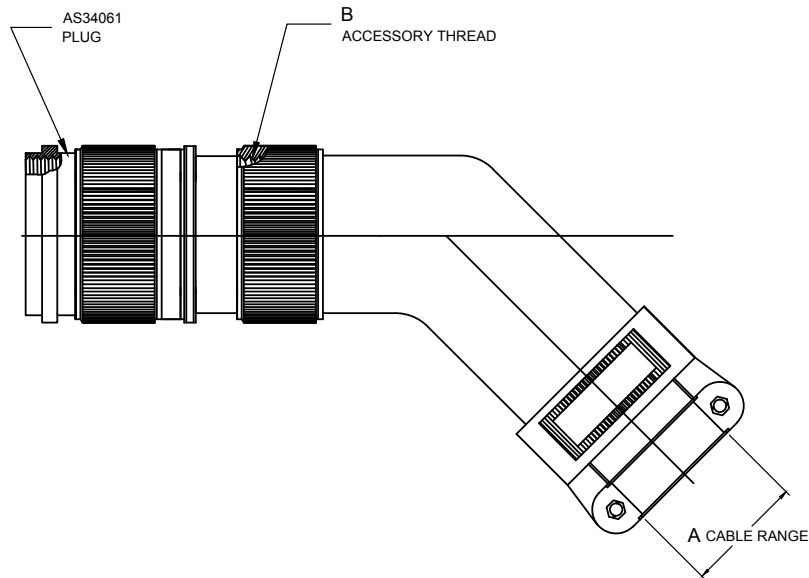
REV

-

<http://www.corsairelectricalconnectors.com> (949) 833-0273

# AS34091DJ

## MIL-DTL-5015 SERIES II



Assembly No.	Backshell Assembly No.	Superseding Assembly N°	A Cable Entry		B Thread Class 2B
			MAX	MIN	
MS3409DJ 10 A- XX	AS85049/7- 04W	MS3189B-04A	0.312	0.125	.625-24UNEF
MS3409DJ 10 B- XX	AS85049/7- 49W	MS3189B-49A	0.437	0.250	.625-24UNEF
MS3409DJ 10 D- XX	AS85049/7- 05W	MS3189B-05A	0.375	0.250	.625-24UNEF
MS3409DJ 11 A- XX	AS85049/7- 04W	MS3189B-04A	0.312	0.125	.625-24UNEF
MS3409DJ 11 B- XX	AS85049/7- 49W	MS3189B-49A	0.437	0.250	.625-24UNEF
MS3409DJ 11 D- XX	AS85049/7- 05W	MS3189B-05A	0.375	0.250	.625-24UNEF
MS3409DJ 12 A- XX	AS85049/7- 06W	MS3189B-06A	0.312	0.125	.750-20UNEF
MS3409DJ 12 B- XX	AS85049/7- 71W	MS3189B-71A	0.625	0.350	.750-20UNEF
MS3409DJ 12 D- XX	AS85049/7- 08W	MS3189B-08A	0.500	0.350	.750-20UNEF
MS3409DJ 12 E- XX	AS85049/7- 07W	MS3189B-07A	0.437	0.250	.750-20UNEF
MS3409DJ 13 A- XX	AS85049/7- 06W	MS3189B-06A	0.312	0.125	.750-20UNEF
MS3409DJ 13 B- XX	AS85049/7- 71W	MS3189B-71A	0.625	0.350	.750-20UNEF
MS3409DJ 13 D- XX	AS85049/7- 08W	MS3189B-08A	0.500	0.350	.750-20UNEF
MS3409DJ 13 E- XX	AS85049/7- 07W	MS3189B-07A	0.437	0.250	.750-20UNEF
MS3409DJ 14 A- XX	AS85049/7- 09W	MS3189B-09A	0.437	0.250	.875-20UNEF
MS3409DJ 14 B- XX	AS85049/7- 50W	MS3189B-50A	0.750	0.500	.875-20UNEF
MS3409DJ 14 D- XX	AS85049/7- 10W	MS3189B-10A	0.575	0.350	.875-20UNEF
MS3409DJ 14 E- XX	AS85049/7- 74W	MS3189B-74A	0.312	0.125	.875-20UNEF
MS3409DJ 15 A- XX	AS85049/7- 09W	MS3189B-09A	0.437	0.250	.875-20UNEF
MS3409DJ 15 B- XX	AS85049/7- 50W	MS3189B-50A	0.750	0.500	.875-20UNEF
MS3409DJ 15 D- XX	AS85049/7- 10W	MS3189B-10A	0.575	0.350	.875-20UNEF
MS3409DJ 15 E- XX	AS85049/7- 74W	MS3189B-74A	0.312	0.125	.875-20UNEF

TOLERANCE  
 XX ± .010  
 .XXX ± .005  
 ANGLES ± 1°

TITLE  
 CONNECTOR, ELECTRICAL, PLUG.  
 W/45 DEG BACKSHELL AND CLAMP  
 CRIMP CONTACTS, MIL-DTL-5015 SERIES II

SHEET  
 1 OF 3

DWG. NO.  
 AS34091DJ

REV  
 -

<http://www.corsairelectricalconnectors.com> (949) 833-0273



# AS34091DJ

## MIL-DTL-5015 SERIES II



Assembly No.	Backshell Assembly No.	Superseding Assembly N°	A Cable Entry		B Thread Class 2B
			MAX	MIN	
MS3409DJ 16 A- XX	AS85049/7- 12W	MS3189B-12A	0.700	0.500	1.000-20UNEF
MS3409DJ 16 B- XX	AS85049/7- 51W	MS3189B-51A	0.937	0.625	1.000-20UNEF
MS3409DJ 16 D- XX	AS85049/7- 11W	MS3189B-11A	0.437	0.250	1.000-20UNEF
MS3409DJ 16 E- XX	AS85049/7- 40W	MS3189B-40A	0.625	0.350	1.000-20UNEF
MS3409DJ 17 A- XX	AS85049/7- 12W	MS3189B-12A	0.700	0.500	1.000-20UNEF
MS3409DJ 17 B- XX	AS85049/7- 51W	MS3189B-51A	0.937	0.625	1.000-20UNEF
MS3409DJ 17 D- XX	AS85049/7- 11W	MS3189B-11A	0.437	0.250	1.000-20UNEF
MS3409DJ 17 E- XX	AS85049/7- 40W	MS3189B-40A	0.625	0.350	1.000-20UNEF
MS3409DJ 18 A- XX	AS85049/7- 13W	MS3189B-13A	0.625	0.350	1.125-18UNEF
MS3409DJ 18 B- XX	AS85049/7- 52W	MS3189B-52A	0.750	0.500	1.125-18UNEF
MS3409DJ 18 E- XX	AS85049/7- 41W	MS3189B-41A	0.312	0.125	1.125-18UNEF
MS3409DJ 18 F- XX	AS85049/7- 42W	MS3189B-42A	0.437	0.250	1.125-18UNEF
MS3409DJ 20 A- XX	AS85049/7- 15W	MS3189B-15A	0.625	0.350	1.125-18UNEF
MS3409DJ 20 B- XX	AS85049/7- 54W	MS3189B-54A	0.750	0.500	1.125-18UNEF
MS3409DJ 20 E- XX	AS85049/7- 55W	MS3189B-55A	1.250	0.875	1.125-18UNEF
MS3409DJ 20 F- XX	AS85049/7- 43W	MS3189B-43A	0.437	0.250	1.125-18UNEF
MS3409DJ 20 G- XX	AS85049/7- 16W	MS3189B-16A	0.904	0.625	1.125-18UNEF
MS3409DJ 22 A- XX	AS85049/7- 56W	MS3189B-56A	0.625	0.350	1.375-18UNEF
MS3409DJ 22 B- XX	AS85049/7- 17W	MS3189B-17A	0.750	0.500	1.375-18UNEF
MS3409DJ 22 D- XX	AS85049/7- 57W	MS3189B-57A	0.937	0.625	1.375-18UNEF
MS3409DJ 22 E- XX	AS85049/7- 58W	MS3189B-58A	1.250	0.875	1.375-18UNEF
MS3409DJ 22 F- XX	AS85049/7- 44W	MS3189B-44A	0.312	0.125	1.375-18UNEF
MS3409DJ 22 G- XX	AS85049/7- 45W	MS3189B-45A	0.437	0.250	1.375-18UNEF
MS3409DJ 22 H- XX	AS85049/7- 18W	MS3189B-18A	1.029	0.875	1.375-18UNEF
MS3409DJ 24 A- XX	AS85049/7- 19W	MS3189B-19A	0.750	0.500	1.500-18UNEF
MS3409DJ 24 D- XX	AS85049/7- 59W	MS3189B-59A	0.937	0.625	1.500-18UNEF
MS3409DJ 24 E- XX	AS85049/7- 73W	MS3189B-73A	1.250	0.875	1.500-18UNEF
MS3409DJ 24 F- XX	AS85049/7- 46W	MS3189B-46A	0.625	0.350	1.500-18UNEF
MS3409DJ 24G- XX	AS85049/7- 20W	MS3189B-20A	1.144	0.875	1.500-18UNEF
MS3409DJ 28 A- XX	AS85049/7- 60W	MS3189B-60A	0.750	0.500	1.750-18UNS
MS3409DJ 28 B- XX	AS85049/7- 21W	MS3189B-21A	0.937	0.625	1.750-18UNS
MS3409DJ 28 D- XX	AS85049/7- 61W	MS3189B-61A	1.250	0.875	1.750-18UNS
MS3409DJ 28 E- XX	AS85049/7- 22W	MS3189B-22A	1.375	1.000	1.750-18UNS
MS3409DJ 32 A- XX	AS85049/7- 23W	MS3189B-23A	0.937	0.625	2.000-18UNS
MS3409DJ 32 B- XX	AS85049/7- 24W	MS3189B-24A	1.125	0.875	2.000-18UNS
MS3409DJ 32 D- XX	AS85049/7- 62W	MS3189B-62A	1.375	1.000	2.000-18UNS
MS3409DJ 32 E- XX	AS85049/7- 25W	MS3189B-25A	1.625	1.250	2.000-18UNS

TOLERANCE  
 XX ± .010  
 .XXX ± .005  
 ANGLES ± 1°

TITLE  
 CONNECTOR, ELECTRICAL, PLUG.  
 W/45 DEG BACKSHELL AND CLAMP  
 CRIMP CONTACTS, MIL-DTL-5015 SERIES II

SHEET  
 2 OF 3

DWG. NO.  
 AS34091DJ

REV  
 -

<http://www.corsairelectricalconnectors.com> (949) 833-0273

# AS34091DJ

## MIL-DTL-5015 SERIES II



Assembly No.	Backshell Assembly No.	Superseding Assembly N°	A Cable Entry		B Thread Class 2B
			MAX	MIN	
MS3409DJ 32 A- XX	AS85049/7- 23W	MS3189B-23A	0.937	0.625	2.000-18UNS
MS3409DJ 32 B- XX	AS85049/7- 24W	MS3189B-24A	1.125	0.875	2.000-18UNS
MS3409DJ 32 D- XX	AS85049/7- 62W	MS3189B-62A	1.375	1.000	2.000-18UNS
MS3409DJ 32 E- XX	AS85049/7- 25W	MS3189B-25A	1.625	1.250	2.000-18UNS
MS3409DJ 36 A- XX	AS85049/7- 63W	MS3189B-63A	1.125	0.875	2.250-16UN
MS3409DJ 36 B- XX	AS85049/7- 27W	MS3189B-27A	1.375	1.000	2.250-16UN
MS3409DJ 36 D- XX	AS85049/7- 64W	MS3189B-64A	1.625	1.250	2.250-16UN
MS3409DJ 36 E- XX	AS85049/7- 28W	MS3189B-28A	1.840	1.437	2.250-16UN
MS3409DJ 36 F- XX	AS85049/7- 47W	MS3189B-47A	0.750	0.500	2.250-16UN
MS3409DJ 36 G- XX	AS85049/7- 26W	MS3189B-26A	0.937	0.625	2.250-16UN
MS3409DJ 40 A- XX	AS85049/7- 65W	MS3189B-65A	1.250	0.875	2.250-16UN
MS3409DJ 40 B- XX	AS85049/7- 30W	MS3189B-30A	1.375	1.000	2.250-16UN
MS3409DJ 40 D- XX	AS85049/7- 66W	MS3189B-66A	1.625	1.250	2.250-16UN
MS3409DJ 40 E- XX	AS85049/7- 31W	MS3189B-31A	1.840	1.437	2.250-16UN
MS3409DJ 40 F- XX	AS85049/7- 48W	MS3189B-48A	0.750	0.500	2.250-16UN
MS3409DJ 44 A- XX	AS85049/7- 67W	MS3189B-67A	1.250	0.875	2.750-16UN
MS3409DJ 44 B- XX	AS85049/7- 33W	MS3189B-33A	1.375	1.000	2.750-16UN
MS3409DJ 44 D- XX	AS85049/7- 68W	MS3189B-68A	1.625	1.250	2.750-16UN
MS3409DJ 44 E- XX	AS85049/7- 34W	MS3189B-34A	1.840	1.437	2.750-16UN
MS3409DJ 44 F- XX	AS85049/7- 32W	MS3189B-32A	0.937	0.625	2.750-16UN

TOLERANCE  
 XX ± .010  
 .XXX ± .005  
 ANGLES ± 1°

TITLE  
 CONNECTOR, ELECTRICAL, PLUG.  
 W/45 DEG BACKSHELL AND CLAMP  
 CRIMP CONTACTS, MIL-DTL-5015 SERIES II

SHEET  
 3 OF 3

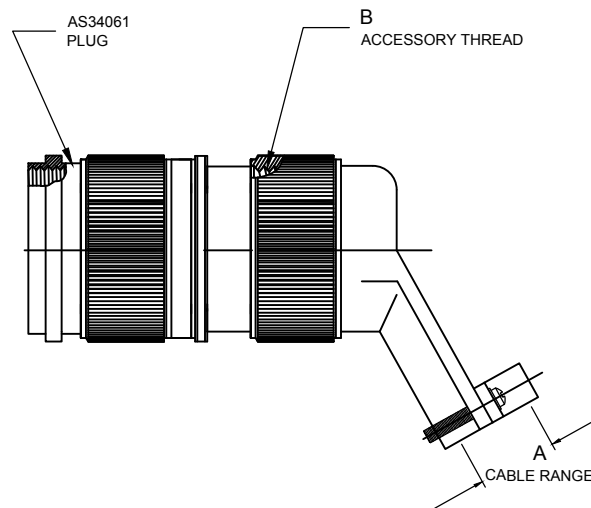
DWG. NO.  
 AS34091DJ

REV  
 -

<http://www.corsairelectricalconnectors.com> (949) 833-0273

# AS34091D

## MIL-DTL-5015 SERIES II



Assembly No.	Backshell Assembly No.	Superseding Assembly N°	A Cable Entry		B Thread Class 2B
			MAX	MIN	
MS3409D 10S - XX	AS85049/43- 110 X	MS3415-10 X	0.286	0.187	.625-24UNEF
MS3409D 10SL - XX	AS85049/43- 110 X	MS3415-10 X	0.286	0.187	.625-24UNEF
MS3409D 12S - XX	AS85049/43- 112 X	MS3415-12 X	0.416	0.291	.750-20UNEF
MS3409D 12 - XX	AS85049/43- 112 X	MS3415-12 X	0.416	0.291	.750-20UNEF
MS3409D 14S - XX	AS85049/43- 114 X	MS3415-14 X	0.476	0.351	.875-20UNEF
MS3409D 14 - XX	AS85049/43- 114 X	MS3415-14 X	0.476	0.351	.875-20UNEF
MS3409D 16S - XX	AS85049/43- 116 X	MS3415-16 X	0.626	0.501	1.000-20UNEF
MS3409D 16 - XX	AS85049/43- 116 X	MS3415-16 X	0.626	0.501	1.000-20UNEF
MS3409D 18 - XX	AS85049/43- 118 X	MS3415-18 X	0.706	0.518	1.125-18UNEF
MS3409D 20 - XX	AS85049/43- 120 X	MS3415-20 X	0.831	0.581	1.125-18UNEF
MS3409D 22 - XX	AS85049/43- 122 X	MS3415-22 X	0.956	0.644	1.375-18UNEF
MS3409D 24 - XX	AS85049/43- 124 X	MS3415-24 X	1.081	0.706	1.500-18UNEF
MS3409D 28 - XX	AS85049/43- 128 X	MS3415-28 X	1.187	0.750	1.750-18UNS
MS3409D 32 - XX	AS85049/43- 132 X	MS3415-32 X	1.250	0.875	2.000-18UNS
MS3409D 36 - XX	AS85049/43- 136 X	MS3415-36 X	1.375	0.938	2.250-16UN
MS3409D 40 - XX	AS85049/43- 140 X	MS3415-40 X	1.500	0.938	2.250-16UN

TOLERANCE  
 XX ± .010  
 .XXX ± .005  
 ANGLES ± 1°

TITLE  
 CONNECTOR, ELECTRICAL, PLUG.  
 W/45 DEG BACKSHELL CLAMP  
 CRIMP CONTACTS, MIL-DTL-5015 SERIES II

SHEET  
 1 OF 1

DWG. NO.  
 AS34091D

REV  
 -

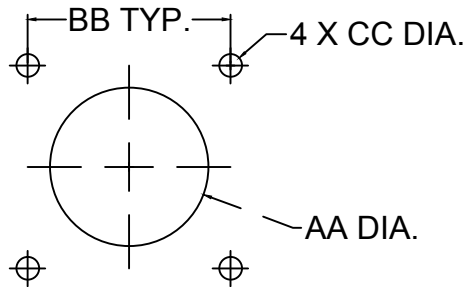
<http://www.corsairelectricalconnectors.com> (949) 833-0273

# MIL-DTL-5015

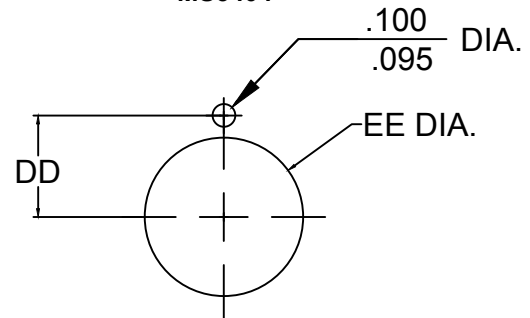
SERIES II



MS3400, MS3402, & MS3412



MS3404



SHELL SIZE	PANEL THICKNESS		MOUNTING DIMENSIONS					
	MS3404	MS3400 MS3402 MS3412 MAX.	AA DIA. ± 0.02	BB ± 0.005	CC DIA. .010 .005		DD ± 0.005	EE DIA. + 0.005 - .010
					CLASS D, DS, L, U, & W	CLASS KS, KT		
8S	.140/.090	0.187	0.529	0.594	0.120	0.150	0.323	0.515
10S	.140/.090	0.187	0.655	0.719	0.120	0.150	0.385	0.640
10SL	.140/.090	0.187	0.655	0.719	0.120	0.150	0.385	0.640
12S	.140/.090	0.187	0.780	0.812	0.120	0.150	0.448	0.765
12	.140/.091	0.125	0.780	0.812	0.120	0.150	0.448	0.765
14S	.140/.090	0.187	0.905	0.906	0.120	0.150	0.510	0.890
14	.140/.090	0.125	0.905	0.906	0.120	0.150	0.510	0.890
16S	.140/.090	0.187	1.030	0.969	0.120	0.150	0.573	1.015
16	.140/.090	0.125	1.030	0.969	0.120	0.150	0.573	1.015
18	.140/.090	0.125	1.155	1.062	0.120	0.177	0.635	1.140
20	.140/.090	0.125	1.280	1.156	0.120	0.177	0.698	1.265
22	.140/.090	0.125	1.405	1.250	0.120	0.177	0.760	1.390
24	.140/.090	0.187	1.530	1.375	0.147	0.177	0.823	1.515
28	.140/.090	0.187	1.780	1.562	0.147	0.177	0.948	1.765
32	.140/.090	0.250	2.030	1.750	0.173	0.209	1.073	2.015
36	.140/.110	0.250	2.280	1.938	0.173	0.209	1.198	2.265
40	.140/.110	0.250	2.530	2.188	0.173	0.209	1.323	2.515

TOLERANCE  
 XX ± .010  
 .XXX ± .005  
 ANGLES ± 1°

TITLE  
 RECOMMENDED PANEL DIMENSIONS.  
 MIL-DTL-5015 SERIES II & III

SHEET  
 1 OF 1

DWG. NO.  
 M5015

REV  
 -

<http://www.corsairelectricalconnectors.com> (949) 833-0273



# MIL-DTL-5015

## SERIES III



### MIL-DTL-5015 SERIES III MILITARY AND CORSAIR PART NUMBER CROSS REFERENCE

<b>Military Prefix</b>	MS34	50	W	28	3	P	W
<b>Corsair Prefix</b>	CJ10	50	W	28	3	P	W
<b>Shell Configuration</b>	<ul style="list-style-type: none"> <li>50 Receptacle, wall mount</li> <li>51 Receptacle, cable connecting</li> <li>52 Receptacle, box mount</li> <li>54 Receptacle, jam nut</li> <li>56 Plug, straight</li> <li>59 Plug, self-locking</li> </ul>						
<b>Class (materials/finish)</b>	<ul style="list-style-type: none"> <li>KS Stainless steel, passivated, firewall</li> <li>KT Carbon steel, cadmium, firewall</li> <li>LS Stainless steel, passivated, fluid resistant insert</li> <li>L Aluminum, electroless nickel</li> <li>W Aluminum, olive drab over electroless nickel base, (500 HR corrosion resistant)</li> </ul>						
<b>Shell Size</b>	8S, 10S, 10SL, 12, 12S, 14, 14S, 16, 16S, 18, 20, 22, 24, 28, 32, 36, or 40.						
<b>Insert Arrangement</b>	Refer to layout patterns per MIL-STD-1651						
<b>Contact Type</b>	<ul style="list-style-type: none"> <li>P Pin</li> <li>S Socket</li> <li>A Connector less pins</li> <li>B Connector less sockets</li> </ul>						
<b>Polarization</b>	<ul style="list-style-type: none"> <li>N Normal (not included in part number)</li> <li>W, X, Y, or Z Alternate positions, See polarization chart</li> </ul>						

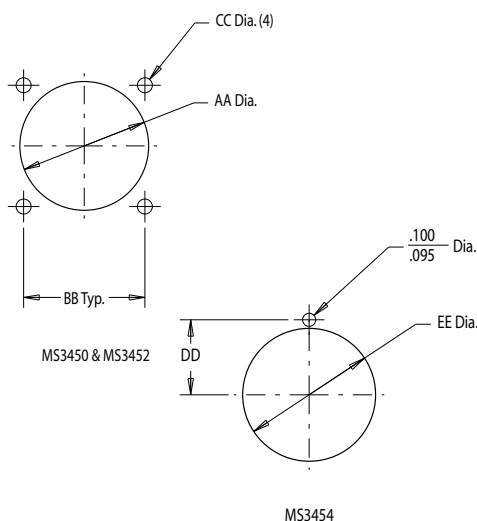
### GENERAL SPECIFICATIONS

Rear release contact retention system.  
 14 shell sizes (8 to 40) in over 150 insert arrangements utilizing contact sizes 16, 16S, 12, 8, 4 and 0 gage crimp contacts per MIL-C-39029.  
 Threaded coupling mechanism.  
 Polarization by insert rotation, per MIL-STD-1669.  
**Operating temperature range:**  
 Class K: -55 C (-67 F) to 175 C (347 F)  
 Class L: -55 C (-67 F) to 200 C (392 F)  
 Class W: -55 C (-67 F) to 175 C (347 F)

Environmental Fluorosilicone Elastomers

**Refer to page 27 for additional contact and tooling information.**

### MIL-C-5015 III RECEPTACLE MOUNTING DIMENSIONS MS3450, MS3452, AND MS3454



Shell Size	Panel Thickness		Mounting Dimensions					
	MS3454	MS3450 MS3452 Max.	AA Dia. ± 0.015	BB ± 0.005	CC Dia. .010 .005		DD ± 0.005	EE Dia. + 0.005 - 0.010
					Class D,L, & W	Class K		
8S	.140/.090	0.187	0.562	0.594	0.120	0.150	0.323	0.515
10S	.140/.090	0.187	0.688	0.719	0.120	0.150	0.385	0.640
10SL	.140/.090	0.187	0.688	0.719	0.120	0.150	0.385	0.640
12S	.140/.090	0.187	0.812	0.812	0.120	0.150	0.448	0.765
12	.140/.090	0.125	0.812	0.812	0.120	0.150	0.448	0.765
14S	.140/.090	0.187	0.938	0.906	0.120	0.150	0.510	0.890
14	.140/.090	0.125	0.938	0.906	0.120	0.150	0.510	0.890
16S	.140/.090	0.187	1.062	0.969	0.120	0.150	0.573	1.015
16	.140/.090	0.125	1.062	0.969	0.120	0.150	0.573	1.015
18	.140/.090	0.125	1.188	1.062	0.120	0.177	0.635	1.140
20	.140/.090	0.125	1.312	1.156	0.120	0.177	0.698	1.265
22	.140/.090	0.125	1.438	1.250	0.120	0.177	0.760	1.390
24	.140/.090	0.187	1.562	1.375	0.147	0.177	0.823	1.515
28	.140/.090	0.187	1.812	1.562	0.147	0.177	0.948	1.765
32	.140/.090	0.250	2.062	1.750	0.173	0.209	1.073	2.015
36	.140/.110	0.250	2.312	1.938	0.173	0.209	1.198	2.265
40	.140/.110	0.250	2.562	2.188	0.173	0.209	1.323	2.515

TOLERANCE  
 XX ± .010  
 .XXX ± .005  
 ANGLES ± 1°

TITLE  
 MIL-DTL-5015, SERIES III, CORSAIR PART NUMBER CROSS REFERENCE, MOUNTING DIMENSIONS

SHEET  
 1 OF 1

DWG. NO.  
 M5015

REV  
 -

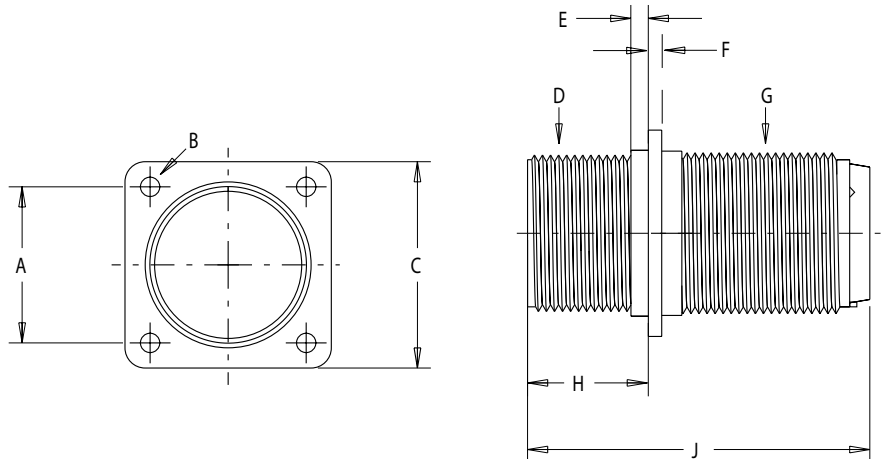
<http://www.corsairelectricalconnectors.com> (949) 833-0273

# MS3450

## MIL-DTL-5015 SERIES III



### MS3450 RECEPTACLE, WALL MOUNT



Shell Size	A T.P. ± .005	B + .010 - .005 Class		C ± .031	E Max.		F ± .015	G Accessory Thread Class 2A	H + .031 - .000	J Max. Contact Size		D Coupling Thread Class 2A
		L,LS,W	KT,KS		Front Mount	Rear Mount				16 & 12	8,4 & 0	
8S	0.594	0.120	0.150	0.875	0.171	0.331	0.083	1/2-20 UNEF	0.562	2.031	---	1/2-28 UNEF
10S	0.719	0.120	0.150	1.000	0.171	0.331	0.083	5/8-24 UNEF	0.562	2.031	---	5/8-24 UNEF
10SL	0.719	0.120	0.150	1.000	0.171	0.331	0.083	5/8-24 UNEF	0.562	2.031	---	5/8-24 UNEF
12S	0.812	0.120	0.150	1.094	0.171	0.331	0.083	3/4-20 UNEF	0.562	2.031	---	3/4-20 UNEF
12	0.812	0.120	0.150	1.094	0.109	0.403	0.083	3/4-20 UNEF	0.750	2.125	---	3/4-20 UNEF
14S	0.906	0.120	0.150	1.188	0.171	0.331	0.083	7/8-20 UNEF	0.562	2.031	---	7/8-20 UNEF
14	0.906	0.120	0.150	1.188	0.109	0.403	0.083	7/8-20 UNEF	0.750	2.125	---	7/8-20 UNEF
16S	0.969	0.120	0.150	1.281	0.171	0.331	0.083	1-20 UNEF	0.562	2.031	---	1-20 UNEF
16	0.969	0.120	0.150	1.281	0.109	0.403	0.083	1-20 UNEF	0.750	2.125	2.500	1-20 UNEF
18	1.062	0.120	0.177	1.375	0.109	0.413	0.125	1 1/16-18 UNEF	0.750	2.125	2.500	1 1/8-18 UNEF
20	1.156	0.120	0.177	1.500	0.109	0.413	0.125	1 3/16-18 UNEF	0.750	2.125	2.500	1 1/4-18 UNEF
22	1.250	0.120	0.177	1.625	0.109	0.413	0.125	1 5/16-18 UNEF	0.750	2.125	2.500	1 3/8-18 UNEF
24	1.375	0.147	0.177	1.750	0.171	0.371	0.125	1 7/16-18 UNEF	0.812	2.125	2.500	1 1/2-18 UNEF
28	1.562	0.147	0.177	2.000	0.171	0.194	0.125	1 3/4-18 UNS	0.812	2.125	2.500	1 3/4-18 UNS
32	1.750	0.173	0.209	2.250	0.234	0.131	0.125	2-18 UNS	0.875	2.125	2.500	2-18 UNS
36	1.938	0.173	0.209	2.500	0.234	0.131	0.125	2 1/4-16 UN	0.875	2.125	2.500	2 1/4-16 UN
40	2.188	0.173	0.209	2.750	0.234	0.131	0.125	2 1/2-16 UN	0.875	2.125	2.500	2 1/2-16 UN
44	2.375	0.173	0.209	3.000	0.234	0.281	0.125	2 3/4-16 UN	0.875	2.125	2.500	2 3/4-16 UN
48	2.625	0.173	0.209	3.250	0.234	0.281	0.125	3-16 UN	0.875	2.125	2.500	3-16 UN

TOLERANCE  
XX ± .010  
.XXX ± .005  
ANGLES ± 1°

TITLE  
CONNECTOR, ELECTRICAL, WALL MTG.  
RECEPTACLE ,CRIMP CONTACTS, MIL-DTL-5015 SERIES III

SHEET  
1 OF 1

DWG. NO.  
MS3450

REV  
-

<http://www.corsairelectricalconnectors.com> (949) 833-0273

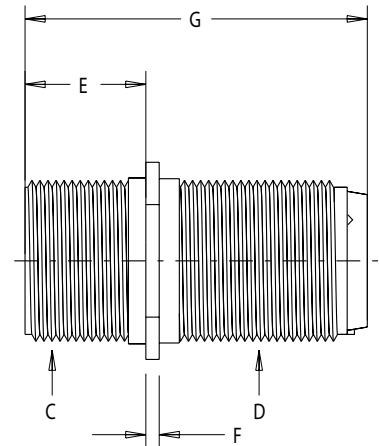
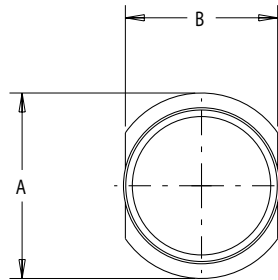


# MS3451

## MIL-DTL-5015 SERIES III



### MS3451 RECEPTACLE, CABLE CONNECTING



Shell Size	A ±.031	B		C Coupling Threads Class 2A	D Accessory Thread Class 2A	E ± .031 - .000	F ± .015	G Max. Contact Size	
		Max.	Min					16 & 12	8,4 & 0
8S	0.729	0.504	0.496	1/2-28 UNEF	1/2-20 UNEF	0.562	0.083	2.031	---
10S	0.854	0.629	0.621	5/8-24 UNEF	5/8-24 UNEF	0.562	0.083	2.031	---
10SL	0.854	0.629	0.621	5/8-24 UNEF	5/8-24 UNEF	0.562	0.083	2.031	---
12S	0.974	0.754	0.746	3/4-20 UNEF	3/4-20 UNEF	0.562	0.083	2.031	---
12	0.974	0.754	0.746	3/4-20 UNEF	3/4-20 UNEF	0.750	0.083	2.125	---
14S	1.099	0.879	0.871	7/8-20 UNEF	7/8-20 UNEF	0.562	0.083	2.031	---
14	1.099	0.879	0.871	7/8-20 UNEF	7/8-20 UNEF	0.750	0.083	2.125	---
16S	1.224	1.005	0.996	1-20 UNEF	1-20 UNEF	0.562	0.083	2.031	---
16	1.224	1.005	0.996	1-20 UNEF	1-20 UNEF	0.750	0.083	2.125	2.500
18	1.349	1.131	1.121	1 1/8-18 UNEF	1 1/16-18 UNEF	0.750	0.125	2.125	2.500
20	1.474	1.256	1.246	1 1/4-18 UNEF	1 3/16-18 UNEF	0.750	0.125	2.125	2.500
22	1.599	1.381	1.371	1 3/8-18 UNEF	1 5/16-18 UNEF	0.750	0.125	2.125	2.500
24	1.715	1.506	1.496	1 1/2-18 UNEF	1 7/16-18 UNEF	0.812	0.125	2.125	2.500
28	1.974	1.756	1.746	1 3/4-18 UNS	1 3/4-18 UNEF	0.812	0.125	2.125	2.500
32	2.224	2.007	1.996	2-18 UNS	2-18 UNS	0.875	0.125	2.125	2.500
36	2.474	2.257	2.246	2 1/4-16 UN	2 1/4-16 UN	0.875	0.125	2.125	2.500
40	2.724	2.511	2.496	2 1/2-16 UN	2 1/2-16 UN	0.875	0.125	2.125	2.500

TOLERANCE  
 XX ± .010  
 .XXX ± .005  
 ANGLES ± 1°

TITLE  
 CONNECTOR, ELECTRICAL, CABLE MTG.  
 RECEPTACLE ,CRIMP CONTACTS, MIL-DTL-5015 SERIES III

SHEET  
 1 OF 1

DWG. NO.  
 MS3451

REV  
 -

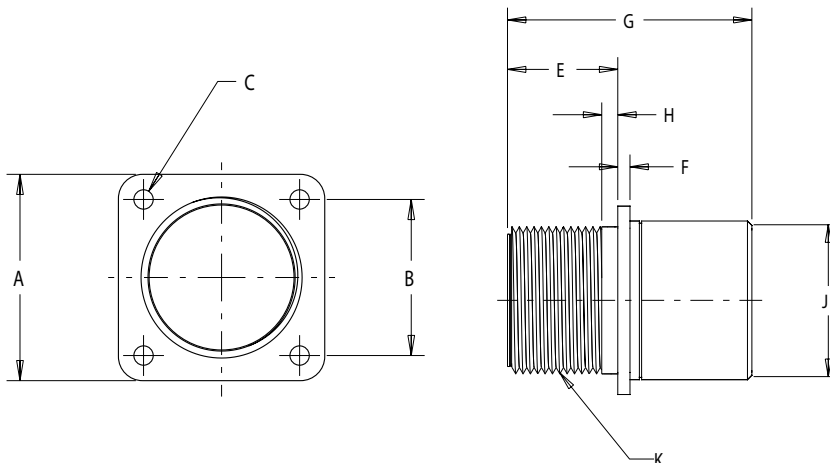
<http://www.corsairelectricalconnectors.com> (949) 833-0273

# MS3452

## MIL-DTL-5015 SERIES III



### MS3452 RECEPTACLE, BOX MOUNT



Shell Size	A ± .031	B T.P. ø-ø	C + .010 - .005	E + .031 - .000	F ± .015	G Max.		H Max.		J ± .016	K Coupling Thread Class 2B
						Contact Size 16 & 12	Contact Size 8,4 & 10	Front Mount	Rear Mount		
8S	0.875	0.594	0.120	0.562	0.083	1.662	---	0.171	0.331	0.500	1/2-28 UNEF
10S	1.000	0.719	0.120	0.562	0.083	1.662	---	0.171	0.331	0.625	5/8-24 UNEF
10SL	1.000	0.719	0.120	0.562	0.083	1.662	---	0.171	0.331	0.625	5/8-24 UNEF
12S	1.094	0.812	0.120	0.562	0.083	1.662	---	0.171	0.331	0.750	3/4-20 UNEF
12	1.094	0.812	0.120	0.750	0.083	1.662	---	0.109	0.403	0.750	3/4-20 UNEF
14S	1.188	0.906	0.120	0.562	0.083	1.662	---	0.171	0.331	0.875	7/8-20 UNEF
14	1.188	0.906	0.120	0.750	0.083	1.662	---	0.109	0.403	0.875	7/8-20 UNEF
16S	1.281	0.969	0.120	0.562	0.083	1.662	---	0.171	0.331	1.000	1-20 UNEF
16	1.281	0.969	0.120	0.750	0.083	1.662	1.937	0.109	0.403	1.000	1-20 UNEF
18	1.375	1.062	0.120	0.750	0.125	1.662	1.937	0.109	0.413	1.062	1 1/8-18 UNEF
20	1.500	1.156	0.120	0.750	0.125	1.662	1.937	0.109	0.413	1.187	1 1/4-18 UNEF
22	1.625	1.250	0.120	0.750	0.125	1.662	1.937	0.109	0.413	1.312	1 3/8-18 UNEF
24	1.750	1.375	0.147	0.812	0.125	1.662	1.937	0.171	0.371	1.437	1 1/2-18 UNEF
28	2.000	1.562	0.147	0.812	0.125	1.662	1.937	0.171	0.194	1.750	1 3/4-18 UNS
32	2.250	1.750	0.173	0.875	0.125	1.662	1.937	0.234	0.131	2.000	2-18 UNS
36	2.500	1.938	0.173	0.875	0.125	1.662	1.937	0.234	0.131	2.250	2 1/4-16 UN
40	2.750	2.188	0.173	0.875	0.125	1.662	1.937	0.234	0.131	2.500	2 1/2-16 UN

TOLERANCE  
 XX ± .010  
 .XXX ± .005  
 ANGLES ± 1°

TITLE  
 CONNECTOR, ELECTRICAL, WALL MTG.  
 RECEPTACLE, CRIMP CONTACTS, MIL-DTL-5015 SERIES III

SHEET  
 1 OF 1

DWG. NO.  
 MS3452

REV

-

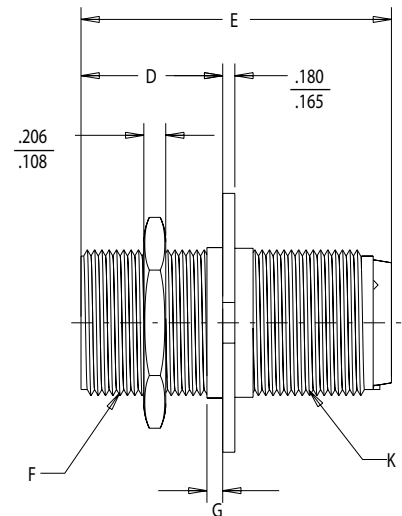
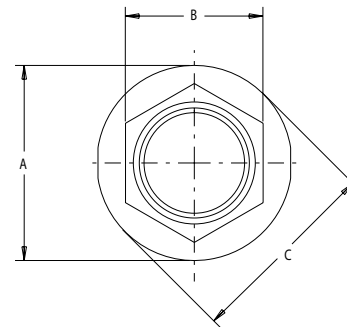
<http://www.corsairelectricalconnectors.com> (949) 833-0273

# MS3454

MIL-DTL-5015 SERIES III



## MS3454 RECEPTACLE, SINGLE HOLE MOUNT



Shell Size	A ± .005	B ± .017	C ± .005	D ± .005	E Max. Contact Size		F Coupling Thread Class 2A	G Max.	H Accessory Thread Class 2A
					16 & 12	8, 4 & 0			
8S	1.187	0.687	1.272	0.720	2.031	---	1/2-28 UNEF	0.128	1/2-20 UNEF
10S	1.312	0.812	1.397	0.720	2.031	---	5/8-24 UNEF	0.128	5/8-24 UNEF
10SL	1.312	0.812	1.397	0.720	2.031	---	5/8-24 UNEF	0.128	5/8-24 UNEF
12S	1.437	0.937	1.522	0.720	2.031	---	3/4-20 UNEF	0.128	3/4-20 UNEF
12	1.437	0.937	1.522	0.970	2.125	---	3/4-20 UNEF	0.128	3/4-20 UNEF
14S	1.562	1.062	1.647	0.720	2.031	---	7/8-20 UNEF	0.128	7/8-20 UNEF
14	1.562	1.062	1.647	0.970	2.125	---	7/8-20 UNEF	0.128	7/8-20 UNEF
16S	1.687	1.188	1.772	0.720	2.031	---	1-20 UNEF	0.128	1-20 UNEF
16	1.687	1.188	1.772	0.970	2.125	2.500	1-20 UNEF	0.128	1-20 UNEF
18	1.812	1.312	1.897	0.970	2.125	2.500	1 1/8-18 UNEF	0.128	1 1/16-18 UNEF
20	1.937	1.438	2.022	0.970	2.125	2.500	1 1/4-18 UNEF	0.128	1 3/16-18 UNEF
22	2.156	1.562	2.341	0.970	2.125	2.500	1 3/8-18 UNEF	0.128	1 5/16-18 UNEF
24	2.281	1.688	2.366	0.970	2.125	2.500	1 1/2-18 UNEF	0.128	1 7/16-18 UNEF
28	2.531	2.000	2.616	0.970	2.125	2.500	1 3/4-18 UNS	0.128	1 3/4-18 UNS
32	2.781	2.250	2.866	0.970	2.125	2.500	2-18 UNS	0.128	2-18 UNS
36	3.031	2.500	3.116	0.970	2.125	2.500	2 1/4-16 UN	0.128	2 1/4-16 UN
40	3.281	2.750	3.366	0.970	2.125	2.500	2 1/2-16 UN	0.128	2 1/2 UN

TOLERANCE  
XX ± .010  
.XXX ± .005  
ANGLES ± 1°

TITLE  
CONNECTOR, ELECTRICAL, SINGLE HOLE MTG.  
RECEPTACLE ,CRIMP CONTACTS, MIL-DTL-5015 SERIES III

SHEET  
1 OF 1

DWG. NO.  
MS3454

REV  
-

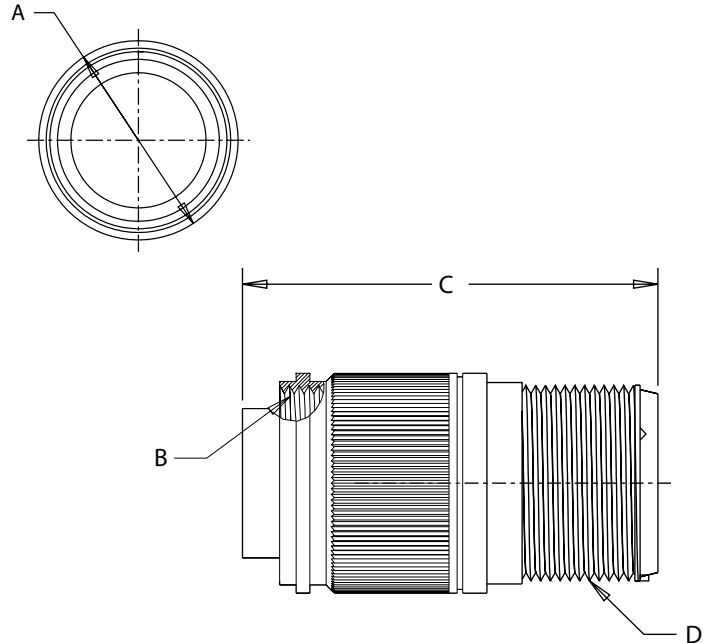
<http://www.corsairelectricalconnectors.com> (949) 833-0273

# MS3456

MIL-DTL-5015 SERIES III



## MS3456 PLUG, STANDARD



Shell Size	A Max.	B Coupling Thread Class 2B	C Max. Contact Size 16 & 12   8, 4 & 0	D Accessory Thread Class 2A
8S	0.844	1/2-28 UNEF	2.031	1/2-20 UNEF
10S	0.969	5/8-24 UNEF	2.031	5/8-24 UNEF
10SL	0.969	5/8-24 UNEF	2.031	5/8-24 UNEF
12S	1.062	3/4-20 UNEF	2.031	3/4-20 UNEF
12	1.062	3/4-20 UNEF	2.125	3/4-20 UNEF
14S	1.156	7/8-20 UNEF	2.031	7/8-20 UNEF
14	1.156	7/8-20 UNEF	2.125	7/8-20 UNEF
16S	1.250	1-20 UNEF	2.031	1-20 UNEF
16	1.250	1-20 UNEF	2.125	1-20 UNEF
18	1.344	1 1/8-18 UNEF	2.125	1 1/16-18 UNEF
20	1.469	1 1/4-18 UNEF	2.125	1 3/16-18 UNEF
22	1.594	1 3/8-18 UNEF	2.125	1 5/16-18 UNEF
24	1.719	1 1/2-18 UNEF	2.125	1 7/16-18 UNEF
28	1.969	1 3/4-18 UNS	2.125	1 3/4-18 UNS
32	2.219	2-18 UNS	2.125	2-18 UNS
36	2.469	2 1/4-16 UN	2.125	2 1/4-16 UN
40	2.719	2 1/2-16 UN	2.125	2 1/2-16 UN

TOLERANCE  
 XX ± .010  
 .XXX ± .005  
 ANGLES ± 1°

TITLE  
 CONNECTOR, ELECTRICAL, PLUG  
 STANDARD, CRIMP CONTACTS, MIL-DTL-5015 SERIES III

SHEET  
 1 OF 1

DWG. NO.  
 MS3456

REV  
 -

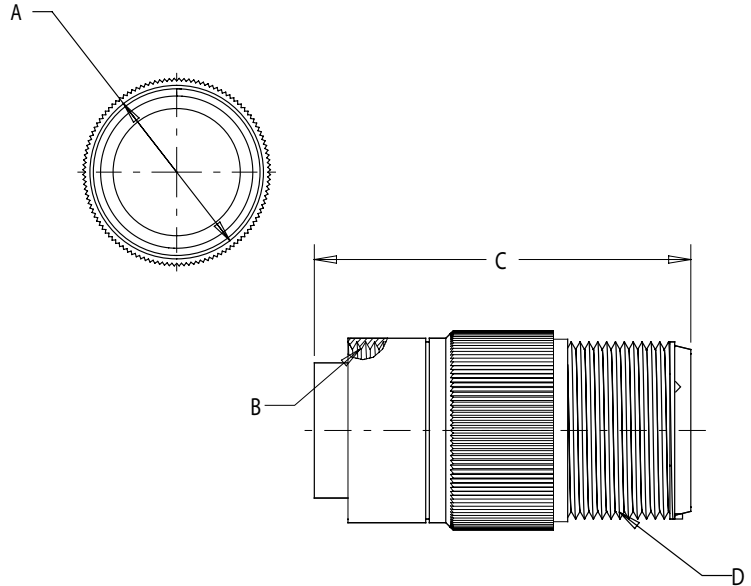
<http://www.corsairelectricalconnectors.com> (949) 833-0273

# MS3459

MIL-DTL-5015 SERIES III



## MS3459 PLUG, SELF LOCKING



Shell Size	A Max.	B Coupling Thread Class 2B	C Max. Contact Size		D Accessory Thread Class 2A
			16 & 12	8,4 & 0	
8S	0.963	1/2-28 UNEF	2.031	---	1/2-20 UNEF
10S	1.088	5/8-24 UNEF	2.031	---	5/8-24 UNEF
10SL	1.088	5/8-24 UNEF	2.031	---	5/8-24 UNEF
12S	1.213	3/4-20 UNEF	2.031	---	3/4-20 UNEF
12	1.213	3/4-20 UNEF	2.125	---	3/4-20 UNEF
14S	1.358	7/8-20 UNEF	2.031	---	7/8-20 UNEF
14	1.358	7/8-20 UNEF	2.125	---	7/8-20 UNEF
16S	1.463	1-20 UNEF	2.031	---	1-20 UNEF
16	1.463	1-20 UNEF	2.125	2.500	1-20 UNEF
18	1.588	1 1/8-18 UNEF	2.125	2.500	1 1/16-18 UNEF
20	1.713	1 1/4-18 UNEF	2.125	2.500	1 3/16-18 UNEF
22	1.788	1 3/8-18 UNEF	2.125	2.500	1 5/16-18 UNEF
24	1.963	1 1/2-18 UNEF	2.125	2.500	1 7/16-18 UNEF
28	2.213	1 3/4-18 UNS	2.125	2.500	1 3/4-18 UNS
32	2.463	2-18 UNS	2.125	2.500	2-18 UNS
36	2.713	2 1/4-16 UN	2.125	2.500	2 1/4-16 UN
40	2.963	2 1/2-16 UN	2.125	2.500	2 1/2-16 UN

TOLERANCE  
 XX ± .010  
 .XXX ± .005  
 ANGLES ± 1°

TITLE  
 CONNECTOR, ELECTRICAL, PLUG  
 SELF LOCKING, CRIMP CONTACTS,  
 MIL-DTL-5015 SERIES III

SHEET  
 1 OF 1

DWG. NO.  
 MS3459

REV  
 -

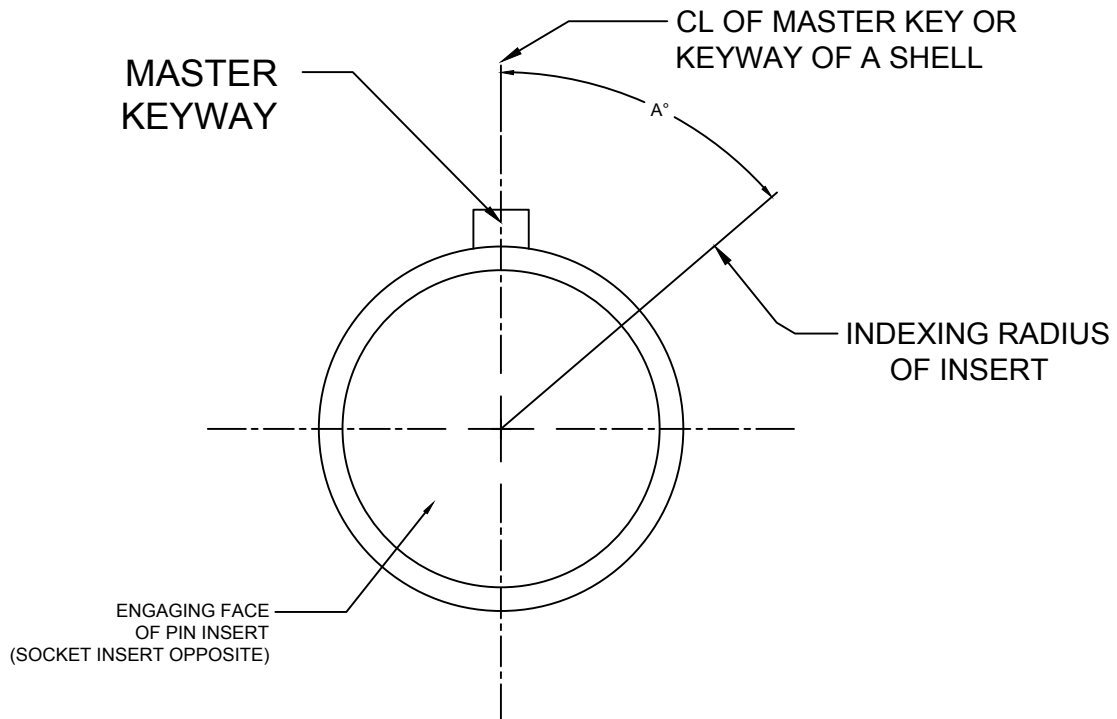
<http://www.corsairelectricalconnectors.com> (949) 833-0273

# MIL-DTL-5015

SERIES II & III



## ALTERNATIVE CLOCKING POSITIONS SERIES II & III, MIL-DTL-5015



**NORMAL POSITIONS** - THE CENTERLINE OF THE FACE VIEW OF THE INSERT PATTERN (SEE INSERT PATTERN LAYOUT CHART) IS ALIGNED WITH THE SHELL KEYWAY ON THE PLUG AND THE KEY ON THE RECEPTACLE. THEREFORE, ANGLE A ON THE OPPOSITE DRAWING WOULD BE ZERO DEGREES.

**ALTERNATE POSITIONS** - THE CENTERLINE OF THE FACE VIEW OF THE INSERT PATTERN (SEE INSERT PATTERN LAYOUT CHART) IS ROTATED IN RELATIONSHIP TO THE SHELL KEYWAY ON THE PLUG AND KEY ON THE RECEPTACLE. PIN INSERTS ARE ROTATED COUNTER CLOCKWISE. THEREFORE ANGLE A ON THE OPPOSITE DRAWING WOULD BE 70 DEGREES.

TOLERANCE XX ± .010 .XXX ± .005 ANGLES ± 1°	TITLE ALTERNATIVE CLOCKING POSITIONS MIL-DTL-5015 SERIES II & III	SHEET 1 OF 1	DWG. NO. M5015	REV -
		http://www.corsairelectricalconnectors.com (949) 833-0273		



# MIL-DTL-5015

SERIES II & III



Inserts 5015	Contacts		Service Rating	Alternate Insert Positions A Degrees			
	Quantity	Size		W	X	Y	Z
<b>Shell Size 8</b>							
8S-1	1	16	A	---	---	---	---
<b>Shell Size 10</b>							
10S-2	1	16	A	---	---	---	---
10SL-3	3	16	A	---	---	---	---
10SL-4	2	16	A	---	---	---	---
<b>Shell Size 12</b>							
12S-1	2	16	A	12S-3 Rotated 100 Degrees in Shell			
12S-2	2	16	A	12S-3 Rotated 250 Degrees in Shell			
12S-3	2	16	A	70	145	215	290
12S-4	1	16	D	---	---	---	---
12-5	1	12	D	---	---	---	---
<b>Shell Size 14</b>							
14S-1	3	16	A	---	---	---	---
14S-2	4	16	INST	---	120	240	---
14-3	1	8	A	---	---	---	---
14S-5	5	16	INST	---	110	---	---
14S-6	6	16	INST	---	---	---	---
14S-7	3	16	A	90	180	270	---
14S-9	2	16	A	70	145	215	290
14S-10	4	16	INST	14S-2 Rotated 100 Degrees in Shell			
14S-11	4	16	INST	14S-2 Rotated 250 Degrees in Shell			
<b>Shell Size 16</b>							
16S-1	7	16	A	80	---	---	280
16-2	7	12	E	---	---	---	---
16S-3	1	16	B	---	---	---	---
16S-4	2	16	D	35	110	250	325
16S-5	3	16	A	70	145	215	290
16S-6	3	16	A	90	180	270	---
16-7	2	16	A	80	110	250	280
	1	8					
16S-8	5	16	A	---	170	265	---
16-9	2	16	A	35	110	250	325
	2	12					
16-10	3	12	A	90	180	270	---
16-11	2	12	A	35	110	250	325
16-12	1	4	A	---	---	---	---
16-13	2	12	A	35	110	250	325

TOLERANCE  
 XX ± .010  
 .XXX ± .005  
 ANGLES ± 1°

TITLE  
 INSERT ARRANGEMENTS  
 MIL-DTL-5015 SERIES II & III

SHEET  
 1 OF 6

DWG. NO.  
 M5015

REV  
 -

<http://www.corsairelectricalconnectors.com> (949) 833-0273

# MIL-DTL-5015

SERIES II & III



Shell Size 18							
18-1	4	16	A (B,C,F,G)	70	145	215	290
	6		INST (Bal)				
18-3	2	12	D	35	110	250	325
18-4	4	16	D	35	110	250	325
18-5	1	16	D	80	110	250	280
	2	12					
18-6	1	4	D	---	---	---	---
18-7	1	8	B	---	---	---	---
18-8	7	16	A	70	---	---	290
	1	12					
18-9	5	16	INST	80	110	250	280
	2	12					
18-10	4	12	A	---	120	240	---
18-11	5	12	A	---	170	265	---
18-12	6	16	A	80	---	---	280
18-13	3	12	A	80	110	250	280
	1	8					
18-14	1	16	A	80	110	250	280
	1	4					
18-15	4	12	A	---	120	240	---
18-16	1	12	C	---	---	---	---
18-17	5	16	INST	18-9 Insert Rotated 100 Degrees in Shell			
	2	12					
18-18	5	16	INST	18-9 Insert Rotated 250 Degrees in Shell			
	2	12					
18-19	10	16	A	---	120	240	---
18-20	5	16	A	90	180	270	---
18-22	3	16	D	70	145	215	290
18-23	4	16	A (B,C,F,G)	18-1 Insert Rotated 100 Degrees in Shell			
	6		INST				
18-24	4	16	A (B,C,F,G)	18-1 Insert Rotated 250 Degrees in Shell			
	6		INST				
18-27	1	16	D	18-5 Insert Rotated 100 Degrees in Shell			
	2	12					
18-28	1	16	D	18-5 Insert Rotated 250 Degrees in Shell			
	2	12					

TOLERANCE  
 XX ± .010  
 .XXX ± .005  
 ANGLES ± 1°

TITLE  
 INSERT ARRANGEMENTS  
 MIL-DTL-5015 SERIES II & III

SHEET  
 2 OF 6

DWG. NO.  
 M5015

REV  
 -

<http://www.corsairelectricalconnectors.com> (949) 833-0273

# MIL-DTL-5015

SERIES II & III



Shell Size 20							
20-1	14	20	INST	---	---	---	---
20-2	1	0	D	---	---	---	---
20-3	3	12	D	70	145	215	290
20-4	4	12	D	45	110	250	---
20-6	3	16	D	70	145	215	290
20-7	4	16	D (A,B,G,H)	80	110	250	280
	4	16	A (C,D,E,F)				
20-8	4	16	INST	80	110	250	280
	2	8					
20-9	1	12	D (H)	80	110	250	280
	7	16	A (Bal)				
20-11	13	16	INST	---	---	---	---
20-14	3	12	A	80	110	250	280
	2	8					
20-15	7	12	A	80	---	---	280
20-16	7	16	A	80	110	250	280
	2	12					
20-17	1	16	A	90	180	270	---
	5	12					
20-18	6	16	A	35	110	250	325
	3	12					
20-19	3	8	A	90	180	270	---
20-21	8	16	A	35	110	250	325
	1	12					
20-22	3	16	A	80	110	250	280
	3	8					
20-23	2	8	A	35	110	250	325
20-24	2	16	A	35	110	250	325
	2	8					
20-25	13	16	INST	20-11 Insert Rotated 100 Degrees			
20-27	14	16	A	35	110	250	325
20-29	17	16	A	80	---	---	280
20-32	4	16	D (A,B,G,H)	20-7 Insert Rotated 260 Degrees in Shell			
	4	16	A (C,D,E,F)				
20-33	11	16	A	---	---	---	---

TOLERANCE  
 XX ± .010  
 .XXX ± .005  
 ANGLES ± 1°

TITLE  
 INSERT ARRANGEMENTS  
 MIL-DTL-5015 SERIES II & III

SHEET  
 3 OF 6

DWG. NO.  
 M5015

REV  
 -

<http://www.corsairelectricalconnectors.com> (949) 833-0273

# MIL-DTL-5015

SERIES II & III



Shell Size 22							
22-1	2	8	D	35	110	250	325
22-2	3	8	D	70	145	215	290
22-3	1	16	D	80	110	250	280
	1	4					
22-4	2	12	A	35	110	250	325
	2	8					
22-5	4	16	D	35	110	250	325
	2	12					
22-6	1	16	D	80	110	250	280
	2	8					
22-7	1	0	E	---	---	---	---
22-9	3	12	E	70	145	215	290
22-10	4	16	E	35	110	250	325
22-11	2	16	B	35	110	250	325
22-12	3	16	D	80	110	250	280
	2	8					
22-13	1	16	D (E)	35	110	250	325
	4	12	A (B,C,D)				
22-14	19	16	A	80	110	250	280
22-15	1	16	E (D)	80	110	250	280
	5	12	A (Bal)				
22-17	1	16	D (A)	80	110	250	280
	7	16	A (Bal)				
	1	12	A (E)				
22-18	3	16	A (C,D,E)	80	110	250	280
	5	16	D (Bal)				
22-19	14	16	A	80	110	250	280
22-20	9	16	A	35	110	250	325
22-21	2	16	A	80	110	250	280
	1	0					
22-22	4	8	A	---	110	250	---
22-23	1	12	D (H)	35	---	250	---
	7	12	A (Bal)				
22-27	1	8	D (J)	80	---	250	280
	8	16	A (Bal)				
22-28	7	12	A	80	---	---	280
22-30	19	16	A	22-14 Insert rotated 260 Degrees in Shell			
22-32	4	16	D	22-5 Insert rotated 260 Degrees in Shell			
	2	12					

TOLERANCE  
 XX ± .010  
 .XXX ± .005  
 ANGLES ± 1°

TITLE  
 INSERT ARRANGEMENTS  
 MIL-DTL-5015 SERIES II & III

SHEET  
 4 OF 6

DWG. NO.  
 M5015

REV  
 -

<http://www.corsairelectricalconnectors.com> (949) 833-0273

# MIL-DTL-5015

SERIES II & III



Shell Size 22 (Continued)							
22-33	3	16	A (E,F,G)	80	110	250	280
	4	16	D (A,B,C,D)				
22-36	1	12	D (H)	90	---	270	---
	7	12	A (Bal)				
Shell Size 24							
24-1	1	12	D	80	110	250	280
	1	0					
24-2	7	12	D	80	---	---	280
24-4	3	16	D	80	110	250	280
	1	0					
24-5	16	16	A	80	110	250	280
24-6	3	12	D (A,G,H)	80	110	250	280
	5	12	A (Bal)				
24-7	14	16	A	80	110	250	280
	2	12					
24-9	2	4	A	35	110	250	325
24-10	7	8	A	80	---	---	280
24-11	6	12	A	35	110	250	325
	3	8					
24-12	3	12	A	80	110	250	280
	2	4					
24-15	16	16	A	24-5 Insert rotated 100 Degrees in Shell			
24-16	3	16	D (A,B,F)	80	110	250	280
	3	12	A (Bal)				
	1	8	D (G)				
24-18	4	16	---	---	A-B & C-D Short without Pins??		
24-20	9	16	D	80	110	250	280
	2	12					
24-21	9	16	D	80	110	250	280
	1	8					
24-22	4	8	D	45	110	250	---
24-24	16	16	A	24-5 Insert rotated 250 Degrees in Shell			
24-27	7	16	E	80	---	---	280
24-28	24	16	INST	80	110	250	280
24-80	23	16	INST	35	145	240	300

TOLERANCE  
 XX ± .010  
 .XXX ± .005  
 ANGLES ± 1°

TITLE  
 INSERT ARRANGEMENTS  
 MIL-DTL-5015 SERIES II & III

SHEET  
 5 OF 6

DWG. NO.  
 M5015

REV  
 -

<http://www.corsairelectricalconnectors.com> (949) 833-0273

# MIL-DTL-5015

SERIES II & III



Shell Size 28							
28-1	2	12	D (A,E)	80	110	250	280
	4	12	A (B,D,F,H)				
	1	8	D (J)				
	2	8	A (G,C)				
28-2	12	16	D	35	110	250	325
	2	12					
28-3	3	8	E	70	145	215	290
28-4	4	16	E (G,P,S)	80	110	250	280
	4	16	D (A,B,E,F)				
	2	12	D (C,D)				
28-5	2	16	D	35	110	250	325
	1	12					
	2	4					
28-6	3	4	D	70	145	215	290
28-8	1	16	D (B)	80	110	250	280
	9	16	A (Bal)				
	2	12	E (L,M)				
28-9	6	16	D	80	110	250	280
	6	12					
28-10	1	12	D (G)	80	110	250	280
	2	12	A (A,F)				
	2	8	A (B,E)				
	2	4	A (C,D)				
28-11	18	16	A	80	110	250	280
	4	12					
28-12	26	16	A	90	180	270	---
28-15	35	16	A	80	110	250	280
28-16	20	16	A	80	110	250	280
28-17	1	16	B (R)	80	110	250	280
	3	16	D (M,N,P)				
	11	16	A (Bal)				
28-18	1	16	C (M)	70	145	215	290
	2	16	A (A,B)				
	4	16	INST (C,D,E,F)				
	5	16	D (Bal)				
28-19	2	16	B (H,M)	80	110	250	280
	2	16	D (A,B)				
	2	16	A (C,L)				
	4	12	A (E,G,J,K)				

TOLERANCE  
 XX ± .010  
 .XXX ± .005  
 ANGLES ± 1°

TITLE  
 INSERT ARRANGEMENTS  
 MIL-DTL-5015 SERIES II & III

SHEET  
 6 OF 6

DWG. NO.  
 M5015

REV  
 -

<http://www.corsairelectricalconnectors.com> (949) 833-0273



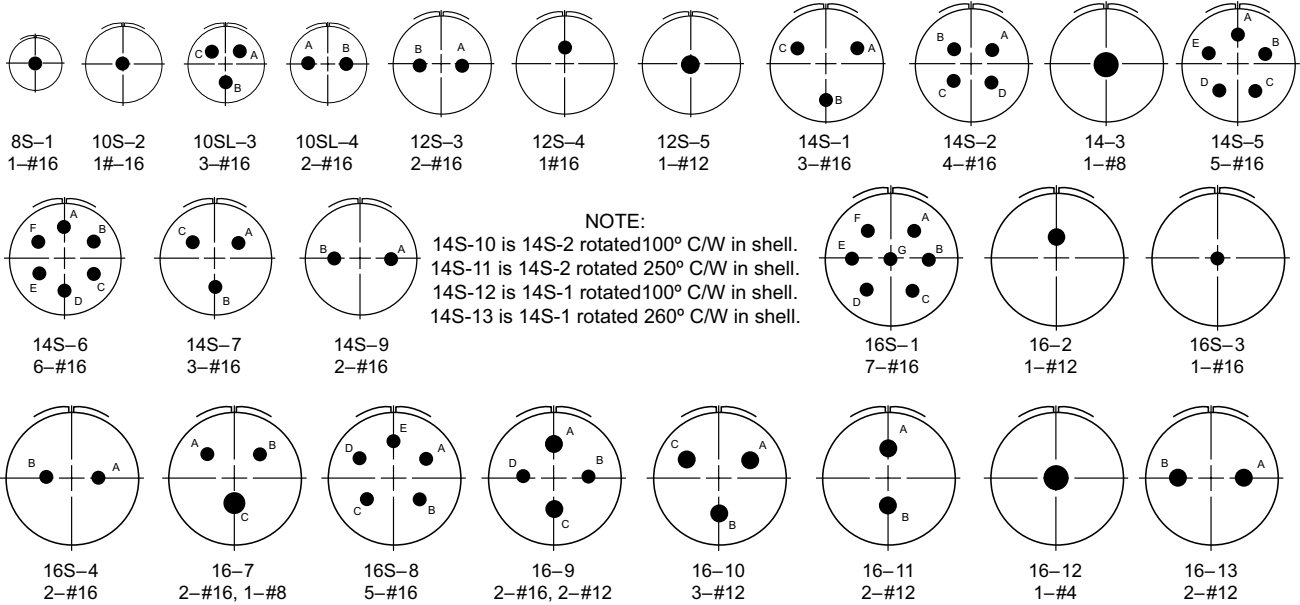
# MIL-DTL-5015

## SERIES II & III

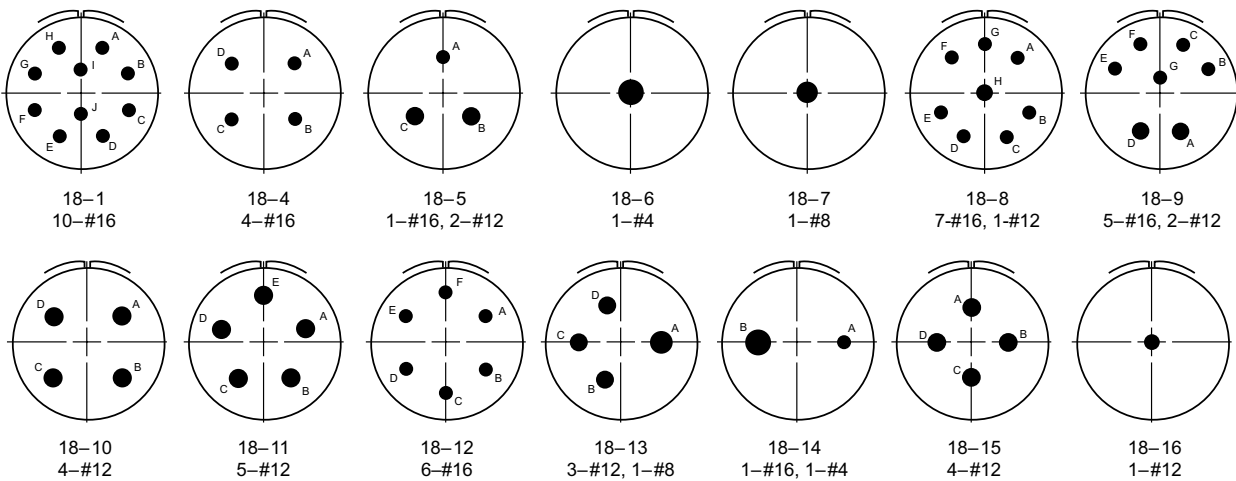


### MIL-DTL-5015 SERIES III INSERT PATTERNS PER MIL-STD-1651 CAVITY IDENTIFICATION SHOWN FOR FRONT FACE OF PIN AND REAR FACE OF SOCKET INSERTS

#### SHELL SIZES 8, 10, 12, 14 AND 16 INSERT PATTERNS

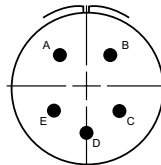


#### SHELL SIZES 18 INSERT PATTERNS



**NOTE:**

The following patterns are also available.  
18-17 is 18-9 rotated 100° C/W in shell.  
18-18 is 18-9 rotated 250° C/W in shell.  
These are in addition to the standard  
W, X, Y and Z polarizations available  
for insert pattern 18-9.



18-20  
5-#16

**NOTE:**

The following patterns are also available.  
18-23 is 18-1 rotated 100° C/W in shell.  
18-24 is 18-1 rotated 250° C/W in shell.  
18-27 is 18-5 rotated 100° C/W in shell.  
18-28 is 18-5 rotated 250° C/W in shell.  
These are in addition to the standard  
W, X, Y and Z polarizations available  
for insert pattern 18-1 and 18-5.

**TOLERANCE**

XX ± .010  
.XXX ± .005  
ANGLES ± 1°

**TITLE**

INSERT PATTERNS  
MIL-DTL-5015 SERIES II & III

**SHEET**

1 OF 7

**DWG. NO.**

M5015

**REV**

-

<http://www.corsairelectricalconnectors.com> (949) 833-0273

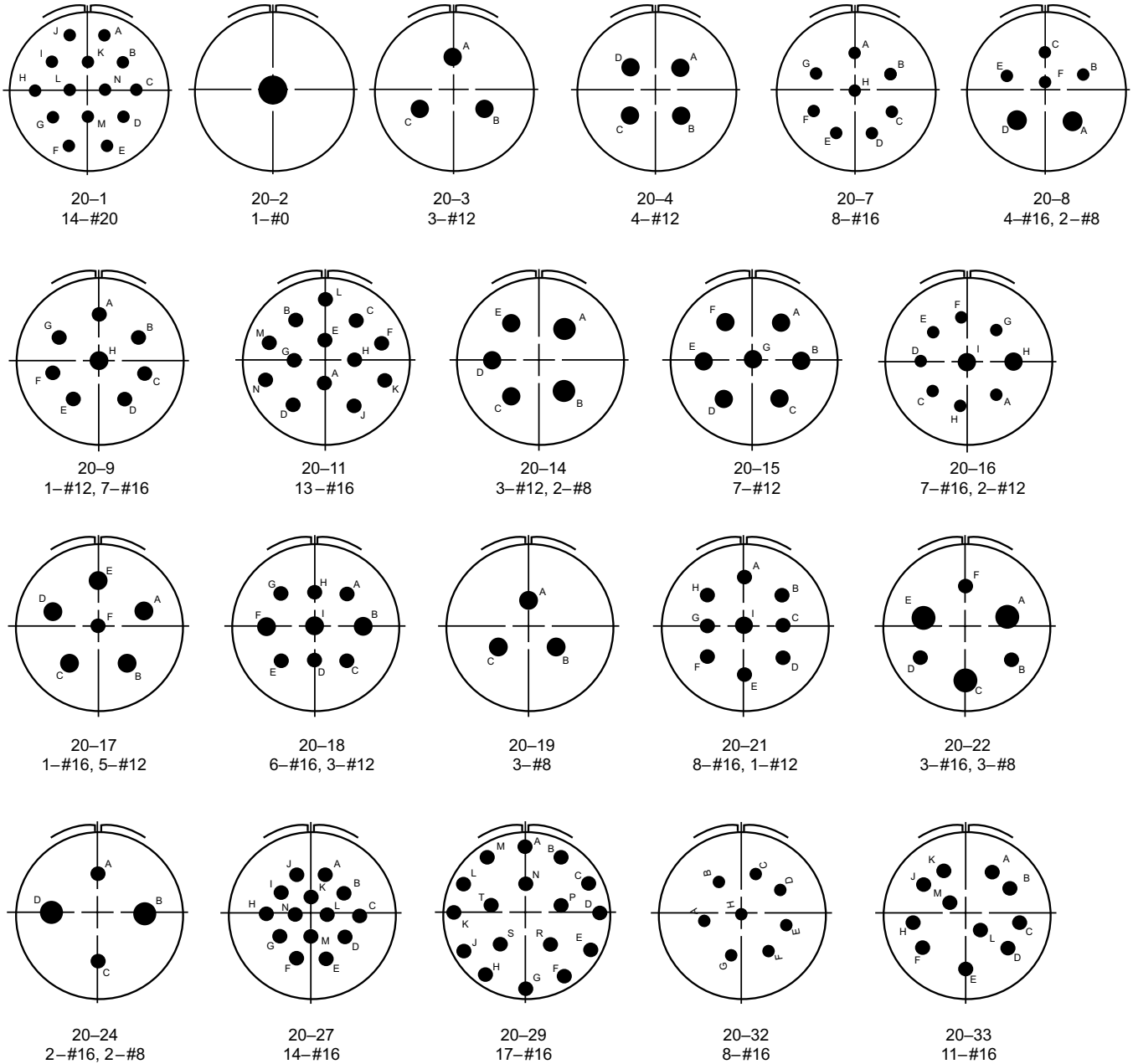
# MIL-DTL-5015

SERIES II & III



**MIL-DTL-5015 SERIES III INSERT PATTERNS PER MIL-STD-1651**  
**CAVITY IDENTIFICATION SHOWN FOR FRONT FACE**  
**OF PIN AND REAR FACE OF SOCKET INSERTS**

**SHELL SIZE 20 INSERT PATTERNS**



TOLERANCE  
 XX ± .010  
 .XXX ± .005  
 ANGLES ± 1°

TITLE  
 INSERT PATTERNS  
 MIL-DTL-5015 SERIES II & III

SHEET  
 2 OF 7

DWG. NO.  
 M5015

REV  
 -

<http://www.corsairelectricalconnectors.com> (949) 833-0273

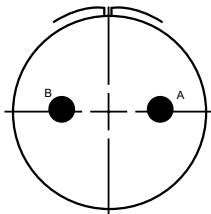
# MIL-DTL-5015

SERIES II & III

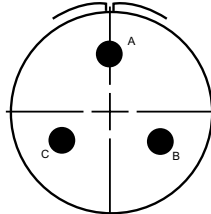


**MIL-DTL-5015 SERIES III INSERT PATTERNS PER MIL-STD-1651  
CAVITY IDENTIFICATION SHOWN FOR FRONT FACE  
OF PIN AND REAR FACE OF SOCKET INSERTS**

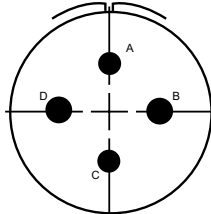
**SHELL SIZE 22 INSERT PATTERNS**



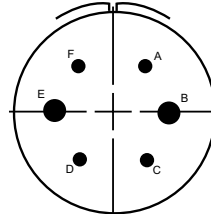
22-1  
2-#8



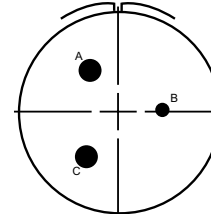
22-2  
3-#8



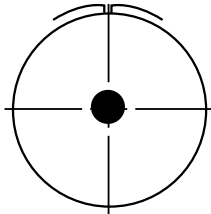
22-4  
2-#12, 2-#8



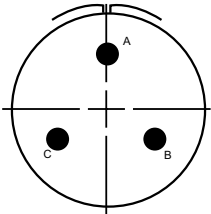
22-5  
4-#16, 2-#12



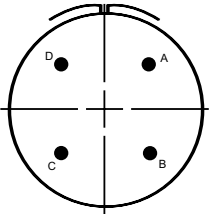
22-6  
1-#16, 2-#8



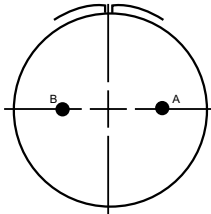
22-7  
1-#0



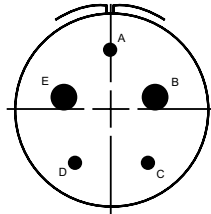
22-9  
3-#12



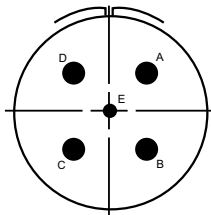
22-10  
4-#16



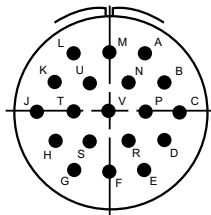
22-11  
2-#16



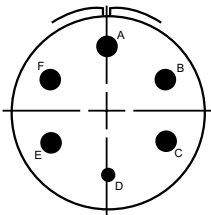
22-12  
3-#16, 2-#8



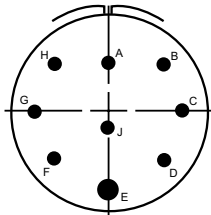
22-13  
1-#16, 4-#12



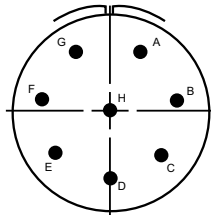
22-14  
19-#16



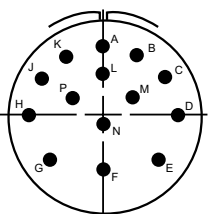
22-15  
1-#16, 5-#12



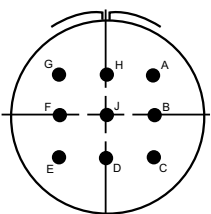
22-17  
8-#16, 1-#12



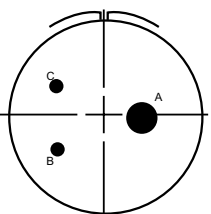
22-18  
8-#16



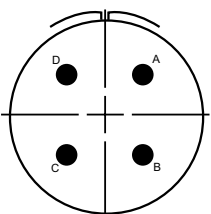
22-19  
14-#16



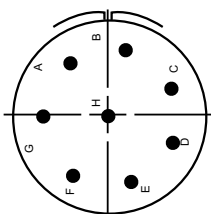
22-20  
9-#16



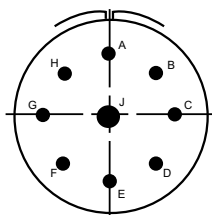
22-21  
2-#16, 1-#0



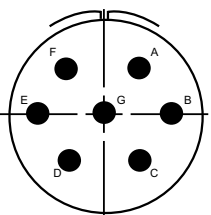
22-22  
4-#8



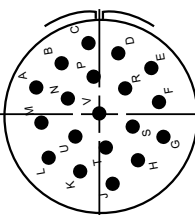
22-23  
8-#12



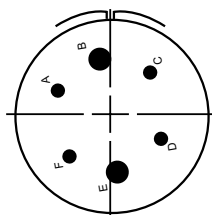
22-27  
1-#8, 8-#16



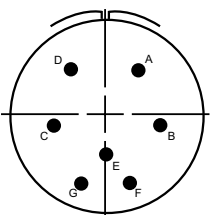
22-28  
7-#12



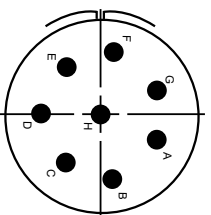
22-30  
19-#16



22-32  
4-#16, 2-#12



22-33  
3-#16, 4-#16



22-36  
8-#12

TOLERANCE

XX ± .010  
.XXX ± .005  
ANGLES ± 1°

TITLE

INSERT PATTERNS  
MIL-DTL-5015 SERIES II & III

SHEET

3 OF 7

DWG. NO.

M5015

REV

-

<http://www.corsairelectricalconnectors.com> (949) 833-0273

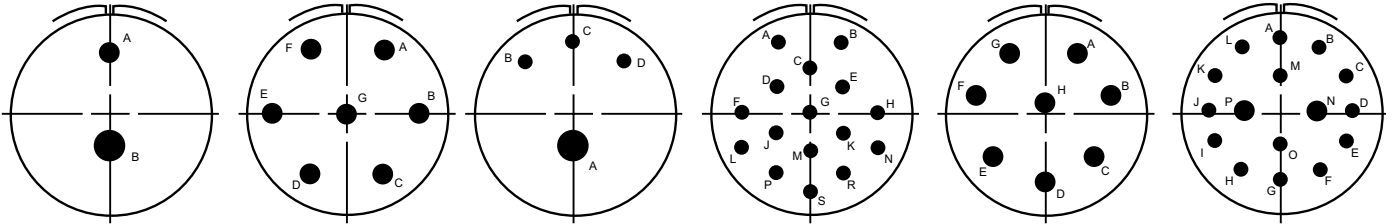
# MIL-DTL-5015

SERIES II & III



MIL-DTL-5015 SERIES III INSERT PATTERNS PER MIL-STD-1651  
 CAVITY IDENTIFICATION SHOWN FOR FRONT FACE  
 OF PIN AND REAR FACE OF SOCKET INSERTS

SHELL SIZE 24 INSERT PATTERNS



24-1  
1-#12, 1-#0

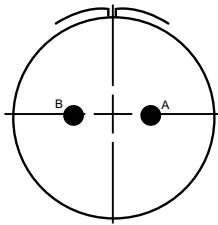
24-2  
7-#12

24-4  
3-#16, 1-#0

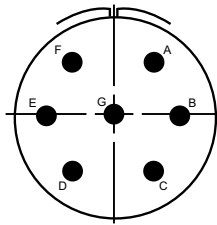
24-5  
16-#16

24-6  
8-#12

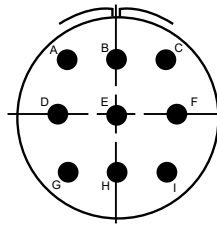
24-7  
14-#16, 2-#12



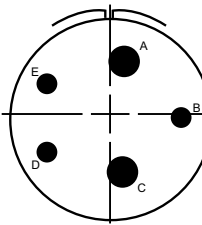
24-9  
2-#4



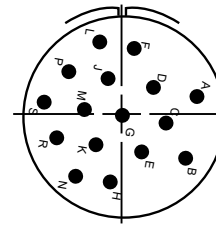
24-10  
7-#8



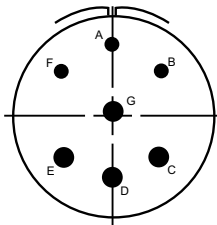
24-11  
6-#12, 3-#8



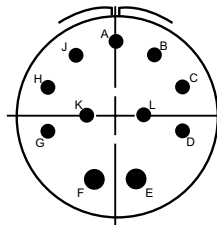
24-12  
3-#12, 2-#4



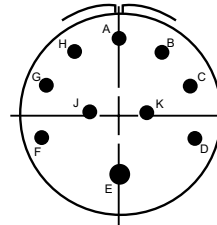
24-15  
16-#16



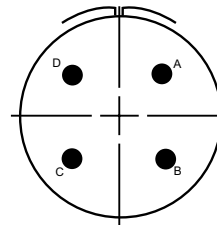
24-16  
3-#16, 1-#8, 3-#12



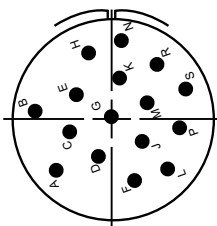
24-20  
9-#16, 2-#12



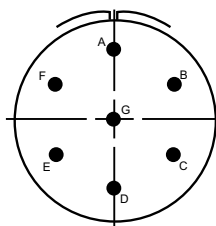
24-21  
9-#16, 1-#8



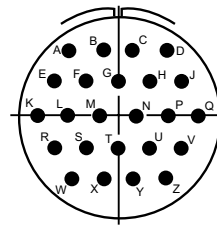
24-22  
4-#8



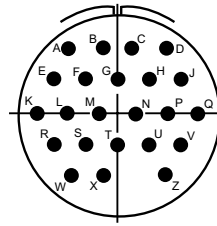
24-24  
16-#16



24-27  
7-#16



24-28  
24-#16



24-80  
23-#16

TOLERANCE  
 XX ± .010  
 .XXX ± .005  
 ANGLES ± 1°

TITLE  
 INSERT PATTERNS  
 MIL-DTL-5015 SERIES II & III

SHEET  
 4 OF 7

DWG. NO.  
 M5015

REV  
 -

<http://www.corsairelectricalconnectors.com> (949) 833-0273

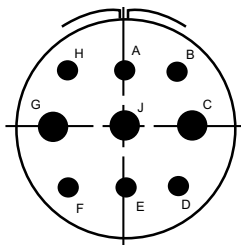
# MIL-DTL-5015

SERIES II & III

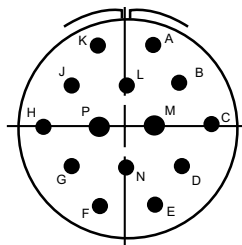


MIL-DTL-5015 SERIES III INSERT PATTERNS PER MIL-STD-1651  
 CAVITY IDENTIFICATION SHOWN FOR FRONT FACE  
 OF PIN AND REAR FACE OF SOCKET INSERTS

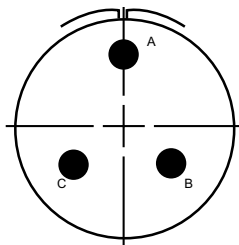
SHELL SIZE 28 INSERT PATTERNS



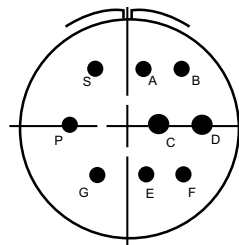
28-1  
6-#12, 3-#8



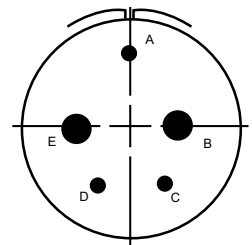
28-2  
12-#16, 2-#12



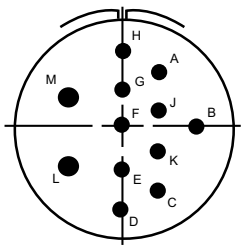
28-3  
3-#8



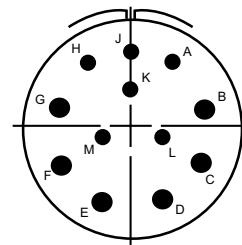
28-4  
7-#16, 2-#12



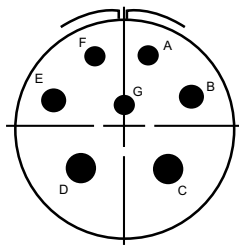
28-5  
2-#16, 1-#12, 2-#4



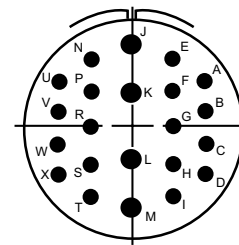
28-8  
2-#12, 10-#16



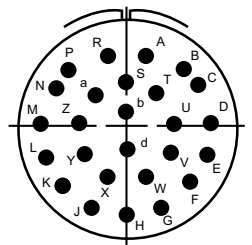
28-9  
6-#16, 6-#12



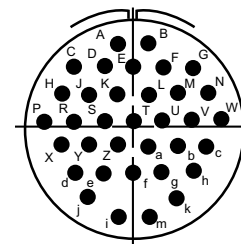
28-10  
3-#12, 2-#8, 2-#4



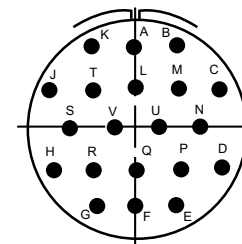
28-11  
18-#16, 4-#12



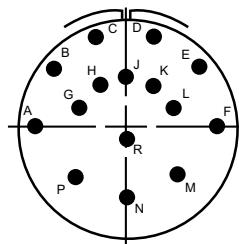
28-12  
26-#16



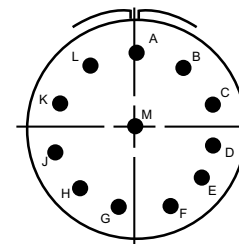
28-15  
35-#16



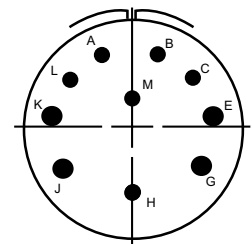
28-16  
20-#16



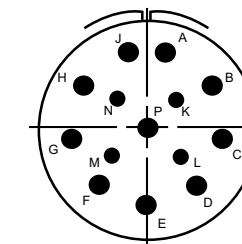
28-17  
15-#16



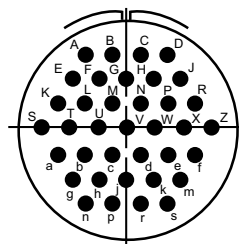
28-18  
12-#16



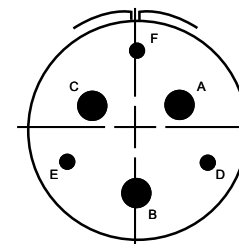
28-19  
6-#16, 4-#12



28-20  
4-#16, 10-#12



28-21  
37-#16



28-22  
3-#16, 3-#4

TOLERANCE

XX ± .010  
 .XXX ± .005  
 ANGLES ± 1°

TITLE

INSERT PATTERNS  
 MIL-DTL-5015 SERIES II & III

SHEET

5 OF 7

DWG. NO.

M5015

REV

-

<http://www.corsairelectricalconnectors.com> (949) 833-0273

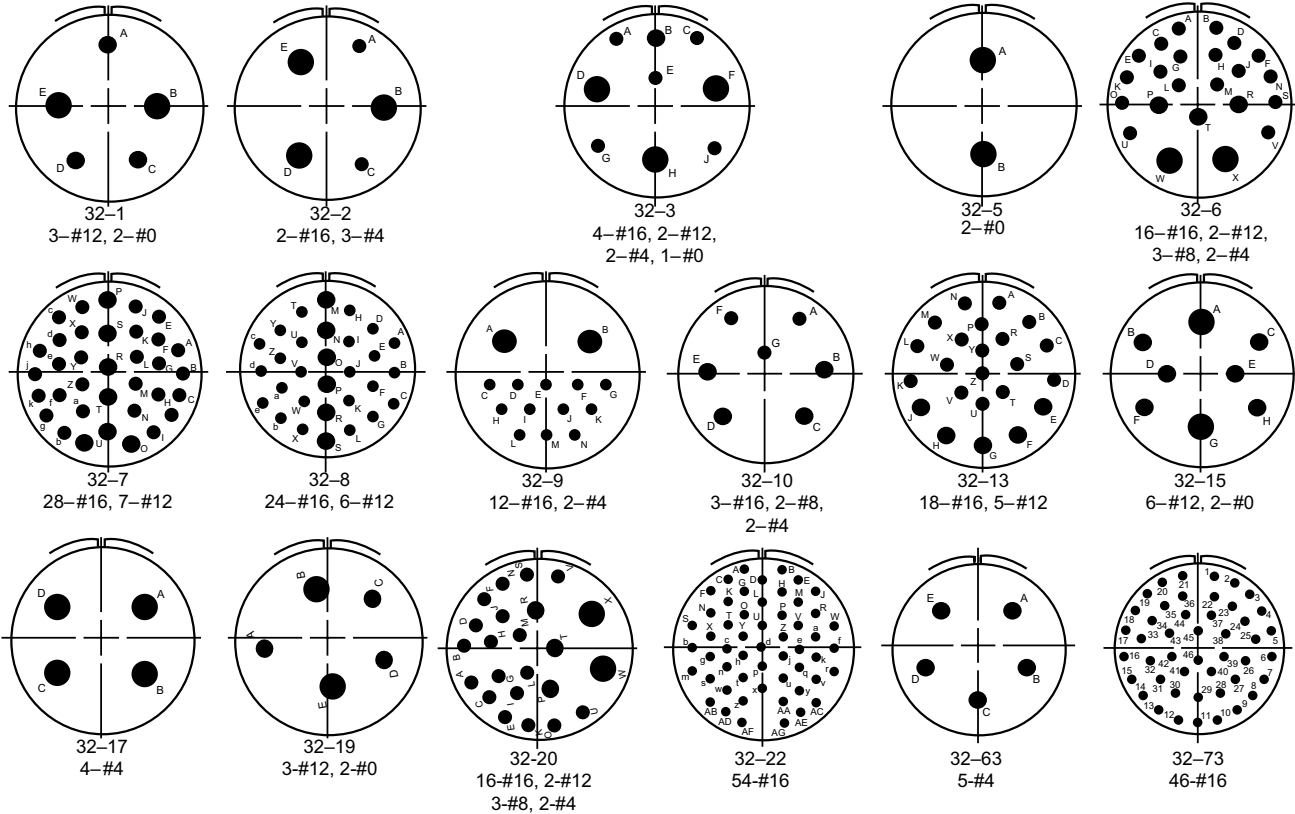
# MIL-DTL-5015

SERIES II & III

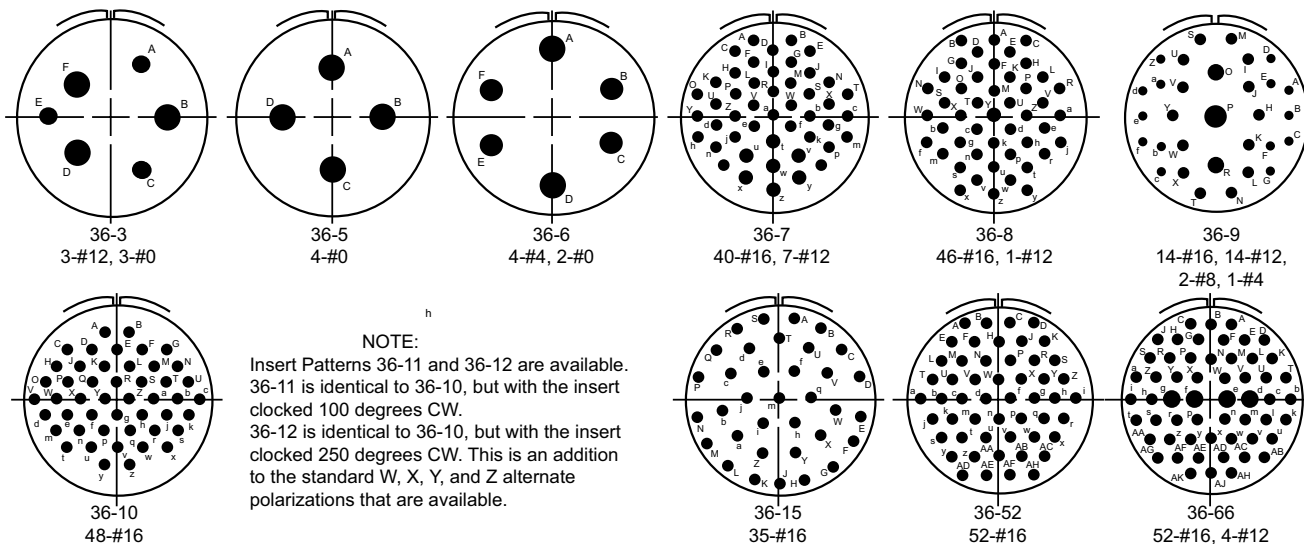


## MIL-DTL-5015 SERIES III INSERT PATTERNS CAVITY IDENTIFICATION SHOWN FOR FRONT FACE OF PIN AND REAR FACE OF SOCKET INSERTS

### SHELL SIZE 32 INSERT PATTERNS



### SHELL SIZE 36 INSERT PATTERNS



**NOTE:**  
Insert Patterns 36-11 and 36-12 are available.  
36-11 is identical to 36-10, but with the insert  
clocked 100 degrees CW.  
36-12 is identical to 36-10, but with the insert  
clocked 250 degrees CW. This is an addition  
to the standard W, X, Y, and Z alternate  
polarizations that are available.

**TOLERANCE**

XX ± .010  
.XXX ± .005  
ANGLES ± 1°

**TITLE**

INSERT PATTERNS  
MIL-DTL-5015 SERIES II & III

**SHEET**

6 OF 7

**DWG. NO.**

M5015

**REV**

-

<http://www.corsairelectricalconnectors.com> (949) 833-0273



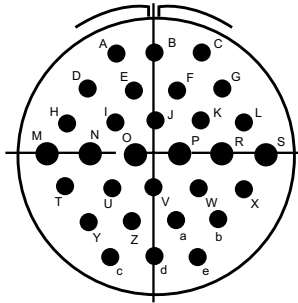
# MIL-DTL-5015

SERIES II & III

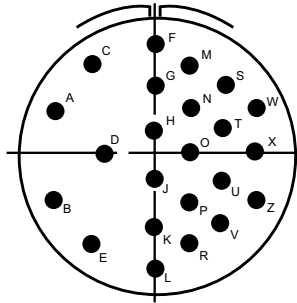


**MIL-DTL-5015 SERIES III INSERT PATTERNS PER MIL-STD-1651  
CAVITY IDENTIFICATION SHOWN FOR FRONT FACE  
OF PIN AND REAR FACE OF SOCKET INSERTS**

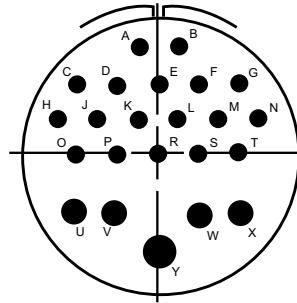
**SHELL SIZE 40 INSERT PATTERNS**



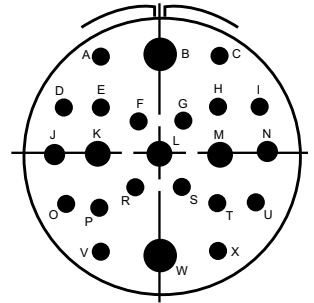
40-1  
24-#16, 6-#12



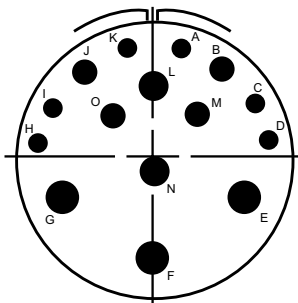
40-2  
23-#16



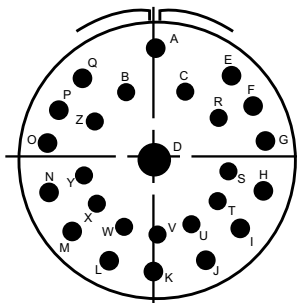
40-3  
18-#16, 4-#12, 1-#4



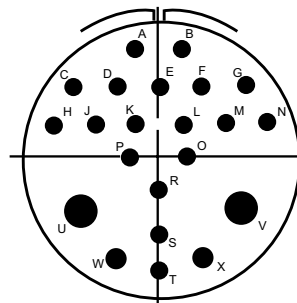
40-4  
16-#16, 2-#12,  
3-#8, 2-#4



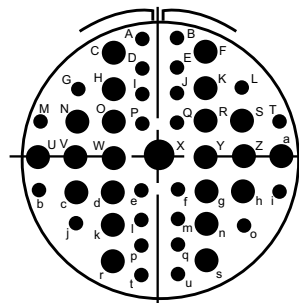
40-5  
6-#12, 4-#8,  
2-#4, 3-#0



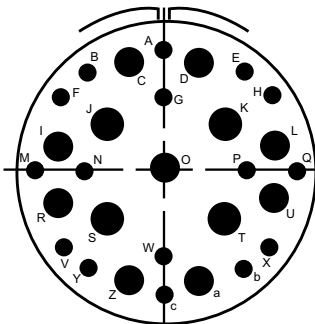
40-6  
24-#16, 1-#12, 1-#0



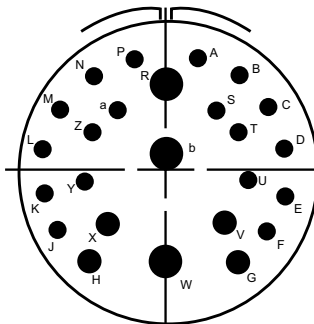
40-7  
18-#16, 2-#12, 2-#0



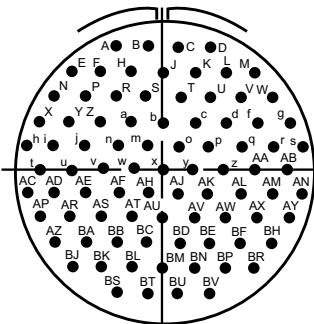
40-9  
24-#16, 22-#12, 1-#8



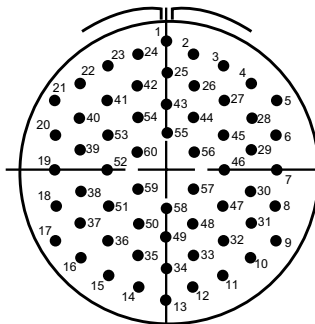
40-10  
16-#16, 9-#8, 4-#4



40-11  
18-#16, 4-#12,  
1-#8, 1-#4, 1-#0



40-56  
85-#16



40-62  
60-#16

TOLERANCE

XX ± .010  
.XXX ± .005  
ANGLES ± 1°

TITLE

INSERT PATTERNS  
MIL-DTL-5015 SERIES II & III

SHEET

7 OF 7

DWG. NO.

M5015

REV

-

<http://www.corsairelectricalconnectors.com> (949) 833-0273

# MIL-DTL-26482

## SERIES 2



### MIL-DTL-26482 SERIES 2 AND CORSAIR PART NUMBER CROSS REFERENCE

<b>Military Prefix</b>	MS34	70	W	14	4	P	X
<b>Corsair Prefix</b>	CJ09	70	W	14	4	P	X

<b>Shell Configuration</b>	_____
70 Receptacle, narrow flange	
71 Receptacle, cable connecting	
72 Receptacle, wide flange	
74 Receptacle, jam nut	
75 Plug, RFI grounding	
76 Plug, straight	
<b>Class (materials/finish)</b>	_____
A Aluminum, black anodized	
L Aluminum, electroless nickel	
W Aluminum, olive drab cadmium over electroless nickel	
S Stainless steel, passivated	
<b>Shell Size</b>	_____
8, 10, 12, 14, 16, 18, 20, 22, or 24	
<b>Insert arrangement</b>	_____
Refer to layout patterns per MIL-STD-1669	
<b>Contact Type</b>	_____
P Pin	
S Socket	
A Connector less pins	
B Connector less sockets	
<b>Polarization</b>	_____
N Normal (not included in part number)	
W, X, Y, or Z Alternate positions, refer to polarization chart	

The normal position (N) has the insert centerline coinciding with the centerline of the master key (or keyway) of the shell. The alternate clocking positions (W,X,Y,Z) are accomplished by rotating the pin insert clockwise. The socket insert is rotated counter clockwise.

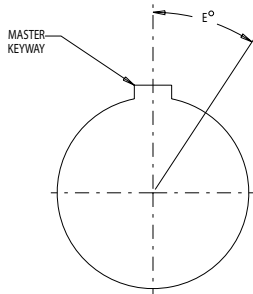


FIGURE 1

Figure 1 illustrates the centerline of the insert rotation clockwise, with the table showing the degree of rotation. Figure 1 looking at the engaging face of the pin insert.

### MIL-DTL-26482 SERIES 2 POLARIZING POSITIONS

Insert	E Degrees				
	N°	W°	X°	Y°	Z°
8-2	0	58	122	---	0
8-3	0	60	210	---	---
8-4	0	45	---	---	---
8-33	0	90	---	---	---
8-98	0	---	---	---	---
10-6	0	90	---	---	---
10-98	0	90	180	240	270
12-3	0	---	---	180	---
12-8	0	90	112	203	292
12-10	0	60	155	270	295
14-4	0	45	---	---	---
14-5	0	40	92	184	273
14-9	0	15	90	180	240
14-12	0	43	90	---	---
14-15	0	17	110	155	234
14-18	0	15	90	180	270
14-19	0	30	165	315	---
14-22	0	45	---	---	---
16-8	0	54	152	180	331
16-14	0	25	78	180	240
16-23	0	158	270	---	---
16-26	0	60	---	275	338
16-95	0	25	90	153	---
16-99	0	66	156	223	340

Insert	E Degrees				
	N°	W°	X°	Y°	Z°
18-8	0	180	---	---	---
18-11	0	62	119	241	340
18-30	0	180	193	285	350
18-32	0	85	138	222	265
18-85	0	45	90	180	240
18-88	0	12	45	168	202
20-16	0	238	318	333	347
20-24	0	70	145	215	290
20-27	0	72	144	216	288
20-39	0	63	144	252	333
20-41	0	45	126	225	---
20-90	0	18	60	240	270
22-12	0	---	---	---	---
22-19	0	15	90	225	308
22-21	0	16	135	175	349
22-32	0	72	145	215	288
22-34	0	62	142	218	298
22-41	0	39	135	264	---
22-55	0	30	142	226	314
22-95	0	26	180	266	---
22-96	0	19	41	---	---
24-19	0	30	165	315	---
24-27	0	45	110	140	225
24-31	0	90	225	255	---
24-61	0	90	180	270	324

<b>TOLERANCE</b> XX ± .010 .XXX ± .005 ANGLES ± 1°	<b>TITLE</b> MIL-DTL-26482, SERIES 2, CORSAIR PART NUMBER CROSS REFERENCE	<b>SHEET</b> 1 OF 1	<b>DWG. NO.</b> MIL-DTL-26482	<b>REV</b> -
		<a href="http://www.corsairelectricalconnectors.com">http://www.corsairelectricalconnectors.com</a> (949) 833-0273		

# MIL-DTL-26482

## SERIES 2



### GENERAL SPECIFICATIONS

Rear release contact retention system.  
 9 shell sizes (8 to 24) in 49 insert arrangements utilizing contact sizes 20, 16, and 12 gage crimp contacts per MIL-C-39029.  
 Bayonet coupling mechanism.  
 Polarization by insert rotation, per MIL-STD-1669.  
**Operating temperature range:**  
 -55 degrees C (-67 degrees F) to 200 degrees C (392 degrees F).  
 Uses high reliability metal contact retention clips.

Environmental Fluorosilicone Elastomers

Refer to page 96 for additional contact and tooling information.

### VOLTAGE RATING

ALTITUDE WORKING VOLTAGE, AC, RMS

Condition	Service Rating	Service Rating	Service Rating
	I	II	Shielded
Sea Level	600	1000	500 volts, dc
70,000 ft.	300	450	---

The following insert arrangements have a Service Rating II.  
 12-3 14-5 16-8 18-11 20-16 22-21 24-19  
 All others have a Service Rating I.

### CONTACTS

Gage	Military Part Number	Wire Range	Test Current
20	M39029/4-110 PIN	20-24	7.5 amps
	M39029/5-115 SOCKET		
16	M39029/4-111 PIN	16-20	13.0 amps
	M39029/5-116 SOCKET		
12	M39029-4-113 PIN	12-14	23 amps
	M39029-5-118 SOCKET		

### INSTALLING / REMOVING TOOLS (PLASTIC)

Gage	Military Part Number	Size
20	M81969/14-11	20
16	M81969/14-03	16
12	M81969/14-04	12

### SEALING PLUGS

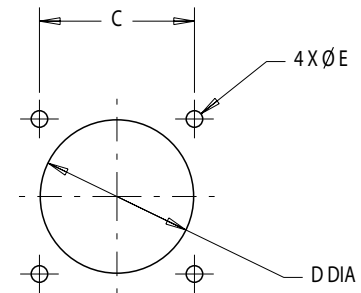
Military Part Number
MS27488-20-2
MS27488-16-2
MS27488-12-2

## MIL-DTL-26482 SERIES 2

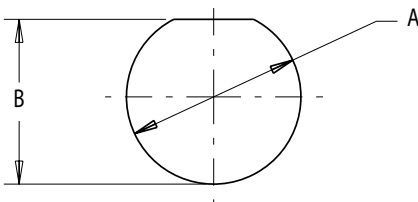
### RECEPTACLE PANEL CUTOUTS

M3470 RECEPTACLE, NARROW FLANGE

M3472 RECEPTACLE, WIDE FLANGE



### MS3474 RECEPTACLE, JAM NUT



Shell Size	Jam Nut Receptacle		Square Flange Mount Receptacles			
	A ± .005	B ± .005	Narrow Flange C ± .005	Wide Flange C ± .005	DIA D ± .005	DIA E ± .005
8	0.572	0.536	0.594	0.734	0.568	0.120
10	0.697	0.661	0.719	0.812	0.685	0.120
12	0.895	0.824	0.812	0.938	0.864	0.120
14	1.010	0.948	0.906	1.031	0.989	0.120
16	1.135	1.072	0.969	1.125	1.113	0.120
18	1.260	1.197	1.062	1.203	1.238	0.120
20	1.385	1.322	1.156	1.297	1.363	0.120
22	1.510	1.447	1.250	1.375	1.488	0.120
24	1.635	1.572	1.375	1.500	1.615	0.147

#### TOLERANCE

XX ± .010  
 .XXX ± .005  
 ANGLES ± 1°

#### TITLE

GENERAL SPECIFICATION  
 & RECOMMENDED PANEL DIMENSIONS.  
 MIL-DTL-26482 SERIES 2

#### SHEET

1 OF 1

#### DWG. NO.

M26482

#### REV

-

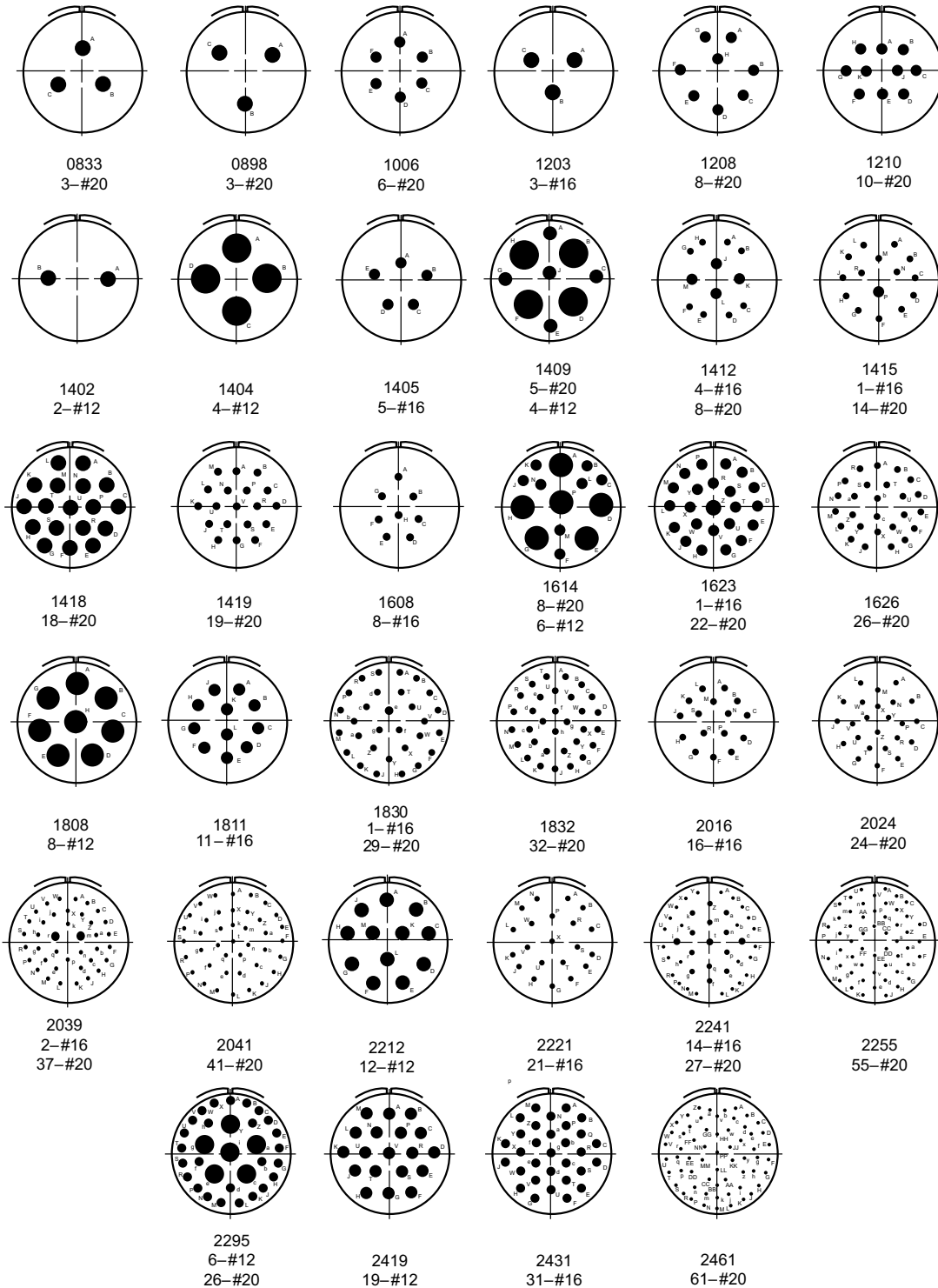
<http://www.corsairelectricalconnectors.com> (949) 833-0273

# MIL-DTL-26482

## SERIES 2



### MIL-DTL-26482 SERIES 2 INSERT PATTERNS PER MIL-STD-1669 CAVITY IDENTIFICATION SHOWN FOR FRONT FACE OF PIN AND REAR FACE OF SOCKET INSERTS



TOLERANCE  
XX ± .010  
.XXX ± .005  
ANGLES ± 1°

TITLE  
INSERT PATTERNS  
MIL-DTL-26482 SERIES 2

SHEET  
1 OF 1

DWG. NO.  
M26482

REV  
-

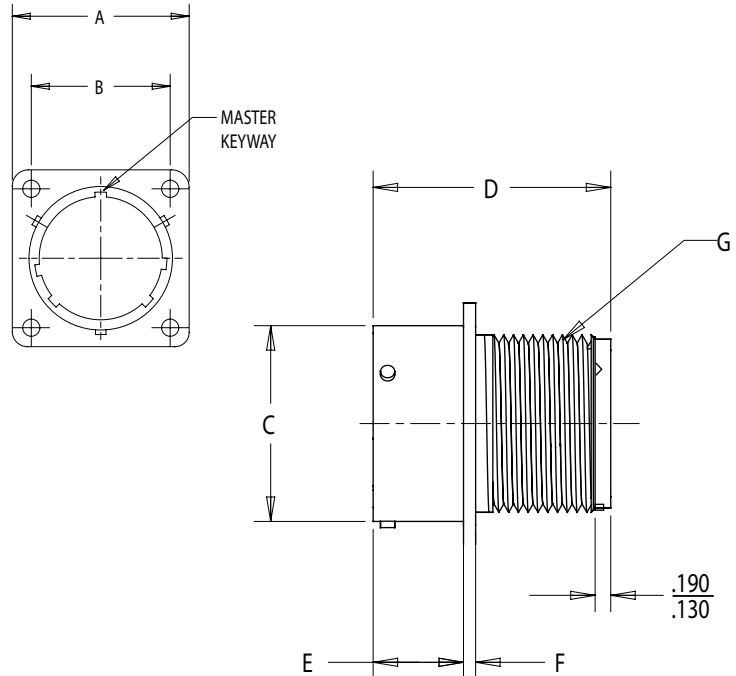
<http://www.corsairelectricalconnectors.com> (949) 833-0273

# MS3470

MIL-DTL-26482 SERIES 2



## MS3470 NARROW FLANGE RECEPTACLE



Shell Size	A Max.	B ± .005	C - .006	D Max.	E - .031	F ± .016	G Accessory Thread
8	0.828	0.594	0.474	1.215	0.462	0.062	1/2-20 UNF 2A
10	0.954	0.719	0.591	1.215	0.462	0.062	5/8-24 UNEF 2A
12	1.047	0.812	0.751	1.215	0.462	0.062	3/4-20 UNEF 2A
14	1.141	0.906	0.876	1.215	0.462	0.062	7/8-20 UNEF 2A
16	1.234	0.969	1.001	1.215	0.462	0.062	1-20 UNEF 2A
18	1.328	1.062	1.126	1.215	0.462	0.062	1 1/16-16 UNEF 2A
20	1.453	1.156	1.251	1.275	0.587	0.094	1 3/16-16 UNEF 2A
22	1.578	1.250	1.376	1.275	0.587	0.094	1 5/16-16 UNEF 2A
24	1.703	1.375	1.501	1.275	0.620	0.094	1 7/16-18 UNEF 2A

TOLERANCE  
XX ± .010  
.XXX ± .005  
ANGLES ± 1°

TITLE  
CONNECTOR, ELECTRICAL, NARROW WALL MTG.  
RECEPTACLE ,CRIMP CONTACTS, MIL-DTL-26482 SERIES 2

SHEET  
1 OF 1

DWG. NO.  
MS3470

REV  
-

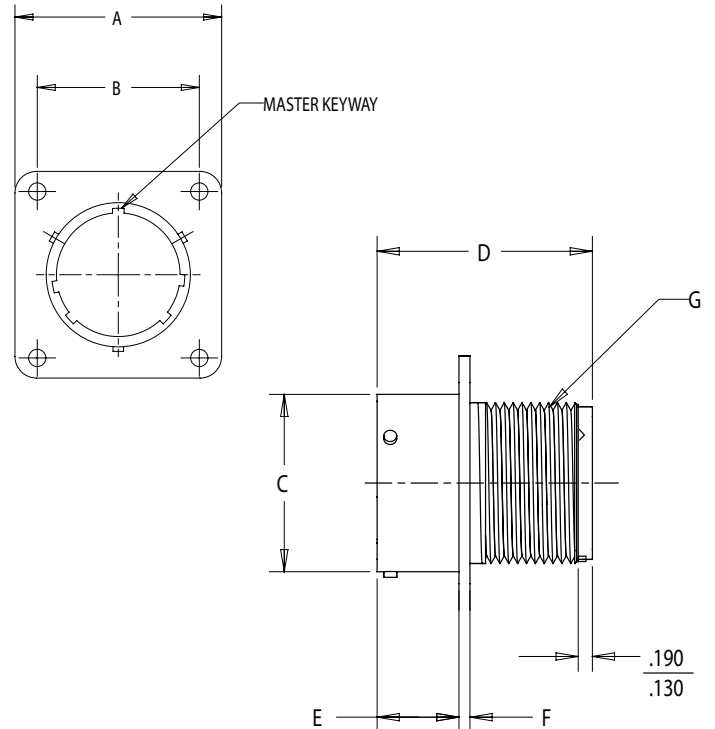
<http://www.corsairelectricalconnectors.com> (949) 833-0273

# MS3472

MIL-DTL-26482 SERIES 2



## MS3472 WIDE FLANGE RECEPTACLE



Shell Size	A Max.	B ± .005	C - .006	D Max.	E - .031	F ±.016	G Accessory Thread
8	1.065	0.734	0.474	1.215	0.493	0.062	1/2-20 UNF 2A
10	1.141	0.812	0.591	1.215	0.493	0.062	5/8-24 UNEF 2A
12	1.266	0.938	0.751	1.215	0.493	0.062	3/4-20 UNEF 2A
14	1.360	1.031	0.876	1.215	0.493	0.062	7/8-20 UNEF 2A
16	1.453	1.125	1.001	1.215	0.493	0.062	1-20 UNEF 2A
18	1.532	1.203	1.126	1.215	0.493	0.062	1 1/16-16 UNEF 2A
20	1.688	1.297	1.251	1.275	0.587	0.094	1 3/16-16 UNEF 2A
22	1.766	1.375	1.376	1.275	0.587	0.094	1 5/16-16 UNEF 2A
24	1.891	1.500	1.501	1.275	0.620	0.094	1 7/16-18 UNEF 2A

TOLERANCE  
XX ± .010  
.XXX ± .005  
ANGLES ± 1°

TITLE  
CONNECTOR, ELECTRICAL, WIDE WALL MTG.  
RECEPTACLE ,CRIMP CONTACTS, MIL-DTL-26482 SERIES 2

SHEET  
1 OF 1

DWG. NO.  
MS3472

REV  
-

<http://www.corsairelectricalconnectors.com> (949) 833-0273

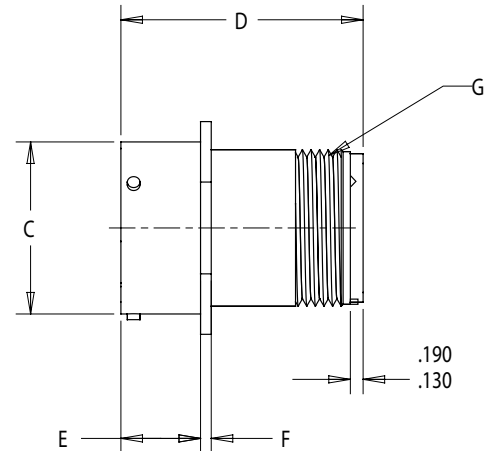
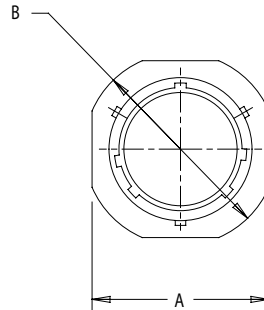


# MS3471

MIL-DTL-26482 SERIES 2



## MS3471 RECEPTACLE, IN LINE



Shell Size	A Max.	B + .020	C + .003	D Max.	E	F ±.016	G Accessory Thread
8	0.828	0.938	0.471	1.405	.462/.431	0.062	1/2-20 UNF-2A
10	0.954	1.062	0.588	1.405	.462/.431	0.062	5/8-24 UNEF-2A
12	1.047	1.156	0.748	1.405	.462/.431	0.062	3/4-20 UNEF-2A
14	1.141	1.250	0.873	1.405	.462/.431	0.062	7/8-20 UNEF-2A
16	1.234	1.344	0.998	1.405	.462/.431	0.062	1-20 UNEF-2A
18	1.328	1.438	1.123	1.405	.462/.431	0.062	1 1/16-18 UNEF-2A
20	1.453	1.562	1.248	1.465	.587/.556	0.094	1 3/16-18 UNEF-2A
22	1.578	1.688	1.373	1.465	.587/.556	0.094	1 5/16-18 UNEF-2A
24	1.703	1.812	1.498	1.465	.620/.589	0.094	1 7/16-18 UNEF-2A

TOLERANCE  
 XX ± .010  
 .XXX ± .005  
 ANGLES ± 1°

TITLE  
 CONNECTOR, ELECTRICAL, IN LINE  
 RECEPTACLE ,CRIMP CONTACTS, MIL-DTL-26482 SERIES 2

SHEET  
 1 OF 1

DWG. NO.  
 MS3471

REV  
 -

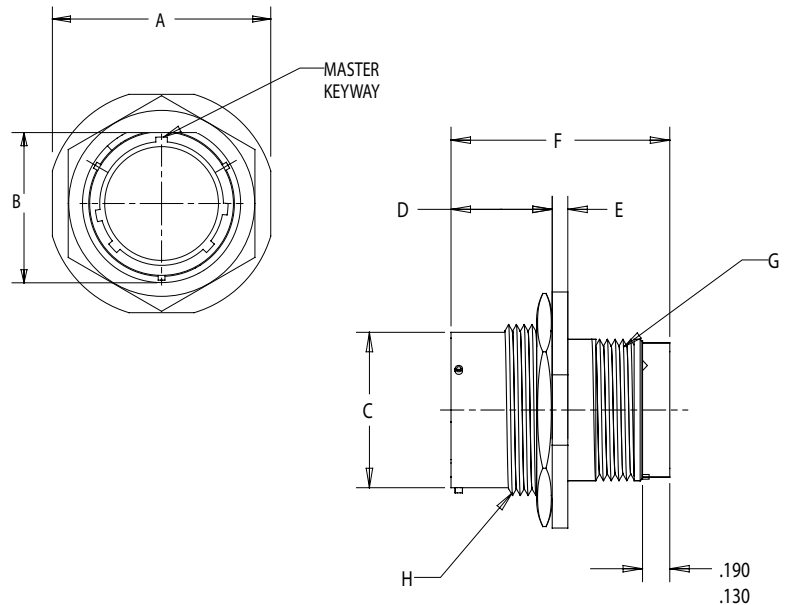
<http://www.corsairelectricalconnectors.com> (949) 833-0273

# MS3474

MIL-DTL-26482 SERIES 2



## MS3474 JAM NUT RECEPTACLE



Shell Size	A Max.	B ± .005	C + .006	D	E	F Max.	G Accessory Thread	H Mounting Thread
8	0.954	0.525	0.468			1.405	1/2-20 UNF-2A	9/16-24 UNEF-2A
10	1.078	0.650	0.585			1.405	5/8-24 UNEF-2A	11/16-24 UNEF-2A
12	1.266	0.813	0.745	0.707	0.113	1.405	3/4-20 UNEF-2A	7/8-20 UNEF-2A
14	1.391	0.937	0.870	0.658	0.086	1.405	7/8-20 UNEF-2A	1-20 UNEF-2A
16	1.516	1.061	0.995			1.405	1-20 UNEF-2A	1 1/8-18 UNEF-2A
18	1.641	1.186	1.220			1.405	1 1/16-18 UNEF-2A	1 1/4-18 UNEF-2A
20	1.828	1.311	1.245			1.465	1 3/16-18 UNEF-2A	1 3/8-18 UNEF-2A
22	1.954	1.436	1.370	0.772	0.148	1.465	1 5/16-18 UNEF-2A	1 1/2-18 UNEF-2A
24	2.078	1.561	1.495	0.721	0.096	1.465	1 7/16-18 UNEF-2A	1 5/8-18 UNEF-2A

TOLERANCE  
 XX ± .010  
 .XXX ± .005  
 ANGLES ± 1°

TITLE  
 CONNECTOR, ELECTRICAL, JAM NUT WALL MTG.  
 RECEPTACLE ,CRIMP CONTACTS, MIL-DTL-26482 SERIES 2

SHEET  
 1 OF 1

DWG. NO.  
 MS3474

REV  
 -

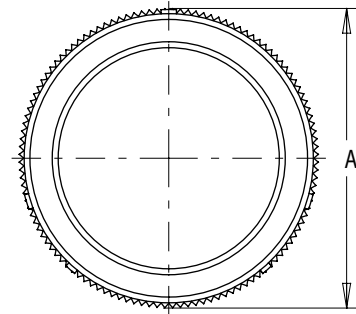
<http://www.corsairelectricalconnectors.com> (949) 833-0273

# MS3475/MS3476

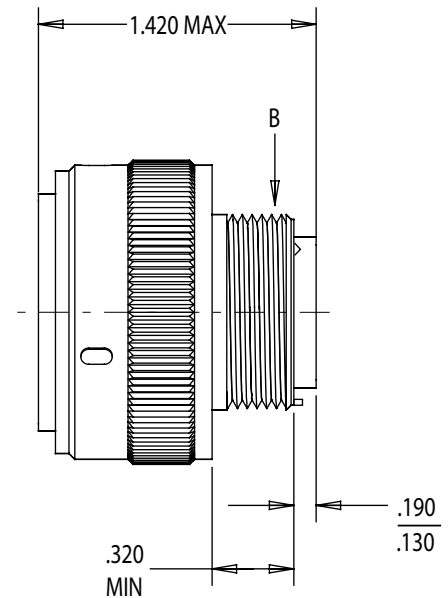
MIL-DTL-26482 SERIES 2



## MS3475 PLUG, RFI GROUNDING MS3476 PLUG, STANDARD



Shell Size	A Max.	B Accessory Thread
8	0.782	1/2-20 UNEF-2A
10	0.926	5/8-24 UNEF-2A
12	1.043	3/4-20 UNEF-2A
14	1.183	7/8-20 UNEF-2A
16	1.305	1-20 UNEF-2A
18	1.391	1 1/16-18 UNEF-2A
20	1.531	1 3/16-18 UNEF-2A
22	1.656	1 5/16-18 UNEF-2A
24	1.777	1 7/16-18 UNEF-2A



TOLERANCE  
XX ± .010  
.XXX ± .005  
ANGLES ± 1°

TITLE  
CONNECTOR, ELECTRICAL, RFI PLUG & STD. PLUG  
RECEPTACLE ,CRIMP CONTACTS, MIL-DTL-26482 SERIES 2

SHEET  
1 OF 1

DWG. NO.  
MS3475/MS3476

REV

-

<http://www.corsairelectricalconnectors.com> (949) 833-0273

# MIL-DTL-26482

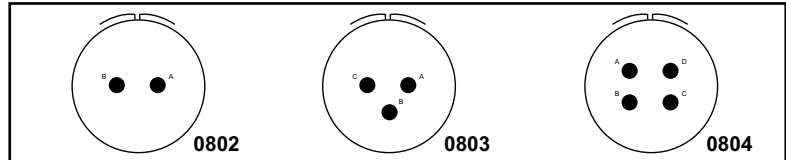
## SERIES 2



### MIL-C-26482 TYPE REAR RELEASE PLUGS

(Corsair CJ series intermateable with MIL-C-26482 Solder or Hermetic pin receptacles)

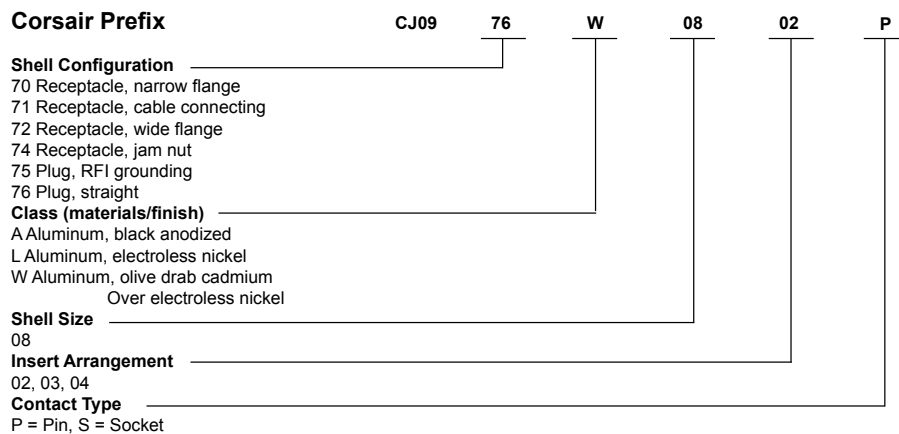
These three insert layouts, are not qualified to MIL-C-26482 Series 2. However, they are rear release and meet all of the appropriate parameters of Series 2, thus providing a higher level of environmental capabilities.



### CONTACT AND TOOLING INFORMATION

Contact Part Number	Crimp Tool	Turret	Insertion/Removal Tool
SOCKET: 244-2001-009	M22520/1-01	M22520/1-02	M81969/14-01
PIN: 264-2001-009	or M22520/2-02	or M22520/2-02	

### ORDERING NOMENCLATURE



TOLERANCE XX ± .010 .XXX ± .005 ANGLES ± 1°	TITLE CONNECTOR, ELECTRICAL, CJ SERIES, PLUG, SOLDER CONTACTS, MIL-DTL-26482 SERIES 2	SHEET 1 OF 1	DWG. NO. MIL-DTL-26482	REV -
		http://www.corsairelectricalconnectors.com (949) 833-0273		

# AS81790



## MS 90362 (SIX PIN) GENERAL SPECIFICATIONS

<b>Contacts, Power</b>	Thread, 3/8-24UNF-2A Silver plated Copper Alloy	<b>Contacts, Control</b>	Thread, 10-32UNF-2A Silver plated Copper Alloy
<b>Nut</b>	MS35650-3385T	<b>Nut</b>	MS35650-305T
<b>Flat Washer</b>	AN961-616T	<b>Flat Washer</b>	AN961-10T
<b>Lock Washer</b>	MS35335-91	<b>Lock Washer</b>	MS35335-88
<b>Receptacle Base</b> Molded Polyester / Glass			

## MS 3506-1 (THREE PIN) GENERAL SPECIFICATIONS

<b>Contacts, Power</b>	Thread, 3/8-24UNF-2A Silver plated Copper Alloy	<b>Contacts, Control</b>	Thread, 10-32UNF-2A Silver plated Copper Alloy
<b>Nut</b>	MS35650-3385T	<b>Nut</b>	MS35650-305T
<b>Flat Washer</b>	AN961-616T	<b>Flat Washer</b>	AN961-10T
<b>Lock Washer</b>	MS35335-91	<b>Lock Washer</b>	MS35335-88
<b>Receptacle Base</b> Molded Polyester / Glass			
<b>Shield</b> Aluminum, Epoxy Coated, permanently attached			

## ORDERING NOMENCLATURE

### EXTERNAL AIRCRAFT RECEPTACLES AND ASSOCIATED COMPONENTS MILITARY AND CORSAIR PART NUMBER CROSS REFERENCE

Description	Military Part No.	Corsair Part No.	Remarks
Connector, Receptacle, External Electric Power Aircraft, 115/200 volt, 400 Hertz, (six pin)	MS 90362-1	CJ01 GP6RP-1	with Shield only
	MS 90362-3	CJ01 GP6RP	basic receptacle only
	MS 90362-4	CJ01 GP6RP-4	with Shield and Cover
Shield (for six pin)	MS 17845-1	014-1627-001	
Cover (for six pin)	MS 3505-1	411-1600-001	
Description	Military Part No.	Corsair Part No.	Remarks
Connector, Receptacle, External Electrical Power, Aircraft, 28 VDC Operating power, (three pin)	MS 3506-1	CJ01GP3RP	Receptacle with shield
	N/A	CJ01GP3RP-1	Receptacle with no shield, (with no applicable military part number)

TOLERANCE XX ± .010 .XXX ± .005 ANGLES ± 1°	TITLE CONNECTOR, ELECTRICAL, POWER RECEPTACLE ,AS81790	SHEET	DWG. NO.	REV
		1 OF 5	AS81790	-
<a href="http://www.corsairelectricalconnectors.com">http://www.corsairelectricalconnectors.com</a> (949) 833-0273				

# AS81790



## MS 90362 SERIES

CONNECTOR, RECEPTACLE, EXTERNAL ELECTRIC POWER, AIRCRAFT, 115/200 VOLT, 400 HERTZ, SIX PIN

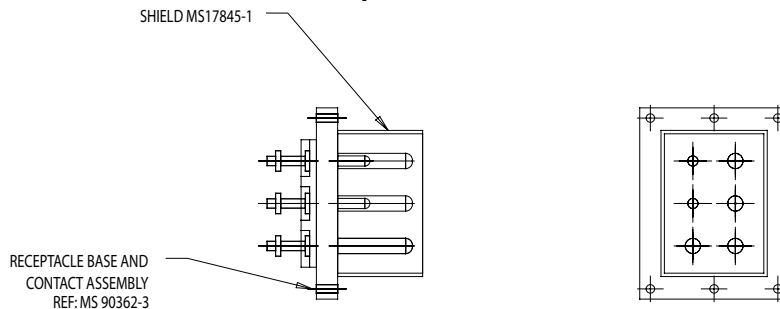
**MS 90362-1** Six pin receptacle with Shield (MS 17845-1)

**MS 90362-3** Six pin receptacle only

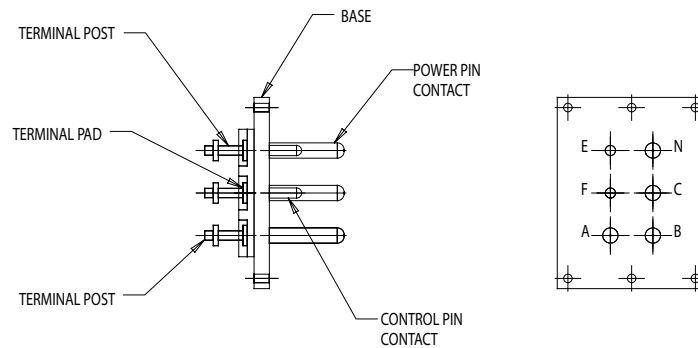
**MS 90362-4** Six pin receptacle with Shield (MS 17845-1) and Cover (MS 3505-1)



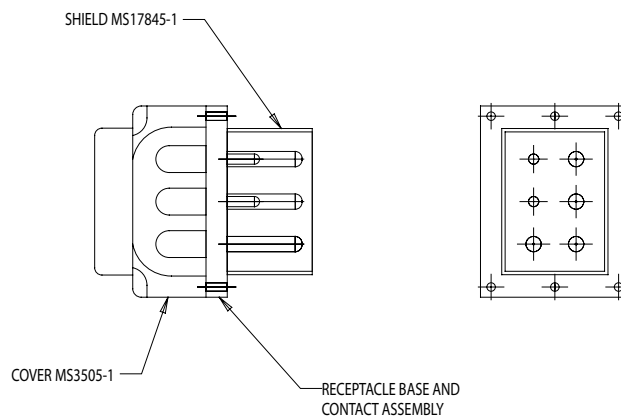
### MS 90362-1 Six Pin Receptacle with Shield (MS 17845-1)



### MS 90362-3 Six Pin Receptacle Only



### MS 90362-4 Six Pin Receptacle with Shield (MS 17845-1) and Cover (MS 3505-1)



TOLERANCE  
XX ± .010  
.XXX ± .005  
ANGLES ± 1°

TITLE  
CONNECTOR, ELECTRICAL, POWER  
RECEPTACLE ,AS81790

SHEET  
2 OF 5

DWG. NO.  
AS81790

REV

-

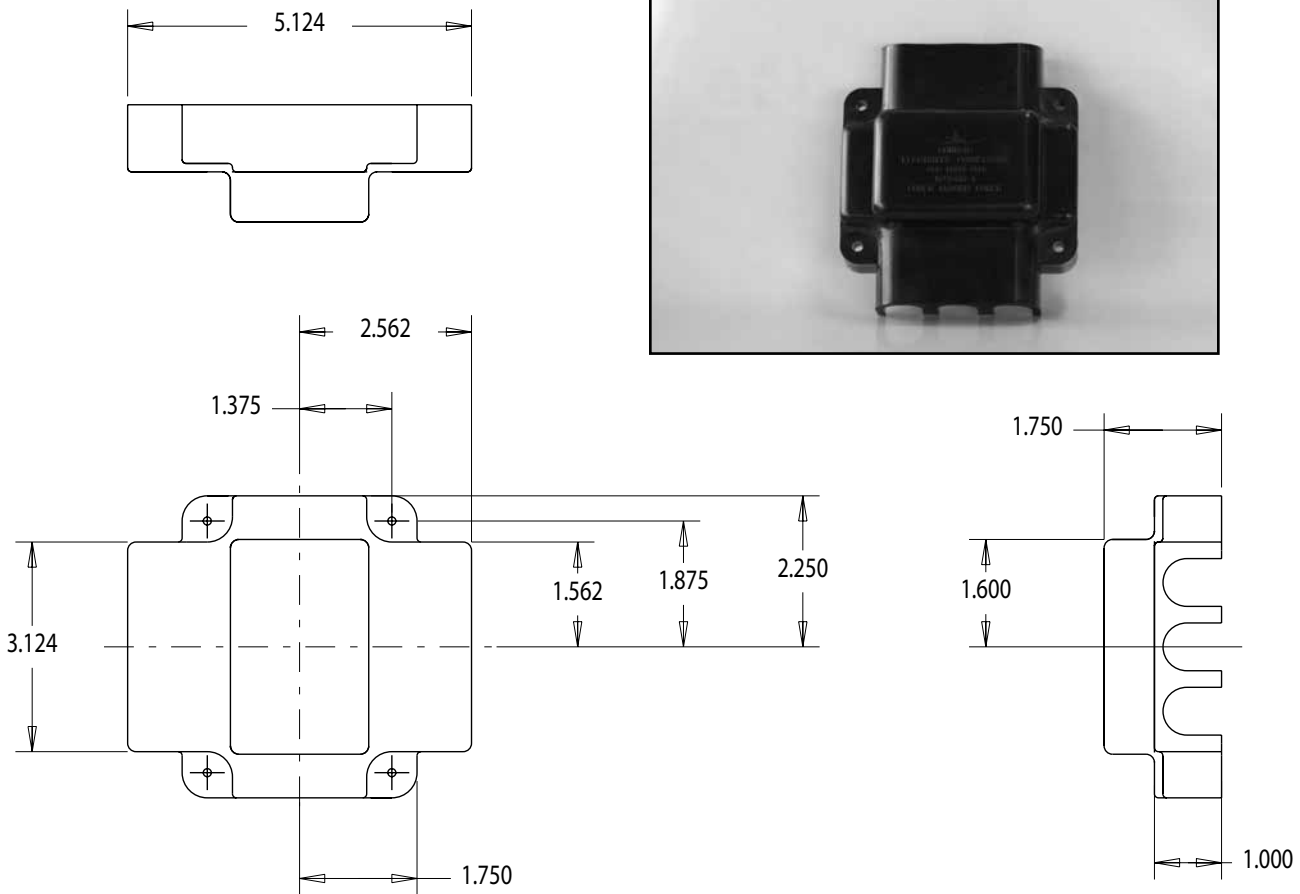
<http://www.corsairelectricalconnectors.com> (949) 833-0273



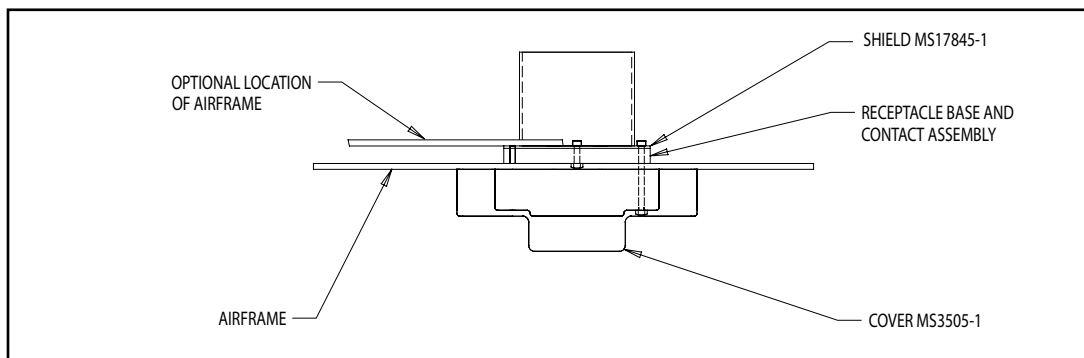
# AS81790



## MS 3505-1 COVER FOR USE WITH MS 90362 EXTERNAL POWER RECEPTACLE



### TYPICAL INSTALLATION



TOLERANCE  
XX ± .010  
.XXX ± .005  
ANGLES ± 1°

TITLE  
CONNECTOR, ELECTRICAL, POWER  
RECEPTACLE ,AS81790

SHEET  
3 OF 5

DWG. NO.  
AS81790

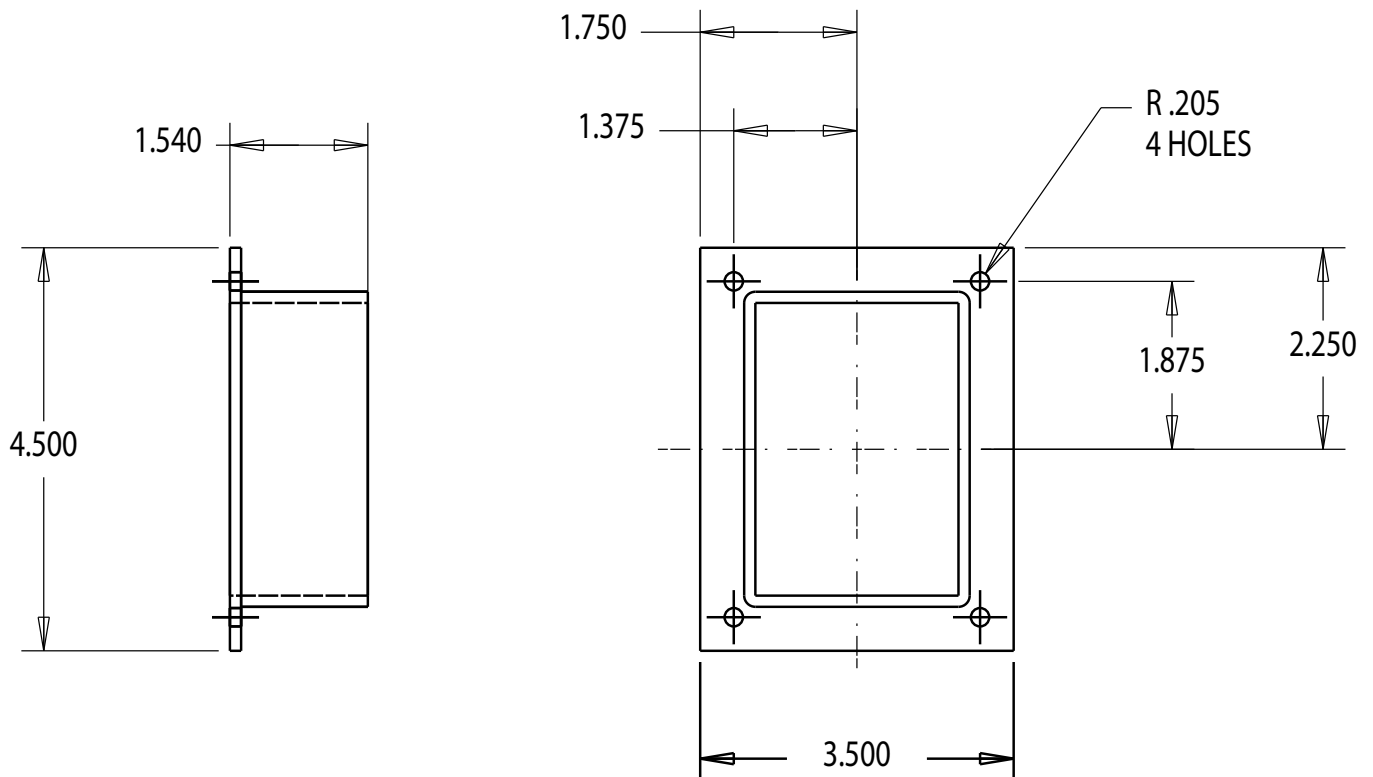
REV  
-

<http://www.corsairelectricalconnectors.com> (949) 833-0273

# AS81790



## MS17845-1 SHIELD FOR USE WITH MS 90362 EXTERNAL POWER RECEPTACLE



TOLERANCE  
XX ± .010  
.XXX ± .005  
ANGLES ± 1°

TITLE  
CONNECTOR, ELECTRICAL, POWER  
RECEPTACLE ,AS81790

SHEET  
4 OF 5

DWG. NO.  
AS81790

REV  
-

<http://www.corsairelectricalconnectors.com> (949) 833-0273

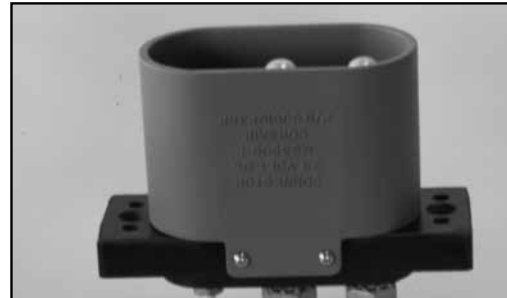
# AS81790



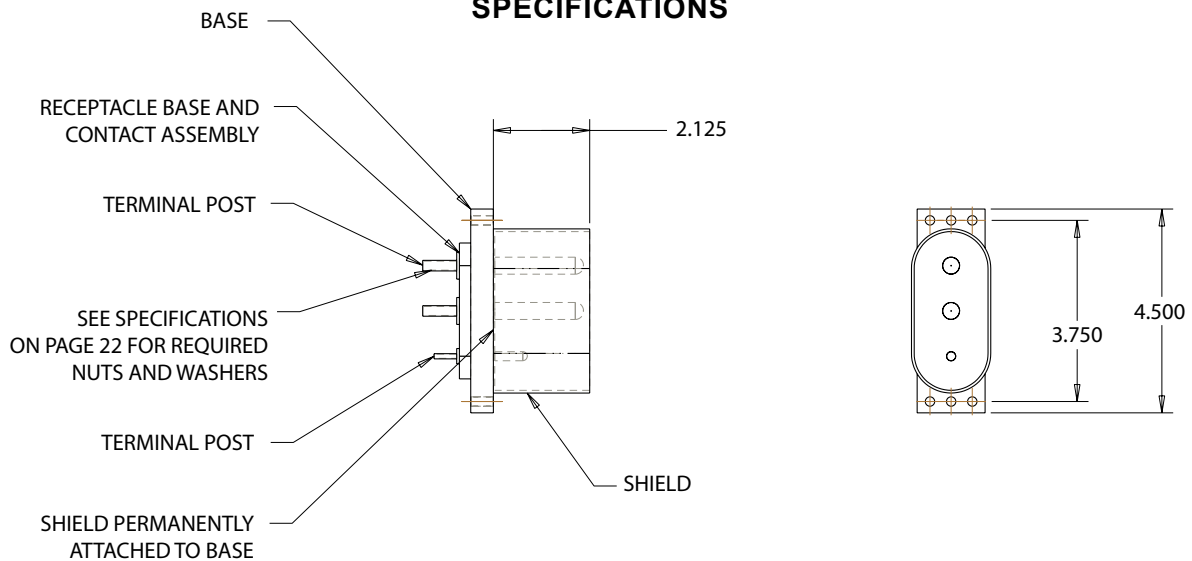
## MS 3506-1

CONNECTOR, RECEPTACLE, EXTERNAL ELECTRICAL POWER, AIRCRAFT, 28 VDC, THREE PIN

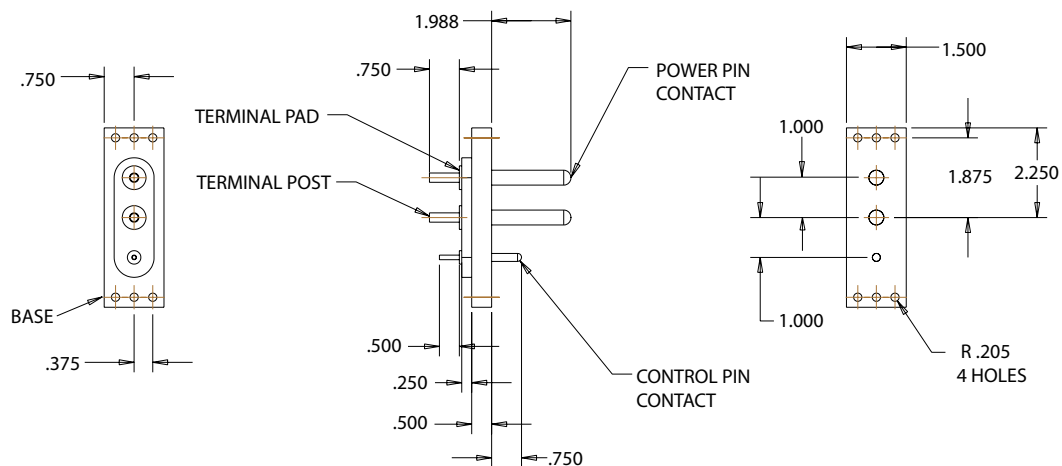
**MS 3506-1** Three pin receptacle, with Shield permanently attached



### SPECIFICATIONS



### DETAILS OF BASE AND CONTACT ASSEMBLY



TOLERANCE  
 XX ± .010  
 .XXX ± .005  
 ANGLES ± 1°

TITLE  
 CONNECTOR, ELECTRICAL, POWER  
 RECEPTACLE ,AS81790

SHEET  
 5 OF 5

DWG. NO.  
 AS81790

REV  
 -

<http://www.corsairelectricalconnectors.com> (949) 833-0273

# MIL-DTL-5015

## SERIES II



### ADDITIONAL CONTACT INFORMATION FOR MIL-DTL-5015 III CONNECTORS

Contact Size	DC Test Current	MIL-C-39029 (P/N = M39029) Contact Slash Sheet Number-PIN		Wire Range	Insulation Sealing Range $\phi$	Sealing Plugs MS27488
		PIN (Color Code)	Socket			
16S	13 AMPS	N/A	/30-217 RED/BRN/BLU	20-16 AWG	.053-.103	-16-3 (BLU)
16	13 AMPS	/29-212 RED/BRN/RED	/30-218 RED/BRN/GRY	20-16 AWG	.053-.103	-16-3 (BLU)
12	23 AMPS	/29-213 RED/BRN/ORN	/30-219 RED/BRN/WHT	14-12 AWG	.085-.158	-12-3 (YEL)
8	46 AMPS	/29-214 RED/BRN/YEL	/30-220 RED/RED/BLK	10-8* AWG	.132-.255	-8-3 (RED)
4	80 AMPS	/29-215 RED/BRN/GRN	/30-221 RED/RED/BRN	6-4* AWG	.237-.370	-4-3 (BLU)
0	150 AMPS	/29-216 RED/BRN/BLU	/30-222 RED/RED/RED	2-0* AWG	.360-.550	-0-3 (YEL)

\*Utilization of smaller wire is accomplished by use of MS3348 bushings

### MIL-DTL-5015 III ASSEMBLY INFORMATION CRIMP TOOLS AND INSERTION / REMOVAL TOOLS

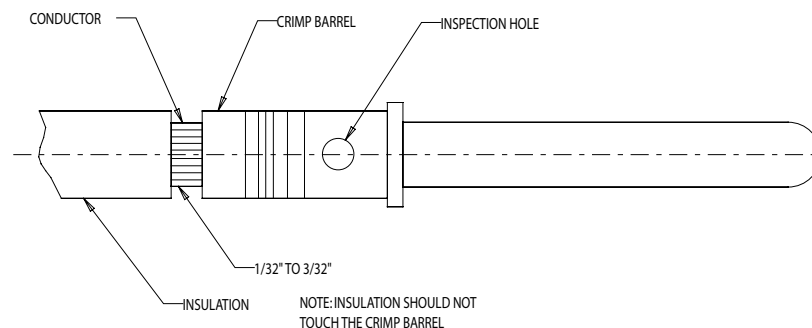
Contact Size	Crimping Tool	Positioner	Die	Locator	Extraction Tool Metal	Insertion Removal Tool Plastic
16S	M22520/1-01	M22520/1-02	N/A	N/A	M81969/8-208	M81969/14-03
16	M22520/1-01	M22520/1-02	N/A	N/A	M81969/8-208	M81969/14-03
12	M22520/1-01	M22520/1-02	N/A	N/A	M81969/8-210	M81969/14-04
8	M22520/23-01	N/A*	M22520/23-02	M22520/23-09	M81969/15-01	M81969/14-06
4	M22520/23-01	N/A*	M22520/23-03	M22520/23-11	M81969/15-02	M81969/14-07
0	M22520/23-01	N/A*	M22520/23-04	M22520/23-13	M81969/15-03	M81969/14-08

\*Pneumatic Crimping Machine required.

### ADDITIONAL CONTACT INFORMATION FOR MIL-DTL-26482 SERIES 2 CONNECTORS

Contact Size	DC Test Current	MIL-C-39029 (P/N = M39029) Contact Slash Sheet Number-PIN		Wire Range	Insulation Sealing Range $\phi$	Sealing Plugs MS27488
		PIN (Color Code)	Socket			
20	7.5 AMPS	/4-110 BRN/BRN/BLK	/5-115 BRN/BRN/GRN	24-20 AWG	.040 - .083	-20-2 (RED)
16	13 AMPS	/4-111 BRN/BRN/BRN	/5-116 BRN/BRN/BLU	20-16 AWG	.053 - .103	-16-2 (GRN)
12	23 AMPS	/4-113 BRN/BRN/ORN	/5-118 BRN/BRN/GRY	14-12 AWG	.097 - .158	-12-2 (ORN)

Other information for MIL-DTL-26482 is provided on page 17.



The proper stripping length of the conductor is the length of wire in the contact wire barrel (properly seated, and seen through the wire inspection hole), plus 1/32" to 3/32" of exposed wire between the insulation and the wire barrel. This exposed wire insures that the assembler will not crimp on the insulation, and also adds a point of flexibility.

TOLERANCE XX $\pm$ .010 .XXX $\pm$ .005 ANGLES $\pm$ 1°	TITLE  ADDITIONAL CONTACT AND ASSEMBLY TOOLING INFORMATION	SHEET 1 OF 1	DWG. NO. M5015	REV -
		http://www.corsairelectricalconnectors.com (949) 833-0273		

# MIL-DTL-5015

## SERIES II



### PIN = M39029/44

Crimp Barrel				
Contact Size	Wire Size	Wire Range AWG	AS39029 MIL-STD P/N	DESCRIPTION
16	22	22, 24 & 26	M39029/44-287	CONT, PIN, Sz16-22, RED/GRY/VIO
16	16	16, 18 & 20	M39029/44-288	CONT, PIN, Sz16-16, RED/GRY/GRY
12	16	16, 18 & 20	M39029/44-289	CONT, PIN, Sz12-16, RED/GRY/WHT
12	12	12 & 14	M39029/44-290	CONT, PIN, Sz12-12, RED/WHT/BLK
8	8	8, 10 1/	M39029/44-291	CONTACT, PIN, Sz 8, RED/WHT/BRN
4	4	4 & 6 1/	M39029/44-292	CONTACT, PIN, Sz 4, RED/WHT/RED
0	0	0 & 2 1/	M39029/44-293	CONTACT, PIN, Sz 0, RED/WHT/ORN

### SOCKET = M39029/45

Crimp Barrel				
Contact Size	Wire Size	Wire Range AWG	AS39029 MIL-STD P/N	DESCRIPTION
16	22	22, 24 & 26	M39029/45-294	CONT, SKT, Sz16-22, RED/WHT/YEL
16	16	16, 18 & 20	M39029/45-295	CONT, SKT, Sz16-16, RED/WHT/GRN
12	16	16, 18 & 20	M39029/45-296	CONT, SKT, Sz12-16, RED/WHT/BLU
12	12	12 & 14	M39029/45-297	CONT, SKT, Sz12-12, RED/WHT/VIO
8	8	8, 10 1/	M39029/45-298	CONTACT, SKT, Sz 8, RED/WHT/GRY
4	4	4 & 6 1/	M39029/45-299	CONTACT, SKT, Sz 4, RED/WHT/WHT
0	0	0 & 2 1/	M39029/45-300	CONTACT, SKT, Sz 0, ORN/BLK/BLK

Note: 1/ Requires use of a (AS39029/112) MS3348 Conductive Bushing prior to Crimping

### SEALING PLUGS MS27488

Contact Size	MIL-STD P/N	DESCRIPTION
16	MS27488-16-3	SEAL PLUG, Sz16 AWG, BLUE
12	MS27488-12-3	SEAL PLUG, Sz12 AWG, YELLOW
8	MS27488-8-3	SEAL PLUG, Sz 8 AWG, RED
4	MS27488-4-3	SEAL PLUG, Sz 4 AWG, BLUE
0	MS27488-0-3	SEAL PLUG, Sz 0 AWG, YELLOW

### TOOLS

Contact Size	MS INSERTION	MS EXTRACTION	MS CRIMP	
	TOOL P/N	TOOL P/N	TOOL P/N	POSITIONER P/N
16	M81969/17-01	M81969/19-01	M22520/1-01	M22520/1-02 BLU
12	M81969/17-02	M81969/19-02	M22520/1-01	M22520/1-02 YEL
8 2/	M81969/17-06	M81969/19-03	M22520/23-02	M22520/23-09
4 2/	M81969/17-07	M81969/19-04	M22520/23-04	M22520/23-11
0 2/	M81969/17-08	M81969/19-05	M22520/23-05	M22520/23-13

Note: 2/ Requires use of a M22520/23/01 Power Crimp Tool for Contact Sizes #8, #4 & #0

TOLERANCE  
XX ± .010  
.XXX ± .005  
ANGLES ± 1°

TITLE  
MIL-DTL-5015 SERIES II,  
CONTACT AND ASSEMBLY TOOLING INFORMATION

SHEET  
1 OF 1

DWG. NO.  
M5015

REV  
-

<http://www.corsairelectricalconnectors.com> (949) 833-0273

# MIL-DTL-38999

SERIES I, II & III



**ADDITIONAL CONTACT INFORMATION  
FOR MIL-DTL-38999 CONNECTORS**

Contact Size	P/S	Wire Range AWG	AS39029/ MIL-SPEC P/N
Series I & III Size 22D	PIN	22-28	AS39029/58-360
	SOCKET		AS39029/56-348
Series I & III Size 20	PIN	20-24	AS39029/58-363
	SOCKET		AS39029/56-351
Series I & III Size 16	PIN	16-20	AS39029/58-364
	SOCKET		AS39029/56-352
Series I & III Size 12	PIN	12-14	AS39029/58-365
	SOCKET		AS39029/56-353
Series I & III Size 10	PIN	10-12	AS39029/58-528
	SOCKET		AS39029/56-527
Series I & III Size 8 (COAX)	PIN	10-8	AS39029/60-367
	SOCKET		AS39029/59-366
Series II Size 22D	PIN	22-28	AS39029/58-360
	SOCKET		AS39029/56-354
Series II Size 20	PIN	20-24	AS39029/58-363
	SOCKET		AS39029/56-357
Series II Size 16	PIN	16-20	AS39029/58-364
	SOCKET		AS39029/56-354
Series II Size 12	PIN	12-14	AS39029/58-365
	SOCKET		AS39029/56-359

TOLERANCE  
XX ± .010  
.XXX ± .005  
ANGLES ± 1°

TITLE  
ADDITIONAL CONTACT AND ASSEMBLY TOOLING  
INFORMATION, MIL-DTL-38999

SHEET  
1 OF 2

DWG. NO.  
MIL-DTL-38999

REV

-

<http://www.corsairelectricalconnectors.com> (949) 833-0273



# MIL-DTL-38999

SERIES I, II & III



### CRIMP TOOLS AND INSERTION/REMOVAL TOOLS

Contact Size	Plastic Tools Insert/Removal	M22520/ Crimp Tool	M22520/ Positioner
22D I & III	M81969/14-01 GREEN/WHITE	2-01	2-07
22D II	M81969/14-01 GREEN/WHITE	2-01	2-06
20	M81969/14-10 RED/ORANGE	1-01 2-0	1-07 2-10
16	M81969/14-03 BLUE/WHITE	1-01	1-04
12	M81969/14-04 YELLOW/WHITE	1-01	1-04
10	M81969/14-05 GRAY/WHITE	DMC 1716P-1	N/A
* 8	M81969/14-12 NA/GREEN	23-04	1-04 2-10

\*PNEUMATIC CRIMPING MACHINE REQUIRED

### SEALING PLUGS MS27488

Contact Size	MIL STD P/N	Color key
22D	MS27488-22-2	BLACK
20	MS27488-20-2	RED
16	MS27488-16-2	BLUE
12	MS27488-12-2	YELLOW
10	M85049/81-10	GREEN
8	MS27488-8-2	RED

TOLERANCE  
XX ± .010  
.XXX ± .005  
ANGLES ± 1°

TITLE  
ADDITIONAL CONTACT AND ASSEMBLY TOOLING  
INFORMATION, MIL-DTL-38999

SHEET  
2 OF 2

DWG. NO.  
MIL-DTL-38999

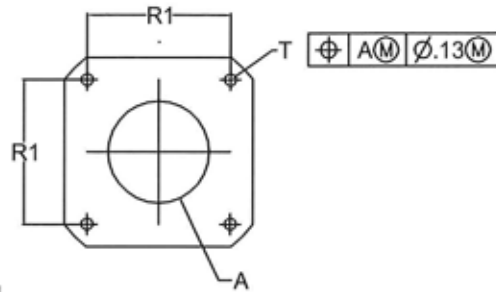
REV

-

<http://www.corsairelectricalconnectors.com> (949) 833-0273

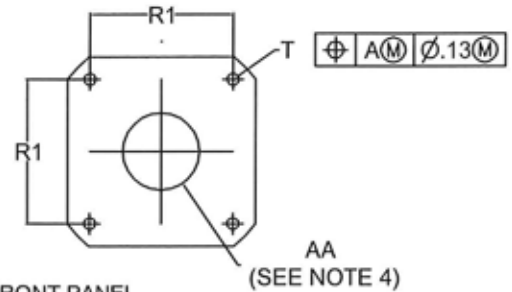
# MIL-DTL-38999

SERIES I, II & III



BACK PANEL MOUNTING SERIES I, III, AND IV

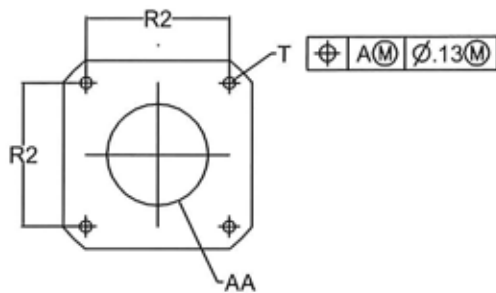
TYPE A



FRONT PANEL MOUNTING SERIES I, III, AND IV

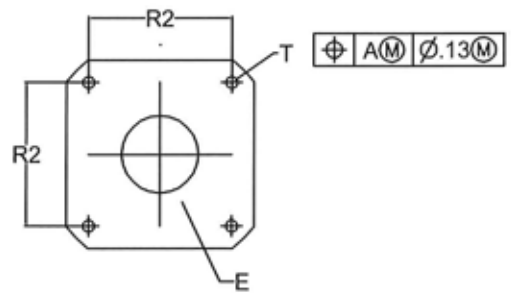
AA  
(SEE NOTE 4)

TYPE B



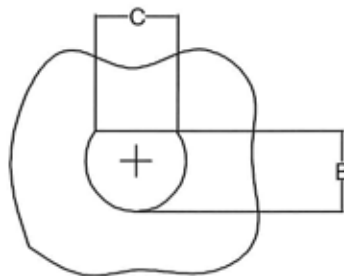
FRONT PANEL MOUNTING SERIES II AND III

TYPE C



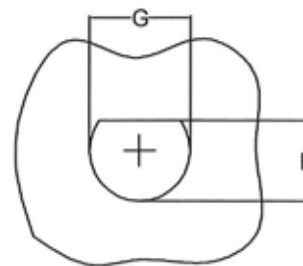
BACK PANEL MOUNTING SERIES III

TYPE D



JAM NUT MOUNTING SERIES I AND III CRIMP AND HERMETIC, AND SERIES IV HERMETIC

TYPE E



JAM NUT MOUNTING SERIES II CRIMP AND HERMETIC, AND SERIES IV CRIMP

TYPE F

TOLERANCE

XX ± .010  
.XXX ± .005  
ANGLES ± 1°

TITLE

RECOMMENDED PANEL DIMENSIONS, THREAD DETAILS,  
SERIES I, II AND III, MIL-DTL-38999

SHEET

1 OF 2

DWG. NO.

D38999

REV

-

<http://www.corsairelectricalconnectors.com> (949) 833-0273

# MIL-DTL-38999

SERIES I, II & III



SHELL SIZE	A DIA MIN	AA DIA MIN	B +.00 -.25 (SEE NOTE 2)	C +.25 -.00	E DIA MIN	F +.00 -.25	G +.25 -.00	R1	R2	T DIA ±.13
8-9	.656 (16.66)	.516 (13.11)	.657 (16.70)	.693 (17.6)	.557 (14.15)	.830 (21.08)	.885 (22.48)	.719 (18.26)	.594 (15.09)	.128 (3.25)
10-11	.796 (20.22)	.625 (15.88)	.771 (19.59)	.825 (20.96)	.682 (17.32)	.955 (24.26)	1.010 (25.65)	.812 (20.62)	.719 (18.26)	.128 (3.25)
12-13	.922 (23.42)	.750 (19.05)	.955 (24.26)	1.010 (25.65)	.854 (21.69)	1.085 (27.56)	1.135 (28.83)	.906 (23.01)	.812 (20.62)	.128 (3.25)
14-15	1.047 (26.59)	.906 (23.01)	1.085 (27.56)	1.135 (28.83)	.979 (24.87)	1.210 (30.73)	1.260 (32.01)	.969 (24.61)	.906 (23.01)	.128 (3.25)
16-17	1.219 (30.96)	1.016 (25.81)	1.210 (30.73)	32.01 (1.260)	1.104 (28.04)	1.335 (33.91)	1.385 (35.18)	1.062 (26.97)	.969 (24.61)	.128 (3.25)
18-19	1.297 (32.94)	1.141 (28.98)	1.335 (33.91)	1.385 (35.18)	1.229 (31.22)	1.460 (37.08)	1.510 (38.35)	1.156 (29.36)	1.062 (26.97)	.128 (3.25)
20-21	1.422 (36.12)	1.266 (32.16)	1.460 (37.08)	1.510 (38.35)	1.354 (34.39)	1.585 (40.26)	1.635 (41.53)	1.250 (31.75)	1.156 (29.36)	.128 (3.25)
22-23	1.547 (39.29)	1.375 (34.93)	1.585 (40.26)	1.635 (41.53)	1.476 (37.57)	1.709 (43.42)	1.760 (44.70)	1.375 (34.93)	1.250 (31.75)	.154 (3.91)
24-25	1.672 (42.47)	1.484 (37.69)	1.710 (43.43)	1.760 (44.70)	1.604 (40.74)	1.835 (46.61)	1.885 (47.88)	1.500 (38.10)	1.375 (34.93)	.150 (3.81)

**NOTES**

1. DIMENSIONS ARE IN INCHES. MILLIMETER ARE IN PARENTHESES AND GIVEN FOR INFORMATION ONLY.
2. "AA" MINIMUM IS RECOMMENDED CLEARANCE FOR CONNECTORS LESS ACCESSORIES AND HAVING SKIRT DIAMETERS NO LARGER THAN METRIC THREAD ILLUSTRATED ON SERIES III AND IV CONNECTOR ACCESSORY INTERFACE DIMENSIONS.
3. FOR DIMENSION B, SHELL SIZE ONLY, TOLERANCE IS +.004 / - .004 INCHES (+.10 / -.10 MM)

TOLERANCE XX ± .010 .XXX ± .005 ANGLES ± 1°	TITLE RECOMMENDED PANEL DIMENSIONS, THREAD DETAILS, SERIES I, II AND III, MIL-DTL-38999	SHEET	DWG. NO.	REV
		2 OF 2	D38999	-
<a href="http://www.corsairelectricalconnectors.com">http://www.corsairelectricalconnectors.com</a> (949) 833-0273				

# MANUFACTURING PROCESS FINISHES



## MIL-DTL-5015, MIL-DTL-26482 & AS81790

### APPLICABLE MANUFACTURING PROCESS FINISHES

- CLASS W** **Cadmium (Olive Drab) over Nickel Plate**, used for 500 hour salt spray requirements. Cadmium plate per QQ-P416 Type II, Class 2. Color: Olive Drab (Electrically conductive) over Electroless Nickel per MIL-C-26074, Class 4, Grade B. (Total thickness to be .0010" minimum. Bake after nickel plate 1 hour @ 375 +/- 10 degrees F. Bake after cadmium plate and chromed treatment for 1 hour @ 375 +/- 10 degrees F.
- CLASS L** **Nickel Plate (Electroless)** Electroless Nickel per MIL-C-20674, Class 3 or 4, Grade B. Total thickness to be .0010" minimum.
- CLASS A** **Hard Black Anodize (Aluminum parts only)** Anodize (non-conductive) per MIL-A-2685, Type III, Class 2, .0004" minimum for military, and .0010" for industrial.
- CLASS G/KS/LS** **Passivate (Stainless Steel parts only)** Passivate per QQ-P-35
- CLASS N** **Electrodeposited Nickel Finish (Stainless Steel parts only)**  
Electrodeposited nickel per QQ-N-290
- CLASS KT** **Cadmium (Olive Drab)** per QQ-P-416, Type II, Class 2.
- SHIELDS** **Chemically Surface Treated (Green)** per MIL-C-5541, Class 2, over Epoxy Primer Coat per MIL-P-85582

TOLERANCE XX ± .010 .XXX ± .005 ANGLES ± 1°	TITLE  MANUFACTURING PROCESS FINISHES	SHEET	DWG. NO.	REV
		1 OF 1	M50 15/M26482/AS81790	-
<a href="http://www.corsairelectricalconnectors.com">http://www.corsairelectricalconnectors.com</a> (949) 833-0273				

# MANUFACTURING PROCESS FINISHES



## **MIL-DTL-38999 Series I and II**

- FINISH A** Silver to Light Iridescent yellow color Cadmium Plate over Nickel (conductive)
- FINISH B** Olive-drab cadmium plate over a suitable underplate (conductive) -65°C to +175°C
- FINISH C** Anodic (nonconductive) -65°C to +200°C
- FINISH F** Electroless nickel coating (conductive) -65°C to +200°C
- FINISH Z** Zinc nickel (conductive) -65°C to +175°C

## **MIL-DTL-38999 Series III**

- CLASS C** Anodic (nonconductive) -65°C to +200°C
- CLASS F** Electroless nickel coating (conductive) -65°C to +200°C
- CLASS K** Corrosion resistant steel, passivated (conductive) -65°C to +200°C
- CLASS L** Corrosion resistant steel, Electrodeposited nickel plating (conductive) -65°C to +200°C
- CLASS S** Corrosion resistant steel, Electrodeposited nickel plating (conductive) -65°C to +200°C
- CLASS T** Nickel flouorocarbon polymer over a suitable underplate (conductive) -65°C to +175°C
- CLASS W** Olive-drab cadmium plate over a suitable underplate (conductive) -65°C to +175°C
- CLASS Z** Zinc Nickel over a suitable underplate (conductive) -65°C to +175°C

**Note:** 175°C is the maximum temperature rating of a shrink sleeve used with some size 8 twinax contacts. The temperature rating of a connector rated at 200°C maximum will be reduced to 175°C when it utilizes shrink sleeves with size 8 SAE-AS 39029/90, /91, /113, or /114 pin or socket contacts

TOLERANCE XX ± .010 .XXX ± .005 ANGLES ± 1°	TITLE  MANUFACTURING PROCESS FINISHES	SHEET	DWG. NO.	REV
		1 OF 1	MIL-DTL-38999	-
<a href="http://www.corsairelectricalconnectors.com">http://www.corsairelectricalconnectors.com</a> (949) 833-0273				





# CORSAIR



## ELECTRICAL CONNECTORS



**CORSAIR ELECTRICAL CONNECTORS**  
17100 Murphy Ave. | Irvine, California 92614  
Phone: 949-833-0273 | Fax: 949-833-0280 | Web: [www.corsairelectricalconnectors.com](http://www.corsairelectricalconnectors.com)