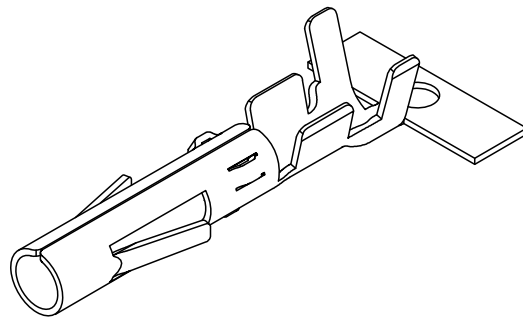
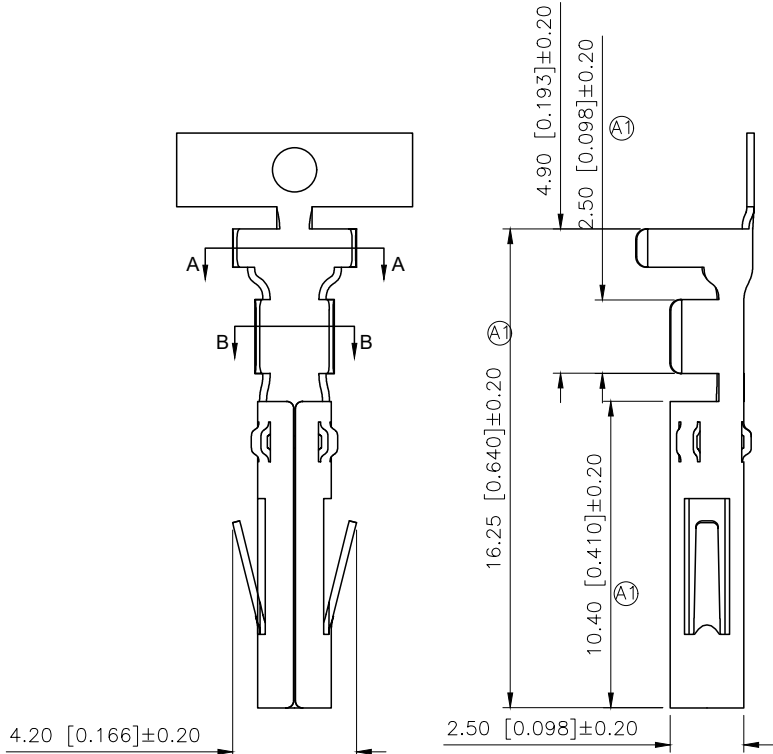


REVISIONS					
REV.	ECN NO.	LOCATION	DESCRIPTION	DATE	DESIGN
A0	N/A		INITIAL RELEASE	/	/
A1	N/A	(A) X07	图面升级整理图面	2025.06.20	阿树

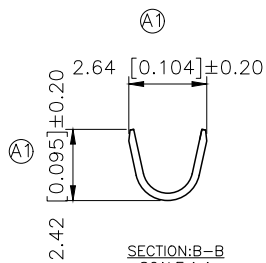
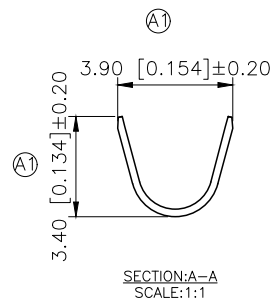
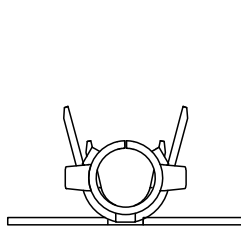


- SPECIFICATIONS
- Voltage rating: 250V AC/DC
 - Current rating: 7A AC/DC
 - Withstanding Voltage: 1500V AC/minute
 - Temperature range: -40°C ~ +125°C
 - Insulation resistance: ≥ 1000MΩ
 - Contact resistance: ≤ 20mΩ
 - Material: Phosphoric bronze Tin-plated
 - Applicable Wire Sizes: AWG#18~24#

PART NO.:

X5050 I F-B SN B-A
① ② ③ ④ ⑤ ⑥ ⑦

- ① Series Number.
- ② Category: T-terminal
- ③ Category F-Female Terminal
- ④ Material: B-Brass
- ⑤ Plating Category: SN-Bright Tin Plating
- ⑥ Blank-stamping before plating
B-plating before stamping
- ⑦ A-total length 16.00mm



AuGLAR	±5°
X.	±0.40
X.x	±0.30
X.xx	±0.20
X.xxx	±0.15
UNSPECIFIED TOLERANCES	



DESIGN	阿树	VIEW:	MODEL TYPE: 5.08mm Crimp Style Connectors
CHECKED		UNIT: mm/in	PART NO.: X5050TF-BSNB
APPROVED		SIZE: A4	DWG NO.: