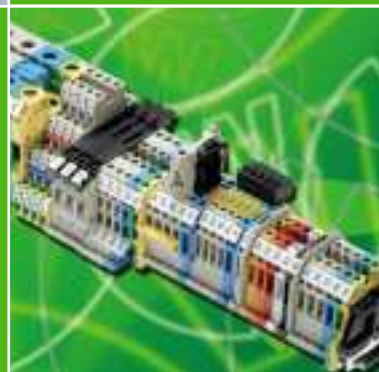




selos

**DIN Rail Terminal Blocks
with Screw Connection**

**Professional
Screw Technology**





▲ Sales and Marketing Center in Bamberg



▲ Photo of the Bamberg headquarters



▲ STOCKO headquarters in Wuppertal

wieland group

ACTIVE WORLDWIDE

With its staff of almost 2,200 employees, the Wieland Group is at home on all continents.

Subsidiaries in Great Britain, France, Spain, Italy, Poland, Canada, the USA, China and Denmark speak for themselves. With a great number of representatives, Wieland Holding is active in almost all strategically important countries. Just a medium-size global player with a clear commitment to the German location where most of the products are still manufactured.



-  **automation**
-  **building**
-  **electronics**

One company group, a thousand opportunities

The philosophy of the Wieland Group with its headquarters in Bamberg can be summarized that simply. The independent subsidiaries, Wieland Electric and STOCKO Contact, are active beneath Wieland Holding.

Together they cover an extraordinarily wide product portfolio in the field of electrical engineering and electronics. It comprises control cabinet engineering, industrial multipole connectors as well as overvoltage technology and building system technology.

Wieland Electric is active in most areas of automation technology and delivers as the industry's driver for innovation. Safety first – Wieland Electric is ideally positioned with its modular system solutions such as



Series 4000, samos[®], samos[®]PRO and the new **sensor^{PRO}** safety sensors.

podis[®], the solution-oriented system for remote power distribution, and **ricos^{TP}**, the latest development in the field of automation systems for heavy duty industrial requirements, are only two examples.

In the building installation system sector, Wieland Electric, with its **gesis[®]** system, is the world market leader in pluggable electrical installation. With good reason do planners and architects of the tallest and most interesting construction projects worldwide, such as the Petronas Towers in Kuala Lumpur, rely on **gesis[®]** components from Wieland. Wieland is the pioneer on a path toward the intelligent home by consistently developing its

gesis[®] product range, especially with regards to the demands of electronic networking.

Wieland Electric was founded in 1910 in Bamberg. With 800 staff members it is the largest subsidiary within the company group of Wieland Holding. With its numerous innovations, Wieland Electric has become a major supplier of electrical connection technology. Export share is currently at 58 %.




















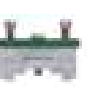

























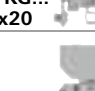
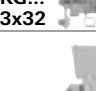






STOCKO Contact is located in North Rhine-Westphalia's Wuppertal and has been a member of the Wieland Group since 2001. The company can look back at a history of more than 100 years. STOCKO Contact is one of the biggest European manufacturers of connector systems and crimp contacts.


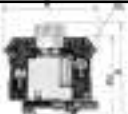















































100 years young and full of innovative energy ...

this is the foundation of our company philosophy. From this statement Wieland Electric will not just maintain, but expand its social responsibility into the future. Eco-friendly high-tech products, manufactured according to state-of-the-art production standards, an audited environmental management system and extensive investments in our facilities with cutting-edge environmental technologies are a matter of fact. A company policy that also commits us to the long term responsibility for the future of our families and children, as well as for the city of Bamberg, in addition to innovative system solutions for our customers. In our opinion, worldwide action and regional responsibility are united.

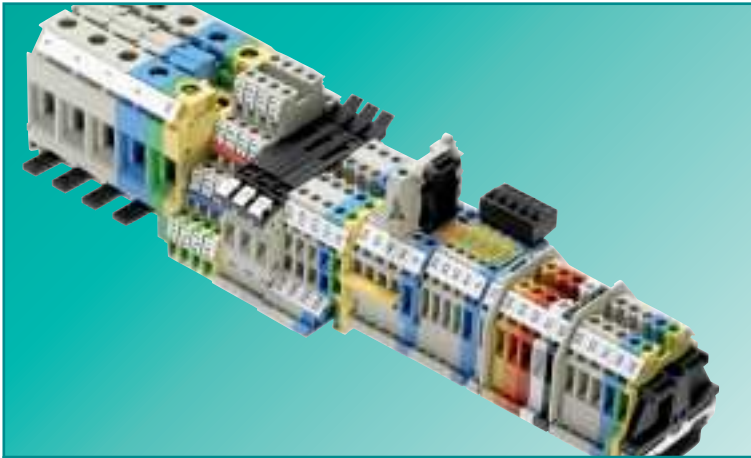


DIN rail terminal blocks with screw connection

Page 14/15	 WK 2,5/U	 WK 4/U	 WK 6/U	 WKN 10/U	 WKN 16/U
Page 16/17	 WKN 35/U	 WKN 70/U	 WKN 150/U		
Page 18/19	 WKN 4 ETK/U	 WKN 10 ETK/U	 WKN 16 ETK/U	 WAK 16/2 BLAU, WAK 35/2 BLAU, WAK 35/2	
Page 20/21	 WK 2,5 SL/35	 WK 4 SL/U	 WK 6 SL/U	 WKN 10 SL/U	 WKN 16 SL/U
Page 22/23	 WKN 35 SL/U	 WKN 70 SL/U	 9700 A/35 E S 35	 9700 A/70 E S 35	 Supply set
Page 24/25	 WK 4/D/1/2/U	 WK 4/D/2/2/U	 WK 4/D E/U	 WK 4/D/2/2SL/U	
Page 26/27	 WK 4 E/U	 WK 4 E/U/VB	 WK 4 E SL/U	 WK 4 E/U	 WK 4 E/rot
Page 28/29	 WKN 2,5 E/U	 WKN 2,5 E/U/VB			
Page 30/31	 WK 2,5-4 KI/U	 WK 2,5-3 D/U	 WK 2,5-4 KI/SL	 WK 2,5-3 D/SL	
Page 32/33	 WK 2,5-4 KOI/U	 WK 2,5-4 KOI/U-NGN	 WK 2,5-4 KOI/U-PGN		
Page 34/35	 WK 4 TKG... THSI 5x20	 WK 4 TKG... THSI 6,3x32	 WK 4/TKM	 WK 4 TKG-TRST/U	 WK 4 TKS D/U
Page 36/37	 WK 4 TKG... SIST	 WK 4 TKG... DIST	 WK 4/Si-D/U 5 x 25		
Page 38/39	 WK 4 THSI 5.../U	 WK 4 THSI 6,3.../U	 WK 10/SI.../U	 WK 10/SI/U with indicator	 WK 10/SI/U D

Page 40/41	 9700 B/30 Si E 14/S 35	 9700 B/30 Si E 18/S 35			
Page 42/43	 9786 U/...	 9785 U/... - SPT	 9786 U/TSK...	 9760 U/8 TKE...	
Page 44/45	 WK 2,5 U/D/8113 S/V	 WK 2,5 U/8113 S/V	 WK 2,5 U/D/8113 S/H	 Typ 8113 B/..., 8313 B/...	 Typ 8113 B/... VR
Page 46/47	 WK 4 3-6 S 1 K/U	 WK 4 5 S 2,8 1 K/U	 WK 4-3-6 S 1 K/IW/U	 WK 4-5 S 2,8 1 K/IW/U	 WK/5-10 S/U
Page 48/49	 WK/3-6 S/IW/U	 WK/3-6 S/U	 WK/4-8 S/IW/U	 WK/4-8 S/U	 WK/3-6 S KO/U
Page 50/51			 WKN 6 TK	 WKN 6 TK SF	
Page 52/53			 WK6 TK/35	 WK6 TK P3/35	
Page 54/55	 WKN 6 SF	 WKN 10 SF	 WRT 6	 WRT 6 TK	
Page 56/57			 BK M .../35		
Page 58/59	 RFK 1/95... S35	 RFK 1/150... S35	 RFK 1/185... S35	 RFK 1/240... S35	
Page 60/61	 WKM 2,5/15	 WKM 4/15	 WKM 4 SL/15	 WKM 2,5 F1/15	 WKM 2,5 F2/15
Page 62-69	 Cross connectors	 Cover strips with warning symbol	 Test plug/Short-circuit plug	 Screw driver	 TS 35 x 15
Page 70-79	 End clamp for TS 35	 Configuration software	 Plotter system wieplot 500	 Marking material	 Pressing tool

DIN rail terminal blocks with screw connection



Wieland Electric offers you selos WKN – a complete assortment of DIN rail terminal blocks with screw connection technology.

The portfolio includes feed through and ground blocks with 2, 3 or 4-wire connection points, multi-tier blocks in two and three-tier design, knife edge disconnect blocks and fuse blocks. In addition, function blocks are available with a wide variety of diode circuits as well as diverse, special application – specific blocks (e.g., measuring converter disconnect blocks or compensating terminals).

selos is designed for use in mechanical and plant engineering as well as in explosion-protected areas.

Technical data as per EN 60947-7:

Rated cross section:	2.5mm ² -240mm ²
Rated current:	Up to 415A
Rated voltage:	800/500V



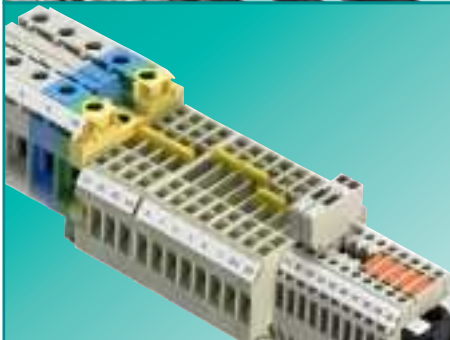
Classical connection

- Globally recognized, proven and self-explanatory connection technology
- Space-saving, compact design with side wire entry
- Reliable and maintenance-friendly electrical connection
- with maximum contact strength



Universal use

- Flexible connection of different wire sizes via large connection capability of the clamping points
- Simple expansion or potential distribution via multi-wire connection
- Connection of fine-wire conductors with ferrules up to the rated cross section
- Low feed-through resistance due to large contact surface and good contact strength



Many uses

- DIN rail terminal block solutions for all conventional circuiting jobs and functions
- Special blocks for branch-specific applications
- Extensive accessories for function expansion
- Global, national and branch-specific approvals for use around the world



Clear marking

- Clearly legible marking tags even after wires are connected
- Unmistakable wire-termination point assignment during wiring
- Simplified trouble-shooting in case of maintenance
- Individual marking with the **wiemarc** marking system



Screw connection technology

Rising cage connection with elastic clamping body

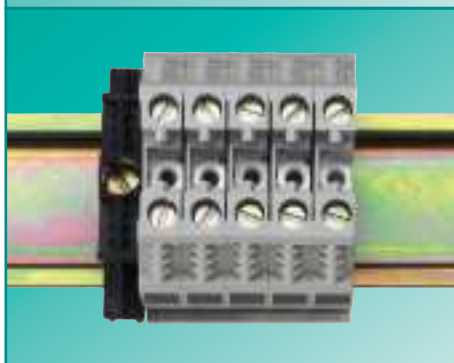
- Maximum possible stable contact strength regardless of cross section
- Functional dependability – no damage to the screw's threading even after screws are tightened and loosened several times
- Gas-proof electrical connection in accordance with approvals.



Universal foot

Universal usability on conventional types of mounting rails

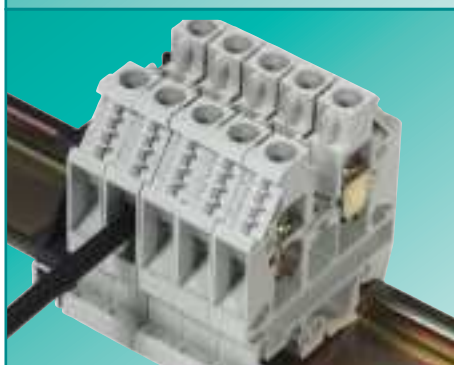
- Assembly foot for TS 35 and TS 32 as per DIN 60715
- Seat centered to mounting rail
- Functional and mounting dependability due to asymmetrical design of the clamping foot. Incorrectly mounted blocks are detected immediately.



Guide ducts

Enclosed guide ducts for screwdrivers

- When power screwdrivers are used, the screwdriver duct prevents the blade from slipping off.
- When clamping screws are completely screwed out, the integrated screw brake ensures that they are not lost even during over head work.



Wire entry guide

Correct and quick wiring

- User-friendliness and speed provided by the wire guide during connection
- Multi-stranded and fine-stranded wires can also be easily inserted in the terminal without ferrules.
- The connection space is open on delivery.

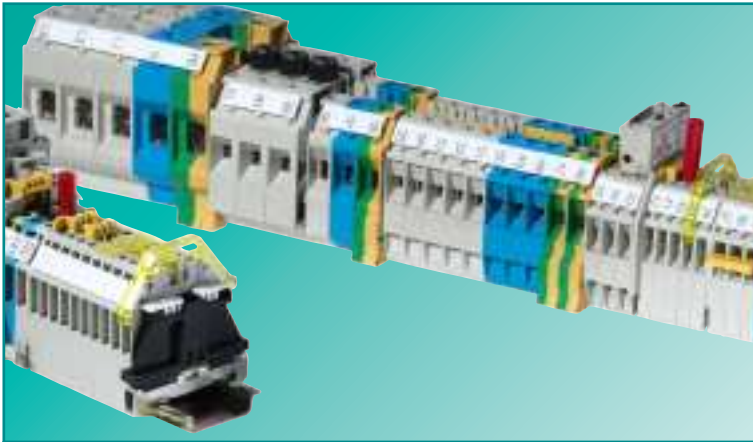


Materials

Selection of high-quality materials

- Special alloys offer low feed through resistance and ensure a gas-proof contact area:
 - Current rail: copper or brass
 - Clamping bodies and clamping screws: Zinc-plated and chromated steel
- Polyamide has excellent electrical, chemical and mechanical properties:
 - Temperature resistant: Up to 120°C
 - Creepage resistance: CTI 600
 - Flammability class: UL94-V0, self-extinguishing

DIN rail terminal blocks with screw connection



Marking system



Cross connectors



Jumper combs



End plate/partition

Accessories for selos

We offer an extensive assortment of a wide variety of accessories to go with our **selos** screw terminal block program so that you can individually adjust Wieland DIN rail blocks to your applications.

This includes, among others, the reliable Wieland standard marking system as it is also used by our other product lines, and a complete program of cross connectors as cross connectors or combs in insulated or uninsulated design.

Various test accessories are also a standard part of the Wieland program as are connection plates, partitions, and special extra covers with warning symbol.

All blocks clearly marked

- Large selection of marking tags with the spacing of the block
- Clearly legible marking tags even after wires are connected
- Individual marking with the **wiemarc** and **wieplot** marking systems

Jumpering all blocks with load-carrying capacity

- High current-carrying ability with nominal current of the rated cross section
- Available from 2 to 12-pin. Larger numbers of pins via ready made goods.
- End plates, partitions or partition plates must be used for cross connectors so that the rated voltage is maintained.
- Displaced assembly is required for blocks with different potentials.

Additional jumpering option

- Jumper combs are introduced with the wire into the connection space.
- Jump combs are available in touch-proof design in accordance with BGV A2.
- When jumper combs are used, the connection cross section is reduced by one stage.
- Available from 2 to 12-pins. Larger numbers of pins via ready made goods.

Insulation of potentials

- Optical separation of individual block groups
- Adherence to air and creepage distances for cross connectors mounted next to each other
- For safety reasons partitions are constructed so that they can only be removed when the adjacent DIN rail block is also removed.



Covers

Marking potentials under voltage

- Safety due to reference to network voltage
- For snapping onto blocks which are still under voltage even though the main switch was switched off.
- Marking of the network power input
- Available as single cover or as strip



Test sockets and plugs

Checking the potentials

- Test sockets are mounted in the middle threading of the DIN rail block.
- Test plugs in 2, 3 or 4 mm design
- Short circuit plugs



Modular test adapters

Testing and commissioning terminal block assemblies

- Test with full wiring on fabricated DIN rail blocks
- Function test with modular test adapter by direct pickup from the current rail of the block
- Test adapters with locking lever can be snapped in with any number of pins.



Connection link

Connecting potentials so that they can be separated

- Easy-to-separate 2-pin cross connection
- Mounting in the middle threading of the DIN rail block



Partition plates

Insulating potentials

- To maintain the full rated voltage when cross connectors are used
- Later snap-in possible
- Marking option with the Wieland standard marking system

Configuration software for DIN rail terminal blocks, *wieplan*



wieplan was developed to provide you with a powerful software tool for the configuration of terminal block assemblies using Wieland DIN rail terminal blocks.

wieplan is available in 4 languages. It is user-friendly and its intuitive user interface guides you step by step through the entire configuration process. After completion you can optionally order your configured terminal block assembly from Wieland for complete pre-assembly.

Thus **wieplan** helps you to save time and money.



Managing projects

Benefits:

- To begin each configuration you automatically start from the basic project management menu.
- You create new projects and are reliably guided through the easy and practice-oriented program logics.
- You always have the choice of either opening an already existing project or of creating a new one.



Configuring terminal block assemblies without errors

Benefits:

- You work with high-quality graphs viewing the terminal blocks from the top; the accessories added are visible at any time.
- You continually use the plausibility check that reminds you of the accessories required such as end plates.
- You are provided with a product catalog with search function; you can add your own order numbers, if required; and you can create libraries for self-defined products.



Entering order data

Benefits:

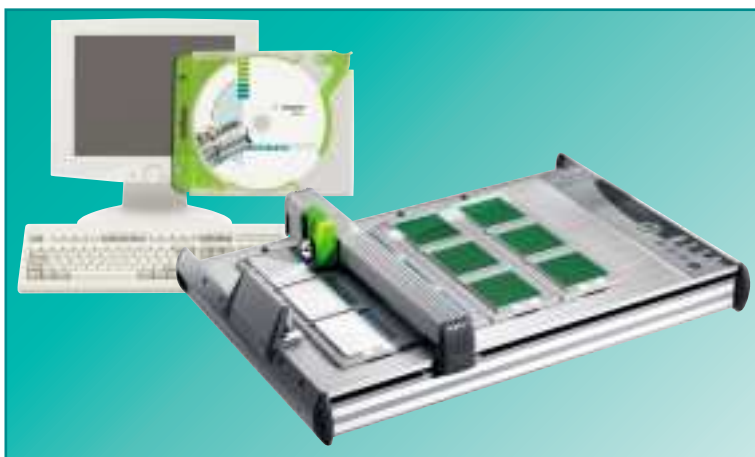
- You enter your data such as invoice and delivery address in the order data screen only once and can use this information for any follow-up orders.
- You may order by e-mail; in this case the terminal block assembly data are zipped automatically.



Terminal block assembly output

Benefits:

- You print out the order, the parts list and the drawing data, and, if required, your own order numbers.
- You create a DXF file and export the current terminal block assembly to a CAD program.
- You export the marking in CSV format including all marking data for further processing in **wiemarc**, for example.
- A bidirectional interface is available to your CAE system EPLAN.



Individual marking of DIN rail terminal blocks. That is called **wiemarc** and **wieplot** at Wieland Electric. The **wieplot** software was developed to provide you with maximum flexibility in marking your terminal block assemblies. Together with **wieplot** you have a powerful marking system that enables you to work professionally from the individual marking tag to series marking of your terminal block assemblies. You feel confident with the system due to its easy handling and visual representation of your marking, even when you use it for the first time.

But **wieplot** offers even more!

In addition to the marking tags for DIN rail terminal blocks you can also print self-adhesive tags and labels or cable markings. A slight modification can even make your plotter a powerful engraving system.



selos – fasis

Marking with a system

- Individual marking of all terminal blocks for clear wire/ termination point assignment
- One single marking system for all designs
- Marking of individual tags; marking strips in the relevant terminal block spacing; or group markings
- Individual planning of terminal block assemblies and markings with **wieplan**



wieplot

Ready for universal use

- Marks all conventional marking systems available for DIN rail terminal blocks
- Different marking tags can be marked individually in one single work step
- Marking of labels, adhesive tags and cables is possible



wiemarc

Easy and quick

- Simple and intuitive user interface
- Direct graphical display of the marking tags including plausibility check
- Customized layouts can be created individually
- Data import from CAD, Excel, text or **wieplan** files

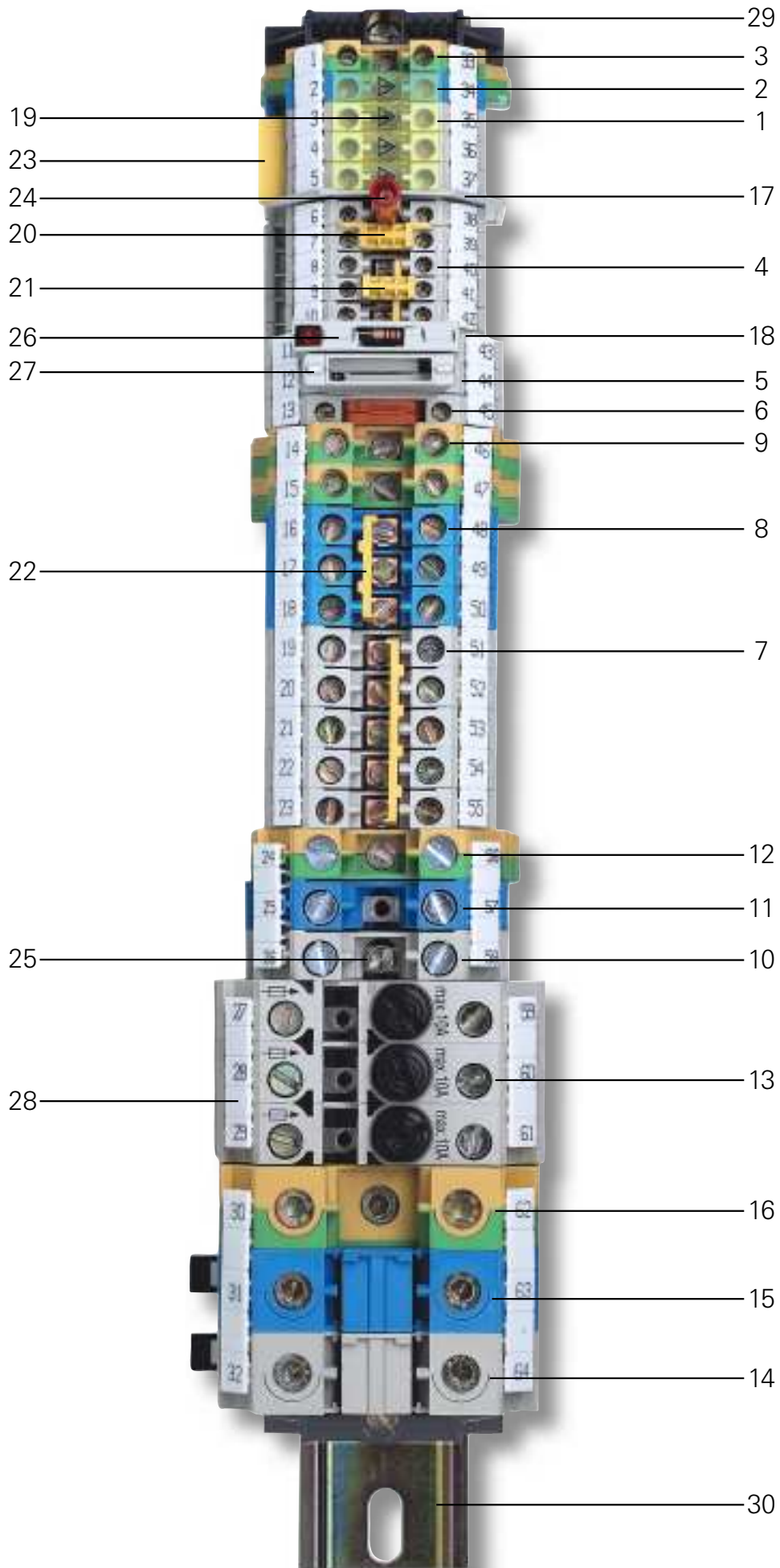


wieplot engraving system

Durable and safe

- Easy modification of **wieplot** to make it an engraving system
- Engraving of multi-layer plastic boards
- Clean and dust-proof operation due to integrated suctioning device
- Create individual layouts using **wiemarc**

DIN rail terminal blocks with screw connection



Pos.	Description	Type	Part number
1	Feed-through block	WK 4/U	57.504.0055.0
2	Feed-through block, blue	WK 4/U BLAU	57.504.0055.6
3	Ground block	WK 4 SL/U	57.504.9055.0
4	Feed-through block	WK 2,5/U	57.503.0055.0
5	Disconnect block	WK 4 TKG/U	57.504.4055.0
6	Knife edge disconnect block	WK 4 TKM/U	57.504.2055.0
7	Feed-through block	WK 6/U	57.506.0055.0
8	Feed-through block, blue	WK 6/U BLAU	57.506.0055.6
9	Ground block	WK 6 SL/U	57.506.9055.0
10	Feed-through block	WKN 10/U	57.510.0155.0
11	Feed-through block, blue	WKN 10/U BLAU	57.510.0155.6
12	Ground block	WKN 10 SL/U	57.510.9055.0
13	Fuse block	WK 10 SI/U 5x20	57.910.5055.0
14	Feed-through block	WKN 35/U	57.535.0155.0
15	Feed-through block, blue	WKN 35/U BLAU	57.535.0155.6
16	Ground block	WKN 35/U	57.535.9055.0
17	Partition	TW 2,5-4	07.311.1155.0
18	End plate	AP 2,5-4	07.311.0155.0
19	Cover strip with warning symbol over 4 blocks	AD VB 6/4 GELB	04.343.4856.8
20	Partition plate, yellow	TS 2,5 GELB	07.311.2053.8
21	Single cover for cross conn. with mark. facil.	AD VB 2,5 GELB	04.326.2053.8
22	Cross connector with screws, insulated	IVB WK 6-3	Z7.282.2327.0
23	Jumper comb, insulated	IVB 0,5 WK 4-3	Z7.255.0327.0
24	Test plug	ST 2/2,3	Z5.553.2921.0
25	Ring lug for test plug	9011B	05.508.3221.0
26	Fuse holder with indicator	SIST LED	Z1.299.4155.0
27	Diode plug, without contacts	DIST	Z1.299.3155.0
28	Marking strip	9705 A/8/10 B	04.842.0153.0
29	End clamp	9708/2 S35	Z5.522.8553.0
30	Mounting rail	35x27x7,5 gelocht	98.300.0000.0



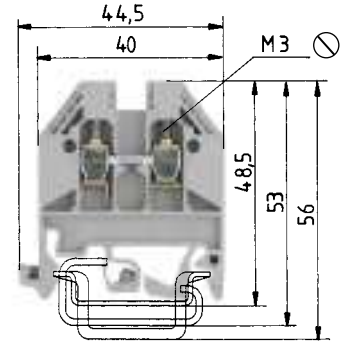
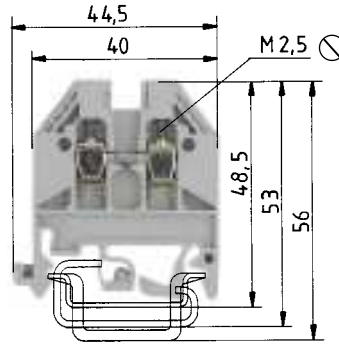
Feed-through blocks with screw connection

UL wire connection versions

⁴⁾ or 2x no. 14 sol/str AWG
or 2x no. 16 sol/str AWG
or 2x no. 18 sol/str AWG
or 3x no. 20 sol/str AWG or 3x no. 22 sol/str AWG

⁵⁾ or 2x no. 12 sol/str AWG
or 2x no. 16 sol/str AWG
or 3x no. 18 sol/str AWG or 3x no. 22 sol/str AWG

⁶⁾ or 2x no. 12 sol/str AWG
or 2x no. 14 sol/str AWG
or 3x no. 16 sol/str AWG



0344 II 2GD IM2
Ex e I/II
EN 60947-7-1
UL ratings
CSA ratings
KEMA 02 ATEX 2114 U¹⁾
Width
Approvals

Field/factory wiring

Wire strip length

WK 2,5/U

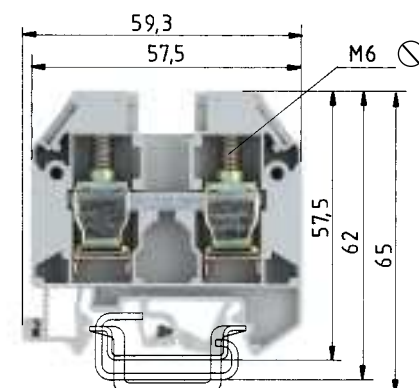
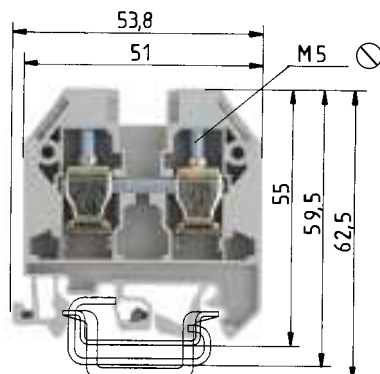
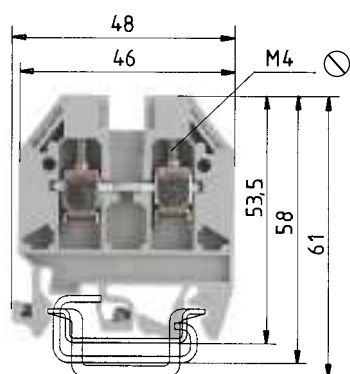
fine-stranded solid V A
0.5-2.5 mm² 0.5-4 mm² 800V/8kV/3
No. 22-12 AWG 600V 20/30
No. 24-12 AWG 600V 25
0.5-2.5 mm² 0.5-4 mm² 690V 23
5mm 9mm

WK 4/U

fine-stranded solid V A
0.5-4 mm² 0.5-6 mm² 800V/8kV/3 32
No. 22-10 AWG⁴⁾ 600V 30/35
No. 20-10 AWG 600V 40
0.5-4 mm² 0.5-6 mm² 690V 14/27³⁾
6mm 9mm

	Type	Part No.	Std. Pack	Type	Part No.	Std. Pack	
Feed-through block	gray	WK 2,5/U	57.503.0055.0	100	WK 4/U	57.504.0055.0	100
Feed-through block Ex i	blue	WK 2,5/U BLAU	57.503.0055.6	100	WK 4/U BLAU	57.504.0055.6	100
Accessories							
1. Mounting rail TS 35, DIN rail 7.5 mm high	L=2 m	35 x 27 x 7,5 EN 60715	98.300.0000.0	1	35 x 27 x 7,5 EN 60715	98.300.0000.0	1
Mounting rail TS 35, DIN rail, 15 mm high	L=2 m	35 x 27 x 15 EN 60715	98.370.0000.0	1	35 x 27 x 15 EN 60715	98.370.0000.0	1
Mounting rail TS 32, G rail ²⁾	L=2 m	9006 EN 60715 G-32	98.190.0000.0	1	9006 EN 60715 G-32	98.190.0000.0	1
2. End clamp with U-foot ²⁾	10 mm wide	WE 1/U	Z5.523.5753.0	100	WE 1/U	Z5.523.5753.0	100
End clamp TS 35, with screw	8 mm wide	9708/2 S35	Z5.522.8553.0	100	9708/2 S35	Z5.522.8553.0	100
End clamp TS 35, without screw	8 mm wide	WEF 1/35	Z5.523.9353.0	100	WEF 1/35	Z5.523.9353.0	100
3. End plate	gray	AP 2,5 - 4	07.311.0155.0	10	AP 2,5 - 4	07.311.0155.0	10
	blue	AP 2,5 - 4 BLAU	07.311.0155.6	10	AP 2,5 - 4 BLAU	07.311.0155.6	10
4. Partition	gray	TW 2,5 - 4	07.311.1155.0	10	TW 2,5 - 4	07.311.1155.0	10
5. Cross connector with screws	2 pole	IVB WK 2,5 - 2	Z7.280.2227.0	10	IVB WK 4 - 2	Z7.281.1227.0	10
insulated	3 pole	IVB WK 2,5 - 3	Z7.280.2327.0	10	IVB WK 4 - 3	Z7.281.1327.0	10
	up to 12 pole	IVB WK 2,5 - 12	Z7.280.3227.0	10	IVB WK 4 - 12	Z7.281.2227.0	10
6. Partition plate with marking facility		TS 2,5 GELB	07.311.2053.8	10	TS 4 GELB	07.311.2153.8	10
7. Single cover with marking facility		AD VB 2,5 GELB	04.326.2053.8	10	AD VB 4 GELB	04.326.2153.8	10
8. Cover with warning symbol over 4 blocks		AD VB 5/4 GELB	04.343.4756.8	10	AD VB 6/4 GELB	04.343.4856.8	10
For more accessories see pages 62-79							
For marking systems see pages 72-77							

^{*)} For maintaining the proper isolation distances, the open side of a feed-through terminal block as well as both sides of a jumper are to be enclosed by partitions.
¹⁾ Please note the mounting instructions. ²⁾ Do not use in Ex environments. ³⁾ With/without jumper



WK 6/U

fine-stranded	solid	V	A
0.5-6mm ²	0.5-10mm ²	1000V/8kV/3	41
No. 22-8 AWG ⁵⁾		600V	50/50
No. 20-8 AWG		600V	45
0.5-6mm ²	0.5-10mm ²	690V	35/38 ³⁾
8mm			11mm



WK 10/U

fine-stranded	solid/standed	V	A
2.5-10mm ²	1.5-16mm ²	1000V/8kV/3	57
No. 16-6 AWG ⁶⁾		600V	65/65
No. 16-6 AWG		600V	70
2.5-10mm ²	1.5-16mm ²	690V	43/56 ³⁾
10mm			13mm



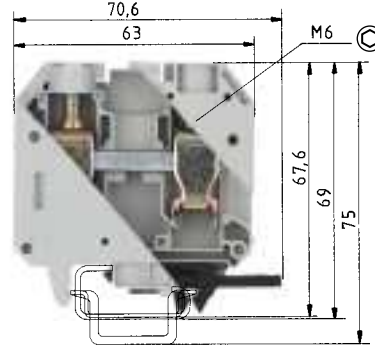
WK 16/U

fine-stranded	solid/stranded	V	A
4-16mm ²	1.5- 25mm ²	1000V/8kV/3	76
No. 12-4 AWG		600V	85/90
No. 14-4 AWG		600V	95
4-16mm ²	1.5-25mm ²	690V*	61/71 ³⁾
12mm			15mm

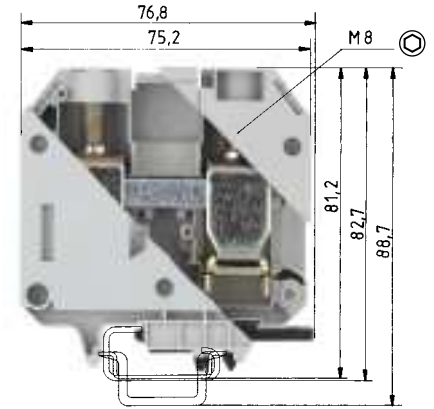


Type	Part No.	Std. Pack	Type	Part No.	Std. Pack	Type	Part No.	Std. Pack
WK 6/U	57.506.0055.0	100	WKN 10/U	57.510.0155.0	50	WKN 16/U	57.516.0155.0	50
WK 6/U BLAU	57.506.0055.6	100	WKN 10/U BLAU	57.510.0155.6	50	WKN 16/U BLAU	57.516.0155.6	50
35 x 27 x 7,5 EN 60715	98.300.0000.0	1	35 x 27 x 7,5 EN 60715	98.300.0000.0	1	35 x 27 x 7,5 EN 60715	98.300.0000.0	1
35 x 27 x 15 EN 60715	98.370.0000.0	1	35 x 27 x 15 EN 60715	98.370.0000.0	1	35 x 27 x 15 EN 60715	98.370.0000.0	1
9006 EN 60715 G-32	98.190.0000.0	1	9006 EN 60715 G-32	98.190.0000.0	1	9006 EN 60715 G-32	98.190.0000.0	1
WE 1/U	Z5.523.5753.0	100	WE 1/U	Z5.523.5753.0	100	WE 1/U	Z5.523.5753.0	100
9708/2 S35	Z5.522.8553.0	100	9708/2 S35	Z5.522.8553.0	100	9708/2 S 35	Z5.522.8553.0	100
WEF 1/35	Z5.523.9353.0	100	WEF 1/35	Z5.523.9353.0	100	WEF 1/35	Z5.523.9353.0	100
AP 6	07.311.0255.0	10	APN 10	07.311.6655.0	10	APN 16	07.311.6755.0	10
AP 6 BLAU	07.311.0255.6	10	APN 10 BLAU	07.311.6655.6	10	APN 16 BLAU	07.311.6755.6	10
TW 6	07.311.1255.0	10	TWN 10	07.311.7655.0	10	TWN 16	07.311.7755.0	10
IVB WK 6 - 2	Z7.282.2227.0	10	IVB WKN 10 - 2	Z7.283.2227.0	10	IVB WKN 16 - 2	Z7.284.2227.0	10
IVB WK 6 - 3	Z7.282.2327.0	10	IVB WKN 10 - 3	Z7.283.2327.0	10	IVB WKN 16 - 3	Z7.284.2327.0	10
IVB WK 6 - 12	Z7.282.3227.0	10	IVB WKN 10 - 12	Z7.283.3227.0	10	IVB WKN 16 - 12	Z7.284.3227.0	10
TS 6 GELB	07.311.2253.8	10	TS 10 GELB	07.311.2353.8	10	TSN 16 GELB	07.311.8453.8	10
AD VB 6 GELB	04.326.2253.8	10	AD VB 10 GELB	04.326.2353.8	10	AD VB 12/4 GELB	04.343.5156.8	10
AD VB 8/4 GELB	04.343.4956.8	10	AD VB 10/4 GELB	04.343.5056.8	10			

Feed-through blocks with screw connection



Enclosed design



Enclosed design

0344 II 2GD IM2
 Ex e I/II
 EN 60947-7-1
 UL ratings
 CSA ratings
 KEMA 02 ATEX 2114 U¹⁾
 Width
 Approvals

Field/factory wiring
 EN 60079-0/EN 60079-7
 Wire strip length

WKN 35/U

fine-stranded	stranded	V	A
10-35mm ²	10-50mm ²	1000V/8kV/3	125
No. 10-2 AWG		600V	150
No. 12-2 AWG		600V	150
10-35mm ²	10-50mm ²	690V*	86/124 ³⁾
16mm			18mm

EPM LR

WKN 70/U

fine-stranded	stranded	V	A
10-70mm ²	16-95mm ²	1000V/8kV/3	192
No. 6-2/0 AWG		600V	175/175
No. 6-2/0 AWG		600V	170
10-70mm ²	16-95mm ²	690V	179/179 ³⁾
24mm			24mm

LR

Feed-through block	Type	Part No.	Std. Pack	Type	Part No.	Std. Pack	
gray	WKN 35/U	57.535.0155.0	20	WKN 70/U	57.570.0155.0	20	
Feed-through block Ex i	blue	WKN 35/U BLAU	57.535.0155.6	20	WKN 70/U BLAU	57.570.0155.6	20
Accessories							
1. Mounting rail TS 35, DIN rail 7.5 mm high	L = 2 m	35 x 27 x 7,5 EN 60715	98.300.0000.0	1	35 x 27 x 7,5 EN 60715	98.300.0000.0	1
Mounting rail TS 35, DIN rail, 15 mm high	L = 2 m	35 x 24 x 15 EN 60715	98.360.0000.0	1	35 x 24 x 15 EN 60715	98.360.0000.0	1
Mounting rail TS 32, G rail ²⁾	L = 2 m	9006 EN 60715 G-32	98.190.0000.0	1	9006 EN 60715 G-32	98.190.0000.0	1
2. End clamp with U-foot ²⁾	10 mm wide	WE 1/U	Z5.523.5753.0	100	WE 1/U	Z5.523.5753.0	100
End clamp TS 35, with screw	8 mm wide	9708/2 S 35	Z5.522.8553.0	100	9708/2 S 35	Z5.522.8553.0	100
End clamp TS 35, without screw	8 mm wide	WEF 1/35	Z5.523.9353.0	100	WEF 1/35	Z5.523.9353.0	100
3. End plate	gray						
	blue						
4. Partition	gray	TWN 35	07.311.7855.0	10	TWN 70	07.311.7955.0	10
5. Cross connector with screws	2 pole	IVB WKN 35 - 2	Z7.285.2227.0	5	VB WKN 70 - 2	Z7.286.3227.0	10
	3 pole	IVB WKN 35 - 3	Z7.285.2327.0	5	VB WKN 70 - 3	Z7.286.3327.0	10
	up to 6 pole	IVB WKN 35 - 6	Z7.285.2627.0	5	VB WKN 70 - 6	Z7.286.3627.0	10
	up to 12 pole	IVB WKN 35 - 12	Z7.285.3227.0	5			
6. Partition plate with marking facility							
7. Single cover with marking facility		AD VB 35 GELB	04.326.2553.8	10	AD VB 70 GELB	04.326.2653.8	10
8. Cover with warning symbol over 4 blocks		AD VB 16/4 GELB	04.343.5256.8	10	AD VB 24/4 GELB	04.343.5356.8	10

For more accessories see pages 62-79

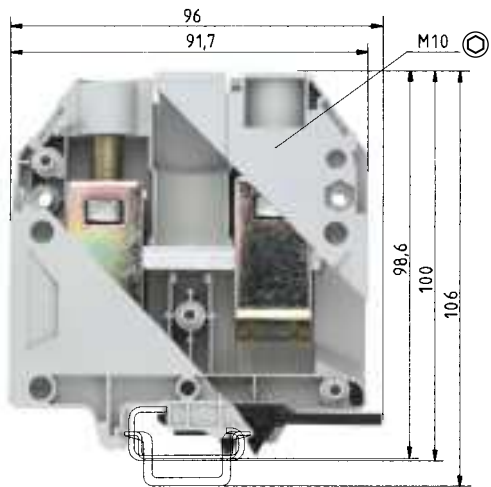
For marking systems see pages 72-77

*¹⁾ For maintaining the proper isolation distances, the open side of a feed-through terminal block as well as both sides of a jumper are to be enclosed by partitions.

¹⁾ Please note the mounting instructions.

²⁾ Do not use in Ex environments.




³⁾ With/without jumper



Enclosed design

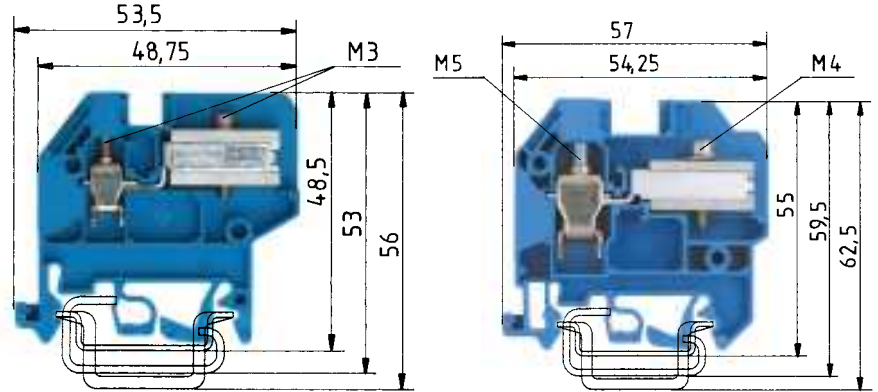
WKN 150/U

fine-stranded	stranded	V	A
35-150 mm ²	35-185 mm ²	1000 V/8kV/3	309
No. 2/0 AWG – 350 kcmil		600 V	335/335
No. 2/0 AWG – 350 kcmil		600 V	365
35-150 mm ²	35-185 mm ²	690 V	290/309 ³⁾
28 mm			30 mm

ATEX LR   

Type	Part No.	Std. Pack
WKN 150/U	57.597.0155.0	10
WKN 150/U BLAU	57.597.0155.6	10
35 x 27 x 7,5 EN 60715	98.300.0000.0	1
35 x 24 x 15 EN 60715	98.360.0000.0	1
9006 EN 60715 G-32	98.190.0000.0	1
WE 2/U	Z5.523.5653.0	100
9708/2 S 35	Z5.522.8553.0	100
WEF 1/35	Z5.523.9353.0	100
VB WKN 150 - 2	Z7.287.1227.0	5
VB WKN 150 - 3	Z7.287.1327.0	5
VB WKN 150 - 6	Z7.287.1627.0	5
AD VB 28/4 GELB	04.343.5456.8	10

Neutral disconnect blocks with screw connection



Current carrying capability:
 fine-stranded: 4 mm² 25 A
 solid: 6 mm² 30 A

Current carrying capability:
 fine-stranded: 10 mm² 45 A
 stranded: 16 mm² 50 A

WKN 4 ETK/U

fine-stranded stranded V A
 0.5-4 mm² 0.5-6 mm² 400V/6kV/3^{*)}

6 mm



WKN 10 ETK/U

fine-stranded solid/stranded V A
 1-10 mm² 1-16 mm² 400V/6kV/3^{*)}

9 mm

10 mm

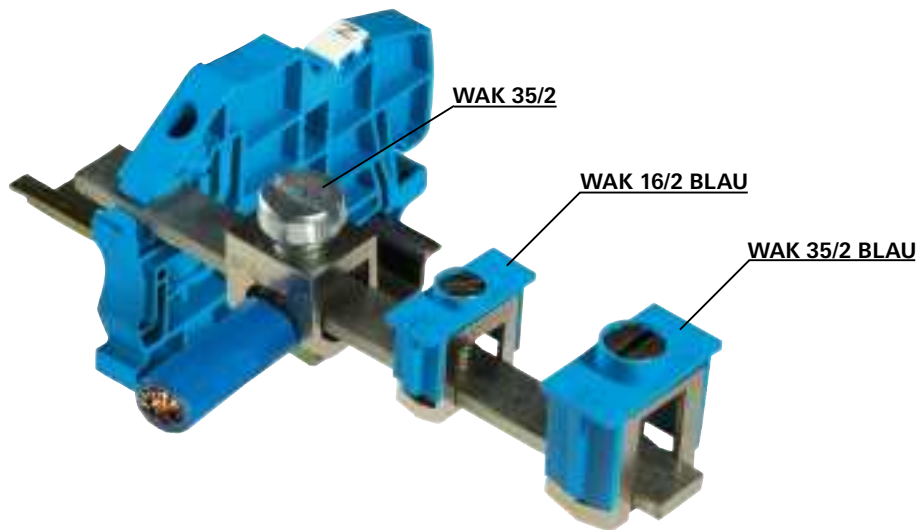
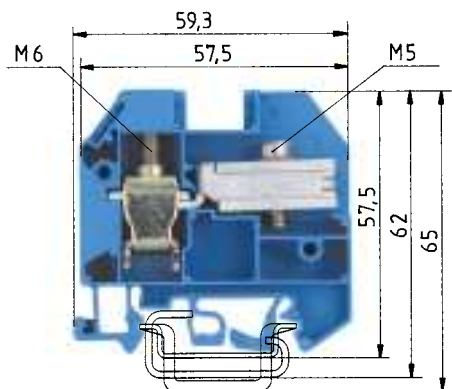


13 mm

EN 60947-7-1/DIN VDE 0611 T1
 UL ratings Field/factory wiring
 CSA ratings
 Width Wire strip length
 Approvals

	Type	Part No.	Std. Pack	Type	Part No.	Std. Pack
Neutral disconnect block blue	WKN 4 ETK/U	57.504.8155.0	100	WKN 10 ETK/U	57.510.8155.0	50
Connector clamps for busbar blue						
unplated						
Accessories						
1. Mounting rail TS 35, DIN rail 7.5 mm high L = 2 m	35 x 27 x 7,5 EN 60715	98.300.0000.0	1	35 x 27 x 7,5 EN 60715	98.300.0000.0	1
Mounting rail TS 35, DIN rail, 15 mm high L = 2 m	35 x 27 x 15 EN 60715	98.370.0000.0	1	35 x 27 x 15 EN 60715	98.370.0000.0	1
Mounting rail TS 32, G rail ²⁾ L = 2 m	9006 EN 60715 G-32	98.190.0000.0	1	9006 EN 60715 G-32	98.190.0000.0	1
2. End clamp with U-foot ²⁾ 10 mm wide	WE 1/U	Z5.523.5753.0	100	WE 1/U	Z5.523.5753.0	100
End clamp TS 35, with screw 8 mm wide	9708/2 S35	Z5.522.8553.0	100	9708/2 S35	Z5.522.8553.0	100
End clamp TS 35, without screw 8 mm wide	WEF 1/35	Z5.523.9353.0	100	WEF 1/35	Z5.523.9353.0	100
3. End plate gray						
blue	APN 4 ETK	07.312.1155.0	10	APN 10 ETK	07.312.0955.0	10
4. Partition gray						
5. Cross connector with screws 2 pole						
insulated 3 pole						
up to 12 pole						
6. Partition plate with marking facility						
7. Single cover with marking facility	AD VB 4 GELB	04.326.2153.8	10	AD VB 10 GELB	04.326.2353.8	10
8. Cover with warning symbol over 4 blocks						
9. Busbar, E-Cu, 10x3 mm, blank, I _N =140 A L = 1 m	9813 M	98.290.0000.0	1	9813 M	98.290.0000.0	1
Busbar, E-Cu, 10x3 mm, zinc-plated, I _N = 140 A L = 1 m	9813 M SN	98.290.1000.0	1	9813 M SN	98.290.1000.0	1
10. Connection clamp f. busbar 8.5 mm wide	WAK 16/2 BLAU	30.494.3021.6	100	WAK 16/2 BLAU	30.494.3021.6	100
12.5 mm wide	WAK 35/2 BLAU	30.494.4021.6	100	WAK 35/2 BLAU	30.494.4021.6	100
17 mm wide	WAK 35/2	30.494.4121.0	50	WAK 35/2	30.494.4121.0	50
11. Rail holder 8 mm wide	WKIF SH/E/35	Z1.108.8453.0	100	WKIF SH/E/35	Z1.108.8453.0	100
For more accessories see pages 62-79						
For marking systems see pages 72-77						
*) For use in grounded networks 690/400V						

Connector clamps for Cu busbar (10 x 3 mm)



Current carrying capability:
 fine-stranded: 16 mm² 62A
 stranded: 25 mm² 67A

EN 60 998-2-1 CCA/CH

EN 60 998-2-1 CCA/CH

WKN 16 ETK/U

fine-stranded solid/stranded V A
 4-16 mm² 4-25 mm² 400V/6kV/3^o)

WAK 16/2

fine-stranded stranded V
 1,5-16 mm² 10-16 mm²

WAK 35/2

A fine-stranded stranded V A
 76 16-35 mm² 16-35 mm² 125

12 mm

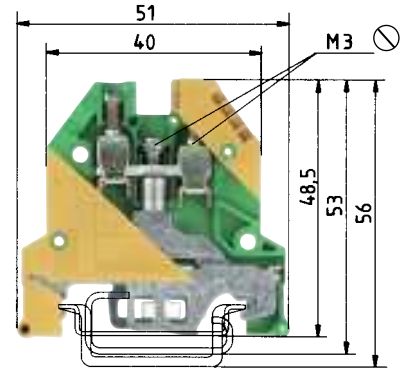
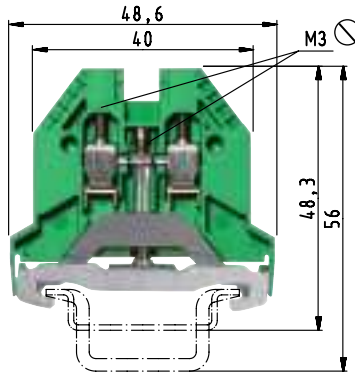
15 mm

16 mm 17 mm

14 mm

Type	Part No.	Std. Pack	Type	Part No.	Std. Pack	Type	Part No.	Std. Pack
WKN 16 ETK/U	57.516.8155.0	50	WAK 16/2 BLAU	30.494.3021.6	100	WAK 35/2 BLAU	30.494.4021.6	100
						WAK 35/2	30.494.4121.0	50
35 x 27 x 7,5 EN 60715	98.300.0000.0	1	35 x 27 x 7,5 EN 60715	98.300.0000.0	1	35 x 27 x 7,5 EN 60715	98.300.0000.0	1
35 x 27 x 15 EN 60715	98.370.0000.0	1	35 x 27 x 15 EN 60715	98.370.0000.0	1	35 x 27 x 15 EN 60715	98.370.0000.0	1
9006 EN 60715 G-32	98.190.0000.0	1	9006 EN 60715 G-32	98.190.0000.0	1	9006 EN 60715 G-32	98.190.0000.0	1
WE 1/U	Z5.523.5753.0	100	WE 1/U	Z5.523.5753.0	100	WE 1/U	Z5.523.5753.0	100
9708/2 S35	Z5.522.8553.0	100	9708/2 S35	Z5.522.8553.0	100	9708/2 S35	Z5.522.8553.0	100
WEF 1/35	Z5.523.9353.0	100	WEF 1/35	Z5.523.9353.0	100	WEF 1/35	Z5.523.9353.0	100
APN 16 ETK	07.312.0855.0	10	APN 16 ETK	07.312.0855.0	10	APN 16 ETK	07.312.0855.0	10
AD VB 16 GELB	04.326.2453.8	10	AD VB 16 GELB	04.326.2453.8	10	AD VB 16 GELB	04.326.2453.8	10
9813 M	98.290.0000.0	1	9813 M	98.290.0000.0	1	9813 M	98.290.0000.0	1
9813 M SN	98.290.1000.0	1	9813 M SN	98.290.1000.0	1	9813 M SN	98.290.1000.0	1
WAK 16/2 BLAU	30.494.3021.6	100	WAK 16/2 BLAU	30.494.3021.6	100	WAK 16/2 BLAU	30.494.3021.6	100
WAK 35/2 BLAU	30.494.4021.6	100	WAK 35/2 BLAU	30.494.4021.6	100	WAK 35/2 BLAU	30.494.4021.6	100
WAK 35/2	30.494.4121.0	50	WAK 35/2	30.494.4121.0	50	WAK 35/2	30.494.4121.0	50
WKIF SH/E/35	Z1.108.8453.0	100	WKIF SH/E/35	Z1.108.8453.0	100	WKIF SH/E/35	Z1.108.8453.0	100

Ground blocks with screw connection



Enclosed design

0344 II 2GD IM2
 Ex e I/II
 EN 60947-7-2
 UL ratings
 CSA ratings
 KEMA 02 ATEX 2114 U¹⁾ EN 60079-0/EN 60079-7
 Width
 Approvals

Field/factory wiring

Wire strip length

WK 2,5 SL/35

fine-stranded solid V
 0.5-2.5 mm² 0,5-4 mm² 500V/6kV/3³⁾
 No. 22-12 AWG
 No. 24-12 AWG

5 mm



WK 4 SL/U

A fine-stranded solid V A
 0.5-4 mm² 0.5-6 mm² 800V/8kV/3³⁾
 No. 22-10 AWG
 No. 20-10 AWG
 0.5-4 mm² 0.5-6 mm²

9 mm 6 mm

9 mm



Ground block	green/yellow	Type	Part No.	Std. Pack	Type	Part No.	Std. Pack
		WK 2,5 SL/35	56.503.9055.0	100	WK 4 SL/U	57.504.9055.0	100
Accessories							
1. Mounting rail TS 35, DIN rail 7.5 mm high	L = 2 m	35 x 27 x 7,5 EN 60715	98.300.0000.0	1	35 x 27 x 7,5 EN 60715	98.300.0000.0	1
Mounting rail TS 35, DIN rail, 15 mm high	L = 2 m	35 x 27 x 15 EN 60715	98.370.0000.0	1	35 x 27 x 15 EN 60715	98.370.0000.0	1
Mounting rail TS 32, G rail ²⁾	L = 2 m				9006 EN 60715 G-32	98.190.0000.0	1
2. End clamp with U-foot ²⁾	10 mm wide	WE 1/U	Z5.523.5753.0	100	WE 1/U	Z5.523.5753.0	100
End clamp TS 35, with screw	8 mm wide	9708/2 S35	Z5.522.8553.0	100	9708/2 S35	Z5.522.8553.0	100
End clamp TS 35, without screw	8 mm wide	WEF 1/35	Z5.523.9353.0	100	WEF 1/35	Z5.523.9353.0	100
3. End plate	gray						
	green	AP 2,5-4 SL	07.311.7155.0	10			
4. Partition	gray						
5. Cross connector with screws	2 pole						
insulated	3 pole						
	up to 12 pole						
6. Partition plate with marking facility							
7. Single cover with marking facility							
8. Cover with warning symbol over 4 blocks							

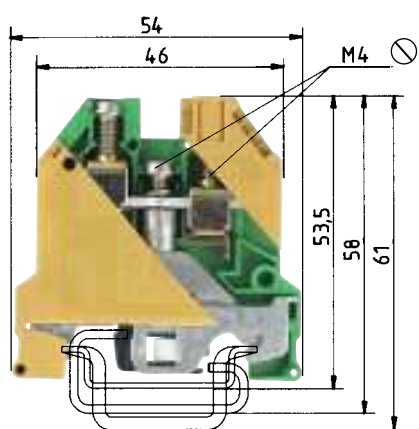
For more accessories see pages 62-79

For marking systems see pages 72-77

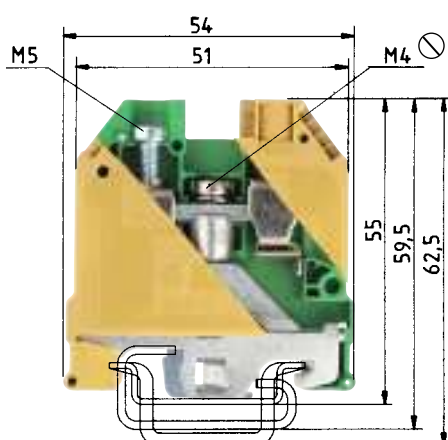
¹⁾ Please note the mounting instructions.

²⁾ Do not use in Ex environments.

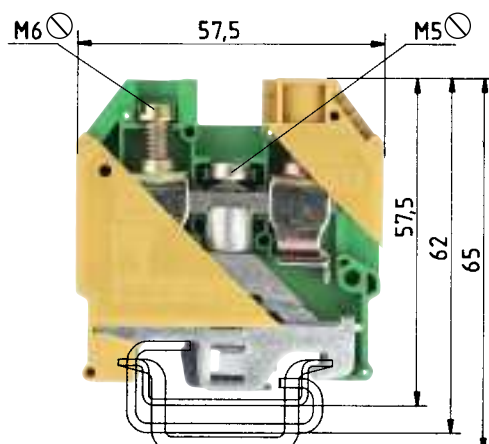
³⁾ Ratings to adjacent feed-through blocks of the same series and size.



Enclosed design



Enclosed design



Enclosed design

WK 6 SL/U

fine-stranded solid V
 0.5-6mm² 0.5-10mm² 800V/8kV/3^{ph}
 No. 22-8 AWG
 No. 20-8 AWG
 0.5-6mm² 0.5-10mm²
 8mm
 EPM

12mm

WKN 10 SL/U

fine-stranded solid/stranded V A
 2.5-10mm² 1.5-16mm² 800V/8kV/3^{ph}
 No. 16-6 AWG
 No. 16-6 AWG
 2.5-10mm² 1.5-16mm²
 10mm
 EPM

13mm

WKN 16 SL/U

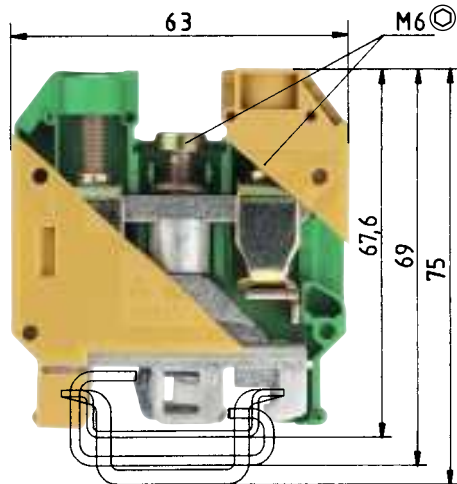
fine-stranded solid/stranded V A
 4-16mm² 1.5-25mm² 800V/8kV/3^{ph}
 No. 12-4 AWG
 No. 14-4 AWG
 4-16mm² 1.5-25mm²
 12mm
 EPM

15mm

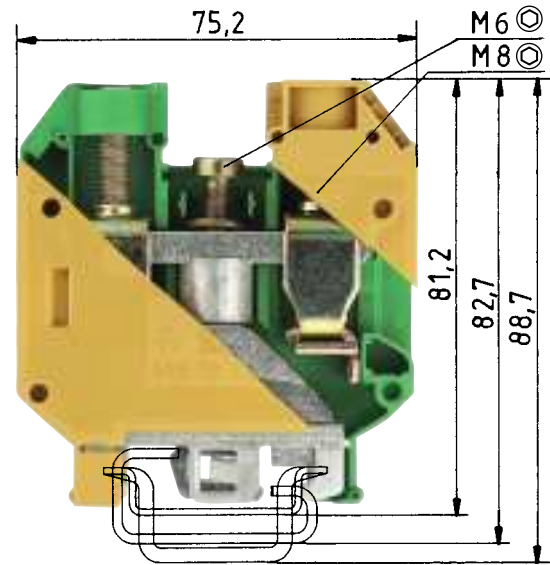
Type	Part No.	Std. Pack	Type	Part No.	Std. Pack	Type	Part No.	Std. Pack
WK 6 SL/U	57.506.9055.0	100	WKN 10 SL/U	57.510.9055.0	50	WKN 16 SL/U	57.516.9055.0	50
35 x 27 x 7,5 EN 60715	98.300.0000.0	1	35 x 27 x 7,5 EN 60715	98.300.0000.0	1	35 x 27 x 7,5 EN 60715	98.300.0000.0	1
35 x 27 x 15 EN 60715	98.370.0000.0	1	35 x 27 x 15 EN 60715	98.370.0000.0	1	35 x 27 x 15 EN 60715	98.370.0000.0	1
9006 EN 60715 G-32	98.190.0000.0	1	9006 EN 60715 G-32	98.190.0000.0	1	9006 EN 60715 G-32	98.190.0000.0	1
WE 1/U	Z5.523.5753.0	100	WE 1/U	Z5.523.5753.0	100	WE 1/U	Z5.523.5753.0	100
9708/2 S35	Z5.522.8553.0	100	9708/2 S35	Z5.522.8553.0	100	9708/2 S35	Z5.522.8553.0	100
WEF 1/35	Z5.523.9353.0	100	WEF 1/35	Z5.523.9353.0	100	WEF 1/35	Z5.523.9353.0	100

Ground blocks with screw connection

For ground blocks of 70mm² or higher, only mounting rails from E-copper must be used due to the current carrying capability.



Enclosed design



Enclosed design

0344 II 2GD IM2
 Ex e I/II
 EN 60947-7-2
 UL ratings
 CSA ratings
 KEMA 02 ATEX 2114 U¹⁾ EN 60079-0/EN 60079-7
 Width
 Approvals

Field/factory wiring
 Wire strip length

WKN 35 SL/U
 fine-stranded stranded V A
 10-35mm² 10-50mm² 800V/8kV/3³⁾
 No. 10-2 AWG
 No. 10-2 AWG
 10-35mm² 10-50mm²
 16mm
 EPM 20mm

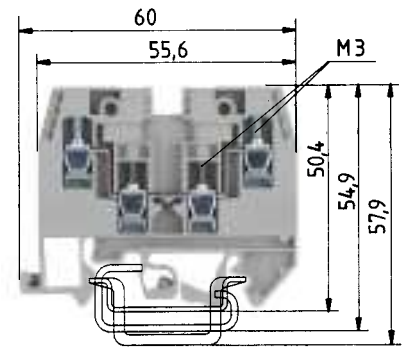
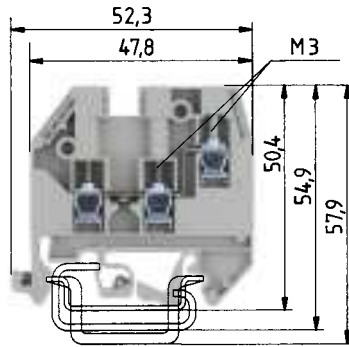
WKN 70 SL/U
 fine-stranded stranded V A
 10-70mm² 16-95mm² 800V/8kV/3³⁾
 No. 6-2/0 AWG
 No. 6-2/0 AWG
 10-70mm² 16-95mm²
 24mm
 20mm

Ground block	green/yellow	Type	Part No.	Std. Pack	Type	Part No.	Std. Pack
Ground block	green/yellow	WKN 35 SL/U	57.535.9055.0	20	WKN 70 SL/U	57.570.9055.0	20
Supply set							
Accessories							
1. Mounting rail TS 35, DIN rail 7.5mm high	L=2m						
Mounting rail TS 35, DIN rail, 15mm high	L=2m	35 x 24 x 15 EN 60715	98.360.0000.0	1	35 x 24 x 15 EN 60715 CU	98.380.0000.0	10
Mounting rail TS 32, G rail ²⁾	L=2m	9006 EN 60715 G-32	98.190.0000.0	1	9006 EN 60715 G-32 E-CU	98.220.0000.0	10
2. End clamp with U-foot ²⁾	10mm wide	WE 1/U	Z5.523.5753.0	100	WE 1/U	Z5.523.5753.0	100
End clamp TS 35, with screw	8mm wide	9708/2 S35	Z5.522.8553.0	100	9708/2 S35	Z5.522.8553.0	100
End clamp TS 35, without screw	8mm wide	WEF 1/35	Z5.523.9353.0	100	WEF 1/35	Z5.523.9353.0	100
3. End plate	gray						
	green						
4. Partition	gray						
5. Cross connector with screws	2 pole						
insulated	3 pole						
	up to 12 pole						
6. Partition plate with marking facility							
7. Single cover with marking facility							
8. Cover with warning symbol over 4 blocks							

For more accessories see pages 62-79
 For marking systems see pages 72-77

¹⁾ Please note the mounting instructions. ²⁾ Do not use in Ex environments.
³⁾ Ratings to adjacent feed-through blocks of the same series and size.

Duo feed-through blocks with screw connection



0344 II 2GD IM2
 Ex e I/II
 EN 60947-7-1
 UL ratings
 CSA ratings
 KEMA 02 ATEX 2114 U¹⁾
 Width
 Approvals

Field/factory wiring
 EN 60079-0/EN 60079-7
 Wire strip length

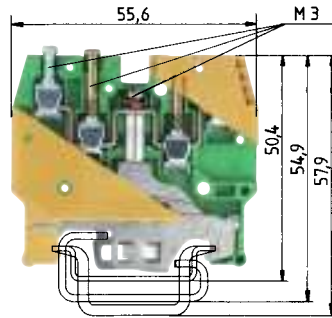
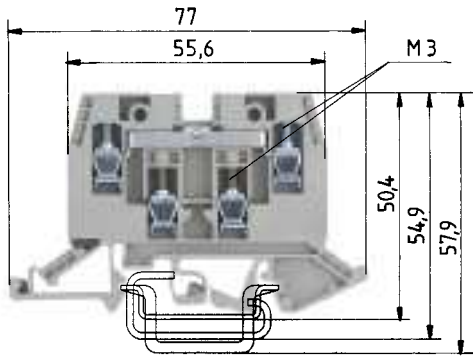
WK 4/D 1/2 /U

fine-stranded solid V
 0.5-4 mm² 0.5-6 mm² 800 V²⁾/6 kV/3
 No. 22-10 AWG 600 V
 No. 20-10 AWG 600 V
 0.5-4 mm² 0.5-6 mm² 690 V
 6 mm

WK 4/D 2/2 /U

A fine-stranded solid V A
 0.5-4 mm² 0.5-6 mm² 800 V²⁾/6 kV/3 32
 No. 22-10 AWG 600 V 30
 No. 20-10 AWG 600 V 30
 0.5-4 mm² 0.5-6 mm² 690 V 30/30²⁾
 6 mm 9 mm

		Type	Part No.	Std. Pack	Type	Part No.	Std. Pack
Duo feed-through block	gray	WK 4/D 1/2 /U	57.504.5055.0	100	WK 4/D 2/2 /U	57.504.5155.0	100
Duo feed-through block	blue	WK 4/D 1/2 /U BLAU	57.504.5055.6	100	WK 4/D 2/2 /U BLAU	57.504.5155.6	100
Duo multi-tier block	gray						
Duo ground block	green / yellow						
Accessories							
1. Mounting rail TS 35, DIN rail 7.5 mm high	L = 2 m	35 x 27 x 7,5 EN 60715	98.300.0000.0	1	35 x 27 x 7,5 EN 60715	98.300.0000.0	1
Mounting rail TS 35, DIN rail, 15 mm high	L = 2 m	35 x 27 x 15 EN 60715	98.370.0000.0	1	35 x 27 x 15 EN 60715	98.370.0000.0	1
Mounting rail TS 32, G rail ³⁾	L = 2 m	9006 EN 60715 G-32	98.190.0000.0	1	9006 EN 60715 G-32	98.190.0000.0	1
2. End clamp with U-foot ³⁾	10 mm wide	WE 1/U	Z5.523.5753.0	100	WE 1/U	Z5.523.5753.0	100
End clamp TS 35, with screw	8 mm wide	9708/2 S 35	Z5.522.8553.0	100	9708/2 S 35	Z5.522.8553.0	100
End clamp TS 35, without screw	8 mm wide	WEF 1/35	Z5.523.9353.0	100	WEF 1/35	Z5.523.9353.0	100
3. End plate	gray	AP 4/D 1/2	07.311.6455.0	10	AP 4/D..	07.311.6355.0	10
	blue	AP 4/D 1/2 BLAU	07.311.6455.6	10	AP 4/D.. BLAU	07.311.6355.6	10
4. Partition	gray						
5. Cross connector with screws	2 pole	IVB WK 4 D...-2	Z7.281.7227.0	10	IVB WK 4 D...-2	Z7.281.7227.0	10
insulated	3 pole	IVB WK 4 D...-3	Z7.281.7327.0	10	IVB WK 4 D...-3	Z7.281.7327.0	10
	up to 12 pole	IVB WK 4 D...-12	Z7.281.8227.0	10	IVB WK 4 D...-12	Z7.281.8227.0	10
Jumper comb for lower tier blocks	2 pole	IVK WK 4/D...-2	Z7.256.2227.0	10	IVK WK 4/D...-2	Z7.256.2227.0	10
insulated	3 pole	IVK WK 4/D...-3	Z7.256.2327.0	10	IVK WK 4/D...-3	Z7.256.2327.0	10
	up to 12 pole	IVK WK 4/D...-12	Z7.256.3227.0	10	IVK WK 4/D...-12	Z7.256.3227.0	10
6. Partition plate with marking facility		TS 4/15 GELB	07.311.2953.8	10	TS 4/15 GELB	07.311.2953.8	10
7. Single cover with marking facility		AD VB 4 GELB	04.326.2153.8	10	AD VB 4 GELB	04.326.2153.8	10
8. Cover with warning symbol over 4 blocks							
For more accessories see pages 62-79		¹⁾ Please note the mounting instructions.		²⁾ With/without jumper		³⁾ Do not use in Ex environments.	
For marking systems see pages 72-77		⁴⁾ Ratings to adjacent feed-through blocks of the same series and size.					



Enclosed design

WK 4/D EU

fine-stranded solid V A
0.5-4 mm² 0.5-6 mm² 320 V/4 kV/3⁵⁾ 32

No. 22-10 AWG 300 V⁶⁾ 30
No. 20-12 AWG 300 VC/600 VD, E⁶⁾ 30
0.5-4 mm² 0.5-6 mm² 275 V⁶⁾ 22/22²⁾
6 mm 9 mm



WK 4/D 2/2 SL U

fine-stranded solid V A
0.5-4 mm² 0.5-6 mm²

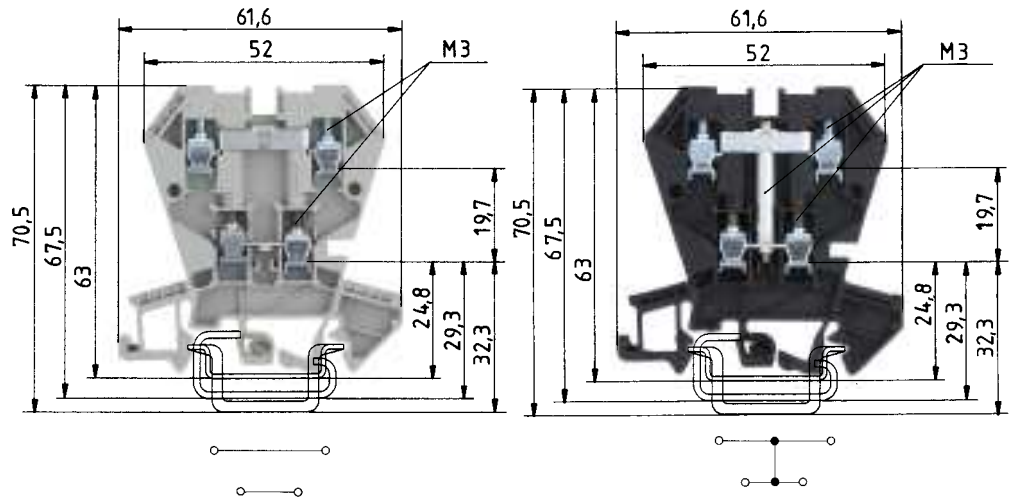
No. 22-10 AWG
No. 20-12 AWG
0.5-4 mm² 0.5-6 mm²
6 mm 9 mm



Type	Part No.	Std. Pack	Type	Part No.	Std. Pack
WK 4/D EU	57.504.5255.0	100	WK 4/D 2/2 SL U	57.504.9155.0	100
35 x 27 x 7,5 EN 60715	98.300.0000.0	1	35 x 27 x 7,5 EN 60715	98.300.0000.0	1
35 x 27 x 15 EN 60715	98.370.0000.0	1	35 x 27 x 15 EN 60715	98.370.0000.0	1
9006 EN 60715 G-32	98.190.0000.0	1	9006 EN 60715 G-32	98.190.0000.0	1
WE 1/U	Z5.523.5753.0	100			
9708/2 S 35	Z5.522.8553.0	100			
WEF 1/35	Z5.523.9353.0	100			
AP 4/D...	07.311.6355.0	10			
AP 4/D.. BLAU	07.311.6355.6	10			
IVB WK 4/DEU-2	Z7.271.0227.0	10			
IVB WK 4 /DEU-3	Z7.271.0327.0	10			
IVB WK 4/DEU-12	Z7.271.1227.0	10			
IVK WK 4/D...-2	Z7.256.2227.0	10			
IVK WK 4/D...-3	Z7.256.2327.0	10			
IVK WK 4/D...-12	Z7.256.3227.0	10			
TS 4/15 GELB	07.311.2953.8	10			
AD VB 4 GELB	04.326.2153.8	10			

⁵⁾ 630 V/6 kV/3 with partition plate 07.311.2953.8 between two adjacent blocks
⁶⁾ With partition plate 07.311.2953.8 between two adjacent blocks
⁷⁾ End plates must be used when SL blocks and other types are snapped in next to each other.

Multi-tier blocks with screw connection



0344 Ex II 2GD IM2

Ex e I/II

EN 60947-7-1

EN 60947-7-2

UL ratings

CSA ratings

KEMA 02 ATEX 2114 U¹⁾ EN 60079-0/EN 60079-7

Width

Approvals

Field/factory wiring

Wire strip length

WK 4 E/U

fine-stranded solid V A
0.5-4mm² 0.5-4mm² 400V/6kV/3³⁾ 32

No. 22-10 AWG 300V 20

No. 20-12 AWG 300V 10

0.5-4mm² 0.5-4mm² 275V 24/24²⁾

6mm 9mm



WK 4 E/U /VB

fine-stranded solid V A
0.5-4mm² 0.5-4mm² 400V/6kV/3 32

No. 22-10 AWG 300V 20

No. 20-12 AWG 300V 10

0.5-4mm² 0.5-4mm² 275V 24

6mm 9mm



	Type	Part No.	Std. Pack	Type	Part No.	Std. Pack
Multi-tier block gray	WK 4 E/U	57.404.7055.0	100			
Multi-tier block, vert. connected black				WK 4 E/U/VB SCHWARZ	57.404.6955.1	100
Multi-tier ground block green/yellow						
Function block red						
Function block orange						
Accessories						
1. Mounting rail TS 35, DIN rail 7.5mm high L = 2m	35 x 27 x 7,5 EN 60715	98.300.0000.0	1	35 x 27 x 7,5 EN 60715	98.300.0000.0	1
Mounting rail TS 35, DIN rail, 15mm high L = 2m	35 x 27 x 15 EN 60715	98.370.0000.0	1	35 x 27 x 15 EN 60715	98.370.0000.0	1
Mounting rail TS 32, G rail* L = 2m	9006 EN 60715 G-32	98.190.0000.0	1	9006 EN 60715 G-32	98.190.0000.0	1
2. End clamp with U-foot* 10mm wide	WE 1/U	Z5.523.5753.0	100	WE 1/U	Z5.523.5753.0	100
End clamp TS 35, with screw 8mm wide	9708/2 S 35	Z5.522.8553.0	100	9708/2 S 35	Z5.522.8553.0	100
End clamp TS 35, without screw 8mm wide	9708	Z5.522.7053.0	100	WEF 1/35	Z5.523.9353.0	100
3. End plate gray	AP 4 E	07.311.4055.0	10	AP 4 E	07.311.4055.0	10
blue						
4. Partition gray	TW 4 E	07.311.5055.0	10	TW 4 E	07.311.5055.0	10
5. Cross connector with screws 2 pole	9215-2	Z7.210.3227.0	50	9215-2	07.210.3227.0	1
for top tier 3 pole	9215-3	Z7.210.3327.0	50	9215-3	07.210.3327.0	1
up to 6 pole	9215-6	Z7.210.3627.0	50	9215-6	07.210.3627.0	1
Jumper comb for lower tier block 2 pole	IVBS WK 4 E-2	Z7.256.4227.0	10	IVBS WK 4 E-2	Z7.256.4227.0	10
insulated, angled up to 6 pole	IVBS WK 4 E-6	Z7.256.4627.0	10	IVBS WK 4 E-6	Z7.256.4627.0	10
Jumper comb for lower tier block 2 pole	IVB WK 4 E-2	Z7.255.2227.0	10	IVB WK 4 E-2	Z7.255.2227.0	10
insulated, straight up to 6 pole	IVB WK 4 E-6	Z7.255.2627.0	10	IVB WK 4 E-6	Z7.255.2627.0	10
6. Partition plate with marking facility						
7. Single cover with marking facility	AD VB 4/15 GELB	04.326.2953.8	10	AD VB 4/15 GELB	04.326.2953.8	10
8. Cover with warning symbol over 4 blocks						
For more accessories see pages 62-79						
For marking systems see pages 72-77						

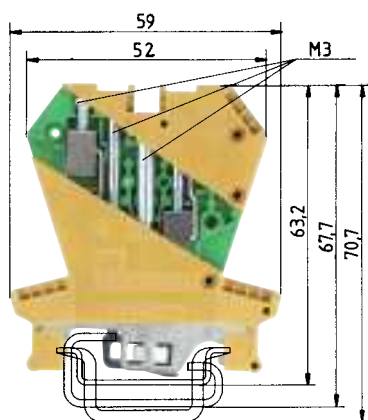
¹⁾ Please note the mounting instructions.

³⁾ With end plates 500 V/6 kV/3.

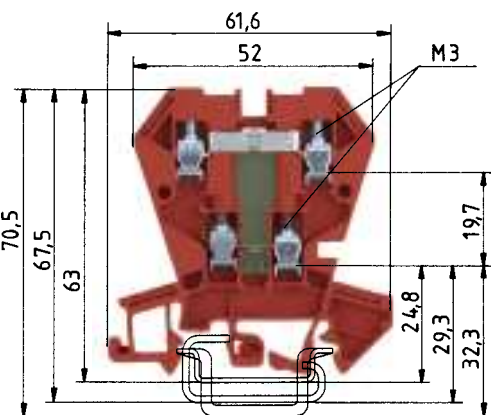
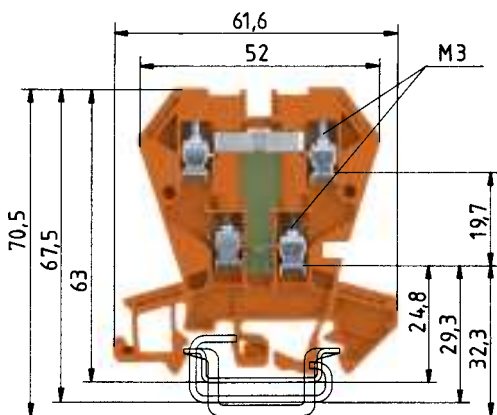
⁴⁾ Ratings to adjacent feed-through blocks of the same series and size.

²⁾ With/without jumper

* Do not use in Ex environments.



Enclosed design



WK 4 E SL/U

fine-stranded solid

V

0.5-4 mm² 0.5- 6mm² 500 V/6 kV/3⁴

No. 22-12 AWG

No. 22-10 AWG

0.5-4 mm² 0.5-6mm²

6,2mm



WK 4 E/U...

fine-stranded solid

V

0.5-4 mm² 0.5-4mm²

No. 22-10 AWG

No. 20-12 AWG

9mm

6mm

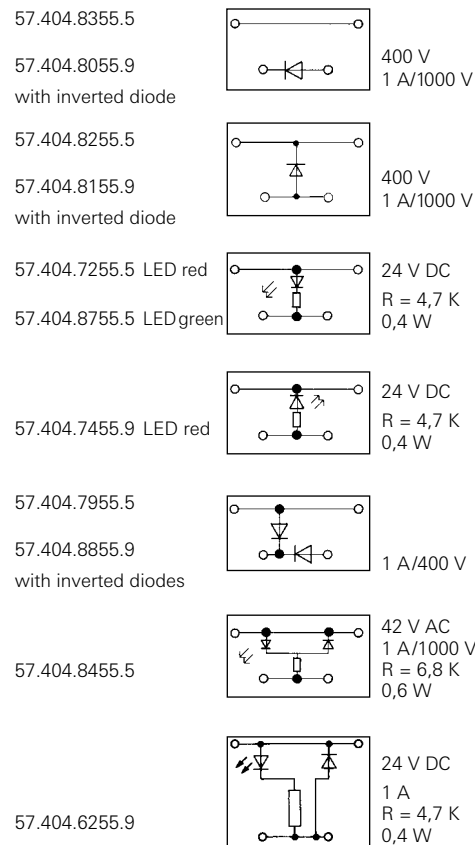


A

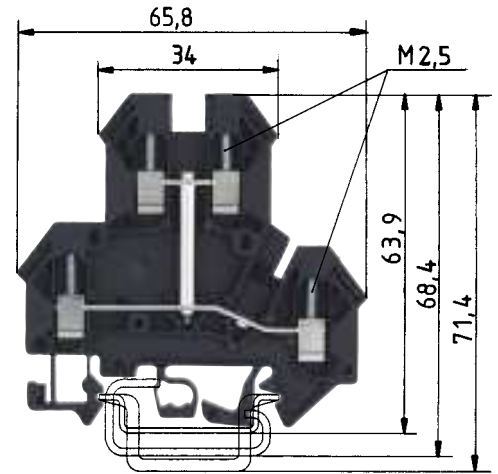
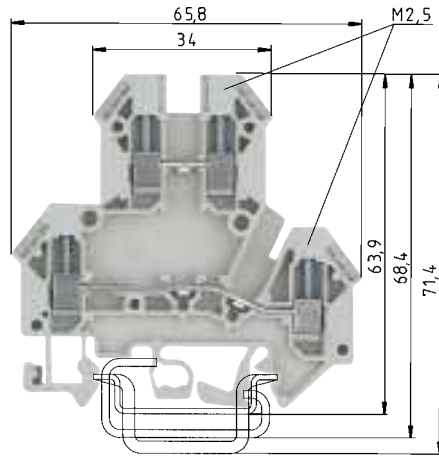
The multi-tier block is available on request as a function block for a wide variety of switching tasks.

Type	Part No.	Std. Pack	Type	Part No.	Std. Pack
WK 4 E SL/U	57.504.9255.0	100	WK 4 E/U...	57.404.XX55.9	100
			WK 4 E/U...	57.404.XX55.5	100
35 x 27 x 7,5 EN 60715	98.300.0000.0	1	35 x 27 x 7,5 EN 60715	98.300.0000.0	1
35 x 27 x 15 EN 60715	98.370.0000.0	1	35 x 27 x 15 EN 60715	98.370.0000.0	1
9006 EN 60715 G-32	98.190.0000.0	1	9006 EN 60715 G-32	98.190.0000.0	1
WE 1/U	Z5.523.5753.0	100	WE 1/U	Z5.523.5753.0	100
9708/2 S 35	Z5.522.8553.0	100	9708/2 S 35	Z5.522.8553.0	100
9708	Z5.522.7053.0	100	WEF 1/35	Z5.523.9353.0	100
			AP 4 E	07.311.4055.0	10
			TW 4 E	07.311.5055.0	10
			IVBS WK 4 E-2	Z7.256.4227.0	10
			IVBS WK 4 E-6	Z7.256.4627.0	10
			IVB WK 4 E-2	Z7.255.2227.0	10
			IVB WK 4 E-6	Z7.255.2627.0	10
AD VB 4/15 GELB	04.326.2953.8	10	AD VB 4/15 GELB	04.326.2953.8	10

Examples of functions



Multi-tier feed-through block with screw connection



EN 60947-7-1/DIN VDE 0611 T1

UL ratings

CSA ratings

Width

Approvals

Field/factory wiring

Wire strip length

WKN 2,5 E/U

fine-stranded solid

0.5-2.5mm² 0.5-4mm²

No. 22-12 AWG

No. 24-12 AWG

5mm



V

500V/6kV/3

600V

600V

A

24

20/25

25

8mm

WKN 2,5 E/U/VB

fine-stranded solid

0.5-2.5mm² 0.5-4mm²

No. 22-12 AWG

No. 24-12 AWG

5mm



V

500V/6kV/3

600V

600V

A

24

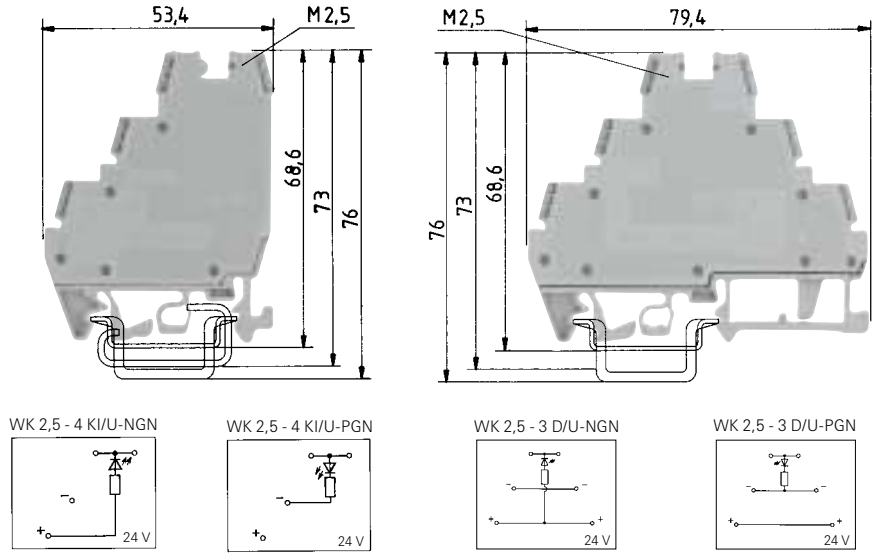
20/25

25

8mm

	Type	Part No.	Std. Pack	Type	Part No.	Std. Pack
Multi-tier feed-through block gray	WKN 2,5 E/U	57.403.7055.0	100			
Multi-tier feed-through block, connected black				WKN 2,5 E/U/VB	57.403.6955.1	100
Accessories						
1. Mounting rail TS 35, DIN rail 7.5 mm high L = 2 m	35 x 27 x 7,5 EN 60715	98.300.0000.0	1	35 x 27 x 7,5 EN 60715	98.300.0000.0	1
Mounting rail TS 35, DIN rail, 15 mm high L = 2 m	35 x 27 x 15 EN 60715	98.370.0000.0	1	35 x 27 x 15 EN 60715	98.370.0000.0	1
Mounting rail TS 32, G rail L = 2 m	9006 EN 60715 G-32	98.190.0000.0	1	9006 EN 60715 G-32	98.190.0000.0	1
2. End clamp with U-foot 10 mm wide	WE 1/U	Z5.523.5753.0	100	WE 1/U	Z5.523.5753.0	100
End clamp TS 35, with screw 8 mm wide	9708/2 S 35	Z5.522.8553.0	100	9708/2 S 35	Z5.522.8553.0	100
End clamp TS 35, without screw 8 mm wide	WEF 1/35	Z5.523.9353.0	100	WEF 1/35	Z5.523.9353.0	100
3. End plate gray	APN 2,5 E	07.312.1755.0	10	APN 2,5 E	07.312.1755.0	10
blue						
4. Partition gray	TWN 2,5 E	07.312.1855.0	10	TWN 2,5 E	07.312.1855.0	10
5. Cross connector with screws 2 pole	IVB WK 2,5 - 2	Z7.280.2227.0	10	IVB WK 2,5 - 2	Z7.280.2227.0	10
insulated, for upper tier 3 pole	IVB WK 2,5 - 3	Z7.280.2327.0	10	IVB WK 2,5 - 3	Z7.280.2327.0	10
up to 12 pole	IVB WK 2,5 - 12	Z7.280.3227.0	10	IVB WK 2,5 - 12	Z7.280.3227.0	10
Jumper comb 2 pole						
insulated, for lower tier 3 pole						
up to 12 pole						
6. Partition plate with marking facility	TS 2,5 GELB	07.311.2053.8	10	TS 2,5 GELB	07.311.2053.8	10
7. Single cover with marking facility	AD VB 2,5 GELB	04.326.2053.8	10	AD VB 2,5 GELB	04.326.2053.8	10
8. Cover with warning symbol over 4 blocks		04.343.4756.8	10		04.343.4756.8	10
For more accessories see pages 62-79						
For marking systems see pages 72-77						

Initiator blocks with screw connection



EN 60947-7-1/DIN VDE 0611 T1
 UL ratings Field/factory wiring
 CSA ratings
 Width Wire strip length
 Approvals

WK 2,5-4 KI/U

fine-stranded solid V A
 0.5-2.5mm² 0.5-4mm² 250V/4kV/3*
 No. 22-12 AWG 300V*
 No. 22-12 AWG 300V*
 6mm 7mm
 EPM

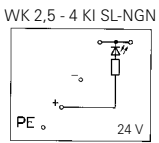
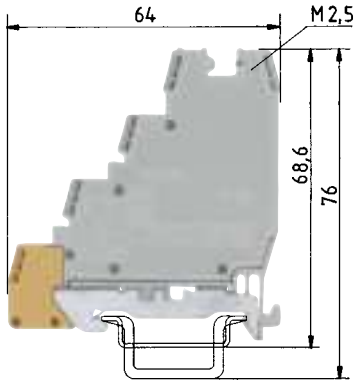
WK 2,5-3 D/U

fine-stranded solid V A
 0.5-2.5mm² 0.5-4mm² 400V/6kV/3* 24
 No. 22-12 AWG 300V* 25
 No. 22-12 AWG 300V* 25
 6mm 7mm
 EPM

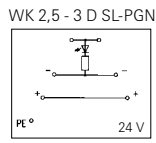
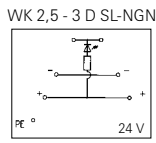
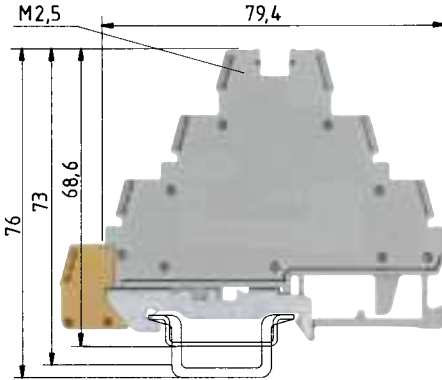
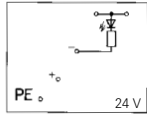
		Type	Part No.	Std. Pack	Type	Part No.	Std. Pack
Initiator block	gray	WK 2,5 - 4 KI/U	57.503.7855.0	100			
Multi-tier block	gray				WK 2,5 - 3 D/U	57.503.8855.0	50
with LED (green) between signal and plus	gray	WK 2,5 - 4 KI/U-NGN	57.503.7955.0	100	WK 2,5 - 3 D/U-NGN	57.503.8955.0	50
with LED (green) between signal and minus	gray	WK 2,5 - 4 KI/U-PGN	57.503.8055.0	100	WK 2,5 - 3 D/U-PGN	57.503.9055.0	50
with LED (red) between signal and minus	gray						
Accessories							
1. Mounting rail TS 35, DIN rail 7.5mm high	L = 2m	35 x 27 x 7,5 EN 60715	98.300.0000.0	1	35 x 27 x 7,5 EN 60715	98.300.0000.0	1
Mounting rail TS 35, DIN rail, 15mm high	L = 2m	35 x 27 x 15 EN 60715	98.370.0000.0	1	35 x 27 x 15 EN 60715	98.370.0000.0	1
Mounting rail TS 32, G rail	L = 2m	9006 EN 60715 G-32	98.190.0000.0	1	9006 EN 60715 G-32	98.190.0000.0	1
2. End clamp with U-foot	10mm wide	WE 1/U	Z5.523.5753.0	100	WE 1/U	Z5.523.5753.0	100
End clamp TS 35, with screw	8mm wide	9708/2 S 35	Z5.522.8553.0	100	9708/2 S 35	Z5.522.8553.0	100
End clamp TS 35, without screw	8mm wide	WEF 1/35	Z5.523.9353.0	100	WEF 1/35	Z5.523.9353.0	100
3. Partition	gray	TW 2,5 - 4 K/U	07.312.0555.0	10	TW 2,5 - 3 D/U	07.312.1255.0	50
4. Cross connector with screws	2 pole				IVB WK/3D-02	Z7.270.0227.0	10
insulated	3 pole				IVB WK/3D-03	Z7.270.0327.0	10
	up to 12 pole				IVB WK/3D-12	Z7.270.1227.0	10
5. Jumper comb, elbowed	2 pole	IVB WK 2,5-K-2 ROT	Z7.267.0227.5	10	IVB WK 2,5-K-2 ROT	Z7.267.0227.5	10
insulated (red) for lower level	3 pole	IVB WK 2,5-K-3 ROT	Z7.267.0327.5	10	IVB WK 2,5-K-3 ROT	Z7.267.0327.5	10
	up to 12 pole	IVB WK 2,5-K-12 ROT	Z7.267.1227.5	10	IVB WK 2,5-K-12 ROT	Z7.267.1227.5	10
Jumper comb, elbowed	2 pole	IVB WK 2,5-K-2 BLAU	Z7.267.0227.6	10	IVB WK 2,5-K-2 BLAU	Z7.267.0227.6	10
insulated (blue) for lower level	3 pole	IVB WK 2,5-K-3 BLAU	Z7.267.0327.6	10	IVB WK 2,5-K-3 BLAU	Z7.267.0327.6	10
	up to 12 pole	IVB WK 2,5-K-12 BLAU	Z7.267.1227.6	10	IVB WK 2,5-K-12 BLAU	Z7.267.1227.6	10

For more accessories see pages 62-79
 For marking systems see pages 72-77

• The use of cross connectors (jumper combs), requires partitions in order to maintain the air and creepage distances.
 * 24 V~ with LED



WK 2,5 - 4 KI SL-PGN
WK 2,5 - 4 KI SL-PRT



WK 2,5-4 KI/SL

fine-stranded solid V A
 0.5-2.5mm² 0.5-4mm² 250V/4kV/3* 24
 No. 22-12 AWG 300V* 25
 No. 22-12 AWG 300V* 25
 6mm 7mm



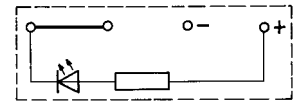
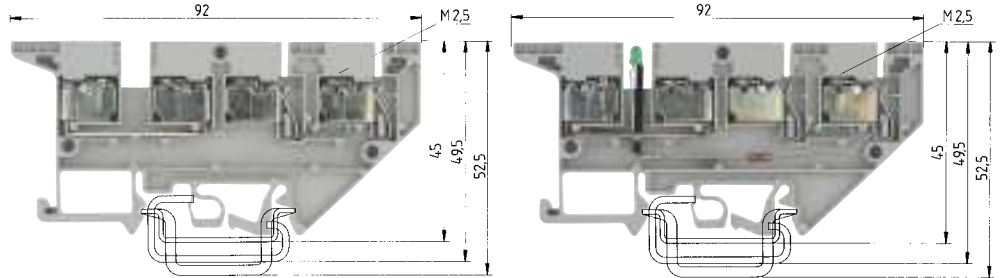
WK 2,5-3 D/SL

fine-stranded solid V A
 0.5-2.5mm² 0.5-4mm² 400V/6kV/3* 24
 No. 22-12 AWG 300V* 25
 No. 22-12 AWG 300V* 25
 6mm 7mm



Type	Part No.	Std. Pack	Type	Part No.	Std. Pack
WK 2,5 - 4 KI SL	56.503.7355.0	100			
			WK 2,5 - 3 D SL	56.503.8355.0	50
WK 2,5 - 4 KI SL-NGN	56.503.7455.0	100	WK 2,5 - 3 D SL-NGN	56.503.8455.0	50
WK 2,5 - 4 KI SL-PGN	56.503.7555.0	100	WK 2,5 - 3 D SL-PGN	56.503.8555.0	50
WK 2,5 - 4 KI SL-PRT	56.503.7655.0	100			
35 x 27 x 7,5 EN 60715	98.300.0000.0	1	35 x 27 x 7,5 EN 60715	98.300.0000.0	1
35 x 27 x 15 EN 60715	98.370.0000.0	1	35 x 27 x 15 EN 60715	98.370.0000.0	1
WE 1/U	Z5.523.5753.0	100	WE 1/U	Z5.523.5753.0	100
9708/2 S 35	Z5.522.8553.0	100	9708/2 S 35	Z5.522.8553.0	100
WEF 1/35	Z5.523.9353.0	100	WEF 1/35	Z5.523.9353.0	100
TW 2,5 - 4 K/U	07.312.0555.0	10	TW 2,5 - 3 D/U	07.312.1255.0	50
			IVB WK/3D-02	Z7.270.0227.0	10
			IVB WK/3D-03	Z7.270.0327.0	10
			IVB WK/3D-12	Z7.270.1227.0	10
IVB WK 2,5-K-2 ROT	Z7.267.0227.5	10	IVB WK 2,5-K-2 ROT	Z7.267.0227.5	10
IVB WK 2,5-K-3 ROT	Z7.267.0327.5	10	IVB WK 2,5-K-3 ROT	Z7.267.0327.5	10
IVB WK 2,5-K-12 ROT	Z7.267.1227.5	10	IVB WK 2,5-K-12 ROT	Z7.267.1227.5	10
IVB WK 2,5-K-2 BLAU	Z7.267.0227.6	10	IVB WK 2,5-K-2 BLAU	Z7.267.0227.6	10
IVB WK 2,5-K-3 BLAU	Z7.267.0327.6	10	IVB WK 2,5-K-3 BLAU	Z7.267.0327.6	10
IVB WK 2,5-K-12 BLAU	Z7.267.1227.6	10	IVB WK 2,5-K-12 BLAU	Z7.267.1227.6	10

Initiator blocks with screw connection



Indicator: R = 2.2 K 0,35W
Lamp color: green

EN 60947-7-1/DIN VDE 0611 T1

UL ratings

CSA ratings

Width

Approvals

Field/factory wiring

Wire strip length

WK 2,5-4 KOI/U

fine-stranded solid V A
0.5-2.5mm² 0.5-4mm² 400V/6kV/3 16*
No. 22-12 AWG 300V 20/30
No. 22-12 AWG 300V 25
5mm 10mm

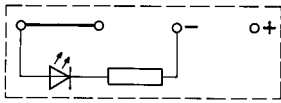
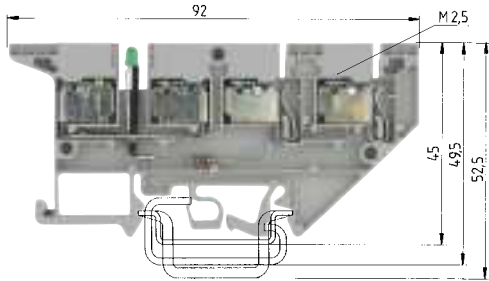


WK 2,5-4 KOI/U-NGN

fine-stranded solid V A
0.5-2.5mm² 0.5-4mm² 24 DC 16*
No. 22-12 AWG 24V 20/30
No. 22-12 AWG 24V 25
5mm 10mm



Initiator block		Type	Part No.	Std. Pack	Type	Part No.	Std. Pack
Initiator block	gray	WK 2,5-4 KOI/U	57.503.7055.0	50			
with LED (green) between signal and plus	gray				WK 2,5-4 KOI/U-NGN	57.503.7155.0	50
with LED (green) between signal and minus	gray						
Accessories							
1. Mounting rail TS 35, DIN rail 7.5 mm high	L=2m	35 x 27 x 7,5 EN 60715	98.300.0000.0	1	35 x 27 x 7,5 EN 60715	98.300.0000.0	1
Mounting rail TS 35, DIN rail, 15 mm high	L=2m	35 x 27 x 15 EN 60715	98.370.0000.0	1	35 x 27 x 15 EN 60715	98.370.0000.0	1
Mounting rail TS 32, G rail	L=2m	9006 EN 60715 G-32	98.190.0000.0	1	9006 EN 60715 G-32	98.190.0000.0	1
2. End clamp with U-foot	10 mm wide	WE 1/U	Z5.523.5753.0	100	WE 1/U	Z5.523.5753.0	100
End clamp TS 35, with screw	8 mm wide	9708/2 S 35	Z5.522.8553.0	100	9708/2 S 35	Z5.522.8553.0	100
End clamp TS 35, without screw	8 mm wide	WEF 1/35	Z5.523.9353.0	100	WEF 1/35	Z5.523.9353.0	100
3. End plate	gray	AP 2,5-4 KO	07.310.9355.0	50	AP 2,5-4 KO	07.310.9355.0	50
	blue						
4. Partition	gray	TW 2,5-4 KO	07.310.9455.0	50	TW 2,5-4 KO	07.310.9455.0	50
5. Cross connector with screws	2 pole	VB WK 2,5-2	Z7.280.0227.0	10			
for signal feed through	3 pole	VB WK 2,5-3	Z7.280.0327.0	10			
	up to 6 pole	VB WK 2,5-6	Z7.280.0627.0	10			
Cross connector	2 pole	VB WK 2,5 KO-2	07.257.0227.0	100	VB WK 2,5 KO-2	07.257.0227.0	100
for voltage supply	3 pole	VB WK 2,5 KO-3	07.257.0327.0	100	VB WK 2,5 KO-3	07.257.0327.0	100
	up to 20 pole	VB WK 2,5 KO-20	07.257.2027.0	50	VB WK 2,5 KO-20	07.257.2027.0	50
6. Partition plate with marking facility		TS 2,5 GELB	07.311.2053.8	10	TS 2,5 GELB	07.311.2053.8	10
7. Single cover with marking facility		AD VB 2,5 GELB	04.326.2053.8	10	AD VB 2,5 GELB	04.326.2053.8	10
8. Cover strip for cross connectors over 10 blocks		AD VB 5/10	04.342.0556.0	10	AD VB 5/10	04.342.0556.0	10
9. Tear-off marking strip, red, marked "+"	red	9705 A/5/10 B + ROT	04.855.0253.5	25	9705 A/5/10 B + ROT	04.855.0253.5	25
Tear-off marking strip, blue, marked "-"	blue	9705 A/5/10 B - BLAU	04.855.0353.6	25	9705 A/5/10 B - BLAU	04.855.0353.6	25
For more accessories see pages 62-79							
For marking systems see pages 72-77							
* Feed-through 16 A							



Indicator: R = 2.2 K 0,35W
Lamp color: green

WK 2,5-4 KOI/U-PGN

fine-stranded	solid	V	A
0,5-2,5 mm ²	0,5-4 mm ²	24 DC	16*
No. 22-12 AWG		24V	20/30
No. 22-12 AWG		24V	25
5mm			10mm



Type	Part No.	Std. Pack
WK 2,5-4 KOI/U-PGN	57.503.7255.0	50
35 x 27 x 7,5 EN 60715	98.300.0000.0	1
35 x 27 x 15 EN 60715	98.370.0000.0	1
9006 EN 60715 G-32	98.190.0000.0	1
WE 1/U	Z5.523.5753.0	100
9708/2 S 35	Z5.522.8553.0	100
WEF 1/35	Z5.523.9353.0	100
AP 2,5-4 KO	07.310.9355.0	50
TW 2,5-4 KO	07.310.9455.0	50
VB WK 2,5 KO-2	07.257.0227.0	100
VB WK 2,5 KO-3	07.257.0327.0	100
VB WK 2,5 KO-20	07.257.2027.0	50
TS 2,5 GELB	07.311.2053.8	10
AD VB 2,5 GELB	04.326.2053.8	10
AD VB 5/10	04.342.0556.0	10
9705 A/5/10 B + ROT	04.855.0253.5	25
9705 A/5/10 B - BLAU	04.855.0353.6	25

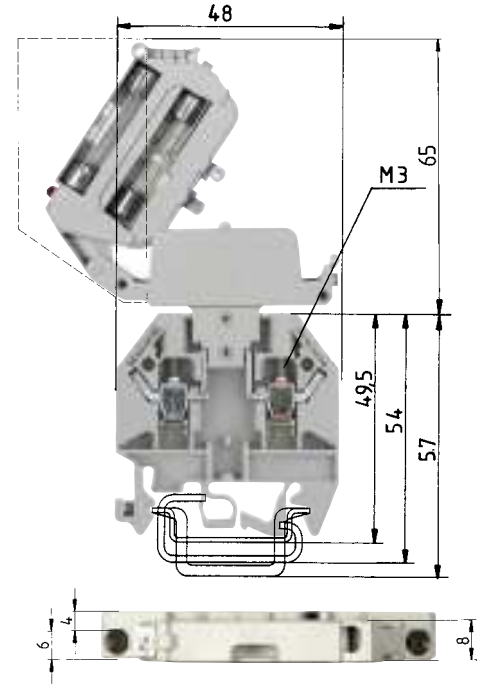
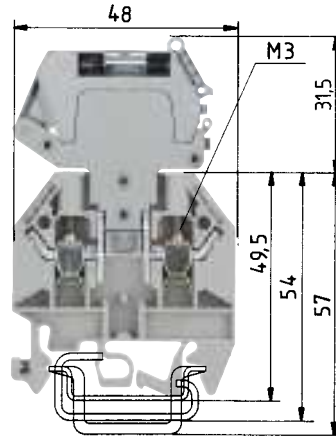
Fuse blocks with screw connection

When selecting G fuse inserts, make sure that the specified maximum power loss is not exceeded.¹⁾
 The current is determined by the inserted fuse.¹⁾
 The voltage range is determined by the built-in LED display.²⁾
 Depending on the application and the installation method, the possibility of increased temperature must be checked in the closed fuse holders.
 Higher ambient temperatures mean additional stress for the fuse inserts. Therefore, the reduction of the rated current must be considered accordingly in these applications.

Indicator (24 V): Lamp color: red
 Power consumption: 10.3 mA
 Indicator (220 V): Lamp color: red
 Power consumption: 0.3 mA

¹⁾ Maximum power loss at 23°C ambient temperature (according to DIN EN 60947-7-3)

Type	Rated Voltage	Overload protection		Exclusive short-circuit protection	
		Single arrangement	Group arrangement	Single arrangement	Group arrangement
THSi 5x20	250 V	1.6 W	1.6 W	4.0 W	2.5 W
THSi 6.3x32	500 V	2.5 W	1.6 W	4.0 W	4.0 W



EN 60947-7-1/DIN VDE 0611 Teil 1

EN 60127-6/DIN VDE 0820 T6

UL ratings

Field / factory wiring

CSA ratings

Width

Wire strip length

Approvals

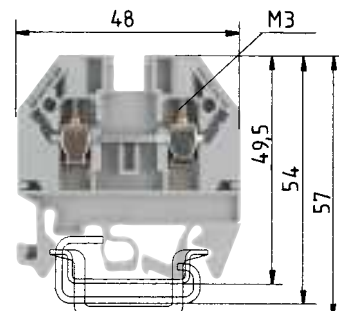
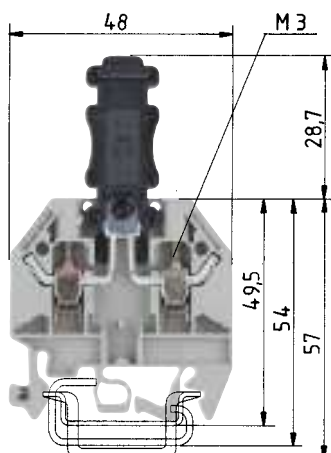
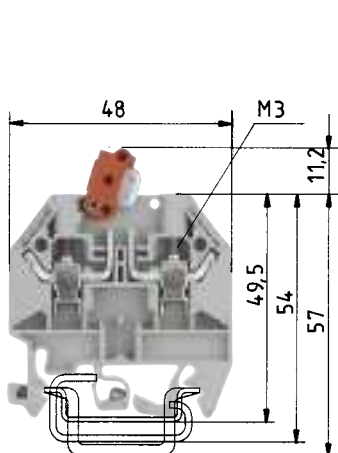
WK 4 TKG... with THSi 5x20

fine-stranded solid V
 0.5-4 mm² 0.5-6 mm² 800 V/8 kV/3²⁾
 No. 22-10 AWG 300 V²⁾
 No. 20-10 AWG 250 V²⁾
 6 mm

WK 4 TKG... with THSi 6,3x32

A fine-stranded solid V A
¹⁾ 0.5-4 mm² 0.5-6 mm² 800 V/8 kV/3²⁾ ¹⁾
 No. 22-10 AWG 300 V²⁾ 10¹⁾
 No. 20-10 AWG 250 V²⁾ 6.3¹⁾
 9 mm 6 mm 9 mm

		Type	Part No.	Std. Pack	Type	Part No.	Std. Pack
Disconnect base block	gray	WK 4 TKG/U	57.504.4055.0	100	WK 4 TKG/U	57.504.4055.0	100
Fuse disconnect lever	gray	THSi 5x20	Z1.298.1053.0	10	THSi 6,3x32	Z1.298.1653.0	10
Fuse disconnect lever with LED 12-24 V ²⁾	gray	THSi 5x20 LED24	Z1.298.1153.0	10	THSi 6,3x32 LED24	Z1.298.1753.0	10
Fuse disconnect lever with LED 24-60 V ²⁾	gray	THSi 5x20 LED60	Z1.298.1253.0	10	THSi 6,3x32 LED60	Z1.298.1853.0	10
Fuse disconnect lever with GL 110-250 V ²⁾	gray	THSi 5x20 GL250	Z1.298.1353.0	10	THSi 6,3x32 GL250	Z1.298.1953.0	10
Knife edge disconnect block	gray						
Knife edge disconnect block	blue						
with 2 test bolts	gray						
Invertible plug disconnect block	gray						
with 2 test bolts	gray						
Feed-through block	gray						
Accessories							
1. Mounting rail TS 35, DIN rail 7.5 mm high	L=2 m	35 x 27 x 7,5 EN 60715	98.300.0000.0	1	35 x 27 x 7,5 EN 60715	98.300.0000.0	1
Mounting rail TS 35, DIN rail, 15 mm high	L=2 m	35 x 27 x 15 EN 60715	98.370.0000.0	1	35 x 27 x 15 EN 60715	98.370.0000.0	1
Mounting rail TS 32, G rail	L=2 m	9006 EN 60715 G-32	98.190.0000.0	1	9006 EN 60715 G-32	98.190.0000.0	1
2. End clamp with U-foot	10 mm wide	WE 1/U	Z5.523.5753.0	100	WE 1/U	Z5.523.5753.0	100
End clamp TS 35, with screw	8 mm wide	9708/2 S 35	Z5.522.8553.0	100	9708/2 S 35	Z5.522.8553.0	100
End clamp TS 35, without screw	8 mm wide	WEF 1/35	Z5.523.9353.0	100	WEF 1/35	Z5.523.9353.0	100
3. End plate	gray	AP 4 TK	07.311.6155.0	10	AP 4 TK	07.311.6155.0	10
	blue						
4. Partition	gray	TW 4 TK	07.311.8155.0	10	TW 4 TK	07.311.8155.0	10
5. Jumper comb	2 pole	IVB 1 WK 4..-2	Z7.255.4227.0	10	IVB 1 WK 4..-2	Z7.255.4227.0	10
insulated	3 pole	IVB 1 WK 4..-3	Z7.255.4327.0	10	IVB 1 WK 4..-3	Z7.255.4327.0	10
	up to 6 pole	IVB 1 WK 4..-6	Z7.255.4627.0	10	IVB 1 WK 4..-6	Z7.255.4627.0	10
For more accessories see pages 62-79							
For marking systems see pages 72-77							



The disconnecting knife in these WK versions swings in and out on a pivot point. The distinctive color of the disconnecting lever signals the open state. The terminals can be connected with the lever open or closed. Designs with a different number and arrangement of test sockets permit reliable measurements using the test plug.

The isolating connector is detachable and can be fitted as a dummy plug. This signals the open state. Designs with different numbers of test sockets permit reliable measurements using the test plug.

Same dimensions as types WK 4 TKG/U and WK 4/TKM/U

WK 4/TKM

fine-stranded solid V A
 0.5-4 mm² 0.5-6mm² 800V/8kV/3* 20
 No. 22-10 AWG 600V 20
 No. 22-10 AWG 600V* 20
 6mm 9mm

WK 4 TKG-TRST/U

fine-stranded solid V A
 0.5-4 mm² 0.5-6mm² 800V/8kV/3* 20
 No. 22-10 AWG 300V 10
 No. 22-10 AWG 600V* 20
 6mm 9mm

WK 4 TKS D/U

fine-stranded solid V A
 0.5-4 mm² 0.5-6mm² 800V/8kV/3 32
 No. 22-10 AWG 300V 25
 No. 20-10 AWG 600V 20
 6mm 9mm

Type	Part No.	Std. Pack	Type	Part No.	Std. Pack	Type	Part No.	Std. Pack
WK 4/TKM/U	57.504.2055.0	100	WK 4 TKG-TRST/U	57.504.4555.0	100	WK 4 TKS D/U	57.504.4455.0	100
WK 4/TKM/U BLAU	57.504.2055.6	100	WK 4 TKG-TRST P3/U	57.504.4855.0	100			
WK 4/TKM/P3/U	57.504.2355.0	100						
35 x 27 x 7,5 EN 60715	98.300.0000.0	1	35 x 27 x 7,5 EN 60715	98.300.0000.0	1	35 x 27 x 7,5 EN 60715	98.300.0000.0	1
35 x 27 x 15 EN 60715	98.370.0000.0	1	35 x 27 x 15 EN 60715	98.370.0000.0	1	35 x 27 x 15 EN 60715	98.370.0000.0	1
9006 EN 60715 G-32	98.190.0000.0	1	9006 EN 60715 G-32	98.190.0000.0	1	9006 EN 60715 G-32	98.190.0000.0	1
WE 1/U	Z5.523.5753.0	100	WE 1/U	Z5.523.5753.0	100	WE 1/U	Z5.523.5653.0	100
9708/2 S 35	Z5.522.8553.0	100	9708/2 S 35	Z5.522.8553.0	100	9708/2 S 35	Z5.522.8553.0	100
WEF 1/35	Z5.523.9353.0	100	WEF 1/35	Z5.523.9353.0	100	WEF 1/35	Z5.523.9353.0	100
AP 4 TK	07.311.6155.0	10	AP 4 TK	07.311.6155.0	10	AP 4 TK	07.311.6155.0	10
AP 4 TK BLAU	07.311.6155.6	10						
TW 4 TK	07.311.8155.0	10	TW 4 TK	07.311.8155.0	10	TW 4 TK	07.311.8155.0	10
IVB 1 WK 4..-2	Z7.255.4227.0	10	IVB 1 WK 4..-2	Z7.255.4227.0	10	IVB 1 WK 4..-2	Z7.255.4227.0	10
IVB 1 WK 4..-3	Z7.255.4327.0	10	IVB 1 WK 4..-3	Z7.255.4327.0	10	IVB 1 WK 4..-3	Z7.255.4327.0	10
IVB 1 WK 4..-6	Z7.255.4627.0	10	IVB 1 WK 4..-6	Z7.255.4627.0	10	IVB 1 WK 4..-6	Z7.255.4627.0	10
* Version with test bolt: CSA: 300V EN 60 947-7-1/DIN VDE 0611 T1 -690V/6kV/3 Test bolt can be loaded with 1A			* Version with test bolt: CSA: 300V EN 60 947-7-1/DIN VDE 0611 T1 -690V/6kV/3 Test bolt can be loaded with 1A					

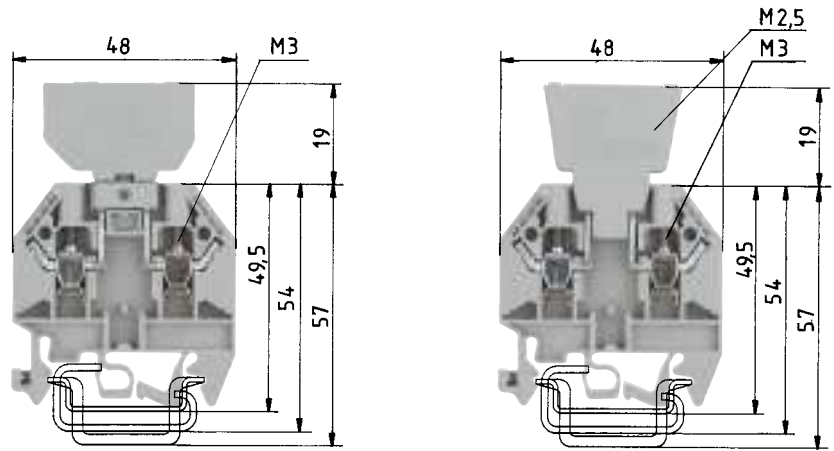
Fuse blocks with screw connection

When selecting G fuse inserts, make sure that the specified maximum power loss is not exceeded.¹⁾
 The current is determined by the inserted fuse.¹⁾
 The voltage range is determined by the built-in LED display.²⁾
 Depending on the application and the installation method, the possibility of increased temperature must be checked in the closed fuse holders.
 Higher ambient temperatures are an additional load for the fuse inserts. Therefore, the reduction of the rated current must be considered accordingly in these applications.

Indicator (24 V): Lamp color: red
 Power consumption: 10,3mA
 Indicator (220 V): Lamp color: red
 Power consumption: 0.3mA

¹⁾ Maximum power loss at 23°C ambient temperature (according to DIN EN 60947-7-3)

Typ	Rated Voltage	Overload protection		Exclusive short-circuit protection	
		Single arrangement	Group arrangement	Single arrangement	Group arrangement
SIST	250 V	1.6W	1.6W	2.5W	1.6W



EN 60947-7-1/DIN VDE 0611 Teil 1
 EN 60 127-6/DIN VDE 0820 T6
 UL ratings
 CSA ratings
 Width
 Approvals

Field/factory wiring
 Wire strip length

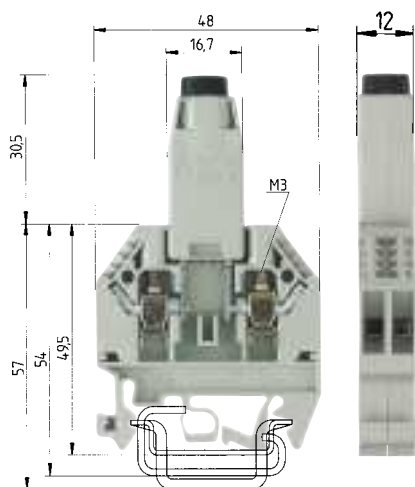
WK 4 TKG... SIST

fine-stranded solid V
 0.5-4 mm² 0.5-6mm² 800V/8kV/3²⁾
 No. 22-10 AWG 300V
 No. 20-10 AWG 250V
 6mm

WK 4 TKG... DIST

fine-stranded solid V A
¹⁾ 0.5-4 mm² 0.5-6mm² 800V/8kV/3
 10 No. 22-10 AWG 300V 10
 6.3 No. 20-10 AWG 250V 6,3
 9mm 6mm 9mm

		Type	Part No.	Std. Pack	Type	Part No.	Std. Pack	
Disconnect block		gray	WK 4 TKG/U	57.504.4055.0	100	WK 4 TKG/U	57.504.4055.0	100
Fuse holder for 5x20 fuse		gray	Si ST	Z1.299.4055.0	10			
Fuse holder with LED 24-60V		gray	Si ST LED	Z1.299.4155.0	10			
Fuse holder with GL 220V		gray	Si ST GL	Z1.299.4255.0	10			
Diode plug, without contacts		gray			DIST ...	Z1.299.3055.0	10	
Diode plug - diode	$I_{max} = 1A$	gray			DIST-1 N 4007-1 ³⁾	Z1.299.3155.0	10	
Diode plug - diode	$I_{max} = 1A$	gray			DIST-1 N 4007-2 ⁴⁾	Z1.299.3355.0	10	
Diode plug with jumper	$I_{max} = 10A$	gray			DIST-D	Z1.299.3255.0	10	
Fuse block		gray			The current carrying load depends on the component used. Temporary peak voltage 1000V.			
with G-screw cap B DIN 41674, 5x25mm					Pole assignment of the diode:	Anode Cathode ³⁾	Cathode ³⁾ Anode ⁴⁾	
with G-screw cap A DIN 41674, 5x20mm								
Accessories								
1. Mounting rail TS 35, DIN rail 7.5mm high	L = 2m	35 x 27 x 7,5 EN 60715	98.300.0000.0	1	35 x 27 x 7,5 EN 60715	98.300.0000.0	1	
Mounting rail TS 35, DIN rail, 15mm high	L = 2m	35 x 27 x 15 EN 60715	98.370.0000.0	1	35 x 27 x 15 EN 60715	98.370.0000.0	1	
Mounting rail TS 32, G rail	L = 2m	9006 EN 60715 G-32	98.190.0000.0	1	9006 EN 60715 G-32	98.190.0000.0	1	
2. End clamp with U-foot	10mm wide	WE 1/U	Z5.523.5753.0	100	WE 1/U	Z5.523.5753.0	100	
End clamp TS 35, with screw	8mm wide	9708/2 S 35	Z5.522.8553.0	100	9708/2 S 35	Z5.522.8553.0	100	
End clamp TS 35, without screw	8mm wide	WEF 1/35	Z5.523.9353.0	100	WEF 1/35	Z5.523.9353.0	100	
3. End plate	gray	AP 4 TK	07.311.6155.0	10	AP 4 TK	07.311.6155.0	10	
	blue							
4. Partition	gray	TW 4 TK	07.311.8155.0	10	TW 4 TK	07.311.8155.0	10	
5. Jumper comb	2 pole	IVB 1 WK 4..-2	Z7.255.4227.0	10	IVB 1 WK 4..-2	Z7.255.4227.0	10	
insulated	3 pole	IVB 1 WK 4..-3	Z7.255.4327.0	10	IVB 1 WK 4..-3	Z7.255.4327.0	10	
	up to 6 pole	IVB 1 WK 4..-6	Z7.255.4627.0	10	IVB 1 WK 4..-6	Z7.255.4627.0	10	
For more accessories see pages 62-79								
For marking systems see pages 72-77								



WK 4/Si-D/U 5 x 25

fine-stranded solid V A
 0.5-4 mm² 0.5-6mm² 800V/8kV/3 6,3

No. 20-10 AWG 250V 10
 12mm 9mm



Type	Part No.	Std. Pack
WK 4/Si-D/U 5 x 25	57.504.1655.0	50
WK 4/Si-D/U 5 x 20	57.504.1755.0	50
35 x 27 x 7,5 EN 60715	98.300.0000.0	1
35 x 27 x 15 EN 60715	98.370.0000.0	1
9006 EN 60715 G-32	98.190.0000.0	1
WE 1/U	Z5.523.5753.0	100
9708/2 S 35	Z5.522.8553.0	100
WEF 1/35	Z5.523.9353.0	100
AP 4 TK	07.311.6155.0	10
TW 4 TK	07.311.8155.0	10
IVB 1 WK 4.-2	Z7.255.4227.0	10
IVB 1 WK 4.-3	Z7.255.4327.0	10
IVB 1 WK 4.-6	Z7.255.4627.0	10

Fuse blocks with screw connection

The fuse blocks of this type have a flip top disconnect lever. It accepts fine-wire fuses of 5x20, 5x25 and 5x30mm (terminal width: 8mm) or 6.3x32mm (terminal width: 10mm). The hinged lever has latch points both in the open and in the closed state, and can be sealed.

All terminal blocks are available in two different versions, i.e. with or without red LEDs functioning as indicators.

¹⁾ When selecting G fuse inserts, make sure that the specified maximum power loss is not exceeded. The current is determined by the inserted fuse.

²⁾ The voltage range is determined by the built-in LED display. Depending on the application and the installation method, the circumstances for increased temperature must be checked in the closed fuse holders. Higher ambient temperatures are an additional load for the fuse inserts. Therefore, the reduction of the rated current must be considered accordingly in these applications.

¹⁾ Maximum power loss at 23°C ambient temperature (according to DIN EN 60947-7-3)

Type	Rated-voltage	Overload protection		Exclusive short-circuit protection	
		Single arrangement	Group arrangement	Single arrangement	Group arrangement
THSi 5x20/25	250 V	1.6W	1.6W	4.0W	2.5W
THSi 6,3x32	500 V	2.5W	2.5W	4.0W	2.5W
THSi 5x30	500 V	1.6W	1.6W	4.0W	2.5W

EN 60947-7-1, EN 60 127-6

UL ratings

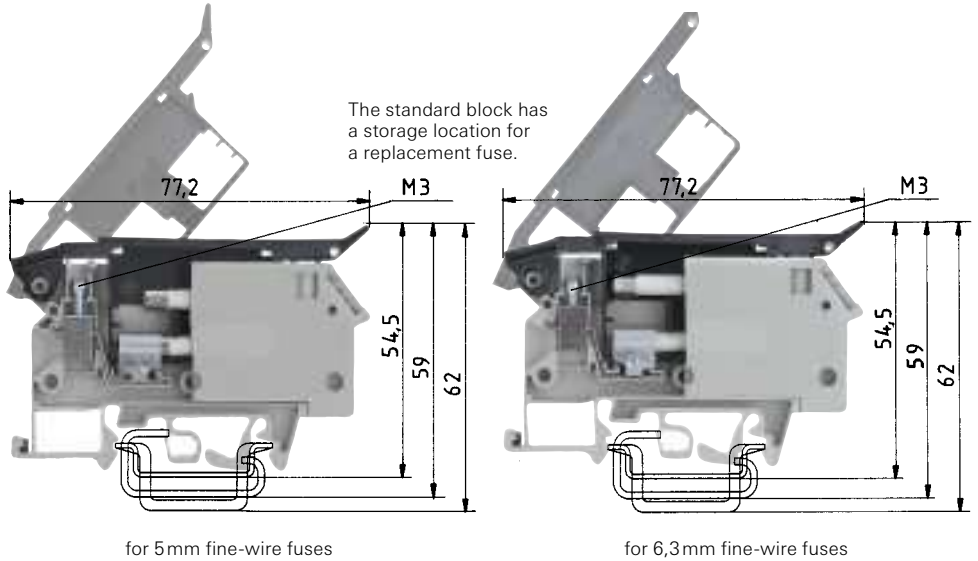
CSA ratings

Width

Approvals

Field/factory wiring

Wire strip length



The standard block has a storage location for a replacement fuse.

WK 4 THSi 5... /U

fine-stranded solid

0.5-4 mm² 0.5-6 mm²

No. 22-10 AWG

No. 22-10 AWG

8 mm



V

800V/8kV/3²⁾

600V²⁾

600V²⁾

A

6.3¹⁾

15

6.3

8 mm

WK 4 THSi 6,3... /U

fine-stranded solid

0.5-4 mm² 0.5-6 mm²

No. 22-10 AWG

No. 22-10 AWG

10 mm



V

800V/8kV/3²⁾

600V²⁾

600V²⁾

A

10¹⁾

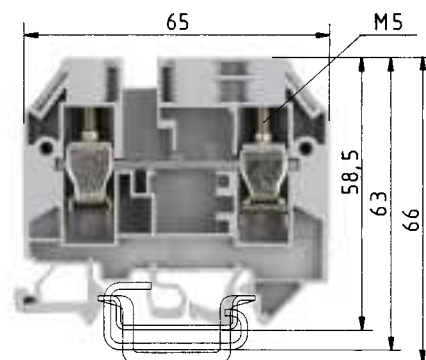
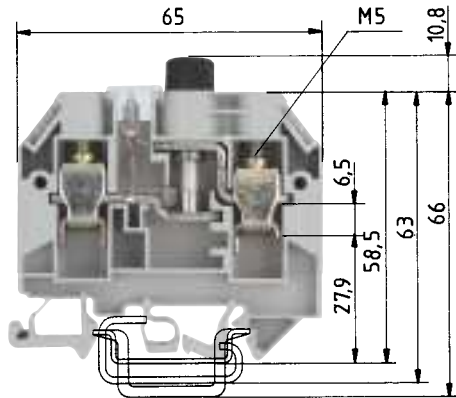
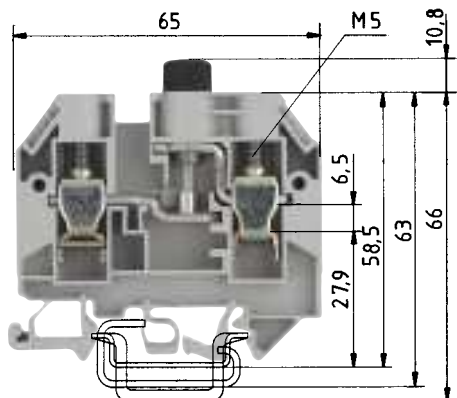
15

10

8 mm

Fuse block		Type	Part No.	Std. Pack	Type	Part No.	Std. Pack
	gray	WK 4/THSi 5 ... U	57.904.5355.0	50	WK 4/THSi 6,3 ... U	57.904.6355.0	50
- with LED	5 - 12 V~/I ^{max} current consumed. 2.3 - 7 mA	WK 4/THSi 5 LED 12 U	57.904.5455.0	50	WK 4/THSi 6,3 LED 12 U	57.904.6455.0	50
- with LED	12 - 24 V~/I ^{max} current consumed. 2.8 - 6,2 mA	WK 4/THSi 5 LED 24 U	57.904.5555.0	50	WK 4/THSi 6,3 LED 24 U	57.904.6555.0	50
- with LED	24 - 60 V~/I ^{max} current consumed. 1.5 - 4 mA	WK 4/THSi 5 LED 60 U	57.904.5655.0	50	WK 4/THSi 6,3 LED 60 U	57.904.6655.0	50
- with GL	110 - 250 V~/I ^{max} current consumed. 0.13 - 0.55 mA	WK 4/THSi 5 GL 250 U	57.904.5755.0	50	WK 4/THSi 6,3 GL 250 U	57.904.6755.0	50
- with GL	380 - 500 V~/I ^{max} current consumed. 0.2 - 0.3 mA	WK 4/THSi 5 GL 500 U	57.904.5855.0	50	WK 4/THSi 6,3 GL 500 U	57.904.6855.0	50
Fuse block gray							
- with screw cap A DIN 41674 for G-fuses DIN 41571							
- with screw cap B DIN 41674 for G fuses DIN 41576							
- with screw cap A DIN 41674 for G-fuses							
- with screw cap for G-fuses							
Feed-through block , same dimensions as fuse block gray							
Accessories							
1. Mounting rail TS 35, DIN rail 7.5 mm high	L = 2 m	35 x 27 x 7,5 EN 60715	98.300.0000.0	1	35 x 27 x 7,5 EN 60715	98.300.0000.0	1
Mounting rail TS 35, DIN rail, 15 mm high	L = 2 m	35 x 27 x 15 EN 60715	98.370.0000.0	1	35 x 27 x 15 EN 60715	98.370.0000.0	1
Mounting rail TS 32, G rail	L = 2 m	9006 EN 60715 G-32	98.190.0000.0	1	9006 EN 60715 G-32	98.190.0000.0	1
2. End clamp with U-foot	10 mm wide	WE 1/U	Z5.523.5753.0	100	WE 1/U	Z5.523.5753.0	100
End clamp TS 35, with screw	8 mm wide	9708/2 S 35	Z5.522.8553.0	100	9708/2 S 35	Z5.522.8553.0	100
End clamp TS 35, without screw	8 mm wide	WEF 1/35	Z5.523.9353.0	100	WEF 1/35	Z5.523.9353.0	100
3. End plate	gray						
4. Cross connector with screws	2 pole						
	3 pole						
	up to 6 pole						
5. Transparent block cover (for 1 block)							
For more accessories see pages 62-79							
For marking systems see pages 72-77							

Type	Overload protection		Exclusive short-circuit protection	
	Single arrangement	Group arrangement	Single arrangement	Group arrangement
WK 10 Si U 5x20	4.0W/6.3A	2.5W/6.3A	4.0W/6.3A	4.0W/6.3A
WK 10 Si U 6.3x32	4.0W/10A	2.5W/2.5A	4.0W/10A	2.5W/2.5A
WK 10 Si U 5x25	4.0W/6.3A	2.5W/6.3A	4.0W/6.3A	4.0W/6.3A
WK 10 Si U 5x30	4.0W/6.3A	2.5W/6.3A	4.0W/6.3A	4.0W/6.3A

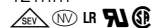


*) Voltage and current are determined by the built-in LED and the inserted G-fuse.

*) Voltage and current are determined by the built-in indicator and the inserted G-fuse.

WK 10/SI ... /U

fine-stranded	solid/stranded	V	A
1.0-10mm ²	1.0-16mm ²	500V/6kV/3*)	10*)
No. 22-6 AWG		600V*)	15
No. 16-6 AWG		600V*)	max. 15
12mm			13mm



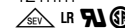
WK 10/SI ... /U mit Kennmelder

fine-stranded	solid/stranded	V	A
1.0-10mm ²	1.0-16mm ²	500V/6kV/3*)max.10*)	
No. 22-6 AWG		600V*)	15
No. 16-6 AWG		600V*)	max. 15
12mm			13mm



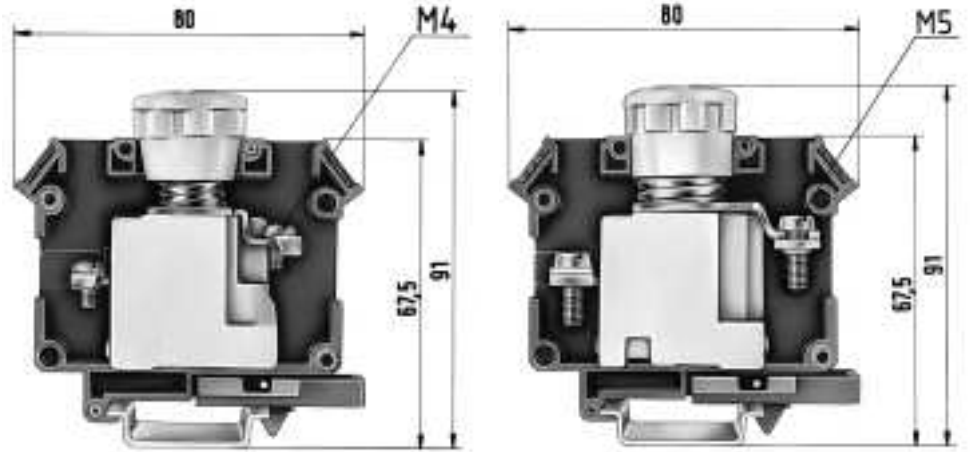
WK 10/SI U D

fine-stranded	solid/stranded	V	A
1.0-10mm ²	1.0-16mm ²	500V/6kV/3	57
No. 22-6 AWG		600 V	50
No. 16-6 AWG		600 V	65
12mm			13mm



Type	Part No.	Std. Pack	Type	Part No.	Std. Pack	Type	Part No.	Std. Pack
WK 10/Si U 5 x 20	57.910.5055.0	50	WK 10/Si U 5 x 20M, NGL	57.910.5455.0	50	WK 10/Si U D	57.910.4955.0	50
WK 10/Si U 5 x 25	57.910.5155.0	50	WK 10/Si U 5 x 20M, GLB	57.910.5855.0	50			
WK 10/Si U 5 x 30	57.910.5255.0	50	WK 10/Si U 6,3 x 32M, NGL	57.910.5755.0	50			
WK 10/Si U 6,3 x 32	57.910.5355.0	50	WK 10/Si U 6,3 x 32M, GLB	57.910.6155.0	50			
35 x 27 x 7,5 EN 60715	98.300.0000.0	1	35 x 27 x 7,5 EN 60715	98.300.0000.0	1	35 x 27 x 7,5 EN 60715	98.300.0000.0	1
35 x 27 x 15 EN 60715	98.370.0000.0	1	35 x 27 x 15 EN 60715	98.370.0000.0	1	35 x 27 x 15 EN 60715	98.370.0000.0	1
9006 EN 60715 G-32	98.190.0000.0	1	9006 EN 60715 G-32	98.190.0000.0	1	9006 EN 60715 G-32	98.190.0000.0	1
WE 1/U	Z5.523.5753.0	100	WE 1/U	Z5.523.5753.0	100	WE 1/U	Z5.523.5753.0	100
9708/2 S 35	Z5.522.8553.0	100	9708/2 S 35	Z5.522.8553.0	100	9708/2 S 35	Z5.522.8553.0	100
WEF 1/35	Z5.523.9353.0	100	WEF 1/35	Z5.523.9353.0	100	WEF 1/35	Z5.523.9353.0	100
AP 10/Si	07.311.4155.0	10	AP 10/Si	07.311.4155.0	10	AP 10/Si	07.311.4155.0	10
VB WK 10/Si-2	Z7.287.0227.0	10	VB WK 10/Si-2	Z7.287.0227.0	10	VB WK 10/Si-2	Z7.287.0227.0	10
VB WK 10/Si-3	Z7.287.0327.0	10	VB WK 10/Si-3	Z7.287.0327.0	10	VB WK 10/Si-3	Z7.287.0327.0	10
VB WK 10/Si-6	Z7.287.0627.0	10	VB WK 10/Si-6	Z7.287.0627.0	10	VB WK 10/Si-6	Z7.287.0627.0	10
	04.312.2056.0	100		04.312.2056.0	100		04.312.2056.0	100
*)	VDE	CSA	UL	*)	VDE	CSA	UL	
57.910.5055.0	250V~	600V	600V	57.910.5455.0	110 - 250V~	500V	150V	
				Indicator red	Current consumed 0.16 - 0.8mA			
57.910.5155.0	250V~	600V	600V	57.910.5855.0	28V~	28V	28V	
				Indicator yellow	Current consumed 24mA			
57.910.5255.0	500V~	600V	600V	57.910.5755.0	110 - 500V~	500V	150V	
				Indicator red	Current consumed 0.16 - 0.8mA			
57.910.5355.0	500V~	600V	600V	57.910.6155.0	28V~	28V	28V	
				Indicator yellow	Current consumed 24mA			

Fuse blocks with screw connection



*) Current and voltage are determined by the fuse

DIN VDE 0636
UL ratings
CSA ratings
Width
Approvals

Field/factory wiring

Wire strip length

9700 B/30 Si E 14/S 35

fine-stranded solid
1.5-4 mm² 1.5-4 mm²

2 - 16 A

V A
400 V~*) 16*)

9700 B/30 Si E 18/S 35

fine-stranded solid/stranded
1.5-25 mm² 1.5-25 mm²

2-63 A

V A
400 V~*) 63*)

30 mm



10 mm

30 mm



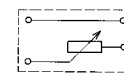
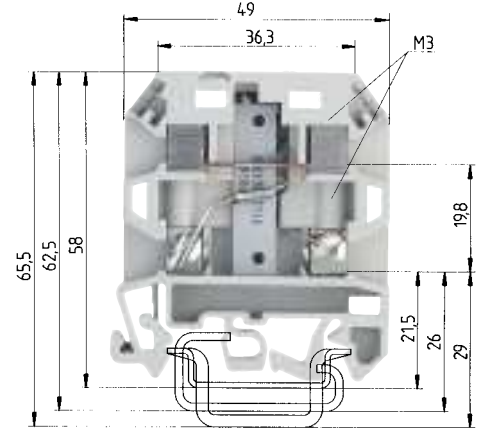
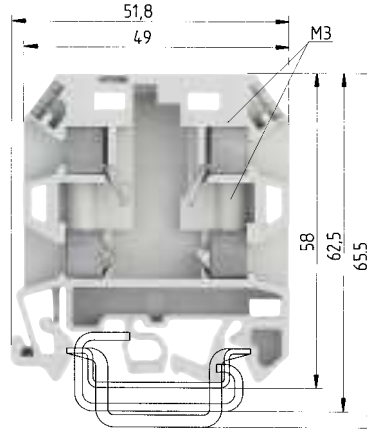
12 mm

Fuse block	Type	Part No.	Std. Pack	Type	Part No.	Std. Pack
	9700 B/30 Si E 14/S 35	56.904.4055.0	20	9700 B/30 Si E 18/S 35	56.925.4055.0	20
Accessories						
1. Mounting rail TS 35, DIN rail 7.5 mm high L = 2 m	35 x 27 x 7,5 EN 60715	98.300.0000.0	1	35 x 27 x 7,5 EN 60715	98.300.0000.0	1
Mounting rail TS 35, DIN rail, 15 mm high L = 2 m	35 x 27 x 15 EN 60715	98.370.0000.0	1	35 x 27 x 15 EN 60715	98.37.0000.0	1
Mounting rail TS 32, G rail L = 2 m						
2. End clamp with U-foot 10 mm wide	WE 1/U	Z5.523.5753.0	100	WE 1/U	Z5.523.5753.0	100
End clamp TS 35, with screw 8 mm wide	9708/2 S 35	Z5.522.8553.0	100	9708/2 S 35	Z5.522.8553.0	100
End clamp TS 35, without screw 8 mm wide	WEF 1/35	Z5.523.9353.0	100	WEF 1/35	Z5.523.9353.0	100
3. NEOZED® adapter sleeve 2 A – pink		05.595.9200.0	50		05.595.5900.0	50
4 A – brown		05.595.9300.0	50		05.595.6000.0	50
6 A – green		05.595.9400.0	50		05.595.6100.0	50
10 A – red		05.595.9500.0	50		05.595.6200.0	50
16 A – gray					05.595.6300.0	50
20 A – blue					05.595.6400.0	50
25 A – yellow					05.595.6500.0	50
35 A – black					05.595.6600.0	50
50 A – white					05.595.6700.0	50
4. Retaining clip					05.549.0500.0	1
5. Cover cap		04.326.1053.0	100		04.326.1053.0	100
6. Jumper comb 6 pole					07.250.3027.0	25
10 pole					07.250.3127.0	10
For more accessories see pages 62-79						
For marking systems see pages 72-77						
NEOZED® = registered trademark of Siemens AG						

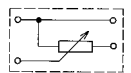
Function blocks with screw connection

Electrical specifications for the compensating terminal.

Resistor range: 0.25Ω bis 100Ω
 Resistor tolerance: ± 10%
 Resistor range: 100Ω bis 50 kΩ
 Resistor tolerance: ± 20%
 Limited continuous resistance value:
 0.75W bis 70°C
 Max. load: 100mA
 Temperature coefficient: 0 bis + 500 ppm/°C
 Max. operating voltage: 300V



as voltage divider



9786 U/12

fine-stranded solid V A
 0.5-2.5mm² 0.5-2.5mm² 800V/8kV/3*) 24*)
 No. 22-14 AWG 300 V 6
 12mm 9mm 12mm 9mm

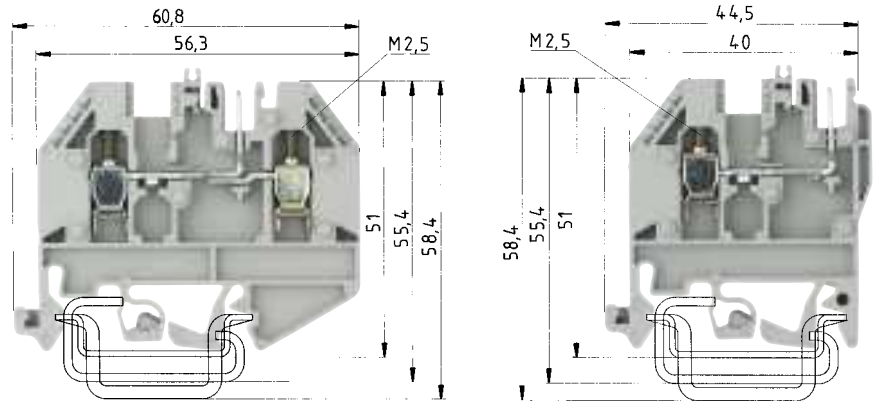
9785 U/... - SPT

fine-stranded solid V A
 0.5-2.5mm² 0.5-2.5mm² see description
 12mm 9mm 12mm 9mm

EN 60947-7-1/DIN VDE 0611 T1
 UL ratings Field/factory wiring
 CSA ratings
 Width Wire strip length
 Approvals

	Type	Part No.	Std. Pack	Type	Part No.	Std. Pack
Function blocks, empty	9786 U/12	57.904.2055.0	50			
with bridge rectifier B380 C1500	9786 U/12 G4	57.904.2555.0	50			
with optocoupler CNY 17/3	9786 U/12 OPK	57.904.2855.0	50			
Compensating terminal gray 10 Ω				9785 U/10 Ω	57.904.0055.0	50
with potentiometer 20 Ω				9785 U/20 Ω	57.904.0155.0	50
50 Ω				9785 U/50 Ω	57.904.0255.0	50
100 Ω				9785 U/100 Ω	57.904.0355.0	50
200 Ω				9785 U/200 Ω	57.904.0455.0	50
510 Ω				9785 U/500 Ω	57.904.0555.0	50
1 kΩ				9785 U/1 kΩ	57.904.0655.0	50
2 kΩ				9785 U/2 kΩ	57.904.0755.0	50
5 kΩ				9785 U/5 kΩ	57.904.0855.0	50
10 kΩ				9785 U/10 kΩ	57.904.0955.0	50
20 kΩ				9785 U/20 kΩ	57.904.1055.0	50
50 kΩ				9785 U/50 kΩ	57.904.1155.0	50
Compensating terminal gray 10 Ω				9785 U/10 Ω-SPT	57.904.3955.0	50
with potentiometer as voltage divider 20 Ω				9785 U/20 Ω-SPT	57.904.4155.0	50
50 Ω				9785 U/50 Ω-SPT	57.904.4255.0	50
100 Ω				9785 U/100 Ω-SPT	57.904.4355.0	50
200 Ω				9785 U/200 Ω-SPT	57.904.4455.0	50
510 Ω				9785 U/500 Ω-SPT	57.904.4555.0	50
1 kΩ				9785 U/1 kΩ-SPT	57.904.4655.0	50
2 kΩ				9785 U/2 kΩ-SPT	57.904.4755.0	50
5 kΩ				9785 U/5 kΩ-SPT	57.904.4855.0	50
10 kΩ				9785 U/10 kΩ-SPT	57.904.4955.0	50
20 kΩ				9785 U/20 kΩ-SPT	57.904.5055.0	50
50 kΩ				9785 U/50 kΩ-SPT	57.904.5155.0	50
Thermocouple terminal type T-Cu/CuNi 44						
Thermocouple terminal type E-NiCr/CuNi 44						
Thermocouple terminal type J-Fe/CuNi 44						
Thermocouple terminal type K-NiCr/Ni						
Thermocouple terminal type R-PtRh 13/Pt						
Ground disconnect 24 - 48V≅ with LED						
Ground disconnect 110 - 220V≅ with indicator lamp						

Feed-through blocks with *wiecon* pluggable connection

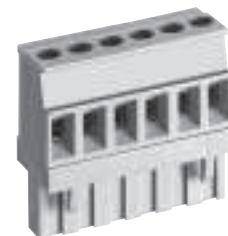
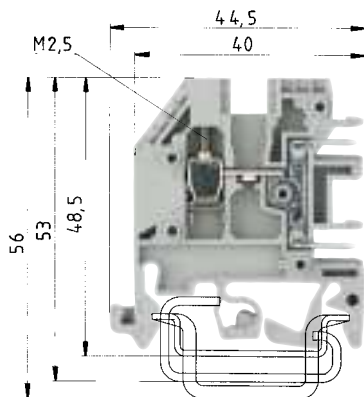


For PC board terminal type

Type 8113 B
Type 8313 B
Type 8113 B/VL
Type 8113 B/VR
Type 8113 B/Top

		WK 2,5 U/D/8113 S/V			WK 2,5 U/8113 S/V				
EN 60947-7-1/DIN VDE 0611 T1		fine-stranded	solid	V	A	fine-stranded	solid	V	A
UL ratings	Field/factory wiring	0.5-2.5mm ²	0.5-4mm ²	250V/4kV/3	12	0.5-2.5mm ²	0.5-4mm ²	250V/4kV/3	12
CSA ratings		No. 22-12 AWG		300V	15	No. 22-12 AWG		300V	15
Width	Wire strip length	No. 24-12 AWG		300V	15	No. 24-12 AWG		300V	15
Approvals		5mm			9mm	5mm			9mm

		Type	Part No.	Std. Pack	Type	Part No.	Std. Pack
Feed-through block	gray	WK 2,5 U/D/8113 S/V...	57.503.2155.0	50	WK 2,5 U/8113 S/V...	57.503.2655.0	50
Power block	gray	WK 2,5 U/D/8113 S/V/VK	57.503.2555.6	50	WK 2,5 U/8113 S/V/VK	57.503.3055.6	50
Feed-through block, with LED 25V	gray	WK 2,5 U/D/8113 S/V/LED 25	57.503.2255.0	50	WK 2,5 U/8113 S/V/LED 25	57.503.2755.0	50
Feed-through block, with LED 50V	gray	WK 2,5 U/D/8113 S/V/LED 50	57.503.2355.0	50	WK 2,5 U/8113 S/V/LED 50	57.503.2855.0	50
Accessories							
1. Mounting rail TS 35, DIN rail 7.5mm high	L = 2m	35 x 27 x 7,5 EN 60715	98.300.0000.0	1	35 x 27 x 7,5 EN 60715	98.300.0000.0	1
Mounting rail TS 35, DIN rail, 15mm high	L = 2m	35 x 27 x 15 EN 60715	98.370.0000.0	1	35 x 27 x 15 EN 60715	98.370.0000.0	1
Mounting rail TS 32, G rail	L = 2m	9006 EN 60715 G-32	98.190.0000.0	1	9006 EN 60715 G-32	98.190.0000.0	1
2. End clamp with U-foot	10mm wide	WE 1/U	Z5.523.5753.0	100	WE 1/U	Z5.523.5753.0	100
End clamp TS 35, with screw	8mm wide	9708/2 S 35	Z5.522.8553.0	100	9708/2 S 35	Z5.522.8553.0	100
End clamp TS 35, without screw	8mm wide	WEF 1/35	Z5.523.9353.0	100	WEF 1/35	Z5.523.9353.0	100
3. End plate	gray	AP 2,5 U/D/8113 S/V	07.311.9055.0	10	AP 2,5 U/8113 S/V	07.312.1555.0	10
	blue				AP 2,5 U/8113	07.312.4655.0	10
4. Spacer	2.5mm thick	ZP 2,5 U/D/8113 S/V	07.311.9155.0	10	ZP 2,5 U/8113 S/V	07.312.1655.0	10
for <i>wiecon</i> PC board connector with spacing 7,5mm							
5. Cross connector with screws	2 pole	IVB WK 2,5-2	Z7.280.2227.0	10	IVB WK 2,5-2	Z7.280.2227.0	10
insulated	3 pole	IVB WK 2,5-3	Z7.280.2327.0	10	IVB WK 2,5-3	Z7.280.2327.0	10
	12 pole	IVB WK 2,5-12	Z7.280.3227.0	10	IVB WK 2,5-12	Z7.280.3227.0	10
6. Connection rail, tin-plated brass ¹⁾	L = 0.4m		05.561.4115.0	1		05.561.4115.0	1
7. Partition plate with marking facility		TS 2,5 GELB	07.311.2053.8	10	TS 2,5 GELB	07.311.2053.8	10
8. Single cover with marking facility		AD VB 2,5 GELB	04.326.2053.8	10	AD VB 2,5 GELB	04.326.2053.8	10
9. Cover strip for PCB terminal	24 pole		04.343.9056.8	10		04.343.9056.8	10
with warning symbol	24 pole		04.343.9156.8	10		04.343.9156.8	10
Cover strip for LED (transparent)	10 pole	AD VB 5/10 P	04.342.3556.8	10			
10. Coding strip			05.561.0053.0	100		05.561.0053.0	100
11. Locking piece	10 pole						
For more accessories see pages 62-79							
For marking systems see pages 72-77							
¹⁾ For jumpering the negative potential for the LED blocks							



WK 2,5 U/D/8113 S/H

fine-stranded	solid	V	A
0.5-2.5 mm ²	0.5-4 mm ²	250 V/4 kV/3	12
No. 22-12 AWG		300 V	20
No. 24-12 AWG		300 V	15
5 mm			

9 mm

Typ 8113 B/..., 8313 B/...

Mating orientation with the wire

fine-stranded	solid	V	A
0.5-2.5 mm ²	0.5-4 mm ²	250 V/400 V	12
No. 22-12 AWG		300 V	20
No. 24-12 AWG		300 V	15



Typ 8113 B/... VR

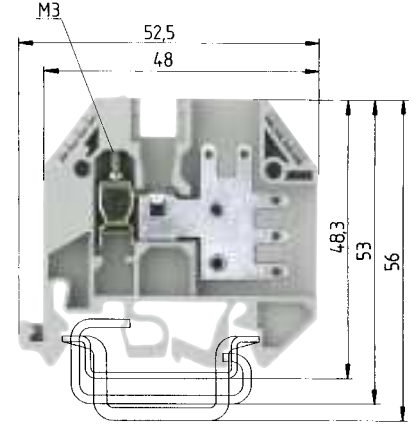
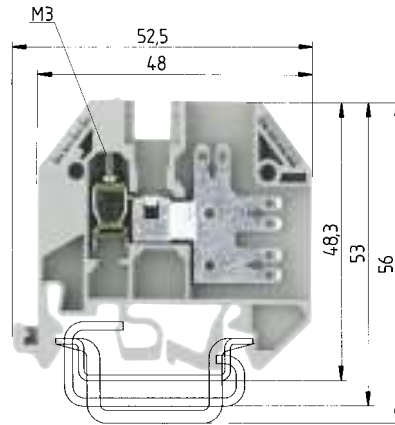
Mating orientation 90° towards the wire

fine-stranded	solid	V	A
0.5-2.5 mm ²	0.5-4 mm ²	250 V/400 V	12
No. 22-12 AWG		300 V	15
No. 24-12 AWG		300 V	15



Type	Part No.	Std. Pack	Type	Part No.	Std. Pack	Type	Part No.	Std. Pack
WK 2,5 U/8113 S/H	57.503.2055.0	100	Spacing 5.00 mm			Spacing 5.00 mm		
			Rated voltage 250 V			Rated voltage 250 V		
			Unmarked			Unmarked		
			8113 B/2 0B	25.320.3253.0	2	8113 B/2 VR 0B	25.325.3253.0	2
			to			to		
			8113 B/16 0B	25.320.4653.0	16	8113 B/16 VR 0B	25.325.4653.0	16
35 x 27 x 7,5 EN 60715	98.300.0000.0	1	Marked with 1- x			Marked with 1- x		
35 x 27 x 15 EN 60715	98.370.0000.0	1	8113 B/2	25.320.0253.0	2	8113 B/2	25.325.0253.0	2
9006 EN 60715 G-32	98.190.0000.0	1	to			to		
WE 1/U	Z5.523.5753.0	100	8113 B/16	25.320.1653.0	16	8113 B/16	25.325.1653.0	16
9708/2 S 35	Z5.522.8553.0	100						
WEF 1/35	Z5.523.9353.0	100						
AP 2,5 U/8113 S/H	07.311.9855.0	10	Spacing 7.50 mm					
			Rated voltage 400 V					
			Unmarked					
			8313 B/2 0B	25.360.3253.0	2			
			to					
IVB WK 2,5-2	Z7.280.2227.0	10	8313 B/12 0B	25.360.4253.0	12			
IVB WK 2,5-3	Z7.280.2327.0	10						
IVB WK 2,5-12	Z7.280.3227.0	10						
			Marked with 1- x					
TS 2,5 GELB	07.311.2053.8	10	8313 B/2	25.360.0253.0	2			
AD VB 2,5 GELB	04.326.2053.8	10	to					
			8313 B/12	25.360.1253.0	12			
	05.584.0053.0	100						
	05.576.5853.0	25	Accessories:			Accessories:		
			Coding piece	05.561.9153.0		Coding piece	05.561.9153.0	
			For additional pluggable blocks, see wiecon product family			For additional pluggable blocks, see wiecon product family		

Feed-through blocks with screw/push-on connection



Push-on connectors 2.8x0.8 according to DIN 46247
Push-on connectors 6.3x0.8 according to DIN 46247

Push-on connectors 2.8x0.8 according to DIN 46247

Ratings for use of insulating sleeves
EN 60947-7-1, EN 61 210

UL ratings

CSA ratings

Width

Approvals

Field/factory wiring

Wire strip length

WK 4 3-6 S 1 K/U

fine-stranded	solid	V	A
0.5-4 mm ²	0.5-6 mm ²	800 V/8 kV/3	20*)
No. 22-12 AWG		300 V	10
No. 22-12 AWG		300 V	10

6 mm



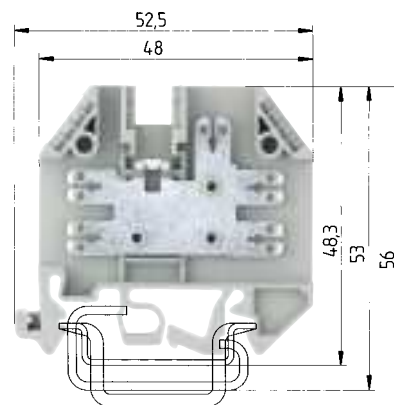
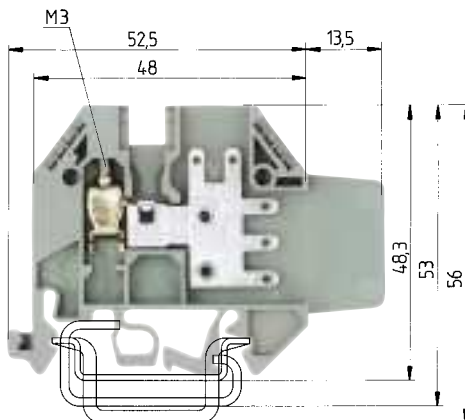
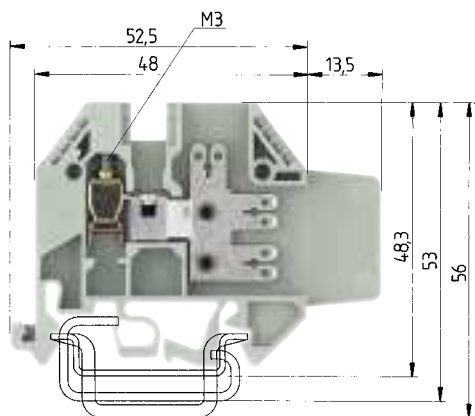
WK 4 5 S 2,8 1 K/U

fine-stranded	solid	V	A
0.5-4 mm ²	0.5-6 mm ²	800 V/8 kV/3	20*)
No. 22-12 AWG		300 V	10
No. 22-12 AWG		300 V	10

9 mm



	Type	Part No.	Std. Pack	Type	Part No.	Std. Pack	
Feed-through block with push-on connection	gray	WK 4 3-6 S 1 K/U	57.504.3755.0	100	WK 4 5 S 2,8 1 K/U	57.504.3855.0	100
Accessories							
1. Mounting rail TS 35, DIN rail 7.5 mm high	L = 2 m	35 x 27 x 7,5 EN 60715	98.300.0000.0	1	35 x 27 x 7,5 EN 60715	98.300.0000.0	1
Mounting rail TS 35, DIN rail, 15 mm high	L = 2 m	35 x 27 x 15 EN 60715	98.370.0000.0	1	35 x 27 x 15 EN 60715	98.370.0000.0	1
Mounting rail TS 32, G rail	L = 2 m	9006 EN 60715 G-32	98.190.0000.0	1	9006 EN 60715 G-32	98.190.0000.0	1
2. End clamp with U-foot	10 mm wide	W 1/U	Z5.523.5753.0	100	WE 1/U	Z5.523.5753.0	100
End clamp TS 35, with screw	8 mm wide	9708/2 S 35	Z5.522.8553.0	100	9708/2 S 35	Z5.522.8553.0	100
End clamp TS 35, without screw	8 mm wide	WEF 1/35	Z5.523.9353.0	100	WEF 1/35	Z5.523.9353.0	100
3. End plate	gray	AP4 3 S 1 K	07.311.3855.0	10	AP4 3 S 1 K	07.311.3855.0	10
	blue						
4. Cross connector with screws	2 pole	IVB WK 4-2	Z7.281.1227.0	10	IVB WK 4-2	Z7.281.1227.0	10
insulated	3 pole	IVB WK 4-3	Z7.281.1327.0	10	IVB WK 4-3	Z7.281.1327.0	10
	up to 12 pole	IVB WK 4-12	Z7.281.2227.0	10	IVB WK 4-12	Z7.281.2227.0	10
5. Partition plate with marking facility		TS 4 GELB	07.311.2153.8	10	TS 4 GELB	07.311.2153.8	10
6. Single cover with marking facility		AD VB 4 GELB	04.326.2153.8	10	AD VB 4 GELB	04.326.2153.8	10
7. Insulating sleeve for tab connector							
for H0. V-K 1.5 mm ²	yellow		05.592.7553.0	2000		05.592.7553.0	2000
for H0. V-K 2.5 mm ²	yellow		05.592.7653.0	2000		05.592.7653.0	2000
For more accessories see pages 62-79							
For marking systems see pages 72-77							
*) Current carrying capability according to DIN 46249							



Push-on connectors 2.8x0.8 according to DIN 46247
Push-on connectors 6.3x0.8 according to DIN 46247

Push-on connectors 2.8x0.8 according to DIN 46247

Push-on connectors 2.8x0.8 according to DIN 46247
Push-on connectors 6.3x0.8 according to DIN 46247

WK 4-3-6 S 1 K/IW/U

fine-stranded	solid	V	A
0.5-4 mm ²	0.5-6 mm ²	800 V/8 kV/3	20*)
No. 22-12 AWG		600 V	10
No. 22-12 AWG		300 V	10
6 mm			9 mm

WK 4-5 S 2,8 1 K/IW/U

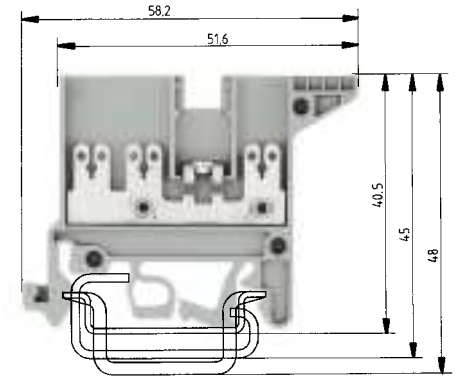
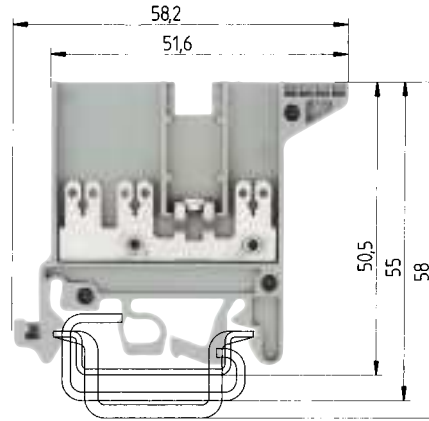
fine-stranded	solid	V	A
0.5-4 mm ²	0.5-6 mm ²	800 V/8 kV/3	20*)
No. 22-12 AWG		600 V	10
No. 22-12 AWG		300 V	10
6 mm			9 mm

WK/5-10 S/U

fine-stranded	solid	V	A
		800 V/8 kV/3	20*)
No. 22-12 AWG		300 V	10
		300 V	10
6 mm			

Type	Part No.	Std. Pack	Type	Part No.	Std. Pack	Type	Part No.	Std. Pack
WK 4-3-6 S 1 K/IW/U	57.504.2755.0	100	WK 4-5 S 2,8 1 K/IW/U	57.504.2855.0	100	WK/5-10 S/U	57.504.3655.0	100
35 x 27 x 7,5 EN 60715	98.300.0000.0	1	35 x 27 x 7,5 EN 60715	98.300.0000.0	1	35 x 27 x 7,5 EN 60715	98.300.0000.0	1
35 x 27 x 15 EN 60715	98.370.0000.0	1	35 x 27 x 15 EN 60715	98.370.0000.0	1	35 x 27 x 15 EN 60715	98.370.0000.0	1
9006 EN 60715 G-32	98.190.0000.0	1	9006 EN 60715 G-32	98.190.0000.0	1	9006 EN 60715 G-32	98.190.0000.0	1
WE 1/U	Z5.523.5753.0	100	WE 1/U	Z5.523.5753.0	100	WE 1/U	Z5.523.5753.0	100
9708/2 S 35	Z5.522.8553.0	100	9708/2 S 35	Z5.522.8553.0	100	9708/2 S 35	Z5.522.8553.0	100
WEF 1/35	Z5.523.9353.0	100	WEF 1/35	Z5.523.9353.0	100	WEF 1/35	Z5.523.9353.0	100
AP4 3 S 1 K	07.311.3855.0	10	AP4 3 S 1 K	07.311.3855.0	10	AP 5 S	07.311.4655.0	10
IVB WK 4-2	Z7.281.1227.0	10	IVB WK 4-2	Z7.281.1227.0	10	IVB WKI 4-2	Z7.271.4227.0	10
IVB WK 4-3	Z7.281.1327.0	10	IVB WK 4-3	Z7.281.1327.0	10	IVB WKI 4-3	Z7.271.4327.0	10
IVB WK 4-12	Z7.281.2227.0	10	IVB WK 4-12	Z7.281.2227.0	10	IVB WKI 4-12	Z7.271.5227.0	10
TS 4 GELB	07.311.2153.8	10	TS 4 GELB	07.311.2153.8	10	TS 4 GELB	07.311.2153.8	10
AD VB 4 GELB	04.326.2153.8	10	AD VB 4 GELB	04.326.2153.8	10	AD VB 4 GELB	04.326.2153.8	10
	05.592.7553.0	2000		05.592.7553.0	2000		05.592.7553.0	2000
	05.592.7653.0	2000		05.592.7653.0	2000		05.592.7653.0	2000

Distribution terminals with screw/push-on connection



Current carrying capability in accordance with DIN 46249

Tab connector	2.8	10A
	6.3	20A

Ratings for use of insulating sleeves
EN 60947-7-1, EN 61 210

UL ratings Field/factory wiring

CSA ratings

Width Wire strip length

Approvals

Push-on connectors 2.8x0.8 according to DIN 46247
Push-on connectors 6.3x0.8 according to DIN 46247

WK/3-6 S/IW/U

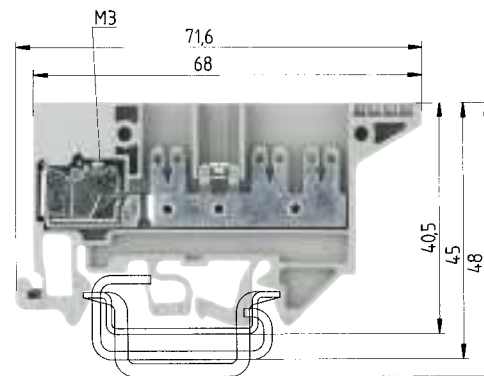
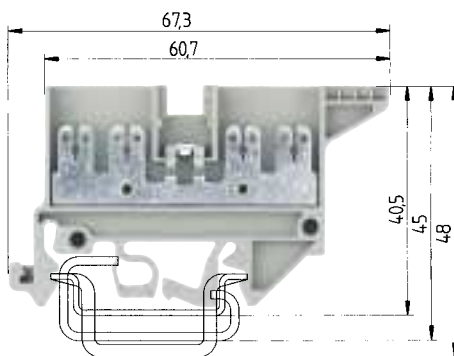
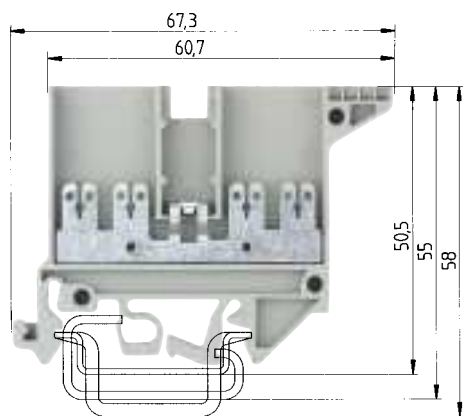
fine-stranded	solid	V	A
0.5-4 mm ²	0.5-6 mm ²	800 V/8 kV/3	20
		600 V	10
No. 22-12 AWG		300 V	10
6 mm			

Push-on connectors 2.8x0.8 according to DIN 46247
Push-on connectors 6.3x0.8 according to DIN 46247

WK/3-6 S/U

fine-stranded	solid	V	A
No. 24-12 AWG		800 V/8 kV/3	20
		300 V	10
		300 V	10
6 mm			

	Type	Part No.	Std. Pack	Type	Part No.	Std. Pack
Feed-through block with push-on connection	gray WK/3-6 S/IW/U	57.504.6755.0	100	WK/3-6 S/U	57.504.6655.0	100
Accessories						
1. Mounting rail TS 35, DIN rail 7.5 mm high L = 2 m	35 x 27 x 7,5 EN 60715	98.300.0000.0	1	35 x 27 x 7,5 EN 60715	98.300.0000.0	1
Mounting rail TS 35, DIN rail, 15 mm high L = 2 m	35 x 27 x 15 EN 60715	98.370.0000.0	1	35 x 27 x 15 EN 60715	98.370.0000.0	1
Mounting rail TS 32, G rail L = 2 m	9006 EN 60715 G-32	98.190.0000.0	1	9006 EN 60715 G-32	98.190.0000.0	1
2. End clamp with U-foot 10 mm wide	W 1/U	Z5.523.5753.0	100	WE 1/U	Z5.523.5753.0	100
End clamp TS 35, with screw 8 mm wide	9708/2 S 35	Z5.522.8553.0	100	9708/2 S 35	Z5.522.8553.0	100
End clamp TS 35, without screw 8 mm wide	WEF 1/35	Z5.523.9353.0	100	WEF 1/35	Z5.523.9353.0	100
3. End plate gray	AP 3 S/IW	07.311.4455.0	50	AP 3 S	07.311.4455.0	50
blue						
4. Cross connector with screws 2 pole	VB WK/...S/IW/U-2	Z7.281.3227.0	10	9703/6-2	Z7.211.0227.0	50
3 pole	VB WK/...S/IW/U-3	Z7.281.3327.0	10	9703/6-3	Z7.211.0327.0	50
up to 6 pole	VB WK/...S/IW/U-6	Z7.281.3627.0	10	9703/6-6	Z7.211.0627.0	50
5. Partition plate with marking facility	TS 4 GELB	07.311.2153.8	10	TS 4 GELB	07.311.2153.8	10
6. Single cover with marking facility	AD VB 4 GELB	04.326.2153.8	10	AD VB 4 GELB	04.326.2153.8	10
7. Insulating sleeve for tab connector						
for H0. V-K 1.5 mm ² yellow		05.592.7553.0	2000		05.592.7553.0	2000
for H0. V-K 2.5 mm ² yellow		05.592.7653.0	2000		05.592.7653.0	2000
For more accessories see pages 62-79						
For marking systems see pages 72-77						



Push-on connectors 2.8x0.8 according to DIN 46247
Push-on connectors 6.3x0.8 according to DIN 46247

Push-on connectors 2.8x0.8 according to DIN 46247
Push-on connectors 6.3x0.8 according to DIN 46247

Push-on connectors 2.8x0.8 according to DIN 46247
Push-on connectors 6.3x0.8 according to DIN 46247

WK/4-8 S/IW/U

fine-stranded solid

V	A
800V/8kV/3	20
600V	10
300V	10

No. 22-12 AWG

6mm



WK/4-8 S/U

fine-stranded solid

V	A
800V/8kV/3	20
300V	10

No. 22-12 AWG

6mm



WK/3-6 S KO/U

fine-stranded solid

V	A
690V/8kV/3	20
0.5-4mm ²	10
No. 22-12 AWG	10
No. 22-12 AWG	10

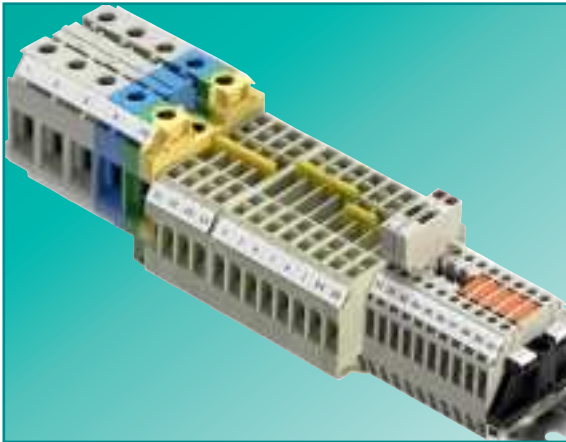
6mm



9mm

Type	Part No.	Std. Pack	Type	Part No.	Std. Pack	Type	Part No.	Std. Pack
WK/4-8 S/IW/U	57.504.6355.0	100	WK/4-8 S/U	57.504.6255.0	100	WK/3-6 S KO/U	57.504.7355.0	100
35 x 27 x 7,5 EN 60715	98.300.0000.0	1	35 x 27 x 7,5 EN 60715	98.300.0000.0	1	35 x 27 x 7,5 EN 60715	98.300.0000.0	1
35 x 27 x 15 EN 60715	98.370.0000.0	1	35 x 27 x 15 EN 60715	98.370.0000.0	1	35 x 27 x 15 EN 60715	98.370.0000.0	1
9006 EN 60715 G-32	98.190.0000.0	1	9006 EN 60715 G-32	98.190.0000.0	1	9006 EN 60715 G-32	98.190.0000.0	1
WE 1/U	Z5.523.5753.0	100	WE 1/U	Z5.523.5753.0	100	WE 1/U	Z5.523.5753.0	100
9708/2 S 35	Z5.522.8553.0	100	9708/2 S 35	Z5.522.8553.0	100	9708/2 S 35	Z5.522.8553.0	100
WEF 1/35	Z5.523.9353.0	100	WEF 1/35	Z5.523.9353.0	100	WEF 1/35	Z5.523.9353.0	100
AP 4 S/IW	07.311.4355.0	50	AP 4 S	07.311.4255.0	10	9701 A/6 1 S KO TP 2	07.310.5855.0	50
VB WK/...S/IW/U-2	Z7.281.3227.0	10	9703/6-2	Z7.211.0227.0	50	2072/2	Z7.220.0227.0	50
VB WK/...S/IW/U-3	Z7.281.3327.0	10	9703/6-3	Z7.211.0327.0	50	2072/2	Z7.220.0227.0	50
VB WK/...S/IW/U-6	Z7.281.3627.0	10	9703/6-6	Z7.211.0627.0	50	2072/6	Z7.220.0627.0	50
TS 4 GELB	07.311.2153.8	10	TS 4 GELB	07.311.2153.8	10			
AD VB 4 GELB	04.326.2153.8	10	AD VB 4 GELB	04.326.2153.8	10			
	05.592.7553.0	2000		05.592.7553.0	2000		05.592.7553.0	2000
	05.592.7653.0	2000		05.592.7653.0	2000		05.592.7653.0	2000

Instrument isolating terminal with screw connection



Wieland Electric's **selos** WKN 6 TK block offers a simple and effective DIN rail block solution for use in measuring circuits for current, voltage or energy. All circuits in everyday practice can be neatly implemented with the instrument isolating terminal and a few accessory parts. Only two blocks are needed for simple converter circuits.


The main focus during the development of this block was clear and simple handling as well as universal usability. All switching states of the block and the converter circuit are clearly recognizable and the extensive accessory program is easy to use.

The block and the accessories meet the requirements of protection against accidental finger touch as per BGV A2.

Technical data as per EN 60947-7:

Rated cross section:	6mm ²	Rated current:	57A
Rated voltage:	400V	Connection capacity:	0.5-10mm ²

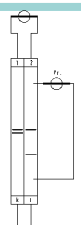
Connection capacity



Disconnect point closed

Short circuit contact open

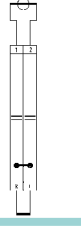
Measured value test



Disconnect point open

Short circuit contact open

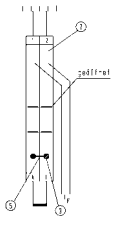
Converter short circuit



Disconnect point open


Short circuit contact closed

Relay test

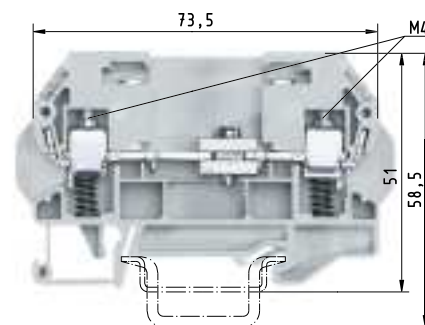
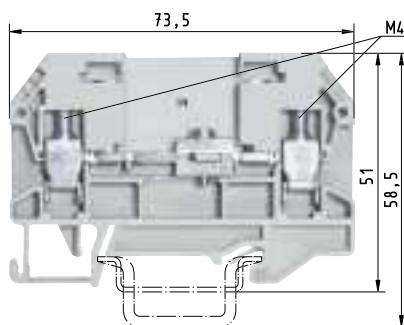


Disconnect point open

Short circuit contact closed



Accessories	Pos.
6	6
5	5
4	4
8	8
5	5
5	5
4	4
5	5
6	6
3	3
2	2



WKN 6 TK

fine-stranded solid V A
0.5-6 mm² 0.5-10 mm² 500 V/6 kV/3 57

WKN 6 TK SF

fine-stranded solid V A
0.5-6 mm² 0.5-10 mm² 500 V/6 kV/3 57
500 V 25

EN 60947-7-1/DIN VDE 0611 T1
EA TS 50-18

Width
Approvals pending

Wire strip length 8 mm
☉

12 mm 8 mm
☉

12 mm

	Type	Part No.	Std. Pack	Type	Part No.	Std. Pack
Instrument isolating terminal	WKN6 TK	56.106.0055.0	50	WKN6 TK SF	56.106.0755.0	50
Feed-through block	WKN6 TK D	56.106.0155.0	50	WKN6 TK SFD	56.106.0855.0	50
Accessories						
1. Mounting rail TS 35, DIN rail 7.5 mm high L = 2 m	35 x 27 x 7.5 EN 60715	98.300.0000.0	1	35 x 27 x 7.5 EN 60715	98.300.0000.0	1
Mounting rail TS 35, DIN rail, 15 mm high L = 2 m	35 x 27 x 15 EN 60715	98.370.0000.0	1	35 x 27 x 15 EN 60715	98.370.0000.0	1
Mounting rail TS 32, G rail L = 2 m						
2. End clamp with U-foot 10 mm wide	WE 1/U	Z5.523.5753.0	100	WE 1/U	Z5.523.5753.0	100
End clamp TS 35, with screw 8 mm wide	9708/2 S 35	Z5.522.8553.0	100	9708/2 S 35	Z5.522.8553.0	100
End clamp TS 35, without screw 8 mm wide	WEF 1/35	Z5.523.9353.0	100	WEF 1/35	Z5.523.9353.0	100
3. End plate 2 mm	APN 6 TK	07.313.1755.0	10	APN 6 TK	07.313.1755.0	10
4. Partition	TW 6 TK	07.312.0453.0	10	TW 6 TK	07.312.0453.0	10
5. Sliding short-circuit slide 2 pole	IVS WKN6 TK-2	Z7.282.7229.0	10	IVS WKN6 TK-2	Z7.282.7229.0	10
insulated 3 pole	IVS WKN6 TK-3	Z7.282.7329.0	10	IVS WKN6 TK-3	Z7.282.7329.0	10
4 pole	IVS WKN6 TK-4	Z7.282.7429.0	10	IVS WKN6 TK-4	Z7.282.7429.0	10
6. Jumper bar with screws 2 pole	IVB WKN6 TK-2	Z7.282.6229.0	10	IVB WKN6 TK-2	Z7.282.6229.0	10
insulated 3 pole	IVB WKN6 TK-3	Z7.282.6329.0	10	IVB WKN6 TK-3	Z7.282.6329.0	10
4 pole	IVB WKN6 TK-4	Z7.282.6429.0	10	IVB WKN6 TK-4	Z7.282.6429.0	10
5 pole	IVB WKN6 TK-5	Z7.282.6529.0	10	IVB WKN6 TK-5	Z7.282.6529.0	10
6 pole	IVB WKN6 TK-6	Z7.282.6629.0	10	IVB WKN6 TK-6	Z7.282.6629.0	10
7. Jumper comb 2 pole	IVK WKN 6TK-2	Z7.255.8227.0	10			
3 pole	IVK WKN 6TK-3	Z7.255.8327.0	10			
4 pole	IVK WKN 6TK-4	Z7.255.8427.0	10			
5 pole	IVK WKN 6TK-5	Z7.255.8527.0	10			
6 pole	IVK WKN 6TK-6	Z7.255.8627.0	10			
8. Test socket gray	SBN 4 GRAU	Z5.511.3553.0	10	SBN 4 GRAU	Z5.511.3553.0	10
violet	SBN 4 VIOLETT	Z5.511.3553.9	10	SBN 4 VIOLETT	Z5.511.3553.9	10
green	SBN 4 GRÜN	Z5.511.3553.7	10	SBN 4 GRÜN	Z5.511.3553.7	10
yellow	SBN 4 GELB	Z5.511.3553.8	10	SBN 4 GELB	Z5.511.3553.8	10
blue	SBN 4 BLAU	Z5.511.3553.6	10	SBN 4 BLAU	Z5.511.3553.6	10
9. Disconnect locking device	SP WKN 6 TK	05.566.6855.9	50	SP WKN 6 TK	05.566.6855.9	50
For more accessories see pages 62-79						
For marking systems see pages 72-77						

Instrument isolating terminal with screw connection WK6 TK

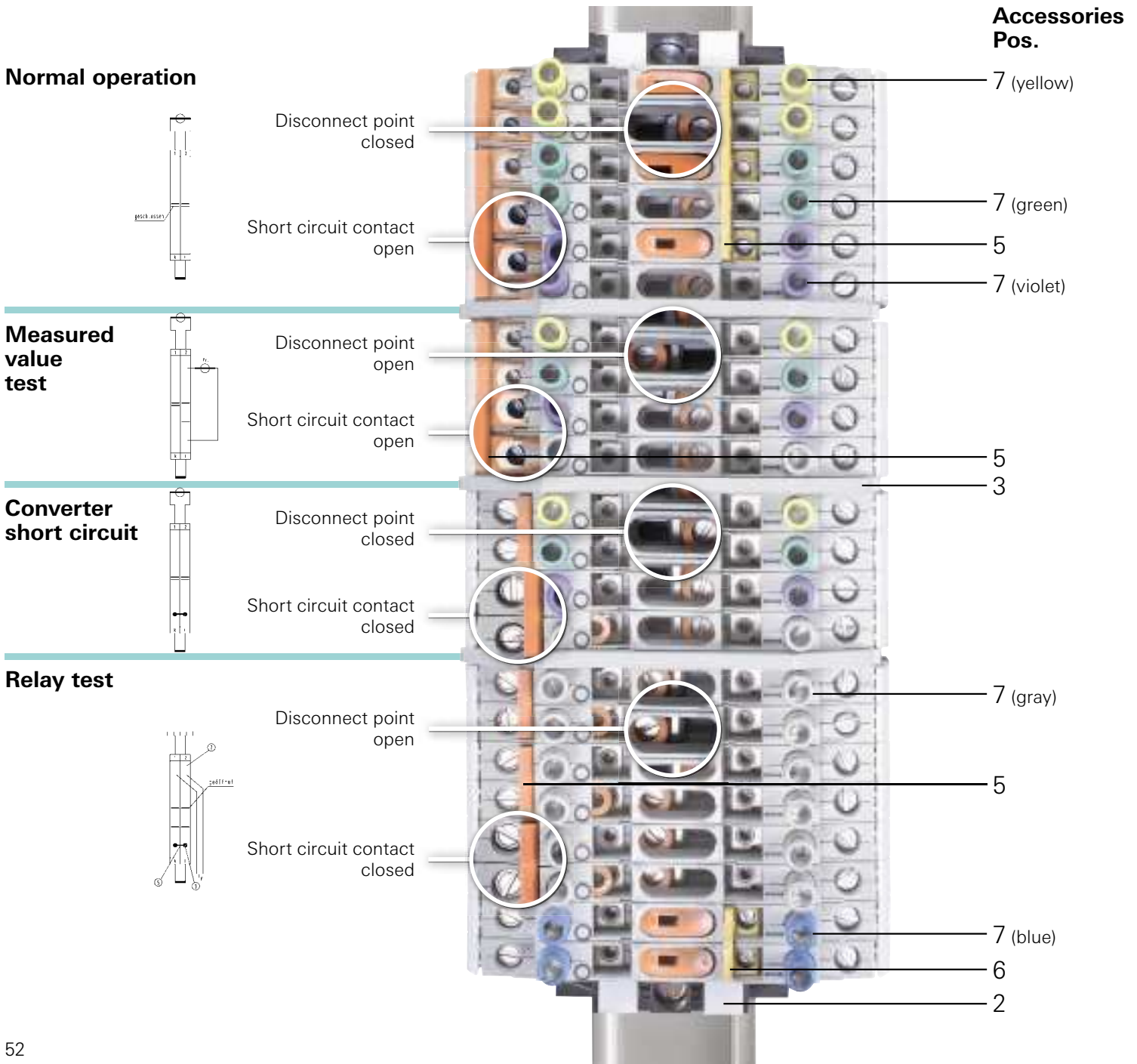


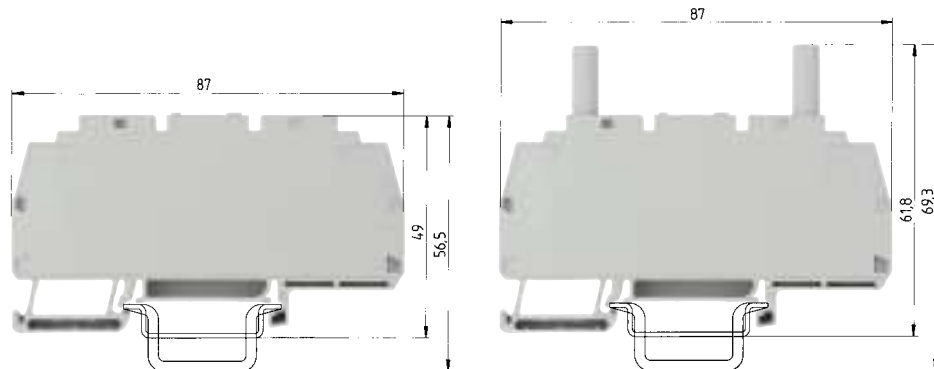
Wieland Electric's **selos** WK 6 TK block offers an optimal DIN rail block solution for all types of measuring circuits of current, voltage or energy. All circuits occurring during everyday practice can be implemented with the Instrument isolating terminal and a few accessories parts.

Complete insulated selectable connecting links are available as standard, as are insulated test sockets in all conventional signal colors. Two additional jumpering facilities permit the installation of fixed cross connections (e.g., for internal distribution of the k point of converter circuits). Standard cross connectors in a wide variety of numbers of pins are available for this purpose. The jumpers are easy to disconnect so that you can skip over blocks.

Technical data as per EN 60947-7:

Rated cross section:	6mm ²	Rated current:	32A
Rated voltage:	400V	Connection capacity:	0.5-10mm ²





EN 60947-7-1/DIN VDE 0611 T1

UL ratings

CSA ratings

Width

Approvals

Field/factory wiring

Wire strip length

WK6 TK/35

fine-stranded solid V A
 0.5-6mm² 0.5-10mm² 400V/6kV/3
 No. 20-8 AWG 600V 45
 No. 20-8 AWG 300V 45
 8mm 12mm

WK6 TK P3/35

fine-stranded solid V A
 0.5-6mm² 0.5-10mm² 400V/6kV/3 32
 No. 20-8 AWG 600V 45
 No. 20-8 AWG 300V 45
 8mm 12mm

	Type	Part No.	Std. Pack	Type	Part No.	Std. Pack
Instrument isolating terminal	WK6 TK/35	56.106.0653.0	50			
Instrument isolating terminal with mounted test sockets				WK6 TK P3/35	56.106.0653.0	50
Accessories						
1. Mounting rail TS 35, DIN rail 7.5 mm high L=2m	35 x 27 x 7,5 EN 60715	98.300.0000.0	1	35 x 27 x 7,5 EN 60715	98.300.0000.0	1
Mounting rail TS 35, DIN rail, 15 mm high L=2m	35 x 27 x 15 EN 60715	98.370.0000.0	1	35 x 27 x 15 EN 60715	98.370.0000.0	1
Mounting rail TS 32, G rail L=2m						
2. End clamp with U-foot 10 mm wide	WE 1/U	Z5.523.5753.0	100	WE 1/U	Z5.523.5753.0	100
End clamp TS 35, with screw 8 mm wide	9708/2 S 35	Z5.522.8553.0	100	9708/2 S 35	Z5.522.8553.0	100
End clamp TS 35, without screw 8 mm wide	WEF 1/35	Z5.523.9353.0	100	WEF 1/35	Z5.523.9353.0	100
3. Partition	TW 6 TK	07.312.0453.0	10	TW 6 TK	07.312.0453.0	10
4. Intermediate plate 2 mm thick	ZP 6 TK	07.312.9953.0	10	ZP 6 TK	07.312.9953.0	10
5. Sliding short-circuit slide 2 pole	IVS WK6 TK-2	Z7.212.2227.0	50	IVS WK6 TK-2	Z7.212.2227.0	50
insulated 3 pole	IVS WK6 TK-3	Z7.212.2327.0	50	IVS WK6 TK-3	Z7.212.2327.0	50
4 pole	IVS WK6 TK-4	Z7.212.2427.0	50	IVS WK6 TK-4	Z7.212.2427.0	50
6. Jumper bar with screws 2 pole	IVB WK6 TK-2	Z7.212.1227.0	50	IVB WK6 TK-2	Z7.212.1227.0	50
insulated 3 pole	IVB WK6 TK-3	Z7.212.1327.0	50	IVB WK6 TK-3	Z7.212.1327.0	50
4 pole	IVB WK6 TK-4	Z7.212.1427.0	50	IVB WK6 TK-4	Z7.212.1427.0	50
5 pole	IVB WK6 TK-5	Z7.212.1527.0	50	IVB WK6 TK-5	Z7.212.1527.0	50
10 pole	IVB WK6 TK-10	Z7.212.2027.0	50	IVB WK6 TK-10	Z7.212.2027.0	50
7. Test socket gray	SB 4 GRAU	05.511.2953.0	10	SB 4 GRAU	05.511.2953.0	10
violet	SB 4 VIOLETT	05.511.2953.9	10	SB 4 VIOLETT	05.511.2953.9	10
green	SB 4 GRÜN	05.511.2953.7	10	SB 4 GRÜN	05.511.2953.7	10
yellow	SB 4 GELB	05.511.2953.8	10	SB 4 GELB	05.511.2953.8	10
blue	SB 4 BLAU	05.511.2953.6	10	SB 4 BLAU	05.511.2953.6	10
8. Disconnect locking device	SP WK6 TK	05.563.5453.0	50	SP WK6 TK	05.563.5453.0	50
For more accessories see pages 62-79						
For marking systems see pages 72-77						

Screw type terminal blocks with spring support



EN 60947-7-1
EA TS 50-18

Width
Approvals pending

Wire strip length

WKN 6 SF

fine-stranded solid V A
0.5-6 mm² 0.5-10 mm² 800V/8kV/3 41
500V 30A

8 mm



WKN 10 SF

fine-stranded solid V A
2.5-10 mm² 1.5-16 mm² 800V/8kV/3 57
500V 30A

11 mm

10 mm



13 mm

Feed-through block		Type	Part No.	Std. Pack	Type	Part No.	Std. Pack
gray	WKN 6 SF	57.506.0555.0	100	WKN 10 SF	57.510.0555.0	100	
Accessories							
1. Mounting rail TS 35, DIN rail 7.5 mm high	L = 2 m	35x27x7,5 EN60715	98.300.0000.0	1	35x27x7,5 EN60715	98.300.0000.0	1
Mounting rail TS 35, DIN rail, 15 mm high	L = 2 m	35x27x15 EN60715	98.370.0000.0	1	35x27x15 EN60715	98.370.0000.0	1
Mounting rail TS 32, G rail	L = 2 m	9006 EN 60715 G-32	98.190.0000.0	1	9006 EN 60715 G-32	98.190.0000.0	1
2. End clamp with U-foot	10 mm wide	WE 1/U	Z5.523.5753.0	100	WE 1/U	Z5.523.5753.0	100
End clamp TS 35, with screw	8 mm wide	9708/2 S35	Z5.522.8553.0	100	9708/2 S35	Z5.522.8553.0	100
End clamp TS 35, without screw	8 mm wide	WEF 1/35	Z5.523.9353.0	100	WEF 1/35	Z5.523.9353.0	100
3. End plate	gray	APN 6 SF	07.313.2355.0	10	APN 10 SF	07.313.2455.0	10
4. Partition	gray	TW 6 TK	07.312.0453.0	10	TW 6 TK	07.312.0453.0	10
5. Jumper bar with screws	2 pole	IVB WK 6 - 2	Z7.282.2227.0	10	IVB WK 10 - 2	Z7.283.2227.0	10
insulated	3 pole	IVB WK 6 - 3	Z7.282.2327.0	10	IVB WK 10 - 3	Z7.283.2327.0	10
	up to 12 pole	IVB WK 6 - 12	Z7.282.3227.0	10	IVB WK 10 - 12	Z7.283.3227.0	10
6. Single cover f. cross conn. with marking facility		AD VB 6 GELB	04.326.2253.8	10	AD VB 10 GELB	04.326.2353.8	10
Cover with warning symbol over 4 blocks		AD VB 8/4 GELB	04.343.4956.8	10	AD VB 10/4 GELB	04.343.5056.8	10
For more accessories see pages 62-79							
For marking systems see pages 72-77							

DIN rail terminal blocks with ring lug connection



EN 60947-7-1
cURus

Width
Approvals

Wire strip length

WRT 6

fine-stranded solid V A
1.5-6 mm² 1.5-6 mm² 1000V/8kV/3 41
No. 22-8 AWG 600V 50A

11 mm



WRT 6 TK

fine-stranded solid V A
1.5-6 mm² 1.5-6 mm² 1000V/8kV/3 41
No. 22-8 AWG 600V 35A

10 mm

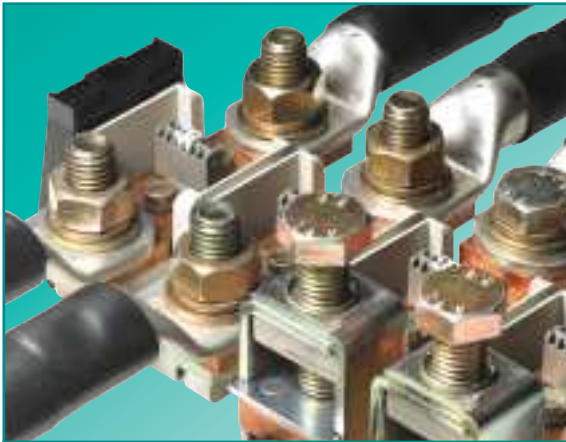
11 mm



10 mm

		Type	Part No.	Std. Pack	Type	Part No.	Std. Pack
Feed-through block	gray	WRT 6	57.106.1155.0	100			
Instrument isolating terminal	gray				WRT 6 TK	57.106.1055.0	100
Accessories							
1. Mounting rail TS 35, DIN rail 7.5 mm high	L = 2 m	35x27x7,5 EN60715	98.300.0000.0	1	35x27x7,5 EN60715	98.300.0000.0	1
Mounting rail TS 35, DIN rail, 15 mm high	L = 2 m	35x27x15 EN60715	98.370.0000.0	1	35x27x15 EN60715	98.370.0000.0	1
2. End clamp TS 35, with screw	8 mm wide	9708/2 S35	Z5.522.8553.0	100	9708/2 S35	Z5.522.8553.0	100
End clamp TS 35, without screw	8 mm wide	WEF 1/35	Z5.523.9353.0	100	WEF 1/35	Z5.523.9353.0	100
3. End plate	gray	APRT 6	07.300.6955.0	10	APRT 6 TK	07.300.7055.0	10
4. Partition	gray	TW 6 TK	07.312.0453.0	10	TW 6 TK	07.312.0453.0	10
5. Jumper bar, insulated	2 pole	IVB WRT 6 TK - 2	Z7.250.5227.0	10	IVB WRT 6 TK - 2	Z7.250.5227.0	10
	3 pole	IVB WRT 6 TK - 3	Z7.250.5327.0	10	IVB WRT 6 TK - 3	Z7.250.5327.0	10
	4 pole	IVB WRT 6 TK - 4	Z7.250.5427.0	10	IVB WRT 6 TK - 4	Z7.250.5427.0	10
For more accessories see pages 62-79							
For marking systems see pages 72-77							

High current terminal blocks with screw connection



selos POWER LINE is designed for use in mechanical and plant engineering, railed travel and in battery applications.

Wieland offers a program which was especially developed for high current applications. The portfolio includes feed through blocks and ring lug terminals. The type RFK feed through blocks in 4 different cross sections between 95 and 240 mm² and different types of connection (e.g., rising cage or ring lug connection) are available.

Ring lug terminals augment the **selos** POWER LINE product line. Blocks with ring lug sizes from M 6 to M 12 are available for the connection of wires with crimped cable shoes.

Extensive accessories optimize the **selos** POWER LINE for a wide variety of applications.

Technical data as per EN 60947-7:

Rated cross section:	95 mm ² -240 mm ²	Rated current: up to 415 A
Rated voltage:	1000 V	



High current blocks, type RFK

- Up to 240 mm² rated cross section
- Cable connection via ring lug connection technology, direct connection with rising cage or hybrid solutions
- Current rails and jumper rails made of E-Cu
- Screw retainer via folded block body or tension disk



Lug ring connection blocks

- For the connection of cable shoes in versions from M 6 to M 12
- Screw retainer via locking washer
- Approved for international rail transportation standards



Accessories for **selos** POWER

- Covers for provision of protection against accidental touch
- Jumper rails made of E-Cu; 2, 3 and 4-pin
- Partition plates for optical and electrical separation
- All components can be marked with the Wieland standard marking system.



Mounting notice

- When tightening the block screws, we recommend countering by holding the wire to avoid deformation of the mounting rail and to keep the foot of the block free of torsional forces.



BK M .../35

V A
1000V/8kV/3¹⁾

DIN VDE 0110
UL ratings
CSA ratings
Width
Approvals

Field/factory wiring

Wire strip length

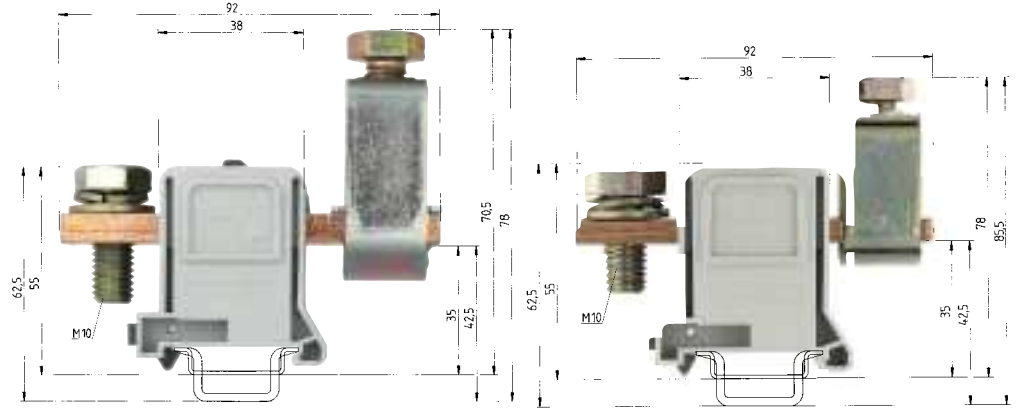


	Type	Part No.	Std. Pack
Ring lug terminal	BK M 6/35	32.530.0053.0	25
	BK M 8/35	32.540.0053.0	25
	BK M 10/35	32.550.0053.0	25
	BK M 12/35	32.560.0053.0	25
Accessories			
1. Mounting rail TS 35, DIN rail 7.5 mm high L = 2 m	35 x 27 x 7,5 EN 60715	98.300.0000.0	1
Mounting rail TS 35, DIN rail, 15 mm high L = 2 m	35 x 24 x 15 EN 60715	98.360.0000.0	1
2. End clamp with U-foot 10 mm wide	WE 1/U	Z5.523.5753.0	100
End clamp TS 35, with screw 8 mm wide	9708/2 S35	Z5.522.8553.0	100
End clamp TS 35, without screw 8 mm wide	WEF 1/35	Z5.523.9353.0	100
3. Partition for BK M 6	TW BK M 6/35	07.340.3553.0	25
for BK M 8	TW BK M 8/35	07.340.3653.0	25
for BK M 10	TW BK M 10-12/35	07.340.3753.0	25
for BK M 12	TW BK M 10-12/35	07.340.3753.0	25
4. Jumper rails for tab connection blocks from E-Cu			
for 2 blocks BK M 6	VB BK M 6/35-2	07.205.5227.0	20
for 3 blocks BK M 6	VB BK M 6/35-3	07.205.5327.0	10
for 2 blocks BK M 8	VB BK M 8/35-2	07.205.7227.0	20
for 3 blocks BK M 8	VB BK M 8/35-3	07.205.7327.0	10
for 2 blocks BK M 10	VB BK M 10/35-2	07.205.8227.0	20
for 3 blocks BK M 10	VB BK M 10/35-3	07.205.8327.0	10
for 2 blocks BK M 12	VB BK M 12/35-2	07.205.9227.0	20
for 3 blocks BK M 12	VB BK M 12/35-3	07.205.9327.0	10
5. Cover for BK M 6	AD BK M 6-8/35	04.304.0181.0	1
for BK M 8	AD BK M 6-8/35	04.304.0181.0	1
for BK M 10	AD BK M 10-12/35	04.304.0281.0	1
for BK M 12	AD BK M 10-12/35	04.304.0281.0	1
6. Installation clip for Cover		05.564.0753.0	10
For marking systems see pages 72-77	¹⁾ with partition TW BK		

Type	Width	Height	Rated current
BK M 6	19 mm	56 mm	125 A
BK M 8	24 mm	65 mm	150 A
BK M 10	35 mm	72 mm	265 A
BK M 12	35 mm	74 mm	265 A

Detailed drawing data on request.

High current blocks with screw connection



DIN VDE 0611 Teil 1/EN 60947-7-1

UL ratings

CSA ratings

Width

Approvals

Field/factory wiring

Wire strip length

RFK 1/95... S35

fine-stranded V

16-95mm²

6-3/0 AWG

6-3/0 AWG

32mm



A

1000V

600V

600V

27mm

RFK 1/150... S35

fine-stranded

70-150mm²

0 AWG - 300MCM

0 AWG - 300MCM

42mm



V

1000V

600V

600V

A

335

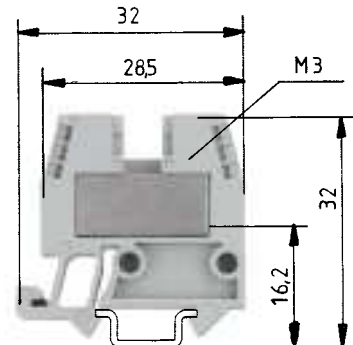
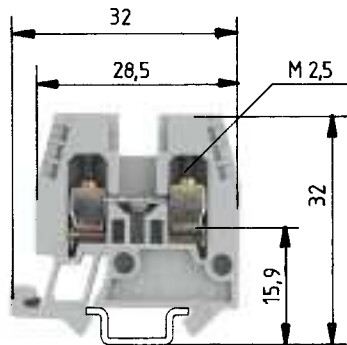
275

300

27mm

Configurations			Type	Part No.	Std. Pack	Type	Part No.	Std. Pack
gray	F		RFK 1/95 F S 35	56.395.0055.0	10	RFK 1/150 F S35	56.397.0055.0	10
gray	K		RFK 1/95 K S 35	56.395.0155.0	10	RFK 1/150 K S35	56.397.0155.0	10
gray	FK		RFK 1/95 FK S 35	56.395.0255.0	10	RFK 1/150 FK S35	56.397.0255.0	10
gray	FM		RFK 1/95 FM S 35	56.395.1055.0	10			
gray	FMK		RFK 1/95 FMK S 35	56.395.1255.0	10	RFK 1/150 FMK S35	56.397.1255.0	10
Accessories								
1. Mounting rail TS 35, DIN rail 7.5mm high	L=2m		35 x 27 x 7,5 EN 60715	98.300.0000.0	1	35 x 27 x 7,5 EN 60715	98.300.0000.0	1
Mounting rail TS 35, DIN rail, 15mm high	L=2m		35 x 24 x 15 EN 60715	98.360.0000.0	1	35 x 24 x 15 EN 60715	98.360.0000.0	1
Mounting rail TS 32, G rail	L=2m							
2. End clamp with U-foot	10mm wide		WE 2/U	Z5.523.5653.0	100	WE 2/U	Z5.523.5653.0	100
End clamp TS 35, with screw	8mm wide		9708/2 S35	Z5.522.8553.0	100	9708/2 S35	Z5.522.8553.0	100
End clamp TS 35, without screw	8mm wide		WEF 1/35	Z5.523.9353.0	100	WEF 1/35	Z5.523.9353.0	100
3. Cover for RFK 1/...	yellow			Z7.409.5753.0	10		Z7.409.5853.0	10
4. Partition/end plate PA 6.6	2.8mm thick		TE/RFK 1/95	07.340.0353.0	50	TE/RFK 1/150 - 240 PA	07.340.1053.0	50
5. Jumper bar for tab connection blocks	from E-Cu							
	for 2 blocks		VB RFK 1/95/2/32	07.205.1227.0	20	VB RFK 1/185/2	07.201.4227.0	10
	for 3 blocks		VB RFK 1/95/3/32	07.205.1327.0	10	VB RFK 1/185/3	07.201.4327.0	10
	for 4 blocks		VB RFK 1/95/4/32	07.205.1427.0	10	VB RFK 1/185/4	07.201.4427.0	10
For marking systems see pages 72-77								

Mini blocks with screw connection for TS 15



0344 II 2GD IM2
 Ex e I/II
 EN 60947-7-2/DIN VDE 0611 T3
 UL ratings Field/factory wiring
 CSA ratings
 KEMA 02 ATEX 2114 U¹⁾ EN 60079-0/EN 60079-7
 Width Wire strip length
 Approvals

WKM 2,5/15

fine-stranded solid V A
 0.5-2.5 mm² 0.5-4 mm² 500V/6kV/3 25
 No. 22-14 AWG 300V 10
 No. 22-12 AWG 600V 25
 0.5-2,5mm² 0.5-4 mm² 275V 20/20²⁾
 5mm 9mm



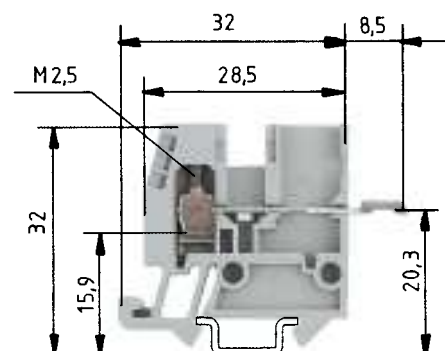
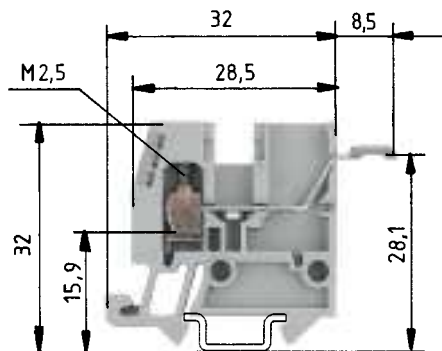
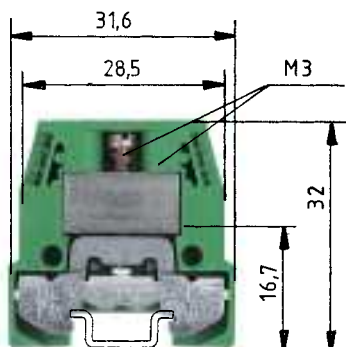
WKM 4/15

fine-stranded solid V A
 0.5-4 mm² 0.5-6 mm² 500V/6kV/3 28
 No. 22-10 AWG 600V 30
 No. 20-10 AWG 600V 37
 0.5-4 mm² 0.5-6 mm² 275V 21/27²⁾
 6mm 9mm



		Type	Part No.	Std. Pack	Type	Part No.	Std. Pack	
Feed-through blocks with solder connection	gray							
Feed-through block	gray	WKM 2,5/15	55.503.1053.0	100	WKM 4/15	55.504.1053.0	100	
Feed-through block	blue	WKM 2,5/15 BLAU	55.503.1053.6	100	WKM 4/15 BLAU	55.504.1053.6	100	
Ground block	green / yellow							
Accessories								
1. Mounting rail 15, DIN rail 5,5mm high	L = 2m	9021/15 x 5,5 EN 60715	98.090.0015.0	10	9021/15 x 5,5 EN 60715	98.090.0015.0	10	
2. End clamp, Polyamide	7.5 mm wide	9208 S 15	Z5.522.7553.0	100	9208 S 15	Z5.522.7553.0	100	
3. End plate	gray	APM 2,5 - 4/15	07.311.0853.0	10	APM 2,5 - 4/15	07.311.0853.0	10	
	blue	APM 2,5 - 4/15 BLAU	07.311.0853.6	10	APM 2,5 - 4/15 BLAU	07.311.0853.6	10	
4. Partition	gray	TWM 2,5 - 4/15	07.311.1853.0	10	TWM 2,5 - 4/15	07.311.1853.0	10	
5. Cross connector with screws, E-Cu								
	2 pole	VB WKM 2,5/15-2	Z7.215.4227.0	50	IVB WK 4 E/U-2	Z7.271.2227.0	10	
	3 pole	VB WKM 2,5/15-3	Z7.215.4327.0	50	IVB WK 4 E/U-3	Z7.271.2327.0	10	
	to 6 pole	VB WKM 2,5/15-6	Z7.215.4627.0	50				
	to 12 pole				IVB WK 4 E/U-12	Z7.271.3227.0	10	
	60 pole	VB WKM 2,5/15 M60	Z7.215.4027.0	10				
6. Single cover f. cross conn. with marking facility		AD VB 2,5/15 GELB	04.326.3053.8	10	AD VB 4/15 GELB	04.326.2953.8	10	
7. Partition plate with marking facility		TSM 2,5/15	07.311.2853.8	10	TSM 4/15	07.311.2953.8	10	
For marking systems see pages 72-77								
When selectable connecting links are used, a partition must be used. The rated voltage is reduced to 400V/6kV/3.								
				¹⁾ Please note the mounting instructions.	²⁾ With/without jumper			
³⁾ Ratings to adjacent feed-through blocks of the same series and size.								

The terminal blocks of series WKM 2,5 F1/15 and WKM 2,5 F2/15 must be mounted alternately in order to maintain the required air and creepage distances for the indicated rated voltage.



WKM 4 SL/15

fine-stranded solid V A
 0.5-4 mm² 0.5-6 mm² 500 V/6 kV/3³ 30
 No. 22-14 AWG 300 V
 No. 22-10 AWG
 0.5-4 mm² 0.5-6 mm²
 6 mm 9 mm 5 mm

WKM 2,5 F1/15

fine-stranded solid V A
 0.5-2.5 mm² 0.5-4 mm² 500 V/6 kV/3 24
 9 mm 5 mm

WKM 2,5 F2/15

fine-stranded solid V A
 0.5-2.5 mm² 0.5-4 mm² 500 V/6 kV/3 24
 9 mm 5 mm 9 mm

Type	Part No.	Std. Pack	Type	Part No.	Std. Pack	Type	Part No.	Std. Pack
			WKM 2,5 F1/15	55.503.1253.0	100	WKM 2,5 F2/15	55.503.1353.0	100
WKM 4 SL/15	55.504.9153.0	100						
9021/15 x 5,5 EN 60715	98.090.0015.0	10	9021/15 x 5,5 EN 60715	98.090.0015.0	10	9021/15 x 5,5 EN 60715	98.090.0015.0	10
9208 S 15	Z5.522.7553.0	100	9208 S 15	Z5.522.7553.0	100	9208 S 15	Z5.522.7553.0	100
APM 4 SL/15	07.311.0753.0	10	APM 2,5 F/15	07.311.0653.0	10	APM 2,5 F/15	07.311.0653.0	10
			VB WKM 2,5/15-2	Z7.215.4227.0	50	VB WKM 2,5/15-2	Z7.215.4227.0	50
			VB WKM 2,5/15-3	Z7.215.4327.0	50	VB WKM 2,5/15-3	Z7.215.4327.0	50
			VB WKM 2,5/15-6	Z7.215.4627.0	50	VB WKM 2,5/15-6	Z7.215.4627.0	50
VB WKM 2,5/15 M60	Z7.215.4027.0	10	VB WKM 2,5/15 M60	Z7.215.4027.0	10	VB WKM 2,5/15 M60	Z7.215.4027.0	10
			AD VB 2,5/15 GELB	04.326.3053.8	10	AD VB 2,5/15 GELB	04.326.3053.8	10
			TSM 2,5/15	07.311.2853.8	10	TSM 2,5/15	07.311.2853.8	10

Accessories for DIN rail terminal blocks with screw connection



Cross connectors, insulated

Cross connectors, uninsulated

Rated voltage reduced to 50V

Selectable connecting link

When selectable connecting links are used, the rated voltage is reduced to 380V!

Type	Part No.	Std. Pack	Type	Part No.	Std. Pack	Type	Part No.	Std. Pack
WK 2,5/U, Spacing 5mm, Screw M2,5			WK 2,5/U, Spacing 5mm, Screw M2,5			WK 2,5/U, Spacing 5mm, Screw M2,5		
IVB WK 2,5-2	Z7.280.2227.0	10	VB WK 2,5-2	Z7.280.0227.0	10	Select. connecting link	Z7.269.4023.0	50
IVB WK 2,5-3	Z7.280.2327.0	10	VB WK 2,5-3	Z7.280.0327.0	10	Test socket	05.509.6021.0	10
IVB WK 2,5-4	Z7.280.2427.0	10	VB WK 2,5-6	Z7.280.0627.0	10			
:	:		VB WK 2,5 M-80	Z7.280.0027.0	10			
IVB WK 2,5-12	Z7.280.3227.0	10	every 2nd pol (40 pole)	Z7.280.1027.0	10			
WK 4/U, Spacing 6mm, Screw M3			WK 4/U, Spacing 6mm, Screw M3			WK 4/U, Spacing 6mm, Screw M3		
IVB WK 4-2	Z7.281.1227.0	10	VB WK 4-2	Z7.281.0227.0	10	Select. connecting link	Z7.269.4123.0	50
IVB WK 4-3	Z7.281.1327.0	10	VB WK 4-3	Z7.281.0327.0	10	Test socket	05.508.8921.0	10
IVB WK 4-4	Z7.281.1427.0	10	VB WK 4-6	Z7.281.0627.0	10			
:	:		VB WK 4 M-70	Z7.281.0027.0	10			
IVB WK 4-12	Z7.281.2227.0	10	every 2nd pol (30 pole)	Z7.281.1027.0	10			
WK 6/U, Spacing 8mm, Screw M3,5			WK 6/U, Spacing 8mm, Screw M3,5			WK 6/U, Spacing 8mm, Screw M3,5		
IVB WK 6-2	Z7.282.2227.0	10	VB WK 6-2	Z7.282.0227.0	10	Select. connecting link	Z7.269.4223.0	50
IVB WK 6-3	Z7.282.2327.0	10	VB WK 6-3	Z7.282.0327.0	10			
:	:		VB WK 6-6	Z7.282.0627.0	10			
IVB WK 6-12	Z7.282.3227.0	10	VB WK 6 M-70	Z7.282.0027.0	10			
WKN 10/U, Spacing 10mm, Screw M3,5			WKN 10/U, Spacing 10mm, Screw M3,5					
IVB WKN 10-2	Z7.283.2227.0	10	VB WKN 10-2	Z7.283.6227.0	10			
IVB WKN 10-3	Z7.283.2327.0	10	VB WKN 10-3	Z7.283.6327.0	10			
:	:		VB WKN 10-6	Z7.283.6627.0	10			
IVB WKN 10-12	Z7.283.3227.0	10	VB WKN 10 M-40	Z7.283.6027.0	10			
WKN 16/U, Spacing 12mm, Screw M4			WKN 16/U, Spacing 12mm, Screw M4					
IVB WKN 16-2	Z7.284.2227.0	10						
IVB WKN 16-3	Z7.284.2327.0	10						
IVB WKN 16-12	Z7.284.3227.0	10						
IVB WKN 16 M-30	Z7.284.2027.0	10						
WKN 35/U, Spacing 16mm, Screw M5			WKN 35/U, Spacing 16mm, Screw M5					
IVB WKN 35-2	Z7.285.2227.0	10						
IVB WKN 35-3	Z7.285.2327.0	10						
IVB WKN 35-12	Z7.285.3227.0	10						
IVB WKN 35 M-20	Z7.285.2027.0	10						
WKN 70/U, Spacing 24mm, Screw M6			WKN 70/U, Spacing 24mm, Screw M6					
			VB WKN 70-2	Z7.286.3227.0	10			
			VB WKN 70-3	Z7.286.3327.0	10			
			VB WKN 70-4	Z7.286.3427.0	10			
			VB WKN 70-5	Z7.286.3527.0	10			
			VB WKN 70-6	Z7.286.3627.0	10			
WKN 150/U, Spacing 28mm, Screw M8			WKN 150/U, Spacing 28mm, Screw M8					
			VB WKN 150-2	Z7.287.1227.0	5			
			VB WKN 150-3	Z7.287.1327.0	5			



Cover for cross connector

over 10 blocks

Version E and „blank“ without opening

Version P with opening for test pin

Cover strip with warning symbol

over 4 blocks

Single cover with marking facility for cross connector

type AD VB ...

Partition plate with marking facility for cross connector

type TS ...

Type	Part No.	Std. Pack	Type	Part No.	Std. Pack	Type	Part No.	Std. Pack
WK 2,5/U, Spacing 5mm			WK 2,5/U, Spacing 5mm			WK 2,5/U, Spacing 5mm		
AD VB 5/10 E GELB	04.342.0556.8	10	AD 5/4 GELB	04.343.4756.8	10	AD VB 2,5 GELB	04.326.2053.8	10
AD VB 5/10 P GELB	04.342.3556.8	10				TS 2,5 GELB	07.311.2053.8	10
WK 4/U, Spacing 6mm			WK 4/U, Spacing 6mm			WK 4/U, Spacing 6mm		
AD VB 6/10 E GELB	04.342.0656.8	10	AD 6/4 GELB	04.343.4856.8	10	AD VB 4 GELB	04.326.2153.8	10
AD VB 6/10 P GELB	04.342.3656.8	10				TS 4 GELB	07.311.2153.8	10
WK 6/U, Spacing 8mm			WK 6/U, Spacing 8mm, Screw M3,5			WK 6/U, Spacing 8mm, Screw M3,5		
AD VB 8/10 E GELB	04.342.0856.8	10	AD 8/4 GELB	04.343.4956.8	10	AD VB 6 GELB	04.326.2253.8	10
AD VB 8/10 P GELB	04.342.3856.8	10				TS 6 GELB	07.311.2253.8	10
WKN 10/U, Spacing 10mm			WKN 10/U, Spacing 10mm, Screw M3,5			WKN 10/U, Spacing 10mm, Screw M3,5		
AD VB 10/10 E GELB	04.342.1056.8	10	ADN 10/4 GELB	04.343.5056.8	10	AD VB 10 GELB	04.326.2353.8	10
AD VB 10/10 P GELB	04.342.4056.8	10				TS 10 GELB	07.311.2353.8	10
			WKN 16/U, Spacing 12mm, Screw M4			WKN 16/U, Spacing 12mm, Screw M4		
			ADN 12/4 GELB	04.343.5156.8	10	AD VB 16 GELB	04.326.2453.8	10
						TSN 16 GELB	07.311.8453.8	10
			WKN 35/U, Spacing 16mm, Screw M5			WKN 35/U, Spacing 16mm, Screw M5		
			AD 16/4 GELB	04.343.5256.8	10	AD VB 35 GELB	04.326.2553.8	10
			WKN 70/U, Spacing 24mm, Screw M6			WKN 70/U, Spacing 24mm, Screw M6		
			AD 24/4 GELB	04.343.5356.8	10	AD VB 70 GELB	04.326.2653.8	10
			WKN 150/U, Spacing 28mm, Screw M8			WKN 150/U, Spacing 28mm, Screw M8		
			ADN 28/4 GELB	04.343.5456.8	10			

Accessories for DIN rail terminal blocks with screw connection



Cross connectors, insulated Jumper comb, insulated

Cross connectors, uninsulated Jumper comb, uninsulated

Rated voltage reduced to 50V

Selectable connecting link Test socket

When selectable connecting links are used, the rated voltage is reduced to 380V!

Type	Part No.	Std. Pack	Type	Part No.	Std. Pack	Type	Part No.	Std. Pack
WK 2,5/U, Spacing 5mm, Screw M2,5			WK 2,5/U, Spacing 5mm, Screw M2,5			WK 2,5/U, Spacing 5mm, Screw M2,5		
IVB WK 2,5-2	Z7.280.2227.0	10	VB WK 2,5-2	Z7.280.0227.0	10	Select.connecting link	Z7.269.4023.0	50
IVB WK 2,5-12	Z7.280.3227.0	10	VB WK 2,5-6	Z7.280.0627.0	10	Test socket	05.509.6021.0	10
			VB WK 2,5 M-80	Z7.280.0027.0	10			
WKN 2,5 E/U, Spacing 5mm, Screw M2,5			WKN 2,5 E/U, Spacing 5mm, Screw M2,5			WKN 2,5 E/U, Spacing 5mm, Screw M2,5		
IVB WK 2,5-2	Z7.280.2227.0	10	VB WK 2,5-2	Z7.280.0227.0	10			
IVB WK 2,5-12	Z7.280.3227.0	10	VB WK 2,5-6	Z7.280.0627.0	10	Test socket	05.509.6021.0	10
			VB WK 2,5 M-80	Z7.280.0027.0	10			
WK 4/U, Spacing 6mm, Screw M3			WK 4/U, Spacing 6mm, Screw M3			WK 4/U, Spacing 6mm, Screw M3		
Cross connector, insulated			Cross connector, uninsulated					
IVB WK 4-2	Z7.281.1227.0	10	VB WK 4-2	Z7.281.0227.0	10	Select. connecting link	Z7.269.4123.0	50
IVB WK 4-12	Z7.281.2227.0	10	VB WK 4-6	Z7.281.0627.0	10	Test socket	05.508.8921.0	10
			VB WK 4 M-70	Z7.281.0027.0	10			
WK 4/U and WK 4 TK., Spacing 6mm, 0,5mm thick			WK 4/U and WK 4 TK., Spacing 6mm, 0,5mm thick					
Jumper comb, insulated			Jumper comb, uninsulated					
IVB 0,5 WK 4-2	Z7.255.0227.0	10	VB 0,5 WK 4-2	07.255.0227.0	10			
IVB 0,5 WK 4-12	Z7.255.0227.0	10	VB 0,5 WK 4-12	07.255.0227.0	10			
WK 4/U and WK 4 TK., Spacing 6mm, 1mm thick			WK 4/U and WK 4 TK., Spacing 6mm, 1mm thick					
Jumper comb, insulated			Jumper comb, uninsulated					
IVB 1 WK 4-2	Z7.255.4227.0	10	VB 1 WK 4-2	07.255.4227.0	10			
IVB 1 WK 4-12	Z7.255.4227.0	10	VB 1 WK 4-12	07.255.4227.0	10			
WK 4 D1/2 and D2/2, Spacing 6mm, Screw M3			WK 4 D1/2 and D2/2, Spacing 6mm, Screw M3			WK 4 D1/2 and D2/2, Spacing 6mm, Screw M3		
IVB WK 4/D..-2	Z7.281.7227.0	10	VB WK 4D..-2	Z7.281.6227.0	10			
IVB WK 4/D..-12	Z7.281.7427.0	10	VB WK 4D..-6	Z7.281.6627.0	10	Test socket	05.508.8921.0	10
			VB WK 4D.. M-70	Z7.281.6027.0	10			
WK 4 D/E/U, Spacing 6mm, Screw M3			WK 4 D1/2 and D2/2, Spacing 6mm, Screw M3			WK 4 D1/2 and D2/2, Spacing 6mm, Screw M3		
IVB WK 4/DEU-2	Z7.271.0227.0	10	9215-2	Z7.210.3227.0	50			
IVB WK 4/DEU-12	Z7.271.1227.0	10	9215-6	Z7.210.3427.0	50	Test socket	05.508.8921.0	10
			9215 M-70	Z7.210.3027.0	10			
WK 4 E/U, Spacing 6mm, Screw M3			WK 4 E/U, Spacing 6mm, Screw M3			WK 4 E/U, Spacing 6mm, Screw M3		
Cross connection, insulated for upper tier			Cross connection, insulated for upper tier					
IVB WK 4E/U-2	Z7.271.2227.0	10	9215-2	Z7.210.3227.0	50	Select. connecting link	Z7.269.2923.0	50
IVB WK 4E/U-12	Z7.271.3227.0	10	9215-6	Z7.210.3427.0	50	Test socket	05.508.8921.0	10
			9215 M-70	Z7.210.3027.0	10			
WK 4 E/U, Spacing 6mm, 1mm thick			WK 4 E/U, Spacing 6mm, 1mm thick					
Jumper comb, insulated for lower tier without wire			Jumper comb, insulated for lower tier without wire					
IVB WK 4E-2	Z7.255.2227.0	10	VB WK 4E-2	07.255.2227.0	10			
IVB WK 4E-12	Z7.255.3227.0	10	VB WK 4E-12	07.255.3227.0	10			
Jumper comb, insulated for lower tier with wire			Jumper comb, insulated for lower tier with wire					
IVBS WK 4E-2	Z7.256.4227.0	10	VBWS WK 4E-2	07.256.4227.0	10			
IVBS WK 4E-12	Z7.256.5227.0	10	VBWS WK 4E-12	07.256.5227.0	10			



Cover for cross connector

over 10 blocks
Version E and „blank“ without opening
Version P with opening for test pin

Cover strip with warning symbol

over 4 blocks

Single cover with marking facility for cross connector

type AD VB ...

Partition plate with marking facility for cross connector

type TS ...

Type	Part No.	Std. Pack	Type	Part No.	Std. Pack	Type	Part No.	Std. Pack
WK 2,5/U, Spacing 5mm			WK 2,5/U, Spacing 5mm			WK 2,5/U, Spacing 5mm		
AD VB 5/10 E GELB	04.342.0556.8	10	AD 5/4 GELB	04.343.4756.8	10	AD VB 2,5 GELB	04.326.2053.8	10
AD VB 5/10 P GELB	04.342.3556.8	10				TS 2,5 GELB	07.311.2053.8	10
WKN 2,5 E/U, Spacing 5mm			WKN 2,5 E/U, Spacing 5mm			WKN 2,5 E/U, Spacing 5mm		
AD VB 5/10 E GELB	04.342.0556.8	10	AD 5/4 GELB	04.343.4756.8	10	AD VB 2,5 GELB	04.326.2053.8	10
AD VB 5/10 P GELB	04.342.3556.8	10				TS 2,5 GELB	07.311.2053.8	10
WK 4/U, Spacing 6mm			WK 4/U, Spacing 6mm			WK 4/U, Spacing 6mm		
AD VB 6/10 GELB	04.342.0656.8	10	AD 6/4 GELB	04.343.4856.8	10	AD VB 4 GELB	04.326.2153.8	10
AD VB 6/10 P GELB	04.342.3656.8	10				TS 4 GELB	07.311.2153.8	10
WK 4 D1/2 and D2/2, Spacing 6mm			WK 4 D1/2 and D2/2, Spacing 6mm			WK 4 D1/2 and D2/2, Spacing 6mm		
AD VB 6/10 GELB	04.342.0656.8	10				AD VB 4 GELB	04.326.2153.8	10
AD VB 6/10 P GELB	04.342.3656.8	10				TS 4/15 GELB	07.311.2953.8	10
WK 4 D/E/U, Spacing 6mm			WK 4 D/E/U, Spacing 6mm			WK 4 D/E/U, Spacing 6mm		
AD VB 6/10 GELB	04.342.0656.8	10				AD VB 4 GELB	04.326.2153.8	10
AD VB 6/10 P GELB	04.342.3656.8	10				TS 4/15 GELB	07.311.2953.8	10
WK 4 E/U, Spacing 6mm			WK 4 E/U, Spacing 6mm			WK 4 E/U, Spacing 6mm		
AD VB 6/10 E GELB	04.342.2656.8	10				AD VB 4/15 GELB	04.326.2953.8	10
AD VB 6/10 EP GELB	04.342.5656.8	10						

Accessories for DIN rail terminal blocks with screw connection



Test plug
Short-circuit plug
Test Sockets
250V/2A

Test adapter with solder connection,
can be snapped on modularly

Test adapter
for WK 4

Part No.			Std. Pack			Part No.			Std. Pack			
WK 2,5 ... and WKN 2,5 ..., Spacing 5 mm,			WK 2,5, Spacing 5 mm									
Screw M2,5												
Test plug ST 2/2 RT	Z5.553.2921.0	10										
Test plug ST 2/2 SW	Z5.553.2921.1	50										
Test plug ST 2/2 BL	Z5.553.2921.6	100										
Test socket for WK 2,5	05.509.6021.0	10										
WK 4 ... , Spacing 6 mm, Screw M3			WK 4 ... , Spacing 6 mm			WK 4/U, Spacing 6 mm						
Test plug ST 2/2,3 RT	Z5.553.2921.0	10	Test adapter for WK 4, 230V/2A			Test adapter for WK 4, 10-250V/10 mA - 3.5 A						
Test plug ST 2/2,3 SW	Z5.553.2921.1	50	with locking			Z1.299.6153.0	10	1 pole, without cont. pin			Z1.299.9253.0	10
Test plug ST 2/2,3 BL	Z5.553.2921.6	100	without locking			Z1.299.8153.0	10	1 pole, snap-on			Z1.299.9453.0	10
Short-circuit plug	Z5.553.9400.0	100	Test adapter for WK 4 E, 230V/5A			10 pole with locking device and strain relief						
Test socket for WK 4...	05.509.8921.0	10	with locking			Z1.299.9053.0	10	PST10-WK4			Z1.299.9553.0	10
Test socket for WK 4 E...	05.509.8821.0	10	Contact pin			05.549.1200.0	1	Contact pin			05.549.1200.0	1
WK 6, Spacing 8 mm, Screw M3,5												
Test plug ST 2/4 SW	Z5.553.3021.0	10										
Test socket for WK 6	05.508.3221.0	10										
WKN 10, Spacing 10 mm, Screw M3,5												
Test plug ST 2/4 SW	Z5.553.3021.0	10										
Test socket for WK 10	05.509.3121.0	10										
WKN 16, Spacing 12 mm, Screw M5												
Test plug ST 2/4 SW	Z5.553.3021.0	10										
Test socket for WK 10	05.509.3121.0	10										
WKN 35, Spacing 16 mm, Screw M6												
Test plug ST 2/4 SW	Z5.553.3021.0	10										
Test socket for WK 10	05.509.3121.0	10										



Rapid mounting tool

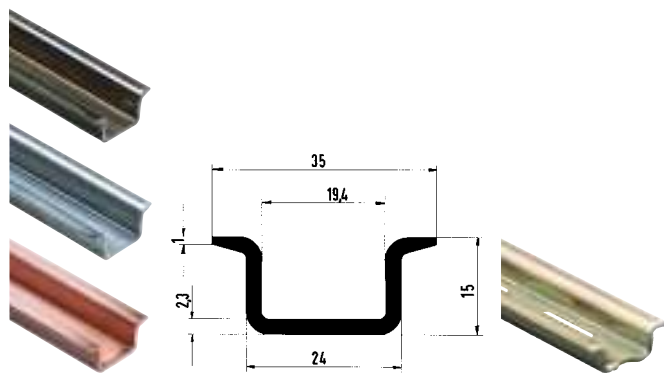
Screwdriver
as tool to be used

Tightening torques as per EN 60947-1
for **selos** DIN rail blocks

- II Screws which are tightened with a screwdriver
- III Screws which are tightened with a tool other than a screwdriver

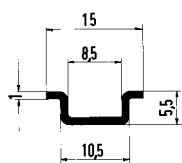
Part No.	Std. Pack	Type	Part No.	Std. Pack		II	III
WK 2,5, Spacing 5mm			WK 2,5, Spacing 5mm			WK 2,5, Spacing 5mm	
Rapid mounting tool	05.594.5853.0	10	Design: uninsulated, long and straight				
			DIN 5264 B 0,6x3,5	06.502.4000.0	10	Screw for clamping body M2,5*	Nm 0,4 10,4
						Screw for cross connector M2,5*	Nm 0,4 0,4
			Design: uninsulated, short and straight				
			DIN 5264 B 0,6x3,5	06.502.4000.0	10		
WK 4 ... , Spacing 6mm			WK 4 ... , Spacing 6mm			WK 4 ... , Spacing 6mm	
for WK 4/U			Design: uninsulated, long and straight				
Rapid mounting tool	05.594.5953.0	10	DIN 5264 B 0,6x3,5	06.502.4000.0	10	Screw for clamping body M3*	Nm 0,5 0,5
						Screw for cross connector M3*	Nm 0,5 0,5
for WK 4 E/U			Design: uninsulated, short and straight				
Rapid mounting tool	05.594.8153.0	10	DIN 5264 B 0,6x3,5	06.502.4000.0	10		
WK 6, Spacing 8mm			WK 6, Spacing 8mm			WK 6, Spacing 8mm	
Rapid mounting tool	05.594.6053.0	10	Design: uninsulated, long and straight				
			DIN 5264 B 0,8x4	06.502.4100.0	10	Screw for clamping body M4*	Nm 1,2 1,2
						Screw for cross connector M3.5*	Nm 0,8 0,8
			WKN 10, Spacing 10mm			WKN 10, Spacing 10mm	
			Design: uninsulated, long and straight			Screw for clamping body M5*	Nm 2,0 2,0
			DIN 5264 B 1x5,5	06.502.4200.0	10	Screw for cross connector M3.5*	Nm 0,8 0,8
			WKN 16, Spacing 12mm			WKN 16, Spacing 12mm	
			DIN 5264 B 1x5,5	06.502.4200.0	10	Screw for clamping body M6*	Nm 2,5 3,0
						Screw for cross connector M4*	Nm 1,2 1,2
			WKN 35, Spacing 16mm			WKN 35, Spacing 16mm	
						Screw for clamping body M6*	Nm 2,5 3,0
						Screw for cross connector M5*	Nm 2,0 2,0
			WKN 70, Spacing 24mm			WKN 70, Spacing 24mm	
						Screw for clamping body M8*	Nm 3,5 6,0
						Screw for cross connector M6*	Nm 2,5 3,0
			WKN 150, Spacing 28mm			WKN 150, Spacing 28mm	
						Screw for clamping body M10*	Nm 4,0 10,0
						Screw for cross connector M8*	Nm 3,5 6,0

*See also AT catalog, chapter on **facts** & DATA



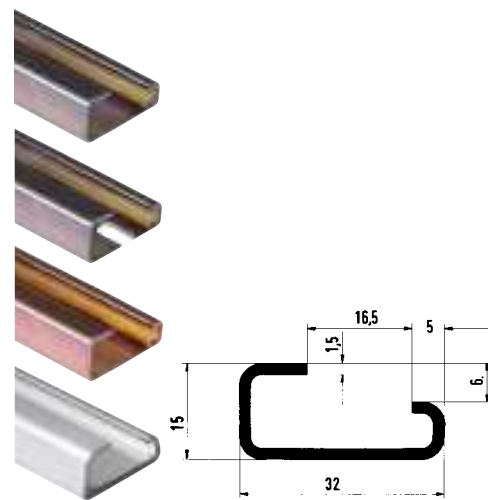
**Mounting rail 35x15
according to DIN EN 60715**

Type	Part No.	Std. Pack
35 x 24 x 15 EN 60715	98.360.0000.0	1
35 x 24 x 15 EN 60715 ZN	98.360.0004.0	1
35 x 24 x 15 EN 60715 CU	98.380.0000.0	10
9018 D	Z5.516.2511.0	50
9018 H	Z5.516.2711.0	50
9018 N	Z5.516.2811.0	50



**Mounting rail 15x5,5
according to DIN EN 60715**

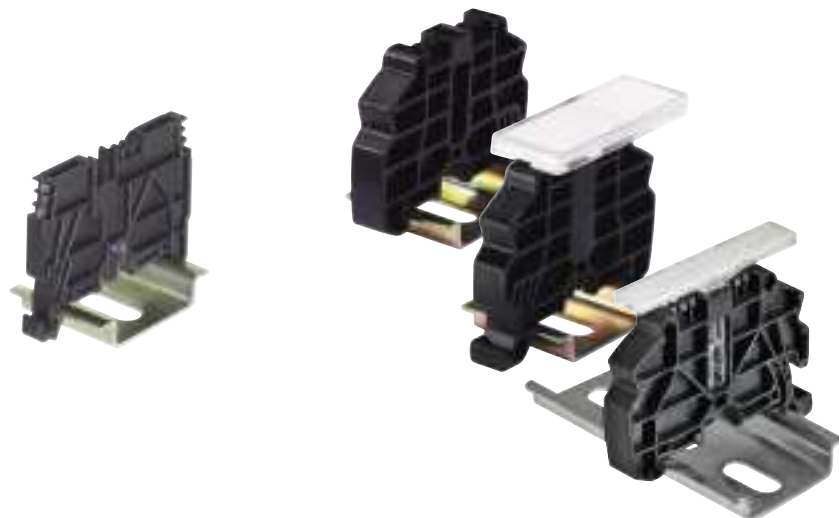
Type	Part No.	Std. Pack
9021 / 15 x 5,5 EN 60715	98.090.0015.0	10
9021 / 15 x 5,5 EN 60715	98.090.0000.0	1



**Mounting rail 32x15
according to DIN EN 60715**

Type	Part No.	Std. Pack
9006 EN 60715 G-32	98.190.0000.0	1
9006 EN 60715 G-32	98.190.1000.0	1
9006 E-CU	98.220.0000.0	10
9006 AL	98.210.0000.0	1
9018 D	Z5.516.2511.0	50
9018 H	Z5.516.2711.0	50
9018 N	Z5.516.2811.0	50

Accessories for DIN rail terminal blocks with screw connection



End clamp for TS 35 no-screw mounting

End clamp for TS 35 no-screw mounting

		Type	Part No.	Std. Pack			
End clamp					Type	Part No.	Std. Pack
1.	End clamp TS 35 without screws 5 mm wide	WEF 2 /35	Z5.523.9453.0	100			
2.	End clamp TS 35 without screws 8 mm wide				WEF 1 /35	Z5.523.9353.0	100
3.	End clamp TS 35 without screws 17.5 mm wide with marking facilities				WEF 1 BS /35	69.920.1053.0	100
4.	End clamp TS 35 without screws 8 mm wide with marking facilities				WEF 1 BSS /35	69.920.1253.0	100
5.	End clamp TS 35 with screws 8 mm wide						
6.	End clamp TS 35 with screws 17.5 mm wide with marking facilities						
7.	End clamp TS 15 with screws 7.5 mm wide End clamp, steel (without picture) 5 mm wide						
8.	End clamp with U-foot 10 mm wide						
9.	End clamp with U-foot 17.5 mm wide with marking facilities						
10.	End clamp with U-foot 10 mm wide						
11.	End clamp with U-foot 17.5 mm wide with marking facilities						
Accessories							
	Marking tag for WEF 1/35 wide				BS/R	69.920.1053.0	10
	Marking cardboard in perforated sheets 100 tags /sheet					04.019.0289.0	10
	Marking tag for WEF 1/35 small					04.243.8550.0	10
	Marking cardboard in perforated sheets small					04.019.1189.0	10



End clamp for TS 35 screw mounting

End clamp for TS 15 screw mounting

End clamp with U-foot screw mounting

Type	Part No.	Std. Pack	Type	Part No.	Std. Pack	Type	Part No.	Std. Pack
9708/2 S 35	Z5.522.8553.0	100						
9708/2 BS 35	69.920.0553.0	100						
			9208 S 15	Z5.522.7553.0	100			
			9222 S 15	Z5.522.5010.0	100			
						WE 1 /U	Z5.523.5753.0	100
						WE 1 BS /U	69.920.0753.0	100
						WE 2 /U	Z5.523.5653.0	100
						WE 2 BS /U	69.920.0653.0	100
	04.019.0289.0	10						

Configuration and marking systems for DIN rail terminal blocks



Configuration software **wieplan**

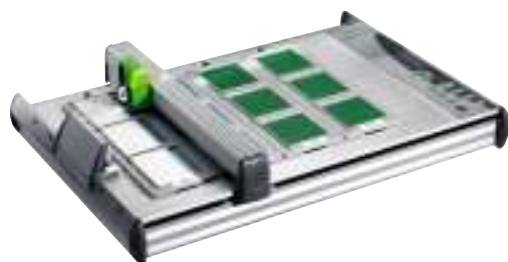
Type	Part No.	Std. Pack
wieplan CD	95.502.1000.0	1
Contents:		
CD with cover		
Description:		
<p>wieplan is a software used to configure, document and order DIN rail terminal block assemblies. The intuitive user interface makes working with wieplan as easy as child's play.</p> <p>wieplan enables data exchange through CAE systems:</p> <ul style="list-style-type: none"> - EPLAN 5 - EPLAN Electric P8 		
System requirements:		
Pentium II PC or compatible, min. 200MHz		
64 Mbyte RAM		
CD-ROM drive		
VGA graphics adapter and monitor		
wieplan supports:		
- Windows 98®		
- Windows 2000®		
- Windows NT®		
- Windows ME®		
- Windows XP®		
see page 10		

Marking computer **marcom 2**

Type	Part No.	Std. Pack
marcom 2	95.502.0000.0	1
Contents:		
Marking computer in case		
European power supply unit		
Power Pack		
Data cassette with job memory		
Marking tag carrier		
Plotter pen 0.25mm		
Cleaning set		
Description:		
<p>marcom 2 is a freely programmable marking computer for DIN rail terminal blocks, pluggable connectors, switching devices and cables. The computer provides of a large number of fonts, with numerical and alphanumeric characters and symbols.</p> <p>marcom 2 is portable and can be used at any location; it can be operated either using the mains or batteries.</p>		
Technical data:		
Operator panel:	190 mm x 45 mm	
Resolution:	0.01 mm	
Power supply unit:	50/60Hz, 100 - 230V	
Output voltage:	9.5V (150mV/1.4VA)	
	14V (450mA/6,3VA)	
Replaceable battery:	16.8V (14 NiCd cells)	
Dimensions:	380 mm x 190 mm x 63 mm	
Weight:	6.2 kg	
see page 10		

Marking software **wiemarc**

Type	Part No.	Std. Pack
wiemarc CD	95.502.0501.0	1
Contents:		
CD with cover		
Description:		
<p>wiemarc is a Windows® based plotter software for customized marking using the wieplot500 plotter system.</p> <p>Both the Wieland standard marking system and marking tags and labels of other suppliers can be marked easily. The wiemarc software version 4.0 provides the option of connecting to the wieplot500 E-UNIT engraving system.</p>		
System requirements:		
Pentium II PC or compatible, min. 200MHz		
64 Mbyte RAM		
CD-ROM drive		
VGA graphics adapter and monitor		
wiemarc supports:		
- Windows 98®		
- Windows 2000®		
- Windows NT®		
- Windows ME®		
- Windows XP®		
see page 11		



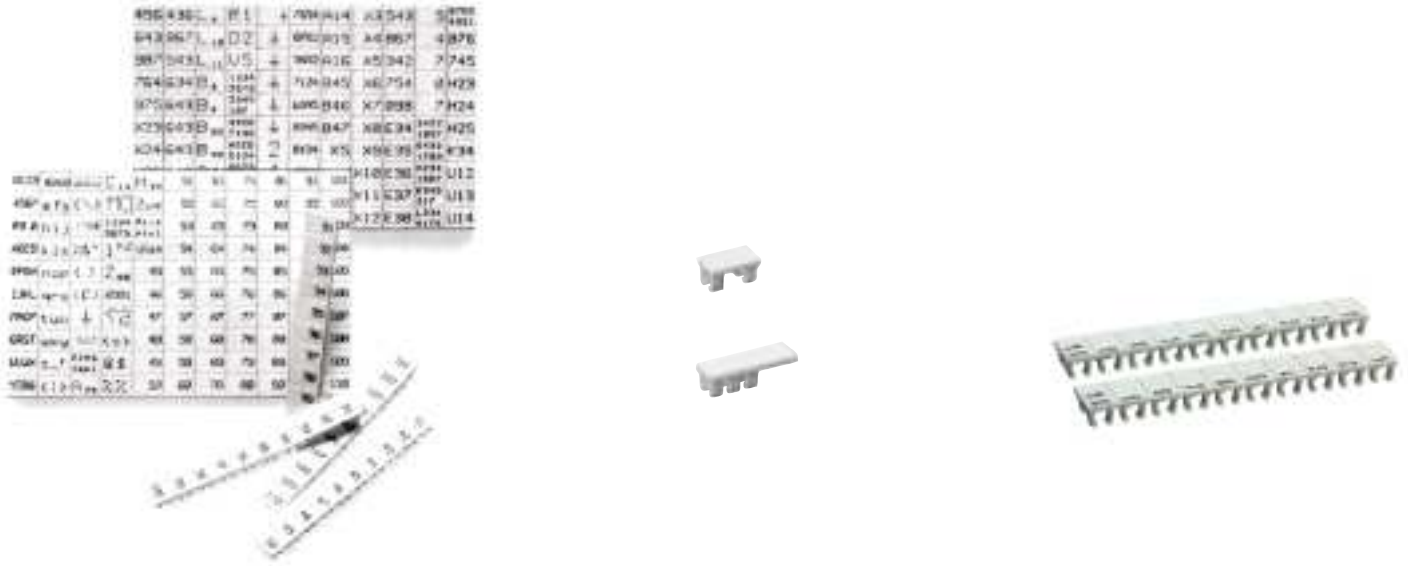
Plotter system *wieplot*⁵⁰⁰

Accessories for *wieplot*⁵⁰⁰

Engraving unit for *wieplot*⁵⁰⁰

Type	Part No.	Std. Pack	Type	Part No.	Std. Pack	Type	Part No.	Std. Pack
Complete package	95.502.0604.0	1	Accessories Kit	95.502.0610.0	1	wieplot 500 E-UNIT	95.502.0700.0	1
Contents:			Contents:			Contents:		
Plotter <i>wieplot</i> ⁵⁰⁰			Plotter pen 0,25mm with ink cartridge			Engraving spindle		
Data cable and manual			Permanent Plotter pen 0.3mm			Engraving head (with fuse and counter bearing)		
4 receptacles for WSB*			Cleaning set			Control unit <i>wieplot</i> ^{VEC} 500		
Accessories kit			Plotter pens for <i>wieplot</i>⁵⁰⁰ System:			Vacuum cleaner <i>wieplot</i> ^{VC} 500		
Software <i>wiemarc</i>						Connection cables		
						Plotter pen 0.18 mm 95.502.0118.0		
						Plotter pen 0.25 mm 95.502.0125.0		
						Plotter pen 0.35 mm 95.502.0135.0		
Description:			Plotter pen 0.50 mm 95.502.0150.0			Description:		
With <i>wiemarc</i> you can create customized marking data on your PC. These can then be output on the <i>wieplot</i> ⁵⁰⁰ plotter system to various marking plates.			Plotter pen 0.70 mm 95.502.0170.0			The <i>wieplot</i> ⁵⁰⁰ E-UNIT engraving unit has been designed for use with the <i>wieplot</i> ⁵⁰⁰ plotter. The system is set up for engraving multi-layer plastic tags.		
* WSB (= Wieland standard marking system)			Plotter pen 1.00 mm 95.502.0100.0			The Plotboard A4 in a 297x202 mm format is the receptacle for marking paper sheets and labels and also enables engraving of plastic boards.		
			Perm. pl. pen 0.30 mm 95.502.0230.0					
			Perm. pl. pen 0.70 mm 95.502.0270.0					
			Dispos. pl. pen 0.25 mm 95.502.0125.1					
			Dispos.pl. pen 0.35 mm 95.502.0135.1					
			Hand pens 0.25 mm 95.502.0425.0					
			Hand pens 0.35 mm 95.502.0435.0					
			Hand pens 0.50 mm 95.502.0450.0					
			Hand pens 0.70 mm 95.502.0470.0					
Technical data:			Accessories:			Accessories:		
Resolution:	0.01 mm		Ink cartridge P1.0, 5 x1ml	95.502.0199.0		Graving tool SET, complete	95.502.0710.0	
Accuracy:	+/- 0.05 mm		Cleaning set	95.502.0198.0		Graving tool 0.2 mm	95.502.0710.2	
Power supply unit:	50/60 Hz, 100 - 240 V		Pen cleaner	95.502.0197.0		Graving tool 0.3 mm	95.502.0710.3	
Output voltage:	24 VDC 1.4 A		Dust protection hood	95.502.0612.0		Graving tool 0.4 mm	95.502.0710.4	
Current input:	app. 0,3A at 220 V		Service kit – pen station	95.502.0613.0		Graving tool 0.5 mm	95.502.0710.5	
Approval:	UL-UL1950		Seal inserts kit			Graving tool 0.7 mm	95.502.0710.7	
	CSA 950					Graving tool 1.0 mm	95.502.0711.0	
	VDE EN 60950		Receptacles (Rec.) for Wieland marking plates			Receptacle:		
Radio interf. suppr.:	FCC class B		Receptacle for WSB	95.502.0620.0		Plotboard A4	95.502.0625.0	
	FCC sect. 15 and VDE class B		Rec. for BZ/WKF 15,	95.502.0627.0				
Dimensions:	660 mm x 440 mm x 125 mm		Rec. for BZ/WKF 1,5/10	95.502.0628.0				
Weight:	8 kg		Available on request:					
Interfaces:	USB Level 1.1, parallel		Receptacles for marking systems from competition					
see page 11			Use of <i>wiemarc</i> with non-Wieland plotter systems					

Marking accessories for DIN rail terminal blocks



Marking plates

for **marcom 2** marking computer
for **wieplot500** plotter system

All blocks/ 5 mm wide and larger

2.5 mm²/5 mm wide

Type	Part No.	Std. Pack	Type	Part No.	Std. Pack	Type	Part No.	Std. Pack
Marking plate, unmarked			Single marking tag, unmarked			Marking strips, unmarked		
Width 5 x 8.3mm		110 tags per plate	Width 5 x 8.3mm			9705 A/5/10	04.242.5053.0	25
9705 A/5/10/11	Z4.242.5053.0	10	9705 A	04.242.0850.0	500	Marking strips, marked		
Width 5 x 14mm		60 tags per plate	Width 5 x 14mm			9705A/5/9 B 1 - 9	04.842.4953.0	25
9705 AL/5/10/6	Z4.242.5153.0	10	9705 AL	04.242.1553.0	500	9705A/5/10 B *	04.842.5053.0	25
Marking plate, unmarked			Single marking tag, marked			9705A/5/10 B 1 - 10	04.845.0153.0	25
Width 6 x 8.3mm		110 tags per plate	Width 5 x 8.3mm			9705A/5/10 B 11 - 20	04.845.0253.0	25
9705 A/6/10/11	Z4.242.6053.0	10	9705 AB *	04.842.0850.0	500	9705A/5/10 B 21 - 30	04.845.0353.0	25
Width 6 x 14mm		60 tags per plate	Width 5 x 14mm			9705A/5/10 B 31 - 40	04.845.0453.0	25
9705 AL/6/10/6	Z4.242.6153.0	10	9705 ALB *	04.842.1553.0	500	9705A/5/10 B 41 - 50	04.845.0553.0	25
Marking plate, unmarked						9705A/5/10 B 51 - 60	04.845.0653.0	25
Width 8 x 8.3mm		70 tags per plate				9705A/5/10 B 61 - 70	04.845.0753.0	25
9705 A/8/10/7	Z4.242.8053.0	10				9705A/5/10 B 71 - 80	04.845.0853.0	25
						9705A/5/10 B 81 - 90	04.845.0953.0	25
						9705A/5/10 B 91 - 100	04.845.1053.0	25
						9705A/5/10B SLZ	04.855.0053.0	25
						9705A/5/10B ERDZ	04.855.0153.0	25
						9705A/5/10 B +	04.855.0253.0	25
						9705A/5/10 B -	04.855.0353.0	25
						9705A/5/10B L1	04.855.0453.0	25
						9705A/5/10B L2	04.855.0553.0	25
						9705A/5/10B L3	04.855.0653.0	25
						9705A/5/10B PE	04.855.0753.0	25
						9705A/5/10B SL	04.855.3153.0	25
						9705A/5/10B N	04.855.3253.0	25
						9705A/5/10B F1	04.855.0953.0	25
						9705A/5/10B F2	04.855.1053.0	25
						9705A/5/10B L1L2L3NPE..	04.855.0853.0	25
						with enlarged marking area		
						9705 AL/5/10	04.242.5153.0	25

* Custom marking upon request



10 mm²/10 mm wide
16 mm²/12 mm wide
35 mm²/16 mm wide
70 mm²/24 mm wide

4 mm²/6 mm wide

6 mm²/8 mm wide

Type	Part No.	Std. Pack	Type	Part No.	Std. Pack	Type	Part No.	Std. Pack			
Marking strips, unmarked			Marking strips, unmarked			10 mm²/10 mm Baubreite					
9705 A/6/10	04.242.6053.0	25	9705 A/8/10	04.242.8053.0	25				for 5 blocks		
Marking strips, marked			Marking strips, marked						16 mm²/12 mm wide		
9705A/6/9 B 1 - 9	04.842.5953.0	25	9705A/8/9 B 1 - 9	04.842.7953.0	25	9705 A/5/10/5 B	04.842.5553.0	25			
9705A/6/10 B *	04.842.6053.0	25	9705A/8/10 B *	04.842.8053.0	25	16 mm²/12 mm wide					
9705A/6/10 B 1 - 10	04.846.0153.0	25	9705A/8/10 B 1 - 10	04.848.0153.0	25				for 5 blocks		
9705A/6/10 B 11 - 20	04.846.0253.0	25	9705A/8/10 B 11 - 20	04.848.0253.0	25	9705 A/6/10/5 B	04.842.6553.0	25			
9705A/6/10 B 21 - 30	04.846.0353.0	25	9705A/8/10 B 21 - 30	04.848.0353.0	25	35 mm²/16 mm wide					
9705A/6/10 B 31 - 40	04.846.0453.0	25	9705A/8/10 B 31 - 40	04.848.0453.0	25				for 5 blocks		
9705A/6/10 B 41 - 50	04.846.0553.0	25	9705A/8/10 B 41 - 50	04.848.0553.0	25	9705 A/8/10/5 B	04.842.8553.0	25			
9705A/6/10 B 51 - 60	04.846.0653.0	25	9705A/8/10 B 51 - 60	04.848.0653.0	25	70 mm²/24 mm wide					
9705A/6/10 B 61 - 70	04.846.0753.0	25	9705A/8/10 B 61 - 70	04.848.0753.0	25				for 4 blocks		
9705A/6/10 B 71 - 80	04.846.0853.0	25	9705A/8/10 B 71 - 80	04.848.0853.0	25	9705 A/8/10/5 B	04.842.8553.0	25			
9705A/6/10 B 81 - 90	04.846.0953.0	25	9705A/8/10 B 81 - 90	04.848.0953.0	25	70 mm²/24 mm wide					
9705A/6/10 B 91 - 100	04.846.1053.0	25	9705A/8/10 B 91 - 100	04.848.1053.0	25				for 4 blocks		
9705A/6/10 B SLZ	04.856.0053.0	25	9705A/8/10 B SLZ	04.858.0053.0	25	70 mm²/24 mm wide					
9705A/6/10 B ERDZ	04.856.0153.0	25	9705A/8/10 B ERDZ	04.858.0153.0	25				for 4 blocks		
9705A/6/10 B +	04.856.0253.0	25	9705A/8/10 B +	04.858.0253.0	25	9705 A/8/10/5 B	04.842.8553.0	25			
9705A/6/10 B -	04.856.0353.0	25	9705A/8/10 B -	04.858.0353.0	25	70 mm²/24 mm wide					
9705A/6/10 B L1	04.856.0453.0	25	9705A/8/10 B L1	04.858.0453.0	25				for 4 blocks		
9705A/6/10 B L2	04.856.0553.0	25	9705A/8/10 B L2	04.858.0553.0	25	70 mm²/24 mm wide					
9705A/6/10 B L3	04.856.0653.0	25	9705A/8/10 B L3	04.858.0653.0	25				for 4 blocks		
9705A/6/10 B PE	04.856.0753.0	25	9705A/8/10 B PE	04.858.0753.0	25	70 mm²/24 mm wide					
9705A/6/10 B SL	04.856.3153.0	25	9705A/8/10 B SL	04.858.3153.0	25				for 4 blocks		
9705A/6/10 B N	04.856.3253.0	25	9705A/8/10 B N	04.858.3253.0	25	70 mm²/24 mm wide					
9705A/6/10 B F1	04.856.0953.0	25	9705A/8/10 B F1	04.858.0953.0	25				for 4 blocks		
9705A/6/10 B F2	04.856.1053.0	25	9705A/8/10 B F2	04.858.1053.0	25	70 mm²/24 mm wide					
9705A/6/10 B L1L2L3NPE..	04.856.0853.0	25	9705A/8/10 B L1L2L3NPE..	04.858.0853.0	25				for 4 blocks		
with enlarged marking area			with enlarged marking area								
9705 AL/6/10	04.242.6353.0	25									
* Custom marking upon request			* Custom marking upon request								

Marking accessories for DIN rail terminal blocks



Tear-off marking strips

with 10 marking tags

For single symbol marking

Tear-off marking strips

with 10 marking tags

For single symbol marking

Tear-off marking strips

with 10 marking tags

For single symbol marking

Type	Part No.	Std. Pack	Type	Part No.	Std. Pack	Type	Part No.	Std. Pack			
Tear-off marking strips, unmarked			Tear-off marking strips			Tear-off marking strips					
9704 A	04.241.1150.0	25	marked with the same upper case letters			marked with the same lower case letters					
Tear-off marking strips			9704 A /AG B	A	04.841.2250.0	25	9704 A /AK B	a	04.841.4850.0	25	
marked with the same number			9704 A /BG B	B	04.841.2350.0	25	9704 A /BK B	b	04.841.4950.0	25	
9704 A/1 B	1	04.841.1150.0	25	9704 A /CG B	C	04.841.2450.0	25	9704 A /CK B	c	04.841.5050.0	25
9704 A/2 B	2	04.841.1250.0	25	9704 A /DG B	D	04.841.2550.0	25	9704 A /DK B	d	04.841.5150.0	25
9704 A/3 B	3	04.841.1350.0	25	9704 A /EG B	E	04.841.2650.0	25	9704 A /EK B	e	04.841.5250.0	25
9704 A/4 B	4	04.841.1450.0	25	9704 A /FG B	F	04.841.2750.0	25	9704 A /FK B	f	04.841.5350.0	25
9704 A/5 B	5	04.841.1550.0	25	9704 A /GG B	G	04.841.2850.0	25	9704 A /GK B	g	04.841.5450.0	25
9704 A/6 B	6	04.841.1650.0	25	9704 A /HG B	H	04.841.2950.0	25	9704 A /HK B	h	04.841.5550.0	25
9704 A/7 B	7	04.841.1750.0	25	9704 A /IG B	I	04.841.3050.0	25	9704 A /IK B	i	04.841.5650.0	25
9704 A/8 B	8	04.841.1850.0	25	9704 A /JG B	J	04.841.3150.0	25	9704 A /JK B	j	04.841.5750.0	25
9704 A/9 B	9	04.841.1950.0	25	9704 A /KG B	K	04.841.3250.0	25	9704 A /KK B	k	04.841.5850.0	25
9704 A/0 B	0	04.841.2050.0	25	9704 A /LG B	L	04.841.3350.0	25	9704 A /JK B	l	04.841.5950.0	25
Tear-off marking strips			9704 A /MG B	M	04.841.3450.0	25	9704 A /MK B	m	04.841.6050.0	25	
marked with consecutive numbers			9704 A /NG B	N	04.841.3550.0	25	9704 A /NK B	n	04.841.6150.0	25	
9704 A/1-0 B	1-0	04.841.2150.0	25	9704 A /OG B	O	04.841.3650.0	25	9704 A /OK B	o	04.841.6250.0	25
Tear-off marking strips			9704 A /PG B	P	04.841.3750.0	25	9704 A /PK B	p	04.841.6350.0	25	
marked with the same symbols			9704 A /QG B	Q	04.841.3850.0	25	9704 A /QK B	q	04.841.6450.0	25	
9704 A/+	+	04.841.7450.0	25	9704 A /RG B	R	04.841.3950.0	25	9704 A /RK B	r	04.841.6550.0	25
9704 A/-	-	04.841.7550.0	25	9704 A /SG B	S	04.841.4050.0	25	9704 A /SK B	s	04.841.6650.0	25
9704 A//	/	04.841.7650.0	25	9704 A /TG B	T	04.841.4150.0	25	9704 A /TK B	t	04.841.6750.0	25
9704 A/.	.	04.841.7750.0	25	9704 A /UG B	U	04.841.4250.0	25	9704 A /UK B	u	04.841.6850.0	25
				9704 A /VG B	V	04.841.4350.0	25	9704 A /VK B	v	04.841.6950.0	25
				9704 A /WG B	W	04.841.4450.0	25	9704 A /WK B	w	04.841.7050.0	25
				9704 A /XG B	X	04.841.4550.0	25	9704 A /XK B	x	04.841.7150.0	25
				9704 A /YG B	Y	04.841.4650.0	25	9704 A /YK B	y	04.841.7250.0	25
				9704 A /ZG B	Z	04.841.4750.0	25	9704 A /ZK B	z	04.841.7350.0	25
Set of tear-off marking tags			Set of tear-off marking tags			Set of tear-off marking tags					
marked with same numbers			marked with same upper case letters			marked with same lower case letters					
= 10 x 25 strips = 2.500 numbers			= 26 x 25 strips = 6.500 numbers			= 26 x 25 strips = 6.500 numbers					
111 up to 000	04.841.9050.0	1	A up to Z GB	04.841.9150.0	1	A up to Z KB	04.841.9250.0	1			



Assortment box

For marking materials

Marking tag carrier

For all blocks

Partition

with marking facilities

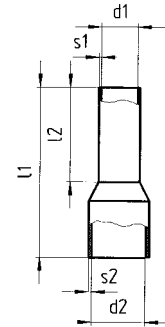
Type	Part No.	Std. Pack	Type	Part No.	Std. Pack	Type	Part No.	Std. Pack
Assortment box for 5 mm width			Marking tag carrier, 4 digits			Partition with carrier for marking tags		
S0 1/5	04.900.2053.0	1	9705 A/4	04.242.0950.0	200	for TS32 and TS35	Z7.311.1755.0	10
Assortment for 5 mm width						for TS 15	Z7.311.2755.0	10
9705 A/5/10 B	1-100 04.855.1153.0	1	Marking tag carrier, 6 digits			Partition with carrier for marking cards		
9705 A/5/10 B	101-200 04.855.1253.0	1	9705 A/6	04.242.1250.0	200	for TS32 and TS35	Z7.311.7055.0	10
Assortment box for 6 mm width			Marking tag carrier, 45° angle			Accessories		
S0 1/6	04.900.3053.0	1	9705 A/4 W	04.242.2853.0	200	Marking card in perforated sheets		100 tags/sheets
Assortment for 6 mm width							04.019.0289.0	10
9705 A/6/10 B	1-100 04.856.1153.0	1						
9705 A/6/10 B	101-200 04.1253.0	1						
Assortment box for 8 mm width								
S0 1/8	04.900.4053.0	1						
Assortment for 8 mm width								
9705 A/8/10 B	1-100 04.858.1153.0	1						
9705 A/8/10 B	101-200 04.858.1253.0	1						
Assortment box for tear-off marking tags								
with 50 digits each								
S0 1/0	04.900.1053.0	1						
Assortment box, empty								
S0 1	04.900.0000.0	1						

Ferrules for DIN rail terminal blocks

Ferrules with insulating material sleeve

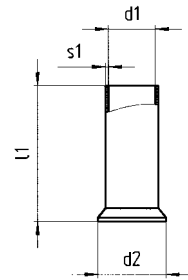
Materials:
Sleeve:
Polypropylene, temperature resistance 105°C,
creepage resistant

Tube:
E-Cu, galvanically tin-plated



Ferrules without insulating material sleeve

Materials:
Tube:
E-Cu, galvanically tin-plated



Cross section mm ²	Color	Type	Part No.	Std. Pack	
Ferrules with insulating material sleeve					
according to DIN 46228T4					
0.50 norm.	white		06.600.2027.0	100	
0.75 norm.	gray		06.600.2127.0	100	
1.00 norm.	red		06.600.2227.0	100	
1.50 norm.	black		06.600.2327.0	100	
1.50 long	black		06.600.2427.0	100	
2.50 norm.	blue		06.600.2527.0	100	
2.50 long	blue		06.600.2627.0	100	
4.00 norm.	gray		06.600.2727.0	100	
4.00 long	gray		06.600.2827.0	100	
6.00 norm.	yellow		06.600.2927.0	100	
6.00 long	yellow		06.600.3027.0	100	
10.00 norm.	red		06.600.3127.0	100	
10.00 long	red		06.600.3227.0	100	
16.00 norm.	blue		06.600.3327.0	100	
16.00 long	blue		06.600.3427.0	100	
25.00 halflong	yellow		06.600.3527.0	50	
Ferrules without insulating material sleeve					
according to DIN 46228T1					
0.50 norm.			06.600.4027.0	1000	
0.75 norm.			06.600.4127.0	1000	
1.00 norm.			06.600.4227.0	1000	
1.50 norm.			06.600.4327.0	1000	
2.50 norm.			06.600.4427.0	1000	
4.00 norm.			06.600.4527.0	1000	
6.00 norm.			06.600.4627.0	500	
10.00 norm.			06.600.4727.0	500	
16.00 norm.			06.600.4827.0	100	
25.00 norm.			06.600.4927.0	100	
35.00 norm.			06.600.5027.0	100	

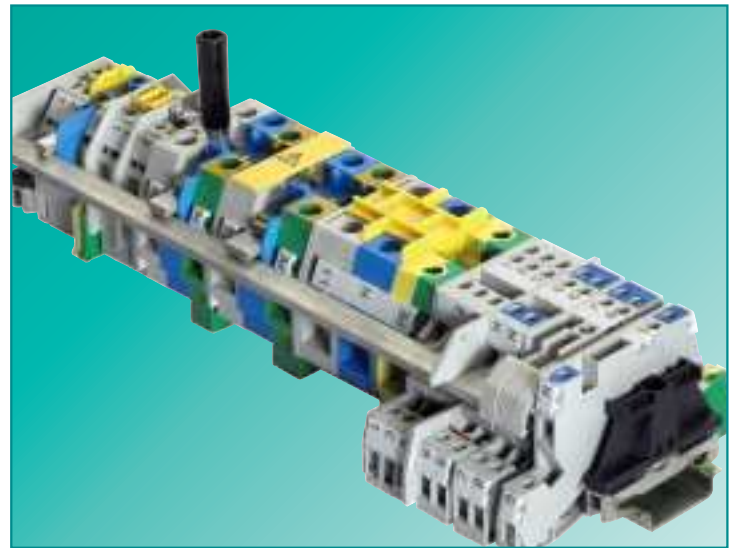
DIN rail terminal blocks for junction boxes with screw connection

„We at Wieland“ know what you need!

For more than 100 years we have been your competent partner in the field of connection technology for your products. Close cooperation with our customers helps to create innovative products manufactured according to the highest quality standards.

Increasing automation as well as the safety functions to be implemented inside buildings increase the requirements for power and signal management in electrical distribution systems. The growing number of circuits and the increasingly confined space available requires a DIN rail terminal block system that reduces the amount and costs of cabling but still enables clear and convenient wiring.

Wieland's DIN rail terminal blocks provide you with the right solution.



selos/fasis BIT

The right solution for your application

All DIN rail terminal blocks of the BIT series comply with the directives for the setup of high-voltage and supply systems for safety services according to VDE 0108 and are designed for use in public buildings. Isolation measurement, for example, can be carried out with the wires connected.

It's your choice. The connection technology can be implemented either in purely spring clamp or screw technology or they can be mixed together.

fasis BIT-S Typ WKIS...

DIN rail terminal blocks with push-in spring connection

The new installation blocks of series **fasis** BIT-S with push-in are an outstanding addition to the existing product range.

fasis BIT-S helps to increase efficiency in electrical installations even more, since rigid as well as flexible wires with ferrules can be directly connected without opening the termination point which saves considerable time.

fasis BIT Type WKF/WKIF...

DIN rail terminal blocks with tension spring connection

The tension spring technology of series **fasis** BIT stands out due to its maintenance-free and vibration-proof connection technology. The TOP connection is especially suitable for confined spaces.

Due to its great product variety and a wire range between 0.5 mm² and 16 mm² the **fasis** BIT series enables many innovative solutions for various requirements.

selos BIT Type WK/WKI...

DIN rail terminal blocks with screw connection

The screw connection technology of series **selos** BIT is the best known and most widely used connection technology worldwide. The lateral connection option makes wiring more convenient in installations, especially on the supply side and in the case of larger cross sections.


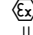
The user-friendly **selos** BIT series can be used universally in the wire range between 0.5 mm² and 50 mm².

Information about EXe

Technical information

- The information regarding cross sectional area and connection types pertains to unprepared wires without ferrules!
Ferrules are not necessary for secure connection. Whenever ferrules are used, make sure that the tools specified by the manufacturer are used exclusively.
- The voltage ratings apply to the terminals in their intended application. When different products are mounted adjacent to each other, the proper isolation distances must be adhered to.
- If the ground blocks of the **selos** product family are not used in block assemblies, but are mounted to the rail as single terminal blocks, end clamps have to be used.
- A detailed description of technical data, the standards requirements, and the application conditions are available under **facts** & DATA.

ATEX regulation

- For the use of DIN rail terminal blocks in Ex areas, the regulations of EN 60079-0 apply; whereas for increased safety Ex e the regulations of EN 60079-7 must be followed. For an approximation of the laws of the EU member states, directive 94/9/EG was created, which is generally known as ATEX 100a and which is the basis for harmonization in this field. ATEX stands for "atmosphere explosive" while 100a refers to the corresponding article of the EC contract.
- Directive ATEX 100a applies for protection against dust and gas explosions in all industrial Ex areas and in mining.
The testing and certifying institutes named in directive ATEX 100a must follow accreditation procedures which are the same throughout Europe.
- In accordance with EN 60070-0/60079-7 and ATEX 100a, these certifying institutes write out EC certificates for prototype tests.
These prototype test certificates for components together with the corresponding quality system certification of the supplier are required to obtain the so-called ATEX approval.
- In combination with the  mark, the markings of the Wieland terminal blocks have the following meaning:
 -  Identification
 - II Device group
 - 2 Category
 - G D Areas
 - KEMA Name of testing institute
 - ATEX... Certificate, year of testing, number

Mounting instructions for Ex e applications

- If feed-through blocks are mounted directly adjacent to other feed-through blocks of a different size, or directly adjacent to ground blocks, the open side of the block group of the same type must be covered by an end plate or partition.
- If adjacent DIN rail terminal blocks are jumpered or if jumpered DIN rail terminal blocks are positioned next to unjumpered DIN rail terminal blocks, a partition plate must be inserted between the individual terminal block groups or at the beginning and end of a laterally or longitudinally connected terminal block (group) in order to meet the specified isolation distances. Notched out and jumpering cross connectors can not be used in Ex areas.
- If the terminal blocks are combined with other certified series and sizes and when their accessories are used, the required creepage distances and clearances must be adhered to.
- The feed through terminal blocks and protective conductor terminal blocks are suitable for enclosures for use in explosive gas atmospheres or for use in the presence of combustible dust. For explosive gas atmospheres these enclosures must satisfy the requirements of EN 60079-0 and EN 60079-7. For combustible dust these enclosures must satisfy the requirements of EN 61241-0 and EN 61241-1 rather EN 50281-1-1.
- The indicated values for the current carrying capability refer to a maximum ambient temperature of 40 °C. When the terminal blocks are loaded with the maximum rated current the temperature rise will be max. 45 K.
- Operating temperature range: -40°C ... +80°C.

DQS certification for all company sectors

- Quality standard as per DIN ISO 9001 in Development, Production and Assembly
- Continued control of the quality standard by means of regular internal and external quality audits
- Compatible with certificates of other countries:
 - BSI Certificate, Great Britain
 - SQS Certificate, Switzerland
 - Aib-Vincotte Certificate, Belgium
 - ÖQS Certificate, Austria



Hotline • advice

Additional information

Technical support

Automation technology:

- Safety technology **safety**
Phone: +49 951 9324-999
e-mail: safety@wieland-electric.com
- Remote power distribution **podis**®
Phone: +49 951 9324-998
- **interface:** Power supply, industrial Ethernet switches, timer relays, measuring and monitoring relays, coupling relays, analog modules, remote I/O, surge protection, passive interfaces
Phone: +49 951 9324-995
- DIN rail terminal blocks **fasis, selos**
Phone: +49 951 9324-991
- Industrial multipole connectors **revos**
Phone: +49 951 9324-992
- PCB terminals and connectors **wiecon**
Appliance terminals, european terminal strips, housings for electronic components
Phone: +49 951 9324-993

Fax: +49 951 9326-991
e-mail: AT.TS@wieland-electric.com

General information and news:
www.wieland-electric.com

Visit our eCAT at
<http://eshop.wieland-electric.com>

Technical Support

Building services engineering:

- System connectors for building installation
gesis CON, **gesis** RAN, **gesis** ELECTRONIC
Phone: +49 951 9324-996
- DIN rail terminal blocks **fasis** BIT, **selos** BIT
Phone: +49 951 9324-991
Fax: +49 951 9326-996
e-mail: BIT.TS@wieland-electric.com

Technical Support

Photovoltaics/solar technology:

- Photovoltaics **gesis** SOLAR
Phone: +49 951 9324-972
Fax: +49 951 9326-977
e-mail: Solar@wieland-electric.com

Sales service:

- To contact our sales department regarding availability, delivery schedules, and pricing please call
Phone: +49 951 9324-990



Our subsidiaries

... and the addresses of our representations worldwide are available at:

www.wieland-electric.com



USA

Wieland Electric Inc.
49 International Road
Burgaw, N.C. 28425
Phone +1-910-259 5050
Fax +1-910-259 3691
sales@wielandinc.com
www.wielandinc.com



CANADA

Wieland Electric Inc.
2889 Brighton Road
Oakville, Ontario L6H 6C9
Phone +1-905-829 8414
Fax +1-905-829 8413
info@wieland-electric.ca
www.wieland-electric.ca



GREAT BRITAIN

Wieland Electric Ltd.
Riverside Business Centre,
Walnut Tree Close
GB-Guildford /Surrey GU1 4UG
Phone +44-1483-531 213
Fax +44-1483-505 029
sales@wieland.co.uk



FRANCE

Wieland Electric SARL.
Le Céramê Hall 6
47, avenue des Genottes
CS 48313
95803 Cergy-Pontoise Cedex
Phone +33-1-30 32 07 07
Fax +33-1-30 32 07 14
infos@wieland-electric.fr



SPAIN

Wieland Electric S.L.
C/ Maria Auxiliadora 2 bajos
E-08017 Barcelona
Phone +34-93-252 3820
Fax +34-93-252 3825
ventas@wieland.es



ITALY

Wieland Electric S.r.l.
Via Edison, 209
I-20019 Settimo Milanese
Phone +39-02-48 91 63 57
Fax +39-02-48 92 06 85
info@wieland-electric.it



POLAND

Wieland Electric Sp. Zo.o.
Św. Antoniego 8
62-080 Swadzim
Phone +48-61-2 22 54 00
Fax +48-61-8 40 71 66
office@wieland-electric.pl



CHINA

Wieland Electric Trading
Unit 2703
International Soho City
889 Renmin Rd., Huang Pu District
PRC- Shanghai 200010
Phone +86-21-63 555 833
Fax +86-21-63 550 090
info-shanghai@wieland-electric.cn



CZECH REPUBLIC

(Production)
Wieland Electric s.r.o.
Nadražni 1557
356 01 Sokolov
Phone +420-352 302 011
Fax +420-352 302 027



DENMARK

Wieland Electric A/S
Vallørækken 26
DK-4600 Køge
Phone +45-70-26 66 35
Fax +45-70-26 66 37
sales@wieland-electric.dk



◀ **Informational material for ordering and for downloading from our websites**



Subject to technical modifications!

gesis®, **podis**®, **samos**® are registered trademarks of Wieland Electric GmbH



wieland

Headquarters:

Wieland Electric GmbH
Brennerstraße 10 - 14
96052 Bamberg, Germany

Sales and Marketing Center:

Wieland Electric GmbH
Benzstraße 9
96052 Bamberg, Germany

Phone +49 (0951) 9324-0

Fax +49 (0951) 9324-198

www.wieland-electric.com

www.gesis.com

info@wieland-electric.com

Industrial technology

Solutions for the control cabinet

- DIN rail terminal blocks
 - Screw, tension spring or push-in connection technology
 - Wire cross sections up to 240 mm²
 - Numerous special functions
 - Software solutions interfacing to CAE systems
- Safety
 - Safe signal acquisition
 - Safety switching devices
 - Modular safety modules
 - Compact safety controllers
 - Applicative consultancy and training
- Network engineering and fieldbus systems
 - Remote maintenance via VPN industrial router and VPN service portal
 - Industrial Ethernet switches
 - PLC and I/O systems, standard and increased environmental conditions
- Interface
 - Power supply units
 - Overvoltage protection
 - Coupling relays, semiconductor switches
 - Timer relays, measuring and monitoring relays
 - Analog coupling and converter modules
 - Passive interfaces

Solutions for field applications

- Decentralized installation and automation technology
 - Electrical installation for wind tower
 - Fieldbus interfaces and motor starters
- Connectors for industrial applications
 - Rectangular and round connectors
 - Aluminum or plastic housings
 - Degree of protection up to IP68
 - Current-carrying capacity up to 100 A
 - Connectors for hazardous areas
 - Modular, application-specific technology

PC board terminals and connectors

- Screw or spring clamp connection technology
- Spacings: 3.5 mm to 10.16 mm
- Reflow or wave soldering process

Building and installation technology

- Building installation systems
 - Main power supply connectors IP20/IP65...IP68
 - Bus connectors
 - Low-voltage connectors
 - Power distribution system with flat cables
 - Distribution systems
 - Bus systems in KNX, LON and radio technology
 - DIN rail terminal blocks for electrical installations
 - Overvoltage protection

0125.0 B 04/12

contacts
are
green.