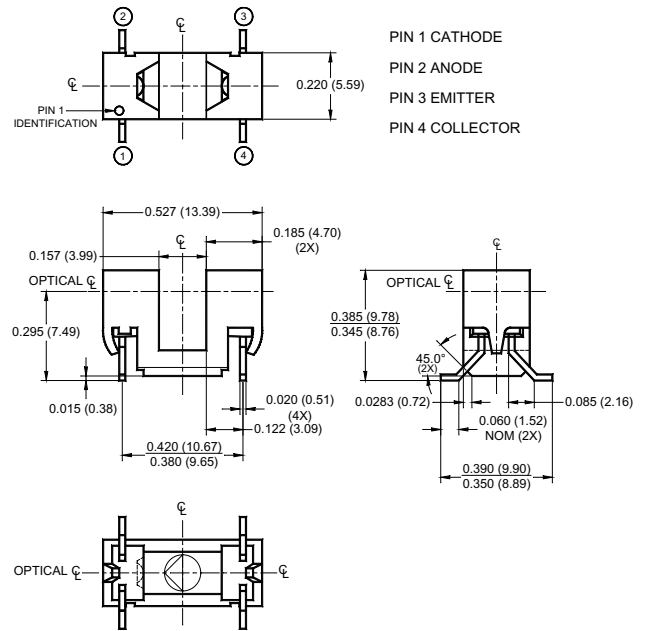
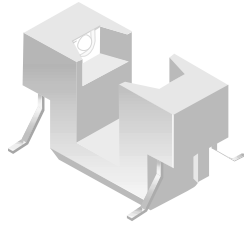


# Transmissive Opto Sensors

## Surface Mount Opto Interrupter QCK (Analog – Low Resolution)



Part Number	Test Conditions		$I_C$ (ON) (mA) min	$BV_{CEO}$ (V) min	Output	Aperture Width (mm)		Gap Width (mm)
	$I_f$ (mA)	$V_{CE}$ (V)				Emitter	Sensor	
QCK3	5	1.5	1.0	30	Photodarlington	NA	NA	3.99
QCK4	5	1.5	10.0	30	Photodarlington	NA	NA	3.99
QCK5	20	5	2.00	30	Phototransistor	NA	NA	3.99

All dimensions are in inches (millimeters)

Absolute Maximum Ratings	PARAMETER	QCK3, 4	QCK5	
	<b>Temperature</b>			
	$T_{OPR}$	-40 to +100°C	-40 to +100°C	
	$T_{STG}$	-40 to +100°C	-40 to +100°C	
	$T_{SOLH}$	183°C for 60 sec (pre-heating stage)	183°C for 60 sec (pre-heating stage)	
	$T_{SOLF}$	230°C for 5 sec (reflow stage)	230°C for 5 sec (reflow stage)	
	<b>Input Diode</b>			
	$I_f$	50 mA	5 mA	
	$V_R$	6.0 V	6.0 V	
	$P_D$	100 mW	100 mW	
<b>Output Transistor</b>				
$V_{CEO}$	30.0 V	30.0 V		
$V_{ECO}$	6.0 V	6.0 V		
$I_C$	40 mA	20 mA		
$P_D$	150 mW	150 mW		