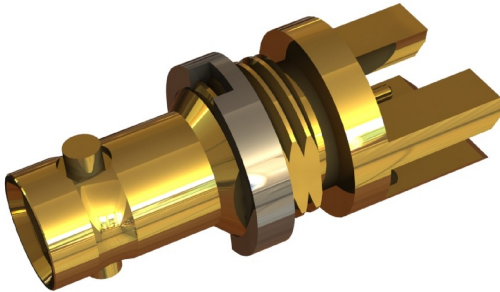
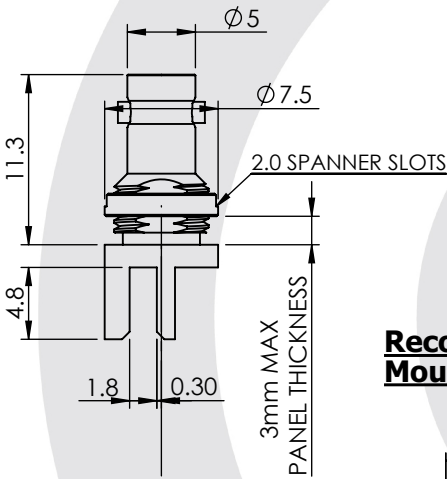


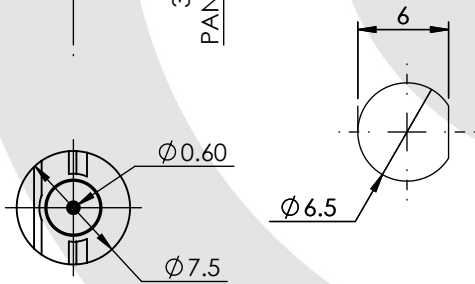
MICRO BNC STRAIGHT BULKHEAD END LAUNCH JACK 67-463-D66-1.6



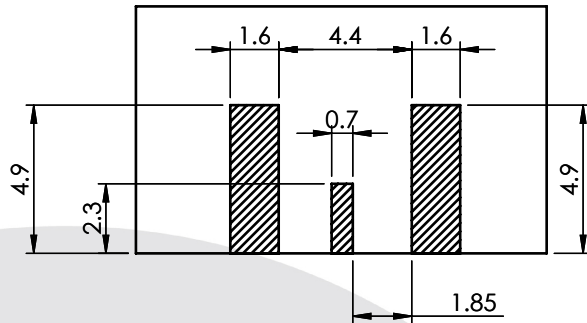
images for illustration purposes only



Recommended Mounting Hole



Recommended PCB Layout



Tooling

- Centre Contact: Not Applicable Tool No: Not Applicable
- Crimp Sleeve: Not Applicable Tool No: Not Applicable
- Castellated Nut Spanner: 96-1135 (MAX TORQUE - 115Ncm)

Environmental Specification

- Operating Temp: -55 to +155 Deg C.
- IP Rating (Mated): IP64

Electrical Specification

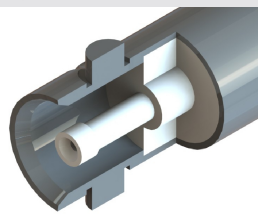
- Impedance: 75 Ohm
- Frequency: 0-6 GHz
- Dielectric W/V: 1000 Veff
- Insulation res: 1000 M-Ohm

Mechanical Specification

- Contact Retention: 15 N min
- Cable Retention: N/A N min
- Mating cycles: 500
- Weight: 2.71 g

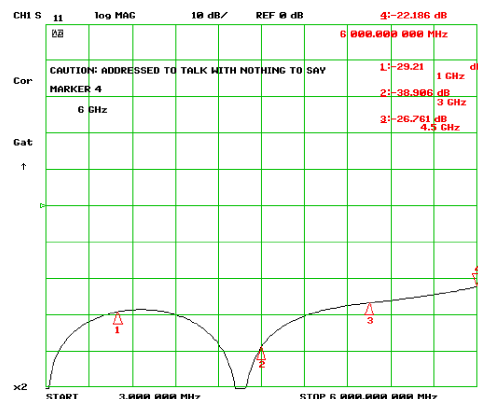
Connector Interface

image for illustration purposes only



- 29.2dB @ 1.0 GHz
- 38.9dB @ 3.0 GHz
- 26.7dB @ 4.5 GHz
- 22.2dB @ 6.0 GHz

Return Loss Graph



ITEM	DESCRIPTION	MATERIAL	PLATING
4	NUT	BRASS	NICKEL
3	INSULATOR	PTFE	N/A
2	CENTRE CONTACT	BERYLLIUM COPPER	GOLD
1	BODY	BRASS	GOLD

A4	SHEET 1 OF 1		DIMENSIONS ARE IN MILLIMETRES		
REVISION :	B01	DRAWN	IG	DATE	23/05/2012
ISSUE :	1	CHK'D	GE	DATE	30/05/2012
6-8 COLNE ROAD, TWICKENHAM, MIDDLESEX, TW1 4JR		APPV'D			
THE INFORMATION IS GIVEN AS AN INDICATION ONLY AND IS SUBJECT TO CHANGE WITHOUT NOTICE. IN THE CONTINUAL GOAL TO IMPROVE OUR PRODUCTS, WE RESERVE THE RIGHT TO MAKE ANY MODIFICATIONS NECESSARY WITHOUT PRIOR NOTICE.					