

# PSD-S OE LED GN - Optical element



2700119

<https://www.phoenixcontact.com/us/products/2700119>

Please be informed that the data shown in this PDF document is generated from our online catalog. Please find the complete data in the user documentation. Our general terms of use for downloads are valid.

LED permanent light element, 24 V AC/DC, green



## Your advantages

- Tool-free element changeover
- Can be freely combined
- High light and color intensity
- Minimum LED service life of 50,000 h
- Low power consumption
- Degree of protection IP65

## Commercial data

Item number	2700119
Packing unit	1 pc
Minimum order quantity	1 pc
Sales key	DR07
Product key	DRL112
Catalog page	Page 516 (C-6-2019)
GTIN	4046356491143
Weight per piece (including packing)	72.9 g
Weight per piece (excluding packing)	72.2 g
Customs tariff number	85318070
Country of origin	DE

# PSD-S OE LED GN - Optical element



2700119

<https://www.phoenixcontact.com/us/products/2700119>

## Technical data

### Notes

#### Note on application

Note on application	Only for industrial use
---------------------	-------------------------

### Product properties

Product type	Optical element
Area of application	Signal tower

#### Data management status

Article revision	01
------------------	----

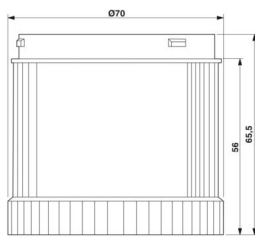
### Electrical properties

Maximum power dissipation for nominal condition	0.6 W
---	-------

#### General

Input voltage	24 V AC/DC
Maximum inrush current	max. 500 mA
Current consumption	25 mA
Source of light type	LED
Operating time	100 %
Service life electrical	max. 100,000 h
Optical signal type	Permanent light

### Dimensions

Dimensional drawing	
Height	65.5 mm
Diameter	70 mm

### Material specifications

Calotte color	green
Material	Polycarbonate PC

### Environmental and real-life conditions

#### Ambient conditions

Degree of protection	IP65 (when installed or with end cover)
----------------------	---

# PSD-S OE LED GN - Optical element



2700119

<https://www.phoenixcontact.com/us/products/2700119>

Ambient temperature (operation)	-30 °C ... 50 °C
---------------------------------	------------------

## EMC data

Electromagnetic compatibility	Conformance with EMC Directive 2014/30/EU
-------------------------------	---

## Mounting

Mounting type	Plug-in mounting
Thread type	()
Assembly note	Rubber seal pre-installed for each element
Mounting position	any

# PSD-S OE LED GN - Optical element

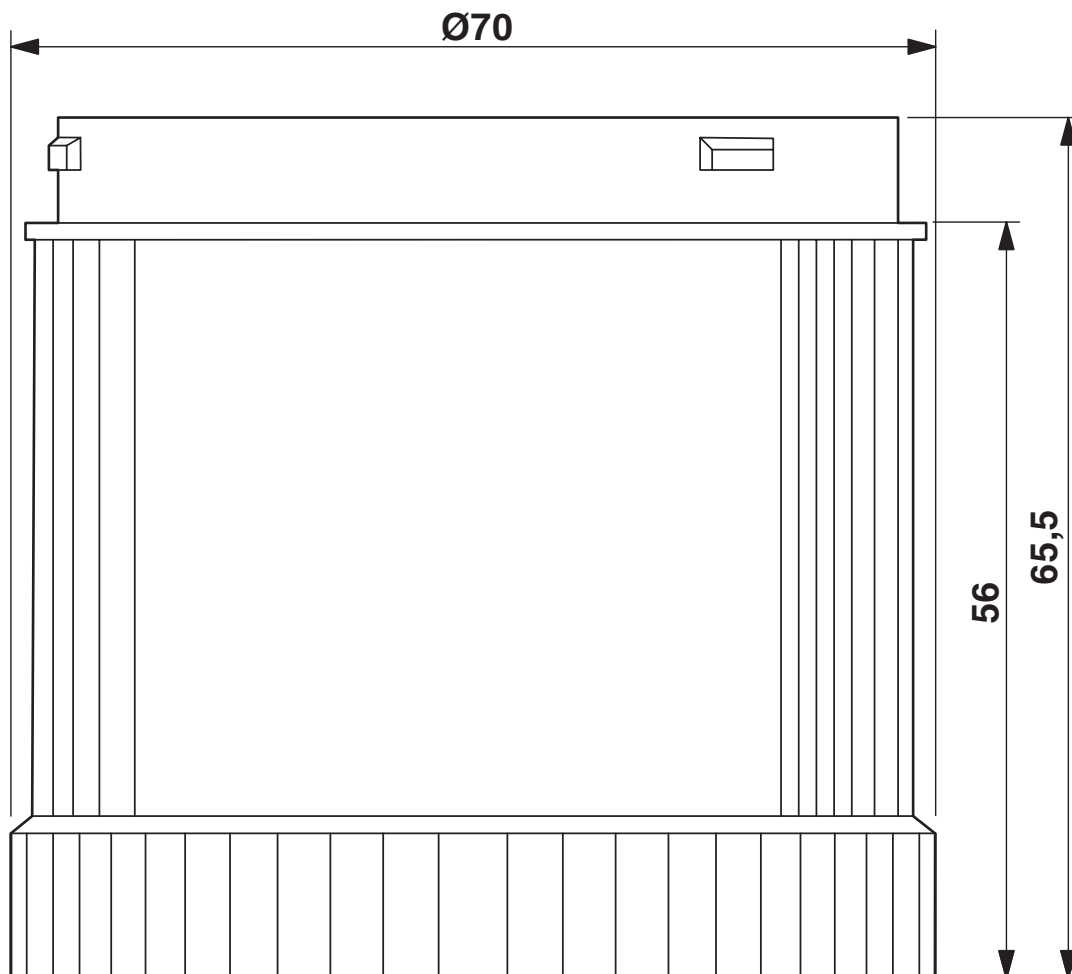


2700119

<https://www.phoenixcontact.com/us/products/2700119>

## Drawings

Dimensional drawing



# PSD-S OE LED GN - Optical element



2700119

<https://www.phoenixcontact.com/us/products/2700119>

## Approvals

To download certificates, visit the product detail page: <https://www.phoenixcontact.com/us/products/2700119>



**UL Listed**

Approval ID: E123528



**cUL Listed**

Approval ID: E123528



**EAC-RoHS**

Approval ID: RU D-DE.HB35.B.00391

**cULus Listed**

# PSD-S OE LED GN - Optical element



2700119

<https://www.phoenixcontact.com/us/products/2700119>

## Classifications

### ECLASS

ECLASS-11.0	27371220
ECLASS-12.0	27371220
ECLASS-13.0	27371220

### ETIM

ETIM 9.0	EC000232
----------	----------

### UNSPSC

UNSPSC 21.0	46171600
-------------	----------

# PSD-S OE LED GN - Optical element



2700119

<https://www.phoenixcontact.com/us/products/2700119>

## Environmental product compliance

### EU RoHS

Fulfills EU RoHS substance requirements	Yes
Exemption	7(a), 7(c)-I

### China RoHS

Environment friendly use period (EFUP)	EFUP-50
	An article-related China RoHS declaration table can be found in the download area for the respective article under "Manufacturer declaration". For all articles with EFUP-E, no China RoHS declaration table issued and required.

### EU REACH SVHC

REACH candidate substance (CAS No.)	Lead(CAS: 7439-92-1)
SCIP	e28bbe4a-f478-4d25-81b0-936380724e4f

Phoenix Contact 2024 © - all rights reserved

<https://www.phoenixcontact.com>

Phoenix Contact USA  
586 Fulling Mill Road  
Middletown, PA 17057, United States  
(+717) 944-1300  
[info@phoenixcon.com](mailto:info@phoenixcon.com)