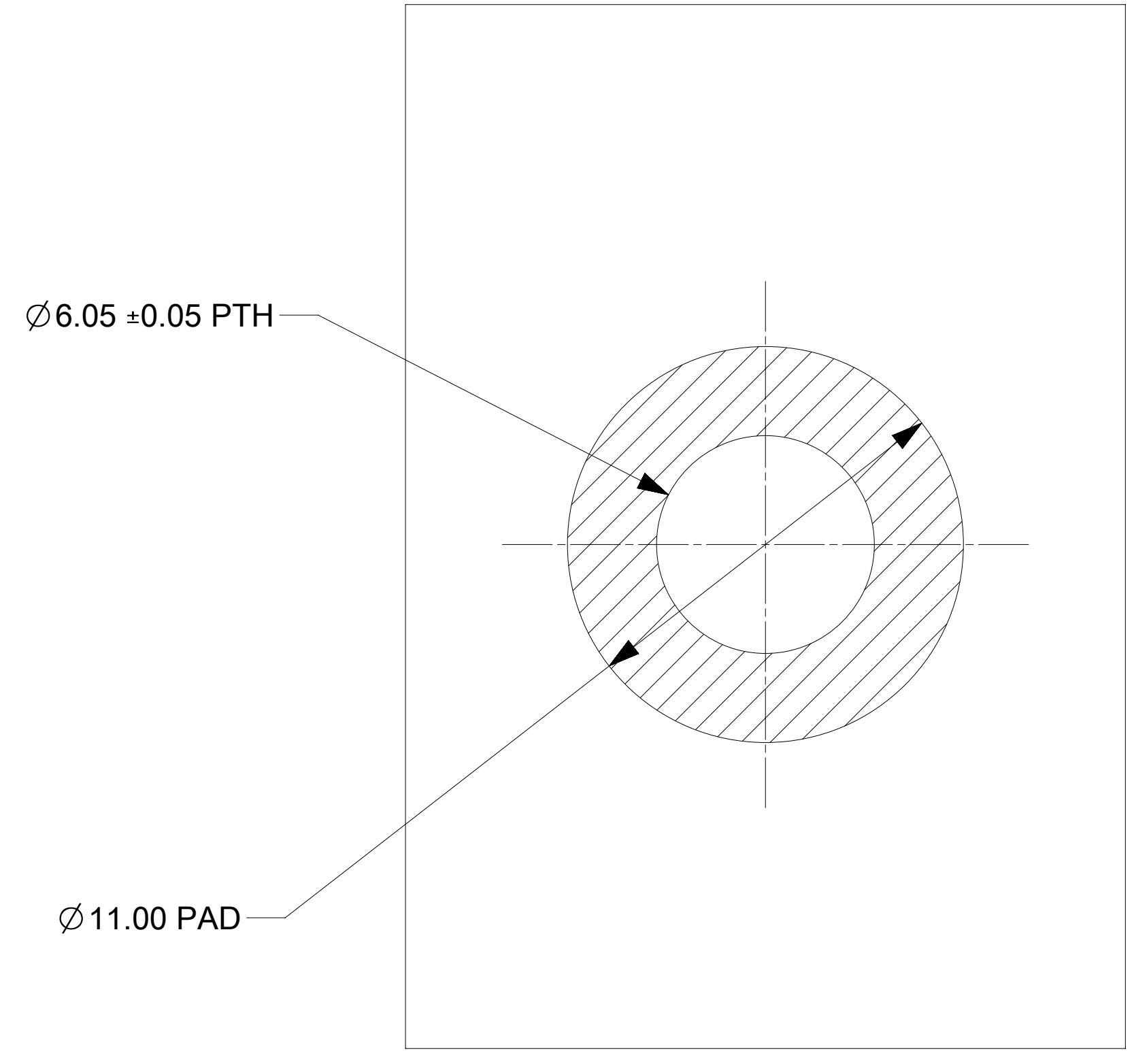
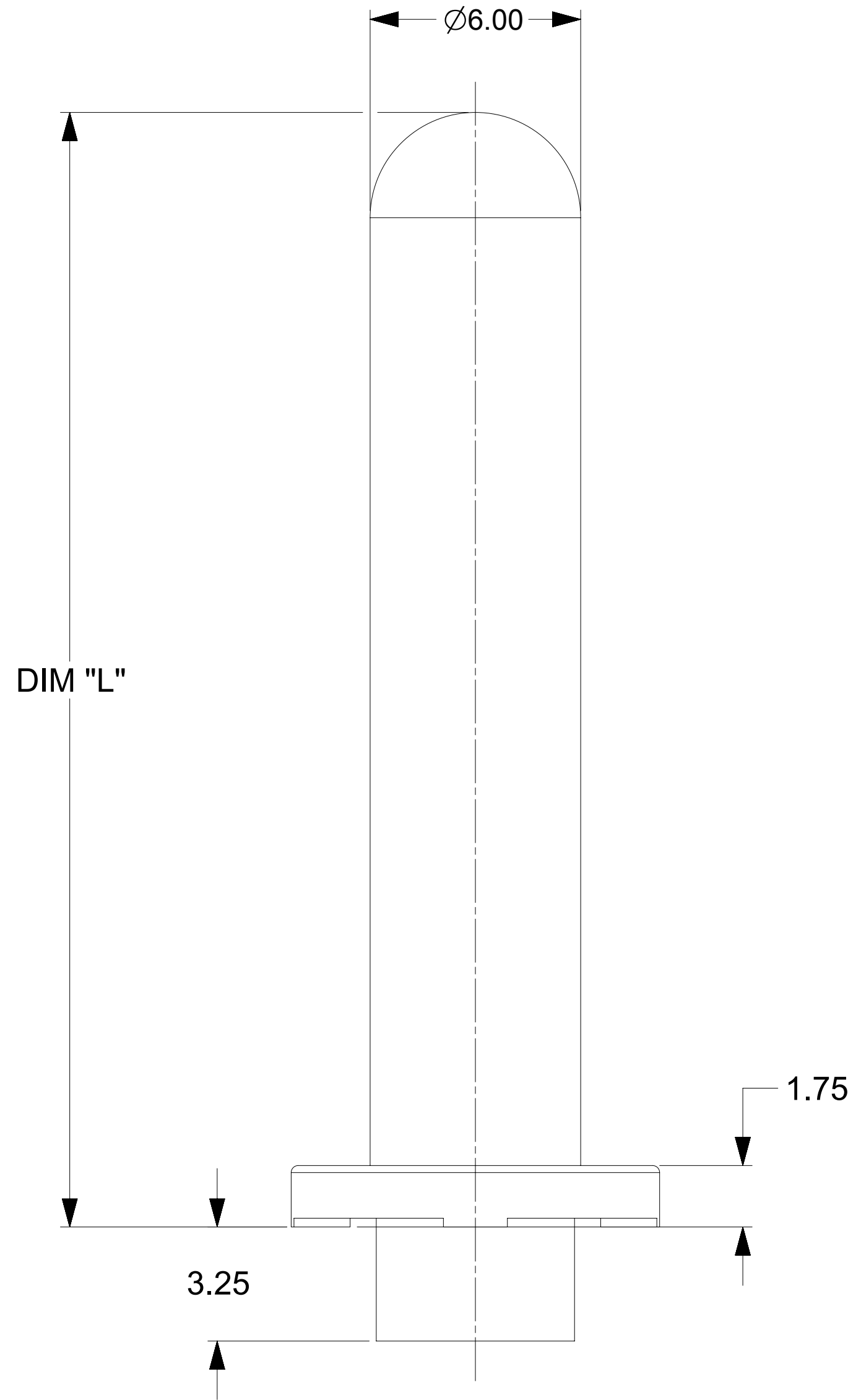
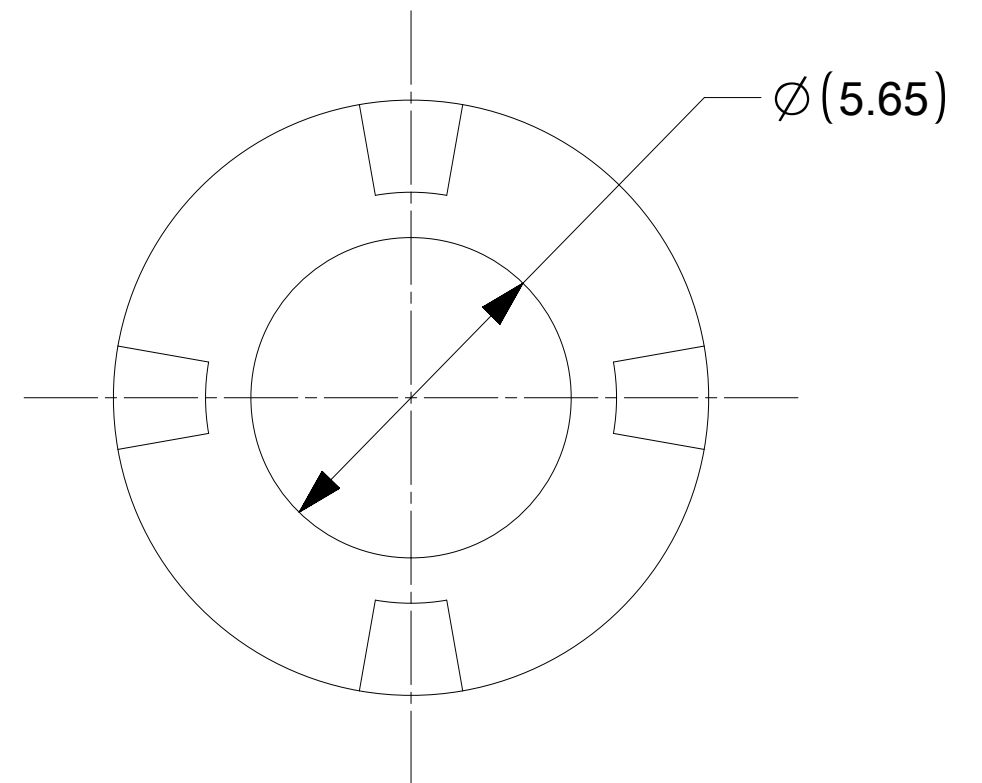


ISOMETRIC VIEW OF THE PIN
(CST MALE PIN, 6.00MM, SURFACE MOUNT)



RECOMMENDED PCB LAYOUT



PART NUMBER	DIMENSION "L" (MM)
203263-0106	26.00
203263-0116	20.00
203263-0126	14.00
203263-0136	31.75
203263-0146	29.50
203263-0156	16.00
203263-0176	37.20
203263-0186	31.00
203263-0196	26.75
203263-0206	16.80
203263-0226	21.50
203263-0246	36.00
203263-0256	48.00
203263-0266	27.70

NOTES :

- MATERIALS:
 - BASE METAL: HIGH CONDUCTIVE COPPER ALLOY
 - PLATING ON BODY: 3.18 MICRON MIN SILVER OVER 1.27 MICRON MIN NICKEL
- PRODUCT SPECIFICATION: 2043130006-PS
- APPLICATION SPECIFICATION: 2043130006-AS
- PACKAGING SPECIFICATION: 2032630006-PK
- SILVER COMPONENTS WILL BE SUPPLIED TARNISH FREE BUT MAY TARNISH OVER TIME
- MINIMUM RECOMMENED PCB THICKNESS 1.58MM

THIS DRAWING CONTAINS INFORMATION THAT IS PROPRIETARY TO MOLEX ELECTRONIC TECHNOLOGIES, LLC AND SHOULD NOT BE USED WITHOUT WRITTEN PERMISSION											
DIMENSION UNITS mm		SCALE 5:1		CURRENT REV DESC: UPDATED THE DESCRIPTION						molex	
GENERAL TOLERANCES (UNLESS SPECIFIED)				EC NO: 726284							
ANGULAR TOL ± 0.5°				4 PLACES ±		DRWN: SOURAJ		2022/10/26		SENTRALITY 6.00MM MALE TERMINAL SURFACE MOUNT	
4 PLACES ±				3 PLACES ±		CHK'D: SUVARS		2022/10/27			
2 PLACES ± 0.15				2 PLACES ±		APPR: GSHARMA		2022/10/28		PRODUCT CUSTOMER DRAWING	
1 PLACE ± 0.25				1 PLACE ±		INITIAL REVISION:		DRWN: RLOW		2019/06/05	
0 PLACES ±				0 PLACES ±		APPR: BPISZCZOR		2019/06/10		DOCUMENT NUMBER 2032630136-SD	
DRAFT WHERE APPLICABLE MUST REMAIN WITHIN DIMENSIONS				THIRD ANGLE PROJECTION		DRAWING		SERIES		MATERIAL NUMBER	
						D-SIZE		203263		CUSTOMER SEE TABLE	
										GENERAL MARKET	
										SHEET NUMBER 1 OF 1	