

CA-17P1N8A6Y00 - Device connector front mounting



1619854

<https://www.phoenixcontact.com/us/products/1619854>

Please be informed that the data shown in this PDF document is generated from our online catalog. Please find the complete data in the user documentation. Our general terms of use for downloads are valid.



M23, Device connector front mounting, series: CA, straight, shielded: yes, for standard and SPEEDCON interlock, No. of pos.: 17, Direction of rotation: Standard, contact connection type: Pin, Crimp connection, Axial seal, Central fastening M20 x 1.5, coding: N

Your advantages

- Safe use in the field, thanks to high degree of protection
- Connector for flexible on-site assembly
- Consistent EMC protection for reliable transmission of signals
- Crimping connection: vibration- and temperature-resistant assembly
- Application-specific wall mounting optionally with thread or anti-rotation protection and lock nut

Commercial data

Item number	1619854
Packing unit	1 pc
Minimum order quantity	1 pc
Sales key	NULL
Product key	ABRAEL
Catalog page	Page 97 (C-2-2019)
GTIN	4046356821124
Weight per piece (including packing)	25.4 g
Weight per piece (excluding packing)	22 g
Customs tariff number	85366990
Country of origin	DE

1619854

<https://www.phoenixcontact.com/us/products/1619854>

Technical data

Notes

Order information:	Order 17 x 1 mm crimp contacts separately
--------------------	---

Product properties

Product type	Circular connectors (device side)
--------------	-----------------------------------

Connector

Insulating body

Note	Order information: Order crimp contacts Ø 1 mm separately
Coding	N
Insulation body material	PA 6.6
Connection method	Crimp connection
Contact switching type	Pin
Application	Signal
Number of positions	17
Direction of rotation	Standard
Connection profile	17
Contact diameter Signal contacts	1 mm
Litz wire cross-section Signal contacts min.	0.08 mm ²
Litz wire cross-section Signal contacts max.	1 mm ²
Nominal current per signal contact	8 A
Note	for max. connection cross section
Rated voltage Signal contact	48 V AC
Rated surge voltage	1.5 kV
Overvoltage category	III
Degree of pollution	3

Housing

Order information:	If necessary, order locking nut separately
Housing material	GD-Zn
Type of locking	for standard and SPEEDCON interlock
Pg screw connection	none
Degree of protection (plugged in)	IP67
Thread type	M23

Environmental and real-life conditions

Ambient conditions

Ambient temperature (operation)	-40 °C ... 125 °C
Ambient temperature (storage/transport)	15 °C ... 25 °C
Permissible humidity (storage/transport)	50 % ... 65 %

CA-17P1N8A6Y00 - Device connector front mounting

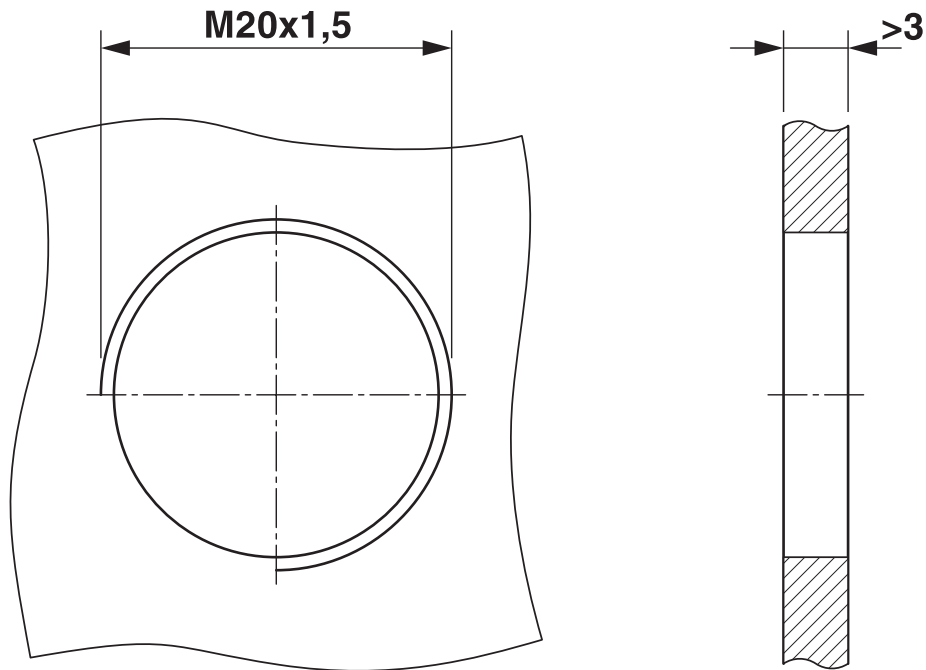


1619854

<https://www.phoenixcontact.com/us/products/1619854>

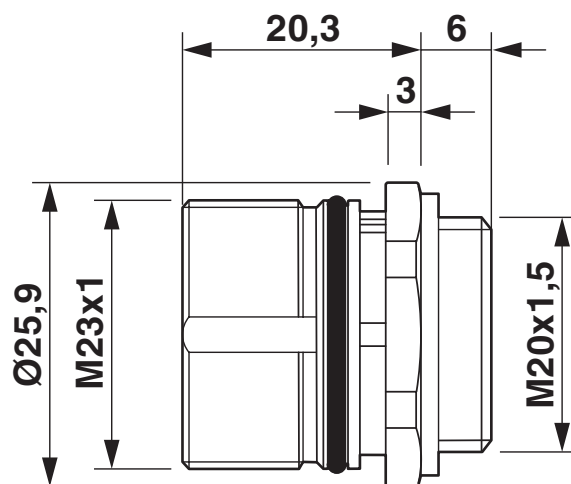
Drawings

Dimensional drawing



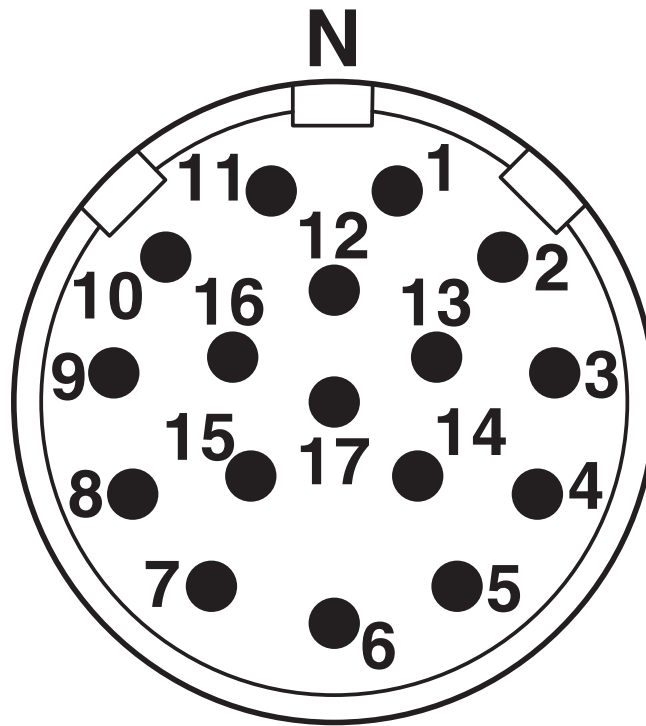
Installation dimensions

Dimensional drawing



Dimensional drawing

Schematic diagram



Connector pin assignment

CA-17P1N8A6Y00 - Device connector front mounting





1619854

<https://www.phoenixcontact.com/us/products/1619854>

Approvals

To download certificates, visit the product detail page: <https://www.phoenixcontact.com/us/products/1619854>

 cUL Recognized Approval ID: E335019-20141210				
	Nominal voltage U_N	Nominal current I_N	Cross section AWG	Cross section mm^2
	48 V	3 A	20 - 20	-

 UL Recognized Approval ID: E335019-20141210				
	Nominal voltage U_N	Nominal current I_N	Cross section AWG	Cross section mm^2
	48 V	5 A	20 - 20	-

cULus Recognized				
-------------------------	--	--	--	--

CA-17P1N8A6Y00 - Device connector front mounting



1619854

<https://www.phoenixcontact.com/us/products/1619854>

Classifications

ECLASS

ECLASS-11.0	27440102
ECLASS-12.0	27440116
ECLASS-13.0	27440116

ETIM

ETIM 9.0	EC002635
----------	----------

UNSPSC

UNSPSC 21.0	39121400
-------------	----------

CA-17P1N8A6Y00 - Device connector front mounting



1619854

<https://www.phoenixcontact.com/us/products/1619854>

Environmental product compliance

EU RoHS

Fulfills EU RoHS substance requirements	Yes, No exemptions
---	--------------------

China RoHS

Environment friendly use period (EFUP)	EFUP-E
	No hazardous substances above the limits

EU REACH SVHC

REACH candidate substance (CAS No.)	No substance above 0.1 wt%
-------------------------------------	----------------------------

1619854

<https://www.phoenixcontact.com/us/products/1619854>

Accessories

SF-Z0019 - Protective cap

1607449

<https://www.phoenixcontact.com/us/products/1607449>



Plastic protection cap, with eye, IP40 for connectors with M23 external thread, RF, SF series

RC-Z2469 - Protective cap

1611797

<https://www.phoenixcontact.com/us/products/1611797>



Plastic protection cap, antistatic, for RF, SF, CA, RC series connectors, with M23 external thread

CA-17P1N8A6Y00 - Device connector front mounting



1619854

<https://www.phoenixcontact.com/us/products/1619854>

RC-Z2104 - Metal protective cap

1604260

<https://www.phoenixcontact.com/us/products/1604260>



Metal protective cap, M23, degree of protection: IP67, series: RC, UC, RF, SF, NC, RM, Alternative product in accordance with RoHS II without Exemption 6c (Pb < 0.1 %) item no.: 1241739

RC-Z2068 - Metal protective cap

1604236

<https://www.phoenixcontact.com/us/products/1604236>



Metal protective cap, M23, degree of protection: IP67, series: RC, UC, RF, SF, NC, RM, Alternative product in accordance with RoHS II without Exemption 6c (Pb < 0.1 %) item no.: 1241735

CA-17P1N8A6Y00 - Device connector front mounting



1619854

<https://www.phoenixcontact.com/us/products/1619854>

CA-Z0110 - Color coding

1620700

<https://www.phoenixcontact.com/us/products/1620700>

Color coding, color: green



CA-Z0111 - Color coding

1620701

<https://www.phoenixcontact.com/us/products/1620701>

Color coding, color: orange



CA-17P1N8A6Y00 - Device connector front mounting



1619854

<https://www.phoenixcontact.com/us/products/1619854>

CA-Z0112 - Color coding

1620702

<https://www.phoenixcontact.com/us/products/1620702>

Color coding, color: black



CA-Z0001 - Contact removal tool

1620699

<https://www.phoenixcontact.com/us/products/1620699>

Unlocking tool for contact carriers for snapping in the M23 signal device connectors



CA-17P1N8A6Y00 - Device connector front mounting



1619854

<https://www.phoenixcontact.com/us/products/1619854>

RC-13041 - Flat nut

1600417

<https://www.phoenixcontact.com/us/products/1600417>

Flat nut, Screw mounting, M20 x 1,5, Alternative product in accordance with RoHS II without Exemption 6c (Pb < 0.1 %) item no.: 1241209



PROT-M23PRO-OT-IP20 - Plastic protective cap

1055753

<https://www.phoenixcontact.com/us/products/1055753>

Plastic protective cap, M23, degree of protection: IP20, series: M23 PRO



CA-17P1N8A6Y00 - Device connector front mounting



1619854

<https://www.phoenixcontact.com/us/products/1619854>

RC-11P2000 - Crimp contact

1596770

<https://www.phoenixcontact.com/us/products/1596770>



Crimp contact, Pin, turned, Single contact, contact diameter: 1 mm, crimp range: 0.08 mm² ... 0.22 mm², Contact release tool not necessary for the 12- and 17-pos. crimp versions of the M23-PRO series, Alternative product in accordance with RoHS II without Exemption 6c (Pb < 0.1 %) item no.: 1240882

RC-12P2000 - Crimp contact

1597862

<https://www.phoenixcontact.com/us/products/1597862>



Crimp contact, Pin, turned, Single contact, contact diameter: 1 mm, crimp range: 0.14 mm² ... 0.56 mm², Contact release tool not necessary for the 12- and 17-pos. crimp versions of the M23-PRO series, Alternative product in accordance with RoHS II without Exemption 6c (Pb < 0.1 %) item no.: 1240882

CA-17P1N8A6Y00 - Device connector front mounting



1619854

<https://www.phoenixcontact.com/us/products/1619854>

RC-1KP2000 - Crimp contact

1602996

<https://www.phoenixcontact.com/us/products/1602996>



Crimp contact, Pin, turned, Single contact, contact diameter: 1 mm, crimp range: 0.5 mm² ... 1 mm², Contact release tool not necessary for the 12- and 17-pos. crimp versions of the M23-PRO series, Alternative product in accordance with RoHS II without Exemption 6c (Pb < 0.1 %) item no.: 1241571

RC-22P2000 - Crimp contact

1603321

<https://www.phoenixcontact.com/us/products/1603321>



Crimp contact, Pin, rolled, Single contact, contact diameter: 1 mm, crimp range: 0.22 mm² ... 0.56 mm², Single contact, Item is lead-free in accordance with RoHS II without Exemption 6c (Pb < 0.1 %)

CA-17P1N8A6Y00 - Device connector front mounting



1619854

<https://www.phoenixcontact.com/us/products/1619854>

RC-22P2300 - Crimp contact

1603324

<https://www.phoenixcontact.com/us/products/1603324>



Crimp contact, Pin, rolled, Taped product, number of pieces per reel: 500, contact diameter: 1 mm, crimp range: 0.22 mm² ... 0.56 mm², Item is lead-free in accordance with RoHS II without Exemption 6c (Pb < 0.1 %)

RC-22P2400 - Crimp contact

1603325

<https://www.phoenixcontact.com/us/products/1603325>



Crimp contact, Pin, rolled, Taped product, number of pieces per reel: 10000, contact diameter: 1 mm, crimp range: 0.22 mm² ... 0.56 mm², Item is lead-free in accordance with RoHS II without Exemption 6c (Pb < 0.1 %)

CA-17P1N8A6Y00 - Device connector front mounting



1619854

<https://www.phoenixcontact.com/us/products/1619854>

RC-21P2000 - Crimp contact

1603310

<https://www.phoenixcontact.com/us/products/1603310>



Crimp contact, Pin, rolled, Single contact, contact diameter: 1 mm, crimp range: 0.08 mm² ... 0.22 mm², Single contact

RC-21P2300 - Crimp contact

1603313

<https://www.phoenixcontact.com/us/products/1603313>



Crimp contact, Pin, rolled, Taped product, number of pieces per reel: 500, contact diameter: 1 mm, crimp range: 0.08 mm² ... 0.22 mm²

CA-17P1N8A6Y00 - Device connector front mounting



1619854

<https://www.phoenixcontact.com/us/products/1619854>

RC-21P2400 - Crimp contact

1611637

<https://www.phoenixcontact.com/us/products/1611637>



Crimp contact, Pin, rolled, Taped product, number of pieces per reel: 10000, contact diameter: 1 mm, crimp range: 0.08 mm² ... 0.22 mm²

Phoenix Contact 2024 © - all rights reserved

<https://www.phoenixcontact.com>

Phoenix Contact USA
586 Fulling Mill Road
Middletown, PA 17057, United States
(+717) 944-1300
info@phoenixcon.com