



Connectors > Pluggable IO Connectors & Cages > OSFP Cage Assembly: EMI Springs



Pluggable I/O Product Type: **Cage Assembly**

Sealable: **No**

Operating Temperature Range: **-55 – 85 °C [-67 – 185 °F]**

Number of Positions: **60**

Number of Ports: **1**

[All OSFP Cage Assembly: EMI Springs \(11\)](#)

Features

Product Type Features

Cage Type	Single
Pluggable I/O Product Type	Cage Assembly
Sealable	No
Form Factor	OSFP

Configuration Features

Number of Positions	60
Number of Ports	1
Port Matrix Configuration	1 x 1

Usage Conditions

Operating Temperature Range	-55 – 85 °C[-67 – 185 °F]
-----------------------------	---------------------------

Other

Included Lightpipe	No
EMI Containment Feature Type	Internal/External EMI Springs



Product Compliance

[For compliance documentation, visit the product page on TE.com>](#)

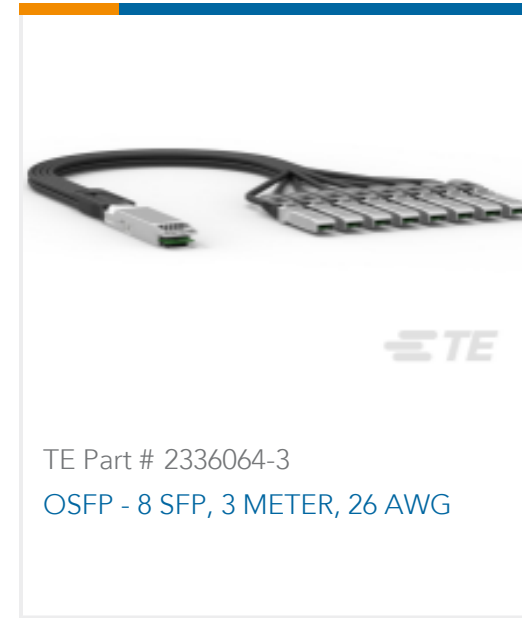
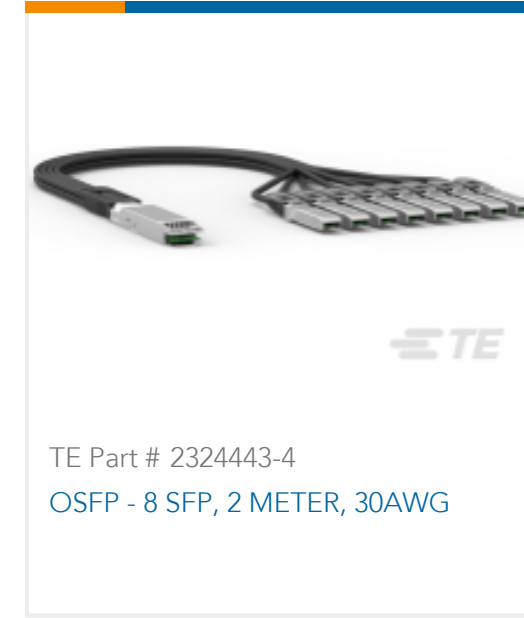
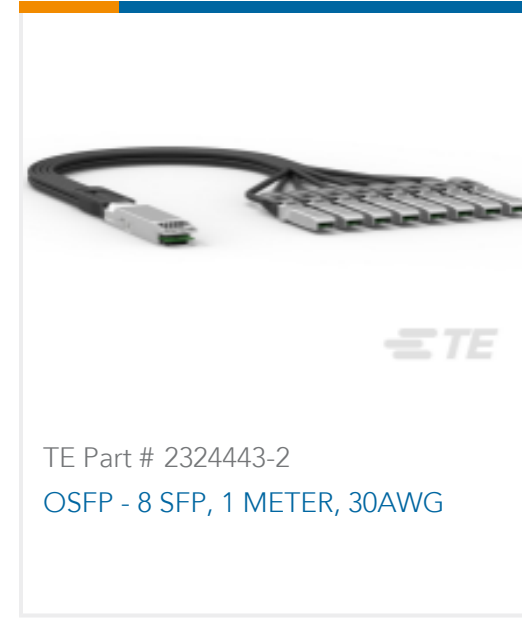
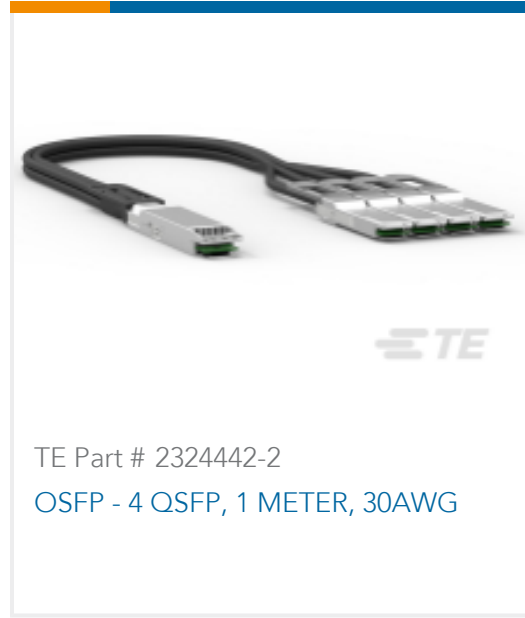
EU RoHS Directive 2011/65/EU	Compliant
EU ELV Directive 2000/53/EC	Compliant
China RoHS 2 Directive MIIT Order No 32, 2016	No Restricted Materials Above Threshold
EU REACH Regulation (EC) No. 1907/2006	Current ECHA Candidate List: JUNE 2024 (241) Candidate List Declared Against: JAN 2024 (240) Does not contain REACH SVHC
Halogen Content	Low Halogen - Br, Cl, F, I < 900 ppm per homogenous material. Also BFR/CFR/PVC Free
Solder Process Capability	Not applicable for solder process capability

Product Compliance Disclaimer

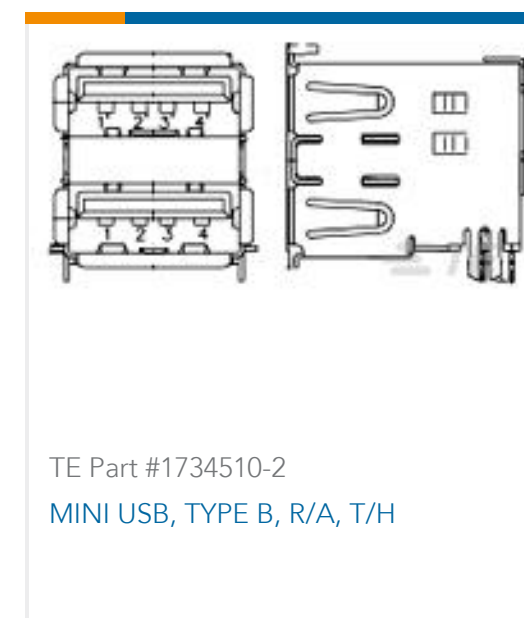
This information is provided based on reasonable inquiry of our suppliers and represents our current actual knowledge based on the information they provided. This information is subject to change. The part numbers that TE has identified as EU RoHS compliant have a maximum concentration of 0.1% by weight in homogenous materials for lead, hexavalent chromium, mercury, PBB, PBDE, DBP, BBP, DEHP, DIBP, and 0.01% for cadmium, or qualify for an exemption to these limits as defined in the Annexes of Directive 2011/65/EU (RoHS2). Finished electrical and electronic equipment products will be CE marked as required by Directive 2011/65/EU. Components may not be CE marked. Additionally, the part numbers that TE has identified as EU ELV compliant have a maximum concentration of 0.1% by weight in homogenous materials for lead, hexavalent chromium, and mercury, and 0.01% for cadmium, or qualify for an exemption to these limits as defined in the Annexes of Directive 2000/53/EC (ELV). Regarding the REACH Regulation, the information TE provides on SVHC in articles for this part number is based on the latest European Chemicals Agency (ECHA) 'Guidance on requirements for substances in articles' posted at this URL: <https://echa.europa.eu/guidance-documents/guidance-on-reach>

Compatible Parts

 <p>TE Part # CAT-P65-N49 OSFP Connector Assembly: Surface Mount</p>	 <p>TE Part # 2317857-2 DUST AND EMI PLUG, PLATED, OSFP</p>	 <p>TE Part # 2324698-1 DUST PLUG, OSFP</p>	 <p>TE Part # 2324441-2 OSFP - 2 OSFP, 1.0 METER, 30AWG</p>
-------------------------------------------------------------------------------------------------------------------------------------------------------------	----------------------------------------------------------------------------------------------------------------------------------------------------	--------------------------------------------------------------------------------------------------------------------------------------	------------------------------------------------------------------------------------------------------------------------------------------------------



Customers Also Bought





Documents

CAD Files

[3D PDF](#)

[3D](#)

Customer View Model

[ENG_CVM_CVM_2317416-1_B6.2d_dxf.zip](#)

English

Customer View Model

[ENG_CVM_CVM_2317416-1_B6.3d_igs.zip](#)

English

Customer View Model

[ENG_CVM_CVM_2317416-1_B6.3d_stp.zip](#)

English

By downloading the CAD file I accept and agree to the [Terms and Conditions](#) of use.

Datasheets & Catalog Pages

[OSFP Cages, Connectors, and Cable Assemblies \(English\)](#)

English

Product Specifications

[Application Specification](#)

English