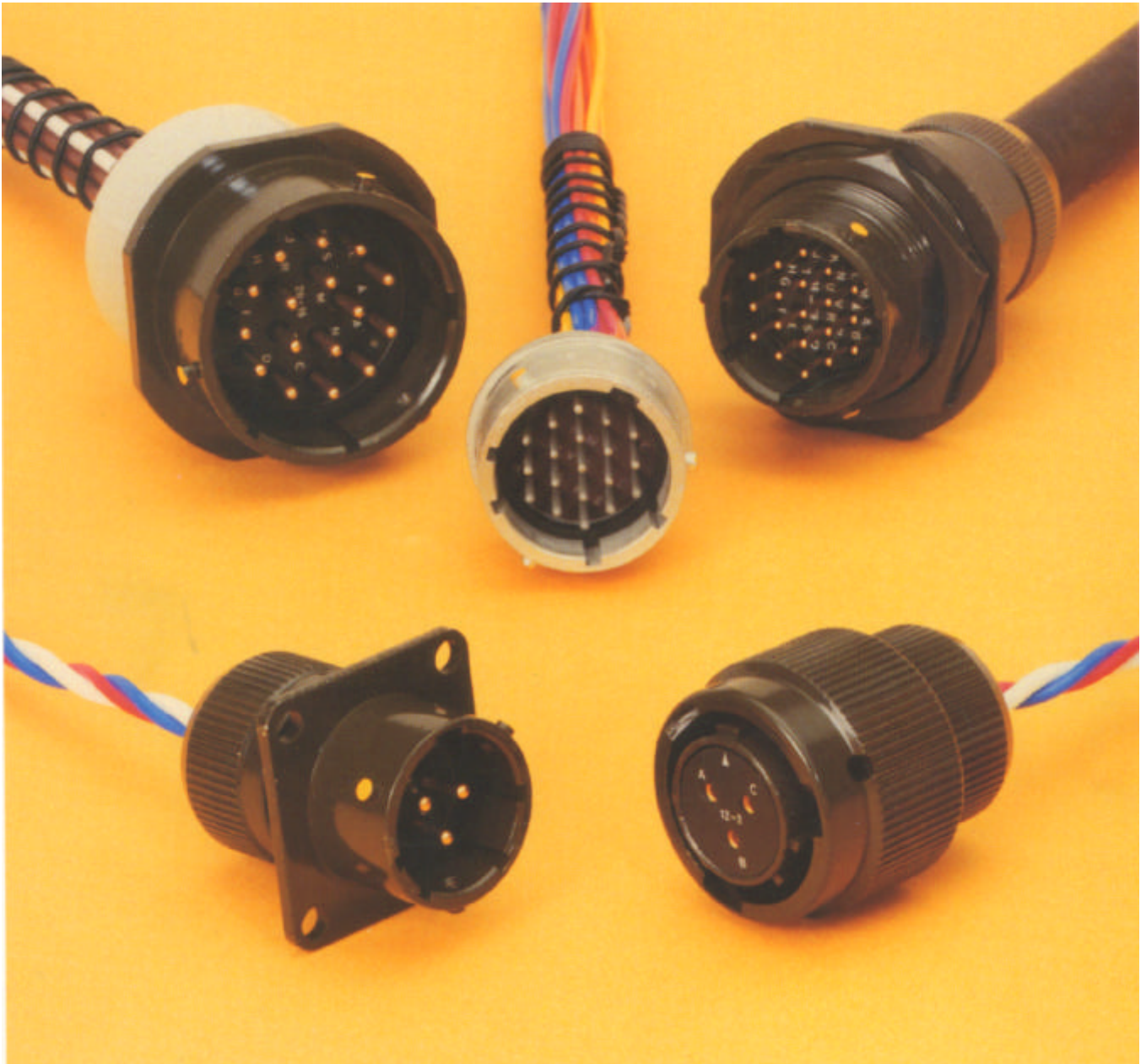


# 62 GB- Series Plugs

Miniature Bayonet Lock Connectors  
Complies with MIL-C-26482

## CE-2Pa



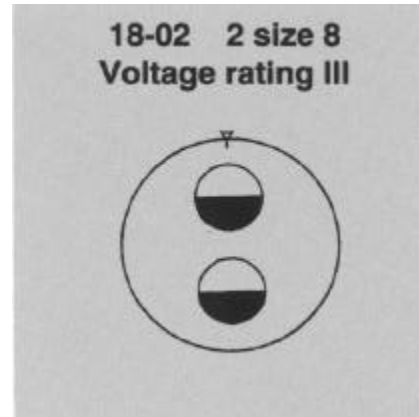
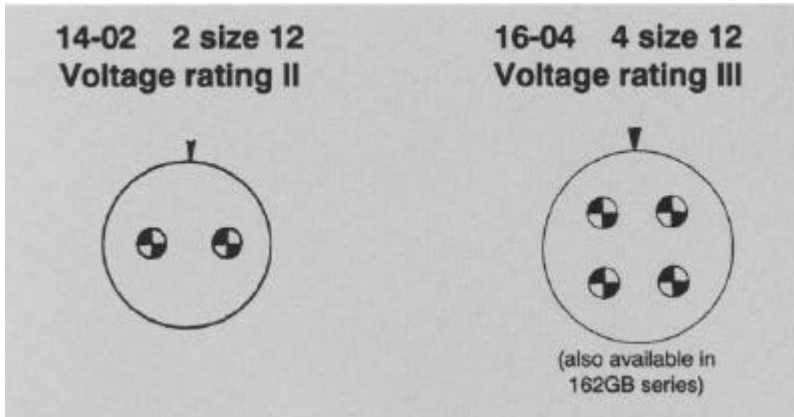
This miniature bayonet lock connector series offers designers important features not found in any other range of connectors.

They are developed and manufactured entirely in the U.K. by AMPHENOL Ltd., and have full qualification approval to British Standards Specification BS 9522 F0017 and British Defence Specification DEF STAN 59-35 (Part 3) Sec. 7.

This catalogue to be used in conjunction with Catalogues:  
CE-2Ra – 62GB Series Receptacles  
CE-2Aa – 62GB Series Accessories

# Amphenol

# 62GB and Pattern 608 New Planforms



**Current:**

- (a) Maximum current per individual contact (in isolation)\* at ambient temperature of 85°C  
Contact size 12: 23 A
- (b) Maximum current per contact through all contacts simultaneously at an ambient temperature of 85°C  
Contact size 12: 20 A

**Current:**

- (a) Maximum current per individual contact (in isolation)\* at ambient temperature of 85°C  
Contact size 8: 45 A
- (b) Maximum current per contact through all contacts simultaneously at an ambient temperature of 85°C  
Contact size 8: 40 A

|   | Sea level<br>1013 mbar á |      |      | 8500m (27,900ft)<br>320 mbar |      |      | 21,340m (70,000ft)<br>44 mbar |     |     |
|---|--------------------------|------|------|------------------------------|------|------|-------------------------------|-----|-----|
|   | I                        | II   | III  | I                            | II   | III  | I                             | II  | III |
| Voltage rating<br>Working voltages **<br>(nominal)      | 700                      | 1200 | 1500 | 550                          | 650  | 800  | 330                           | 380 | 450 |
| d.c. or a.c. peak<br>Voltage proof<br>d.c. or a.c. peak | 2100                     | 3000 | 3000 | 1100                         | 1300 | 1300 | 660                           | 760 | 750 |

\* i.e. when only one contact per connector is electrically loaded.

á 1 mbar=10<sup>2</sup> N/m<sup>2</sup>=100 Pa

\*\* Establishment of electrical safety factors is the responsibility of the user

## **CONTENTS**

## **Page**

|                                 |       |
|---------------------------------|-------|
| Amphenol 62GB Solder Connectors | 4     |
| Schedule of Tests               | 5-6   |
| Connector Styles Available      | 7     |
| Insert Availability             | 8     |
| Ordering 62GB Series Connectors | 10-11 |
| Plugs - Table of Styles         | 12-13 |
| Plugs                           | 14-19 |
| Insert Orientations             | 20    |
| Key/Keyway Orientations         | 21    |

# Amphenol® 62GB solder connectors

This catalogue to be used in conjunction with Catalogues:  
CE-2Ra – 62GB Series Receptacles  
CE-2Aa – 62GB Series Accessories

This miniature bayonet lock connector series offers designers important features not found in any other range of connectors. The range has full qualification approval to British Standards Specification BS 9522 FOO 17 and British Defence Specification DEF STAN 59-35 (Part 3) Sec. 7.

62GB Series connectors - developed and manufactured entirely in the United Kingdom by Amphenol Limited. They are the first and only British connectors to have achieved this. A doubly strong position which Amphenol are well geared to handle. The manufacturing facilities of the Whitstable plant have been cited as exemplary in Europe. Certainly the layout is extensive and extremely efficient; safety awards have been attained every time returns have been submitted to the British Safety Council.

62GB Series connectors have been well established with Government authorities on an international scale and users can be found in Sweden, Denmark, Norway, Finland, Germany, Spain, Holland, India, Canada and Italy.

## Derating

Connectors must be derated under the following operating conditions:

1. At elevated ambient temperatures, the current ratings are reduced so that total maximum hot spot temperature of 125°C is not exceeded.
2. At high altitudes, revised voltage ratings become effective as shown on page 7.
3. When connectors to different specifications are intermated (e.g. BS 9522 FOO 17 and MIL-C26482), the combination must not be operated under conditions more severe than the less stringent clause of either specification.

Amphenol 62GB connectors are designed to meet the most stringent requirements of both specifications.

## Military Specifications

British Standards Specification BS 9522 FOO 17 closely corresponds to the United States Military Specification MIL-C-26482 solder terminations. Certain differences exist between the schedules which can be seen on pages 2 and 3.

Approved gauges are used to check interchangeability of 62GB series with other connectors manufactured to BS 9522 FOO 17 or MIL-C-26482.

## Basic Construction

Connector shells are machined from solid aluminium bar stock - not forged or extruded as in competitive designs. Machining has inherent advantages in terms of strength and adaptability. 62GB Series can be supplied in brass or stainless steel, for instance.

The normal shell finish used, which has a high resistance to corrosion, is zinc cobalt olive drab. Other finishes may be supplied to special order, such as cadmium plate which is available by adding deviation (714) to the end of part number.

Inserts are of polychloroprene rubber compounded to an Amphenol specification. Operating temperature range is -55°C to 125°C, and the connectors have gold-plated contacts designed for soldered connections. Configurations for size 20 contacts range between 2 contacts in the size 8 12.7mm (0.5in diameter) shell up to a maximum of 61 contacts in the size 2436.1 mm (1.5in diameter) shell. Intermediate sizes, and contact data for heavier current ratings are shown in the insert availability chart on page 6 and 7.

Hermetic connectors with glass sealed dielectric are manufactured with mild steel shells and nickel iron contacts plated tin over copper.

\* Other finishes are available on request.

## Protection Against Mis-Mating or Cross-Plugging

In BS 9522 FOO 17 positive shell-to-shell keying is provided with keys and keyways in a choice of either the normal (N) or any of the four preferred alternate positions: B, C, E and F. This prevents mismating between shells of different orientations and overcomes the difficulties associated with rotated inserts and a standard key-keyway orientation. In the latter system, damage to the inserts or contacts can result if excessive force is used to engage non-mating pairs.

Rotated inserts are, however, permissible in BS 9522 FOO 17 connectors if required to mate with or replace units to MIL-C-26482 mounted in existing equipment. Connectors have normal orientations manufactured to BS 9522 FOO 17 or MIL-C-26482 are fully intermateable as also are connectors with inserts in positions W, X, Y or Z.

# Schedule of Tests Required for Qualification Approval

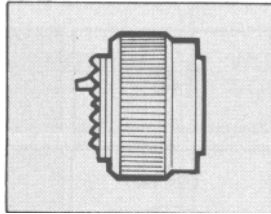
| Tests   | Brief Description  |
|---|--|
| <b>Visual Examination</b>   |  |
| <b>Dimensions, outline mass(including contacts) Compatability Gauging procedure</b> |  |
| <b>Polarization</b>   |  |
| <b>Engaging and separating force, connector</b>                                     | Engagement max: 0,90 Nm (8.0 lbf.in.) to 4,97 Nm (44 lbf.in.) according to shell size.<br>Separation min: 0,22 Nm (2.0 lbf.in.) to 1,58 Nm (14.0 lbf.in.) according to shell size. |
| <b>Contact Holding Force</b>  | 0,21 N (0.047 lbf) min.size 20<br>0,56 N (0.126 lbf)min. size 16   |
| <b>Sealing (air pressure)</b>   | Max leakage 28,53 uNm/s (1 cm3/h), 1 bar (14.5 p.s.i.) differential.   |
| <b>Sealing Hermetic</b>   | Hermetic receptacles have a max leak of 0.1 micron cubic foot per hour (1 x 10-6Cm3/s)   |
| <b>Contact Resistance</b>   | 5 milliohms max.   |
| <b>Housing (Shell) Continuity</b>   | 200 milliohms max. 5 milliohms max. grounding spring styles.   |
| <b>Insulation Resistance</b>  | 5,000 Megaohms at 500 - 50 V d.c.  |
| <b>Voltage Proof</b>  | See page 7. Duration 1 minute  |
| <b>Soldering</b>  | As BS 9520: 1974, Clause 1.2.6.6, Method 2.  |
| <b>Bumping</b>  | As BS 9520: 1974, Clause 1.2.6.1. 4,000 -10 bumps / 390m / s2 (40 gn).   |
| <b>Vibration</b>  | As BS 9520: 1974, Clause 1.2.6.2.1. Procedure A. 10 Hz to 5000 Hz, 0.75 mm / 10 gn.  |
| <b>Shock</b>  | As BS 9520: 1974, Clause 1.2.6.3. 981 m/s2 (100 g n).  |
| <b>Acceleration (Steady State)</b>  | As BS 9520: 1974, Clause 1.2.6.4. 490 m/s2 (50 gn).  |
| <b>Rapid Change of Temperature</b>  | As BS 9520: 1974, Clause 1.2.6.7. -550 C to - 1250 C.  |
| <b>Climatic Sequence</b>  | As BS 9520: 1974, Clause 1.2.6.11. Severity 55/125/56.   |
| <b>Flammability</b>   | As BS 9520: 1974, Clause 1.2.6.8. Direct flame applied, duration 1 minute.   |
| <b>Damp Heat (Steady State)</b>   | As BS 9520: 1974, Clause 1.2.6.14. Severity 56 days.   |

# Schedule of Tests Required for Qualification Approval

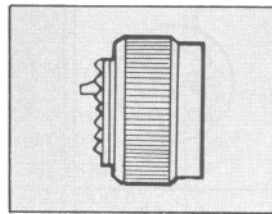
| Tests  | Brief Description   |
|--|---|
| <b>Immersion (at low air pressure)</b>                                   | 3 cycles at 30 mins each cycle, total immersion in water at pressure 44 m bar.                                    |
| <b>Mechanical Endurance</b>  | 500 operations minimum  |
| <b>High Temperature Endurance</b>  | Long term: 1,000 hrs. at 850 C ambient carrying the specified current. Short term: 250 hrs at 1250 C, no current. |
| <b>Mould Growth</b>  | As BS 9520: 1974, Clause 1.2.6.15. 28 days duration.  |
| <b>Salt Mist</b>   | As BS 9520: 1974, Clause 1.2.6.16. Severity 1.  |
| <b>Dust</b>  | As BS 9520: 1974, Clause 1.2.6.17. Exposure 30 minutes.   |
| <b>Robustness of Terminations</b>  | 44,5 N (101bf) size 16<br>22,2 N (5 lbf) size 20  |
| <b>Contact Retention (in insert)</b>                                     | 67,0 N (15 lbf) min. size 20<br>112,0 N (25 lbf) min. size 16   |
| <b>Insert Retention (in shell)</b>                                       | 517 KN1m2 (751bf/in2) min.  |
| <b>Test Prod Damage</b>  | Moment: 0,056 Nm (0.5 lbf in) size 20<br>0,225 Nm (2 lbf in) size 16  |
| <b>Impact</b>  | Five impacts, drop height 1 m (3ft.3 in.).  |
| <b>Grounding Spring Holding Force Plugs with grounding springs only.</b> | 1,17 N (0.263 lbf) to 2,74 N (0.616 lbf) according to size.   |
| <b>Fluid Resistance</b>  | Immersion in 4 solvents and 9 fluids including aircraft fuels, lubricating oils and hydraulic fluids.             |
| <b>Compass Safe Distance</b>   | As BS 9520: 1974, Clause 1.2.5.11. 127 mm (5.0 in) min.   |

# Connector Styles Available

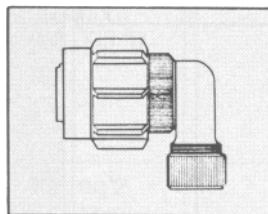
## Plugs



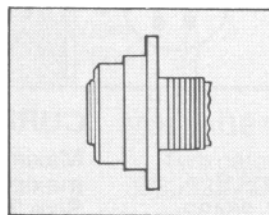
**Straight Plug**  
See Pages 14-17



**Grounded Plug**  
See Page 14

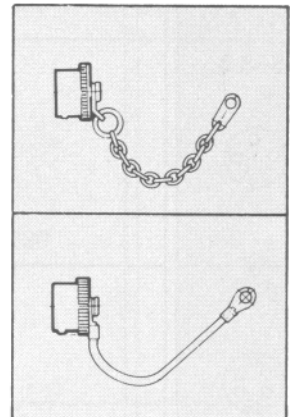


**Audio Plug**  
See Page 18












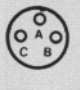

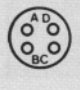
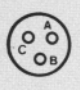



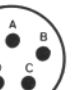




**Push on - Pull off**  
See Page 19

**Accessories**  
See Catalogue CE-2Aa



# Insert Availability

| 8  | 10   | 12   | 14   | 16   | 18  | 20  |
|--|--|--|--|--|---|---|
| <b>8-2*</b><br>   | <b>10-6</b><br>   | <b>12-10</b><br>  | <b>14-12†</b><br> | <b>16-23*</b><br> | <b>18-32</b><br>   | <b>20-41</b><br>   |
| <b>8-3*</b><br>   | <b>10-7</b><br>   |  | <b>14-15</b><br>  | <b>16-26</b><br>  |   |   |
| <b>8-3 3</b><br>  |  |  | <b>14-19</b><br>  |  |   |   |
| <b>8-4*</b><br> |  |  |  |  |   |   |
| <b>8-98</b><br> | <b>10-2</b><br> | <b>12-3</b><br> | <b>14-5</b><br> | <b>16-8</b><br> | <b>18-11</b><br> | <b>20-16</b><br> |

## NOTES

\* This insert arrangement is not included in B.S. spec., but is available and listed in MIL-C-26482.

† Due to the arrangement of contacts in the 14-12 insert arrangement it is classified, for current derating, in the shell size range 18-24.

Lettering of inserts shown above corresponds to view of front (mating surface of pin inserts or rear face (cable accessory end) of socket inserts.

KEY ● No 16 size contacts  
○ No 20 size contacts

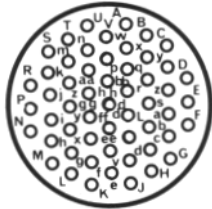
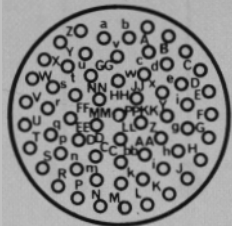
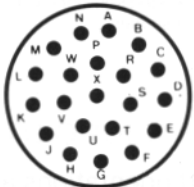
## CURRENT RATING

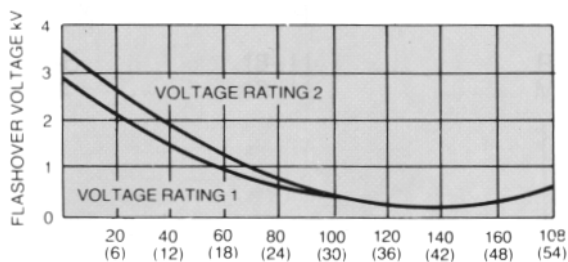
Maximum current per individual contact (in isolation) at a maximum ambient temperature of 85°C: Size 20 contact 7.5A Size 16 contact 13-0A The performance of 62GB Series connectors at all times exceeds the maximum continuous bunched rating of the appropriate size wire, or cable of equivalent temperature rating. This bunched rating is therefore the determining factor. In the case of mixed loadings, the greatest individual load shall be the bunched loading. In any combination of ambient temperature plus temperature rise due to current flow through the contacts, the maximum connector internal hot spot temperature of 125°C must not be exceeded.

That is, when only one contact per connector is loaded.



# Insert Availability

|  |   | VOLTAGE RATINGS  |                      |                             |                                 |
|--|---|--|----------------------|-----------------------------|---------------------------------|
| 22   | 24  | ALTITUDE   | D.C. WORKING VOLTAGE | A.C. WORKING VOLTAGE R.M.S. | PROOF VOLTAGE D.C. OR A.C. PEAK |
| <p><b>22-55</b></p>   | <p><b>24-61</b></p>  | <p><b>Rating 1</b><br/>Sea level</p> <p>300 mb at 20°C<br/>8,500m (27,800 ft)</p> <p>44 mb at 20°C<br/>20,000m (66,000 ft)</p> | 700                  | 500                         | 2100                            |
| <p><b>22-21</b></p>  <p>† Available to special order only</p> |   | <p><b>Rating 2</b><br/>Sea level<br/>300 mb at 20°C<br/>8,500m (27,800 ft)<br/>44 mb at 20°C<br/>20,000m (66,000 ft)</p>       | 120                  | 850                         | 3000                            |
|  |   |  | 650                  | 460                         | 1300                            |
|  |   |  | 380                  | 270                         | 760                             |



ALTITUDE-THOUSANDS OF FEET (METRES)  
Relationship between flashover voltage and altitude for each voltage rating

## VOLTAGE RATINGS

Two categories of voltage rating are specified in BS9522 F0017, F0038 and N0001.

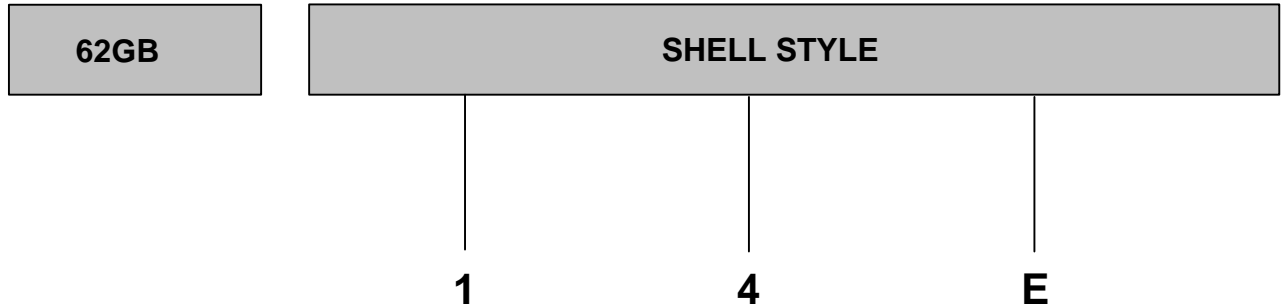
**Rating 1** (700V d.c. working at sea-level) Applicable to the high contact density inserts shown in the upper section of the insert availability diagram above.

**Rating 2** (1200V d.c. working at sea-level) Applicable to the inserts shown in the lower section of the insert availability diagram.

**Altitude derating.** Information on voltage derating for operation at altitudes above sea-level can be obtained from the flashover voltage altitude curves on the left.

# Ordering 62GB Series Connectors

To obtain the specific connector required write down the connector number from the typical example below. Only inserts shown in the availability chart on p. 10&11 can be specified. All connectors are delivered with protective dust covers



#### Series designation

62 GB - Aluminium shell  
62 GB SS -Stainless steel shell\*  
62 GB CU - Brass shell\*  
\*consult factory for availability  
62GB-XXH-Hermetic mild steel shell.

#### Specification key

1 - Styles originally specified in MIL-C-26482  
5 - Styles exclusive to BS9522 F0017

#### Shell style

0 - Receptacle wall mounting  
1 - Receptacle cable mounting  
2 - Receptacle box mounting  
3 - Receptacle, solder flange mounting  
4 - Receptacle, internally threaded with cable accessories as illustrated, for single hole mounting  
6 - Plug cable mounting  
7- Receptacle, plain shell, single hole mounting

#### Environmental code

A - Plain shell, exposed solder buckets. No grommet  
E - Insert seal and grommet seal with grommet nut (excluding 12E which has plain shell and no grommet or nut)  
F - As (E) but grommet nut has integral strain relief clamp  
H - Hermetic seal no cable accessories  
J - As (E) but with resilient gland seal and nut for unscreened jacketed cable. No grommet supplied. See pp. 26-27 for accessory to accept screened jacketed cable.  
P - Potting construction complete with potting mould  
T - Exposed solder buckets. Threaded shell for cable accessories

## HOW TO ORDER FROM MS CONNECTOR NUMBERS

Connector numbers in the AMPHENOL and MS numbering systems. Only alternative insert orientations are specified in MIL-C-26482 which does not include alternative key/keyway orientations.

|      |   |    |   |        |   |   |
|------|---|----|---|--------|---|---|
| MS31 | - | 14 | E | 18 -11 | P | X |
| 62GB | - | 14 | E | 18 -11 | P | X |

# Ordering 62GB Series Connectors

## INSERT ARRANGEMENT

**18**

**11**

**P**

**B**

**(044)**

**Shell size** (in sixteenths of an inch) 8, 10, 12, 14, 16  
18,20,22,24

**Number of contacts**  
2, 3, 4, 5, 6, 7, 8, 10, 11, 12,  
16, 19, 21, 23, 26, 32, 41, 55,  
61  
\* consult factory for availability

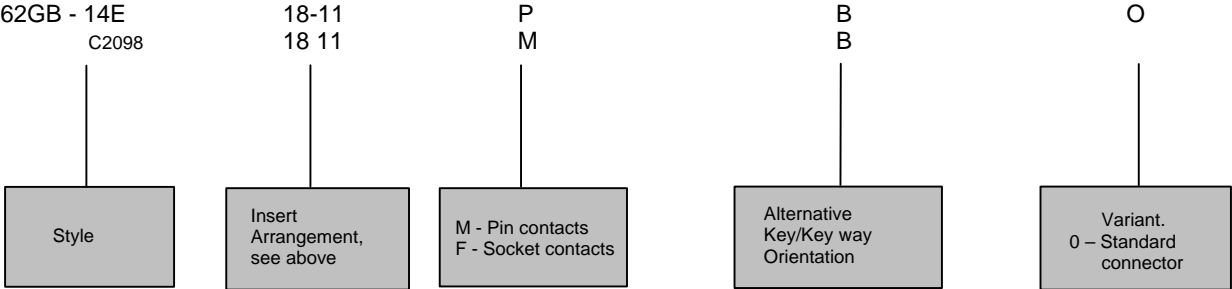
**Contact Style**  
P - Pins  
S - Sockets For hermetic connectors. P3 denotes pin contacts with solder bucket terminations. (Standard range). P2 denotes pin contacts with flattened and pierced terminations. (Special order).

**Orientation**  
(Omit if normal orientation)  
Keys/Keyways: A', B, C, D', E, F, (see p. 31)  
Inserts: W,X,Y,Z.(see p56/57)  
\*Inactive for new designs

**Deviations**  
(044) Rough grip heavy duty coupling ring.  
(046) Box mounting plug.  
(214) Fitted with extension back shell and strain relief clamp without grommet on F types only  
(218) Lever coupling ring  
(219) Contacts for flexible punted wrung (57A and 12E only)  
(639) Bright cadmium plated shells  
(345) Contacts for flexible punted wiring 12H,13H 17H only  
(276) Hermetics with gold plated contacts.  
(608) Black anodise.  
(416) Electroless nickel  
(714) Cadmium plate olive drab

### HOW TO ORDER FROM B.S. CONNECTOR NUMBERS

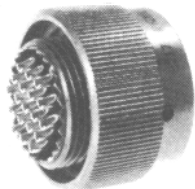
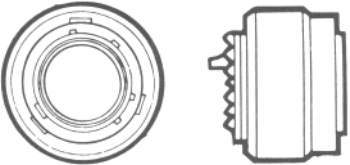
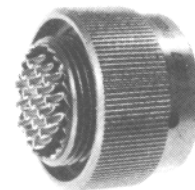
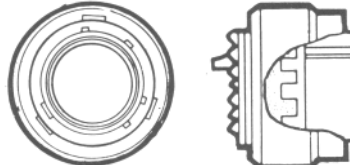
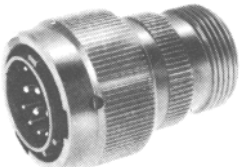
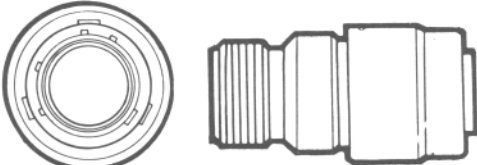
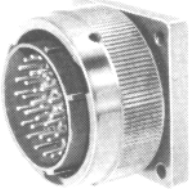
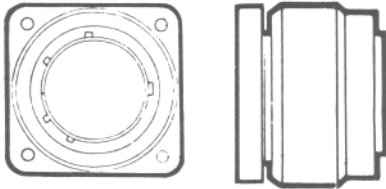
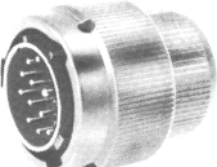
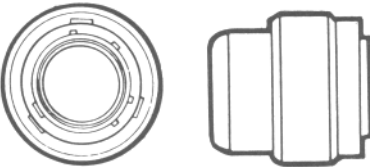
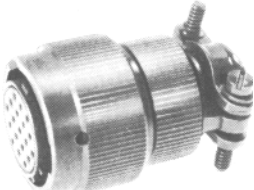
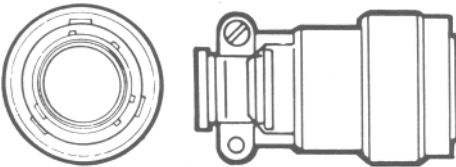
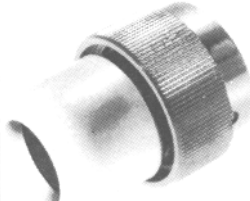

Select the connector style by reference to BS9522 F0017 using the code below for identification. Note that the B.S. Specification includes only certain connectors from the table of styles as shown on pp. 8 & 9. Alternative key/keyway orientations are preferred in the BS9522 F0017 Specification to prevent mis-mating. However, rotated inserts are permissible where connectors are required to mate with or replace items to MIL-C-26482 on existing equipment.



# Plugs

## Table of Styles


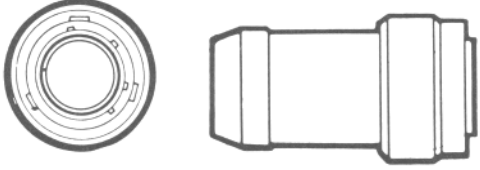
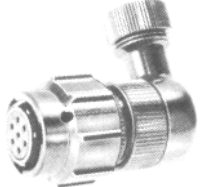
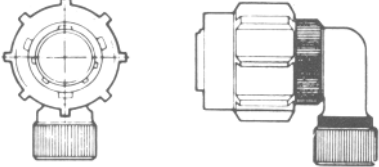
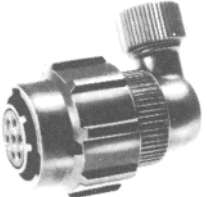
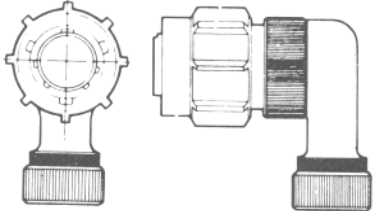
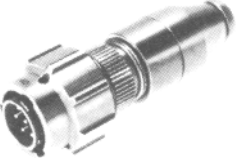
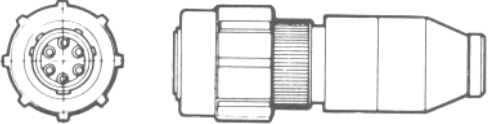

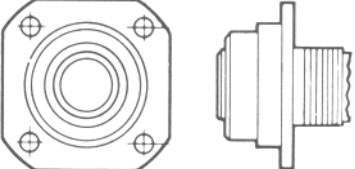
Page No.

|                   |   |  |    |
|-------------------|---|--|----|
| 62GB-56T          |    |    | 14 |
| 62GB-56TG         |    |    | 14 |
| 62GB-16A          |   |   | 15 |
| 62GB-56T<br>(046) |  |  | 15 |
| 62GB-16E          |  |  | 16 |
| 62GB-16F          |  |  | 16 |
| 62GB-16P          |  |  | 17 |

# Plugs

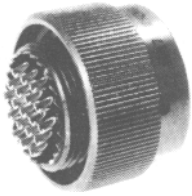
## Table of Styles

Page No.

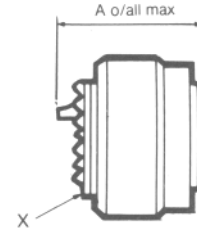
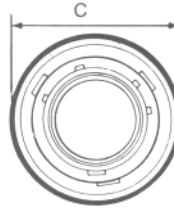
|              |   |  |    |
|--------------|---|--|----|
| 62GB-16J     |    |    | 17 |
| 62GB-5039-10 |   |   | 18 |
| 62GB-5055-10 |  |  | 18 |
| 62GB-5056-10 |  |  | 18 |
| 62GB-5074    |  |  | 19 |

# Plugs

**56T**



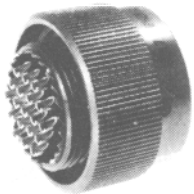
**62GB-56T**  
BS9522 F0017 C2092



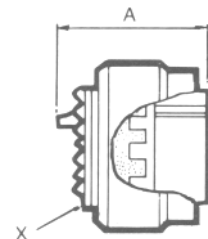
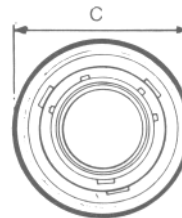
Basic plug with threaded shell to accept standard cable accessories

| Shell Size | A Max          | C max          | X Thread         |
|------------|----------------|----------------|------------------|
| 08         | 0.976<br>24.79 | 0.750<br>19.05 | 7/16 - 28 UNEF   |
| 10         | 0.976<br>24.79 | 0.859<br>21.82 | 9/16 - 24 NEF    |
| 12         | 0.976<br>24.79 | 1.031<br>26.19 | 11/16 -24NEF     |
| 14         | 0.976<br>24.79 | 1.156<br>29.36 | 13/16 - 20 UNEF  |
| 16         | 0.976<br>24.79 | 1.281<br>32.54 | 15/16 - 20 UNEF  |
| 18         | 0.976<br>24.79 | 1.391<br>35.33 | 1.1 /16 - 18 NEF |
| 20         | 0.976<br>24.79 | 1.531<br>38.89 | 1.3/16 - 18 NEF  |
| 22         | 0.976<br>24.79 | 1.656<br>42.06 | 1.5/16 - 18 NEF  |
| 24         | 0.976<br>24.79 | 1.777<br>45.14 | 1.7/16 - 18 NEF  |

**56TG**



**62GB-56TG**  
BS9522 F0017 C2093



Basic plug with threaded shell to accept standard cable accessories. Has shell grounding spring fingers

| Shell Size | A max          | C max          | X Thread         |
|------------|----------------|----------------|------------------|
| 08         | 0.976<br>24.79 | 0.750<br>19.05 | 7/16 - 28 UNEF   |
| 10         | 0.976<br>24.79 | 0.859<br>21.82 | 9/16 - 24 NEF    |
| 12         | 0.976<br>24.79 | 1.031<br>26.19 | 11/16 - 24 NEF   |
| 14         | 0.976<br>24.79 | 1.156<br>29.36 | 13/16 - 20 UNEF  |
| 16         | 0.976<br>24.79 | 1.281<br>32.54 | 15/16 - 20 UNEF  |
| 18         | 0.976<br>24.79 | 1.391<br>35.33 | 1.1 /16 - 18 NEF |
| 20         | 0.976<br>24.79 | 1.531<br>38.89 | 1.3/16 - 18 NEF  |
| 22         | 0.976<br>24.79 | 1.656<br>42.06 | 1.5/16 - 18 NEF  |
| 24         | 0.976<br>24.79 | 1.777<br>45.14 | 1.7/16 - 18 NEF  |

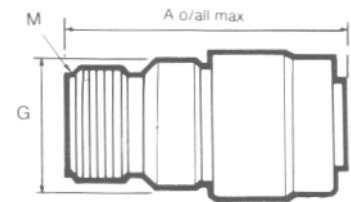
# Plugs

16A



62GB-1 6A

Plug with general duty back shell.  
No grommet provided.



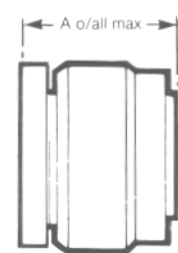
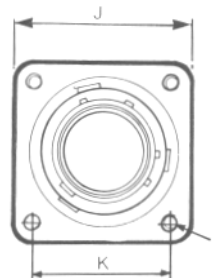
| Shell Size | A max          | C max          | G max          | M Thread        |
|------------|----------------|----------------|----------------|-----------------|
| 08         | 1.614<br>41.00 | 0.750<br>19.05 | 0.561<br>14.25 | 1/2 - 28 UNEF   |
| 10         | 1.614<br>41.00 | 0.859<br>21.82 | 0.686<br>17.43 | 5/8 - 24 NEF    |
| 12         | 1.614<br>41.00 | 1.031<br>26.19 | 0.811<br>20.60 | 3/4 - 20 UNEF   |
| 14         | 1.614<br>41.00 | 1.156<br>29.36 | 0.936<br>23.78 | 7/8 - 20 UNEF   |
| 16         | 1.614<br>41.00 | 1.281<br>32.54 | 1.061<br>26.95 | 1 - 20 UNEF     |
| 18         | 1.614<br>41.00 | 1.391<br>35.33 | 1.186<br>30.13 | 1.3/16 - 18 NEF |
| 20         | 1.614<br>41.00 | 1.531<br>38-89 | 1.311<br>33.30 | 1.3/16 - 18 NEF |
| 22         | 1.614<br>41.00 | 1.656<br>42.06 | 1.436<br>36.75 | 1.7/16 - 18 NEF |
| 24         | 1.658<br>42.11 | 1.777<br>45.14 | 1.561<br>39.65 | 1.7116 - 18 NEF |

56T



62GB-56T(046)

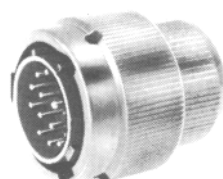
Box-mounting plug. Available for shell size 16:  
other sizes to special order. Cable accessories  
cannot be fitted.



| Shell Size | A max          | J max          | K              | L       |
|------------|----------------|----------------|----------------|---------|
| 16         | 1.042<br>26.47 | 1.317<br>33.45 | 1.000<br>25.40 | 6.32 NC |
| 20         | 1.042<br>26.47 | 1.625<br>41.28 | 1.250<br>31.75 | 6.32 NC |
| 22         | 1.042<br>26.47 | 1.625<br>41.28 | 1.250<br>31.75 | 6.32 NC |

# Plugs

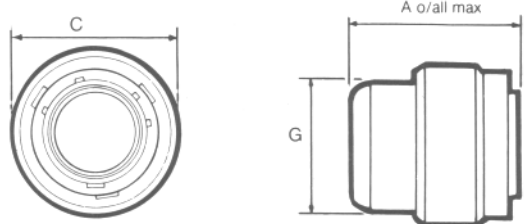
## 16E

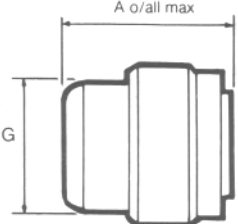


## 62GB-16E

**MIL - C26482 MS3116E**

Plug with grommet and grommet nut





| Shell Size | A max | C max | G max   |
|------------|-------|-------|---------|
| 08         | 1.281 | 0.750 | 0.561   |
|            | 32.54 | 1.05  | 14.25   |
| 10         | 1.281 | 0.859 | 0.686   |
|            | 32.54 | 21.82 | 17.431  |
| 12         | 1.281 | 1.031 | 0.811   |
|            | 32.54 | 26.19 | 20.60   |
| 14         | 1.281 | 1.156 | 0.936 l |
|            | 32.54 | 29.36 | 23.78   |
| 16         | 1.281 | 1.281 | 1.061   |
|            | 32.54 | 32.54 | 26.95   |
| 18         | 1.281 | 1.391 | 1.186   |
|            | 32.54 | 35.33 | 30.13   |
| 20         | 1.281 | 1.531 | 1.311   |
|            | 32.54 | 38.89 | 33.30   |
| 22         | 1.281 | 1.656 | 1.436   |
|            | 32.54 | 42.06 | 36.75   |
| 24         | 1.281 | 1.777 | 1.561   |
|            | 32.54 | 45.14 | 39.65   |

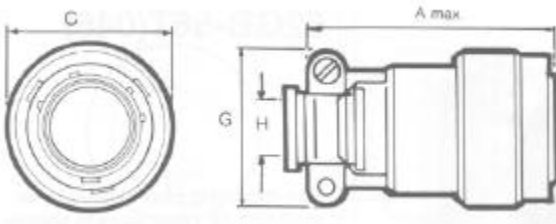
## 16F



## 62GB-16F

**MIL - C26482 MS3116F**

Plug with grommet and grommet nut fitted with integral strain relief clamp.



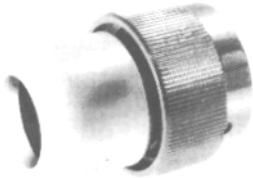


| Shell Size | A max | C dia max | G dia max | H ± 0.005 (± 0.13) |
|------------|-------|-----------|-----------|--------------------|
| 08         | 1.752 | 0.750     | 0.828     | 0.156              |
|            | 44.50 | 19.05     | 21.03     | 3.96               |
| 10         | 1.752 | 0.859     | 0.891     | 0.188              |
|            | 44.50 | 21.82     | 22.63     | 4.78               |
| 12         | 1.752 | 1.031     | 1.016     | 0.312              |
|            | 44.50 | 26.19     | 25.81     | 7.93               |
| 14         | 1.726 | 1.156     | 1.141     | 0.375              |
|            | 43.84 | 29.36     | 28.97     | 9.53               |
| 16         | 1.866 | 1.281     | 1.203     | 0.500              |
|            | 47.40 | 32.54     | 30.56     | 12.70              |
| 18         | 1.866 | 1.391     | 1.426     | 0.625              |
|            | 47.40 | 35.33     | 36.22     | 15.88              |
| 20         | 2.040 | 1.531     | 1.426     | 0.625              |
|            | 51.81 | 38.89     | 36.22     | 15.88              |
| 22         | 2.040 | 1.656     | 1.567     | 0.750              |
|            | 51.81 | 42.06     | 39.80     | 19.05              |
| 24         | 2.178 | 1.777     | 1.735     | 0.800              |
|            | 55.32 | 45.14     | 44.07     | 20.32              |

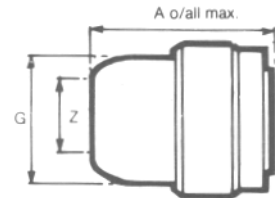


# Plugs

16P



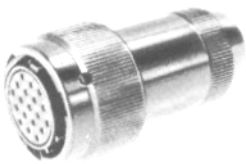
**62GB-16P**  
MIL-C26482 MS3116P



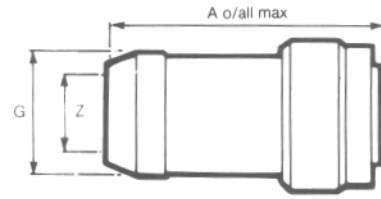
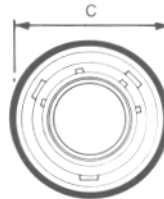
For potted seal. Supplied complete with detachable potting mould and location ring.

| Shell Size | A max          | C max          | G max          | Z min          |
|------------|----------------|----------------|----------------|----------------|
| 08         | 1.306<br>33.17 | 0.750<br>19.05 | 0.572<br>14.53 | 0.260<br>6.60  |
| 10         | 1.415<br>35.94 | 0.859<br>21.82 | 0.666<br>16.92 | 0.463<br>11.76 |
| 12         | 1.384<br>35.15 | 1.031<br>26.19 | 0.822<br>20.88 | 0.557<br>14.14 |
| 14         | 1.384<br>35.15 | 1.156<br>29.36 | 0.907<br>23.04 | 0.590<br>14.99 |
| 16         | 1.384<br>35.15 | 1.281<br>32.54 | 1.040<br>26.41 | 0.713<br>18.11 |
| 18         | 1.384<br>35.15 | 1.391<br>35.33 | 1.165<br>29.59 | 0.835<br>22.21 |
| 20         | 1.539<br>39.09 | 1.531<br>38.89 | 1.285<br>32.64 | 1.015<br>25.78 |
| 22         | 1.539<br>39.09 | 1.656<br>42.06 | 1.400<br>35.56 | 1.015<br>25.78 |
| 24         | 1.602<br>40.69 | 1.777<br>45.14 | 1.540<br>39.12 | 1.265<br>32.13 |

16J



**62GB - 16J**



Plug with cable clamp for unscreened jacketed cable. No grommet supplied.

| Shell Size | A max          | C max          | G max          | Z min          | Z max          |
|------------|----------------|----------------|----------------|----------------|----------------|
| 08         | 1.836<br>46.64 | 0.750<br>19.05 | 0.561<br>14.25 | 0.168<br>4.28  | 0.230<br>5.84  |
| 10         | 1.836<br>46.64 | 0.859<br>21.82 | 0.686<br>17.43 | 0.205<br>5.21  | 0.312<br>7.93  |
| 12         | 1.937<br>49.20 | 1.031<br>26.19 | 0.811<br>20.60 | 0.388<br>8.59  | 0.442<br>11.23 |
| 14         | 2.137<br>54.28 | 1.156<br>29.36 | 0.936<br>23.78 | 0.416<br>10.57 | 0.539<br>13.69 |
| 16         | 2.337<br>59.36 | 1.281<br>32.54 | 1.061<br>26.95 | 0.550<br>13.97 | 0.616<br>15.65 |
| 18         | 2.537<br>64.45 | 1.391<br>35.33 | 1.186<br>30.13 | 0.600<br>15.24 | 0.672<br>17.07 |
| 20         | 2.758<br>70.05 | 1.531<br>38.89 | 1.311<br>33.30 | 0.635<br>16.13 | 0.747<br>18.98 |
| 22         | 2.958<br>75.13 | 1.656<br>42.06 | 1.436<br>36.75 | 0.670<br>17.02 | 0.846<br>21.49 |
| 24         | 3.002<br>76.25 | 1.777<br>45.14 | 1.561<br>39.65 | 0.740<br>18.80 | 0.894<br>22.71 |

# Plugs

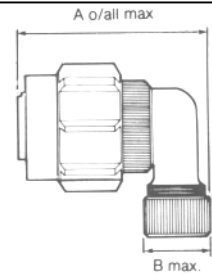
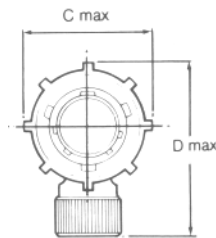
**5039**



**62GB-5039-10**

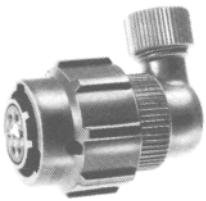
**SD/C 235 155 - X**  
**SD/C 235 156 - X**

Low profile, solder termination plug with 90° screened cable outlet.



| Shell Size | A max          | B max          | C max          | D max          |
|------------|----------------|----------------|----------------|----------------|
| 10         | 1.473<br>37.41 | 0.500<br>12.70 | 0.980<br>24.89 | 1.500<br>38.10 |

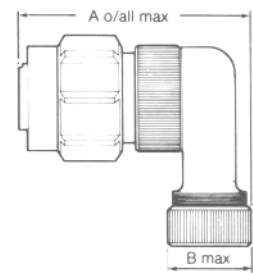
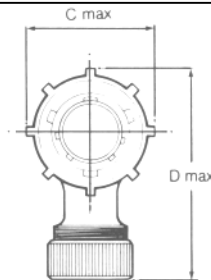
**5055**



**62GB-5055-10**

**SD/2 235 193 - X**

Low profile solder termination plug with size 12 90° screened cable outlet.



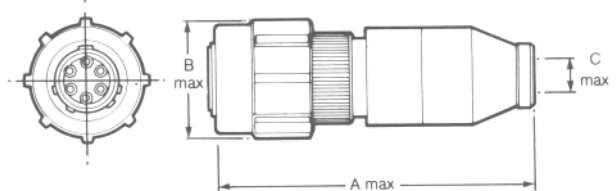
| Shell Size | A max          | B max          | C max          | D max          |
|------------|----------------|----------------|----------------|----------------|
| 10         | 1.800<br>45.72 | 0.655<br>16.64 | 0.980<br>24.89 | 1.800<br>45.72 |

**5056**



**62GB-5056-10**

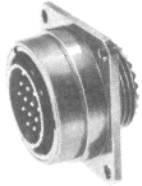
Audio plug with solder termination



| Shell Size | A max          | B max                          | C max         |
|------------|----------------|--------------------------------|---------------|
| 10         | 2.375<br>60.33 | 0.979 / 0.969<br>24.87 / 24.61 | 0.310<br>7.87 |

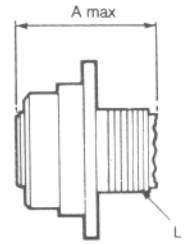
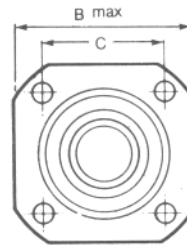
# Plugs

**5074**



**62GB-5074**

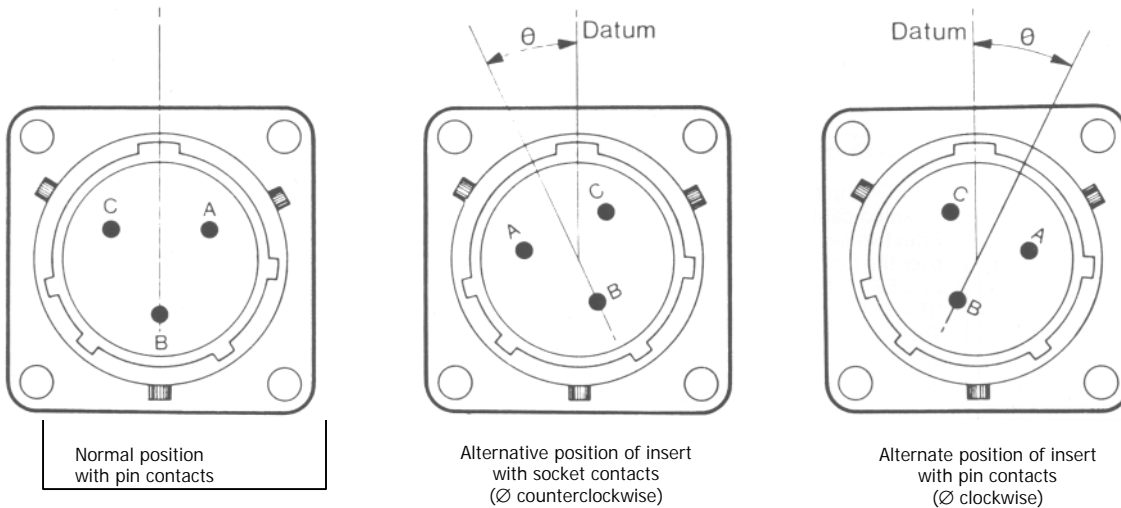
Flange mounting push/pull plug with threaded shell to accept standard cable accessories.



| Shell Size | A max          | B max          | C              | L             |
|------------|----------------|----------------|----------------|---------------|
| 10         | 0.912<br>23.17 | 1.125<br>28.57 | 0.866<br>22.00 | 9/16 - 24 NEF |
| 12         | 0.912<br>23.17 | 1.218<br>30.93 | 0.969<br>24.61 | 9/16 - 24 NEF |
| 14         | 0.912<br>23.17 | 1.312<br>33.32 | 1.062<br>26.97 | 9/16 - 24 NEF |

# Insert Orientations

## For M I L-C-26482 and for replacement purposes in BS9522 FOO 17

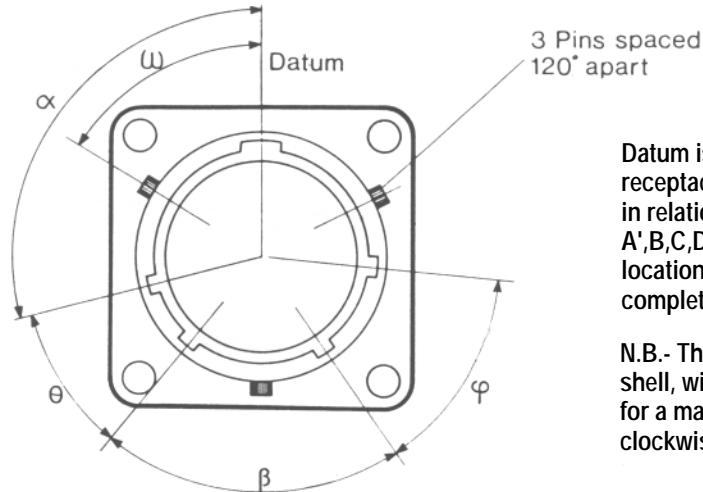


Each diagram shows mating face of insert.

| Insert Arrangement | Normal | Orientation $\theta$ (degrees) |     |     |     |
|--------------------|--------|--------------------------------|-----|-----|-----|
|                    |        | W                              | X   | Y   | Z   |
| 8-2                | 0      | 58                             | 122 | -   | -   |
| 8-3                | 0      | 60                             | 210 | -   | -   |
| 8-33               | 0      | 90                             | -   | -   | -   |
| 8-4                | 0      | 45                             | -   | -   | -   |
| 8-98               | 0      | -                              | -   | -   | -   |
| 10-2               | 0      | -                              | -   | -   | -   |
| 10-6               | 0      | 90                             | -   | -   | -   |
| 10-7               | 0      | -                              | -   | -   | -   |
| 12-3               | 0      | -                              | -   | 180 | -   |
| 12-10              | 0      | 60                             | 155 | 270 | 295 |
| 14-5               | 0      | 40                             | 92  | 184 | 273 |
| 14-12              | 0      | 43                             | 90  | -   | -   |
| 14-15              | 0      | 17                             | 110 | 155 | 234 |
| 14-19              | 0      | 30                             | 165 | 315 | -   |
| 16-18              | 0      | 54                             | 152 | 180 | 331 |
| 16-23              | 0      | 158                            | 270 | -   | -   |
| 16-26              | 0      | 60                             | -   | 275 | 338 |
| 18-11              | 0      | 62                             | 119 | 241 | 340 |
| 18-32              | 0      | 85                             | 138 | 222 | 265 |
| 20-16              | 0      | 238                            | 318 | 333 | 347 |
| 20-41              | 0      | 45                             | 126 | 225 | -   |
| 22-21              | 0      | 16                             | 135 | 175 | 349 |
| 22-55              | 0      | 30                             | 142 | 226 | 314 |
| 24-61              | 0      | 90                             | 180 | 270 | 324 |

# Key/Keyway Orientations

## For BS9522 F0017



Datum is always taken from major key or keyway. In receptacles the major keyway always remains fixed in relation to the mounting flange. For the A',B,C,D',E and F orientations, the three bayonet locations and associated minor keyways are rotated complete, in accordance with the table below.

N.B.- The accompanying diagram shows a receptacle shell, with keyways. Corresponding key orientations for a mating plug shell are therefore always clockwise.

| Shell Size | Values for $\omega$ (degrees) |     |    |     |     |     |     | Values for $\theta$ (degrees) |    |    |    |    |    | Values for $\beta$ (degrees) |    |     |    |     |    |     |    |
|------------|-------------------------------|-----|----|-----|-----|-----|-----|-------------------------------|----|----|----|----|----|------------------------------|----|-----|----|-----|----|-----|----|
|            | N                             | A*  | B  | C   | D*  | E   | F   | N                             | A* | B  | C  | D* | E  | F                            | N  | A*  | B  | C   | D* | E   | F  |
| 8          | 105                           | 92  | -  | -   | 118 | 118 | 82  | 35                            | 35 | -  | -  | 35 | 30 | 50                           | 75 | 75' | -  | -   | 75 | 100 | 75 |
| 10         | 105                           | 95  | 85 | 125 | 115 | 115 | 85  | 35                            | 35 | 35 | 35 | 35 | 30 | 50                           | 75 | 75  | 75 | 75  | 75 | 100 | 75 |
| 12         | 105                           | 97  | 89 | 121 | 113 | 115 | 85  | 35                            | 35 | 35 | 35 | 35 | 30 | 50                           | 75 | 75  | 75 | 75  | 75 | 100 | 75 |
| 14         | 105                           | 98  | 91 | 119 | 112 | 75  | 120 | 35                            | 35 | 35 | 35 | 35 | 30 | 50                           | 75 | 75  | 75 | 75  | 75 | 100 | 75 |
| 16         | 105                           | 99  | 93 | 117 | 111 | 75  | 120 | 35                            | 35 | 35 | 35 | 35 | 30 | 50                           | 75 | 75  | 75 | 75  | 75 | 100 | 75 |
| 18         | 105                           | 100 | 95 | 115 | 110 | 75  | 120 | 35                            | 35 | 35 | 35 | 35 | 30 | 50                           | 75 | 75  | 75 | 75  | 75 | 100 | 75 |
| 20         | 105                           | 100 | 95 | 115 | 110 | 75  | 120 | 35                            | 35 | 35 | 35 | 35 | 30 | 50                           | 75 | 75  | 75 | 75  | 75 | 100 | 75 |
| 22         | 105                           | 101 | 97 | 113 | 109 | 75  | 120 | 35                            | 35 | 35 | 35 | 35 | 30 | 50                           | 75 | 75  | 75 | 100 | 75 | 75  | 75 |
| 24         | 105                           | 101 | 97 | 113 | 109 | 75  | 120 | 35                            | 35 | 35 | 35 | 35 | 30 | 50                           | 75 | 75  | 75 | 75  | 75 | 100 | 75 |

| Shell Size | Values for $\phi$ (degrees) Orientation |    |    |    |    |    |    | Values for $\omega$ (degrees) Orientation |    |    |    |    |    |    |
|------------|---|----|----|----|----|----|----|---|----|----|----|----|----|----|
|            | N                                       | A* | B  | C  | D* | E  | F  | N   | A* | B  | C  | D* | E  | F  |
| 8          | 50                                      | 50 | 50 | 50 | 50 | 30 | 45 | 60  | 47 | -  | -  | 73 | 73 | 47 |
| 10         | 50                                      | 50 | 50 | 50 | 50 | 30 | 45 | 60  | 50 | 40 | 80 | 70 | 70 | 50 |
| 12         | 50                                      | 50 | 50 | 50 | 50 | 30 | 45 | 60  | 52 | 44 | 76 | 68 | 70 | 50 |
| 14         | 50                                      | 50 | 50 | 50 | 50 | 30 | 35 | 60  | 53 | 46 | 74 | 67 | 30 | 75 |
| 16         | 50                                      | 50 | 50 | 50 | 50 | 30 | 35 | 60  | 54 | 48 | 72 | 66 | 30 | 75 |
| 18         | 50                                      | 50 | 50 | 50 | 50 | 30 | 35 | 60  | 55 | 50 | 70 | 65 | 30 | 75 |
| 20         | 50                                      | 50 | 50 | 50 | 50 | 30 | 35 | 60  | 55 | 50 | 70 | 65 | 30 | 75 |
| 22         | 50                                      | 50 | 50 | 50 | 50 | 30 | 35 | 60  | 56 | 52 | 68 | 64 | 30 | 75 |
| 24         | 50                                      | 50 | 50 | 50 | 50 | 30 | 35 | 60  | 56 | 52 | 68 | 64 | 30 | 75 |

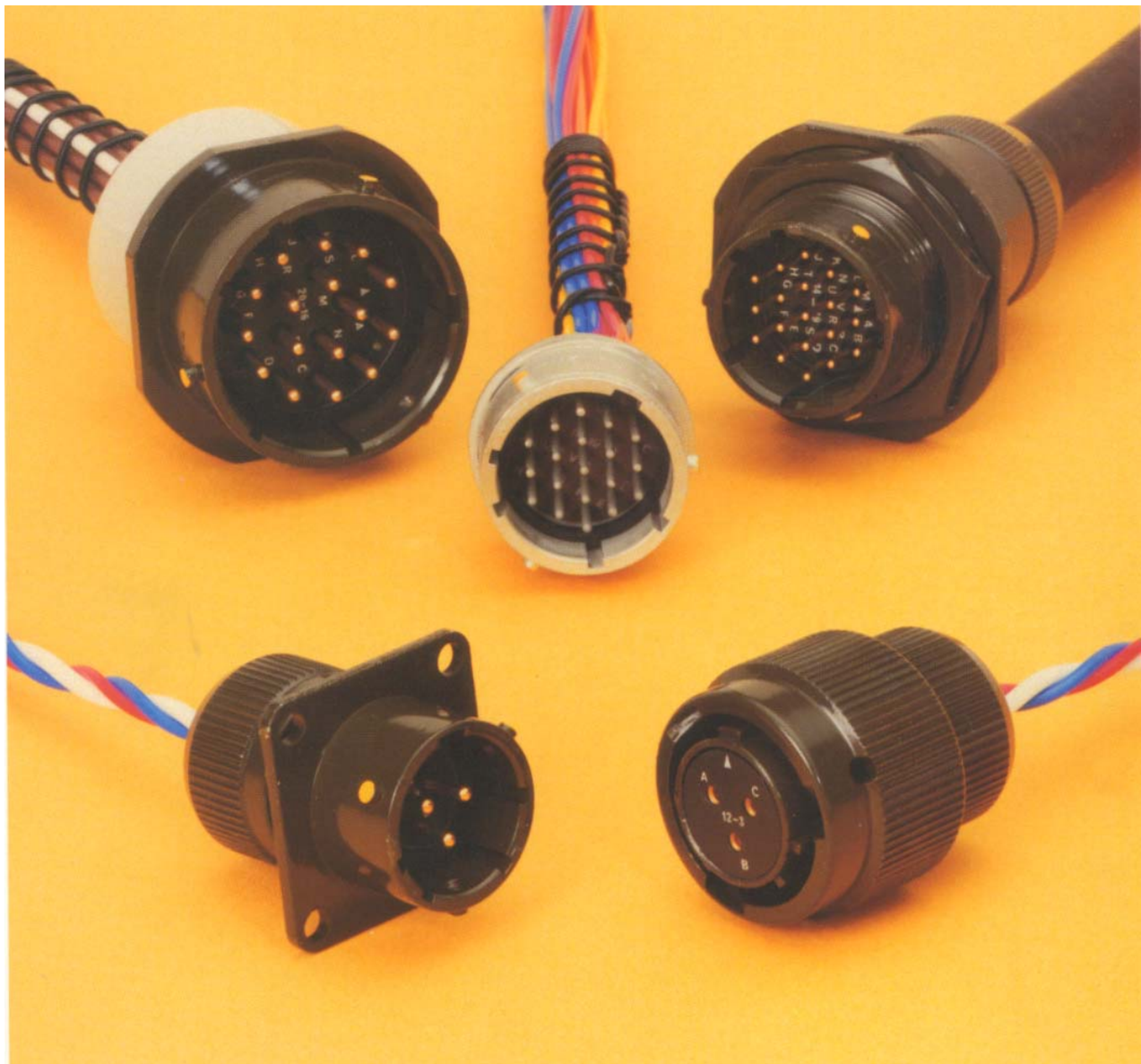
\* now inactive for new designs but available for replacement purposes. Superseded in BS9522 F0017 by orientations E and F.



# 62 GB- Series Receptacles

## CE-2Ra

Miniature Bayonet Lock Connectors  
Complies with MIL-C-26482



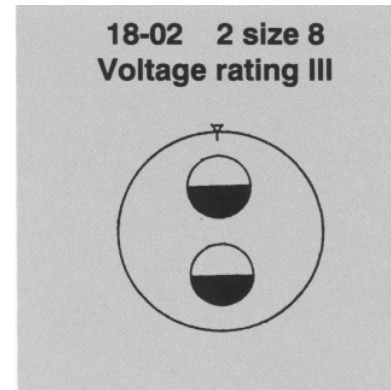
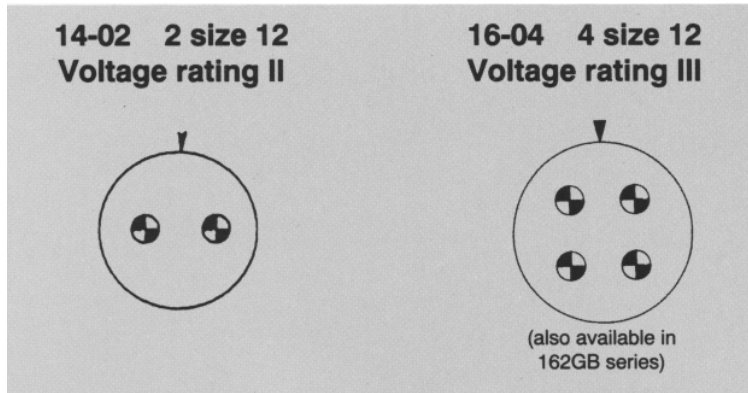
This miniature bayonet lock connector series offers designers important features not found in any other range of connectors.

They are developed and manufactured entirely in the U.K. by AMPHENOL Ltd., and have full qualification approval to British Standards Specification BS 9522 F0017 and British Defence Specification DEF STAN 59-35 (Part 3) Sec. 7.

This catalogue to be used in conjunction with Catalogues:  
CE-2Pa – 62GB Series Plugs  
CE-2Aa – 62GB Series Accessories

# Amphenol

# 62GB and Pattern 608 New Planforms



**Current:**

- (a) Maximum current per individual contact (in isolation)\* at ambient temperature of 85°C  
Contact size 12: 23 A
- (b) Maximum current per contact through all contacts simultaneously at an ambient temperature of 85°C  
Contact size 12: 20 A

**Current:**

- (a) Maximum current per individual contact (in isolation)\* at ambient temperature of 85°C  
Contact size 8: 45 A
- (b) Maximum current per contact through all contacts simultaneously at an ambient temperature of 85°C  
Contact size 8: 40 A

|   | Sea level<br>1013 mbar † |      |      | 8500m (27,900ft)<br>320 mbar |      |      | 21,340m (70,000ft)<br>44 mbar |     |     |
|---|--------------------------|------|------|------------------------------|------|------|-------------------------------|-----|-----|
|   | I                        | II   | III  | I                            | II   | III  | I                             | II  | III |
| Voltage rating<br>Working voltages **<br>(nominal)<br>d.c. or a.c. peak | 700                      | 1200 | 1500 | 550                          | 650  | 800  | 330                           | 380 | 450 |
| Voltage proof<br>d.c. or a.c. peak                                      | 2100                     | 3000 | 3000 | 1100                         | 1300 | 1300 | 660                           | 760 | 750 |

\* i.e. when only one contact per connector is electrically loaded.

† 1 mbar=10<sup>2</sup> N/m<sup>2</sup>=100 Pa

\*\* Establishment of electrical safety factors is the responsibility of the user



| <b>CONTENTS</b>                                  | <b>Page</b> |
|--|-------------|
| Amphenol 62GB Solder Connectors                  | 4           |
| Schedule of Tests                                | 5-6         |
| Connector Styles Available                       | 7           |
| Insert Availability                              | 9-10        |
| Ordering 62GB Series Connectors                  | 11-12       |
| Box Mounting Receptacles - Table of Styles       | 13-14       |
| Box Mounting Receptacles                         | 15-19       |
| Single Hole Fixing Receptacles - Table of Styles | 20-22       |
| Single Hole Fixing Receptacles                   | 23-30       |
| Cable Mounting Receptacles - Table of Styles     | 31          |
| Cable Mounting Receptacles                       | 32-34       |
| Insert Orientations                              | 35          |
| Key/Keyway Orientations                          | 36          |

This catalogue to be used in conjunction with Catalogues:  
CE-2Pa – 62GB Series Receptacles  
CE-2Aa – 62GB Series Accessories

This miniature bayonet lock connector series offers designers important features not found in any other range of connectors. The range has full qualification approval to British Standards Specification BS 9522 FOO 17 and British Defence Specification DEF STAN 59-35 (Part 3) Sec. 7.

62GB Series connectors - developed and manufactured entirely in the United Kingdom by Amphenol Limited. They are the first and only British connectors to have achieved this. A doubly strong position which Amphenol are well geared to handle. The manufacturing facilities of the Whitstable plant have been cited as exemplary in Europe. Certainly the layout is extensive and extremely efficient; safety awards have been attained every time returns have been submitted to the British Safety Council.

62GB Series connectors have been well established with Government authorities on an international scale and users can be found in Sweden, Denmark, Norway, Finland, Germany, Spain, Holland, India, Canada and Italy.

### Derating

Connectors must be derated under the following operating conditions:

1. At elevated ambient temperatures, the current ratings are reduced so that total maximum hot spot temperature of 125°C is not exceeded.
2. At high altitudes, revised voltage ratings become effective as shown on page 7.
3. When connectors to different specifications are intermated (e.g. BS 9522 FOO 17 and MIL-C26482), the combination must not be operated under conditions more severe than the less stringent clause of either specification.

Amphenol 62GB connectors are designed to meet the most stringent requirements of both specifications.

### Military Specifications

British Standards Specification BS 9522 FOO 17 closely corresponds to the United States Military Specification MIL-C-26482 solder terminations. Certain differences exist between the schedules which can be seen on pages 2 and 3.

Approved gauges are used to check interchangeability of 62GB series with other connectors manufactured to BS 9522 FOO 17 or MIL-C-26482.

# Amphenol® 62GB solder connectors

### Basic Construction

62GB Series can be supplied in brass or stainless steel.

The normal shell finish used, which has a high resistance to corrosion, is zinc cobalt olive drab. Other finishes may be supplied to special order, such as cadmium plate which is available by adding deviation (714) to the end of part number.

Inserts are of polychloroprene rubber compounded to an Amphenol specification. Operating temperature range is -55°C to 125°C, and the connectors have gold-plated contacts designed for soldered connections. Configurations for size 20 contacts range between 2 contacts in the size 8 12.7mm (0.5in diameter) shell up to a maximum of 61 contacts in the size 2436.1 mm (1.5in diameter) shell. Intermediate sizes, and contact data for heavier current ratings are shown in the insert availability chart on page 6 and 7.

Hermetic connectors with glass sealed dielectric are manufactured with mild steel shells and nickel iron contacts plated tin over copper.

\* Other finishes are available on request.

### Protection Against Mis-Mating or Cross-Plugging

In BS 9522 FOO 17 positive shell-to-shell keying is provided with keys and keyways in a choice of either the normal (N) or any of the four preferred alternate positions: B, C, E and F. This prevents mismating between shells of different orientations and overcomes the difficulties associated with rotated inserts and a standard key-keyway orientation. In the latter system, damage to the inserts or contacts can result if excessive force is used to engage non-mating pairs.

Rotated inserts are, however, permissible in BS 9522 FOO 17 connectors if required to mate with or replace units to MIL-C-26482 mounted in existing equipment. Connectors have normal orientations manufactured to BS 9522 FOO 17 or MIL-C-26482 are fully intermateable as also are connectors with inserts in positions W, X, Y or Z.

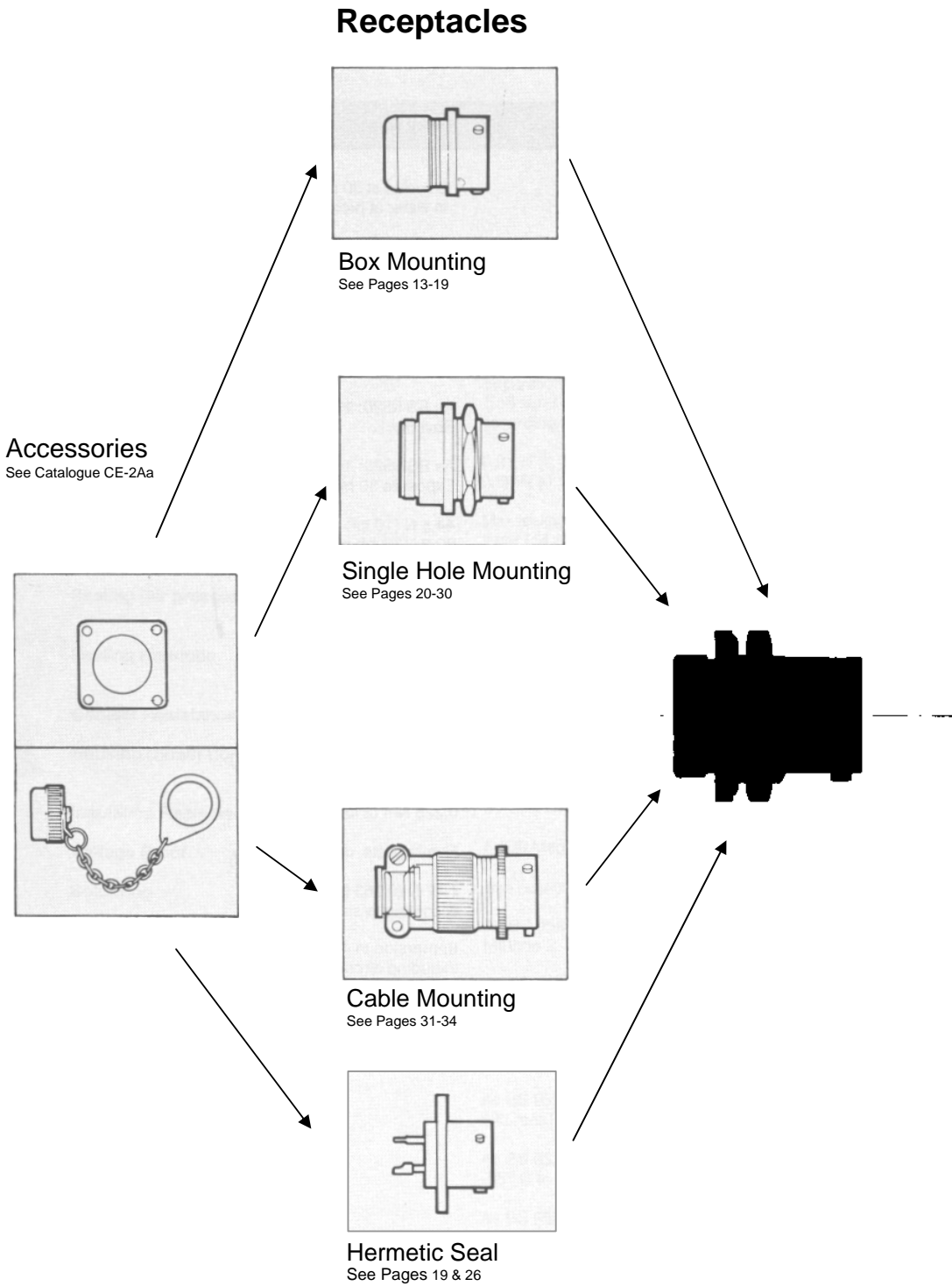
# Schedule of Tests Required for Qualification Approval

| Tests   | Brief Description  |
|---|--|
| <b>Visual Examination</b>   |  |
| <b>Dimensions, outline mass(including contacts) Compatability Gauging procedure</b> |  |
| <b>Polarization</b>   |  |
| <b>Engaging and separating force, connector</b>                                     | Engagement max: 0,90 Nm (8.0 lbf.in.) to 4,97 Nm (44 lbf.in.) according to shell size.<br>Separation min: 0,22 Nm (2.0 lbf.in.) to 1,58 Nm (14.0 lbf.in.) according to shell size. |
| <b>Contact Holding Force</b>  | 0,21 N (0.047 lbf) min.size 20<br>0,56 N (0.126 lbf)min. size 16   |
| <b>Sealing (air pressure)</b>   | Max leakage 28,53 uNm/s (1 cm3/h), 1 bar (14.5 p.s.i.) differential.   |
| <b>Sealing Hermetic</b>   | Hermetic receptacles have a max leak of 0.1 micron cubic foot per hour (1 x 10 <sup>-6</sup> Cm3/s)  |
| <b>Contact Resistance</b>   | 5 milliohms max.   |
| <b>Housing (Shell) Continuity</b>   | 200 milliohms max. 5 milliohms max. grounding spring styles.   |
| <b>Insulation Resistance</b>  | 5,000 Megaohms at 500 - 50 V d.c.  |
| <b>Voltage Proof</b>  | See page 7. Duration 1 minute  |
| <b>Soldering</b>  | As BS 9520: 1974, Clause 1.2.6.6, Method 2.  |
| <b>Bumping</b>  | As BS 9520: 1974, Clause 1.2.6.1. 4,000 -10 bumps / 390m / s <sup>2</sup> (40 gn).   |
| <b>Vibration</b>  | As BS 9520: 1974, Clause 1.2.6.2.1. Procedure A. 10 Hz to 5000 Hz, 0.75 mm / 10 gn.  |
| <b>Shock</b>  | As BS 9520: 1974, Clause 1.2.6.3. 981 m/s <sup>2</sup> (100 g n).  |
| <b>Acceleration (Steady State)</b>  | As BS 9520: 1974, Clause 1.2.6.4. 490 m/s <sup>2</sup> (50 gn).  |
| <b>Rapid Change of Temperature</b>  | As BS 9520: 1974, Clause 1.2.6.7. -550 C to - 1250 C.  |
| <b>Climatic Sequence</b>  | As BS 9520: 1974, Clause 1.2.6.11. Severity 55/125/56.   |
| <b>Flammability</b>   | As BS 9520: 1974, Clause 1.2.6.8. Direct flame applied, duration 1 minute.   |
| <b>Damp Heat (Steady State)</b>   | As BS 9520: 1974, Clause 1.2.6.14. Severity 56 days.   |

# Schedule of Tests Required for Qualification Approval

| Tests  | Brief Description   |
|--|---|
| <b>Immersion (at low air pressure)</b>                                   | 3 cycles at 30 mins each cycle, total immersion in water at pressure 44 m bar.                                  |
| <b>Mechanical Endurance</b>  | 500 operations minimum  |
| <b>High Temperature Endurance</b>  | Long term: 1,000 hrs. at 85°C ambient carrying the specified current. Short term: 250 hrs at 125°C, no current. |
| <b>Mould Growth</b>  | As BS 9520: 1983, Clause 1.2.6.16<br>28 days duration.  |
| <b>Salt Mist</b>   | As BS 9520: 1983, Clause 1.2.6.17.<br>Severity 1.   |
| <b>Dust</b>  | As BS 9520: 1983, Clause 1.2.6.18<br>Exposure 30 minutes.   |
| <b>Robustness of Terminations</b>  | 44,5 N (101bf) size 16<br>22,2 N (5 lbf) size 20  |
| <b>Contact Retention (in insert)</b>                                     | 67,0 N (15 lbf) min. size 20<br>112,0 N (25 lbf) min. size 16   |
| <b>Insert Retention (in shell)</b>                                       | 517 KN1m2 (751bf/in2) min.  |
| <b>Test Prod Damage</b>  | Moment: 0,056 Nm (0.5 lbf in) size 20<br>0,225 Nm (2 lbf in) size 16  |
| <b>Impact</b>  | Five impacts, drop height 1 m (3ft.3 in.).  |
| <b>Grounding Spring Holding Force Plugs with grounding springs only.</b> | 1,17 N (0.263 lbf) to 2,74 N (0.616 lbf) according to size.   |
| <b>Fluid Resistance</b>  | Immersion in 4 solvents and 9 fluids including aircraft fuels, lubricating oils and hydraulic fluids.           |
| <b>Compass Safe Distance</b>   | As BS 9520: 1974, Clause 1.2.5.11. 127 mm (5.0 in) min.   |

# Connector Styles Available





# Insert Availability

| 8        | 10       | 12        | 14         | 16         | 18        | 20        |
|----------|----------|-----------|------------|------------|-----------|-----------|
| 8-2*<br> | 10-6<br> | 12-10<br> | 14-12†<br> | 16-23*<br> | 18-32<br> | 20-41<br> |
| 8-3*<br> | 10-7<br> |           | 14-15<br>  | 16-26<br>  |           |           |
| 8-33<br> |          |           | 14-19<br>  |            |           |           |
| 8-4*<br> |          |           |            |            |           |           |
| 8-98<br> | 10-2<br> | 12-3<br>  | 14-5<br>   | 16-8<br>   | 18-11<br> | 20-16<br> |

## NOTES

\* This insert arrangement is not included in B.S. spec., but is available and listed in MIL-C-26482.

† Due to the arrangement of contacts in the 14-12 insert arrangement it is classified, for current derating, in the shell size range 18-24.

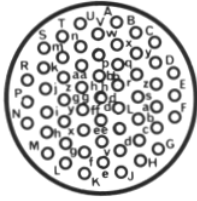
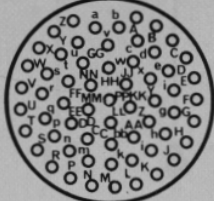
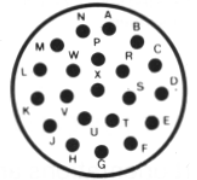
Lettering of inserts shown above corresponds to view of front (mating surface of pin inserts or rear face (cable accessory end) of socket inserts).

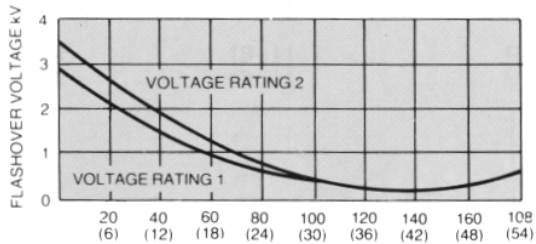
KEY ● No 16 size contacts  
○ No 20 size contacts

## CURRENT RATING

Maximum current per individual contact (in isolation) at a maximum ambient temperature of 85°C: Size 20 contact 7.5A Size 16 contact 13-OA The performance of 62GB Series connectors at all times exceeds the maximum continuous bunched rating of the appropriate size wire, or cable of equivalent temperature rating. This bunched rating is therefore the determining factor. In the case of mixed loadings, the greatest individual load shall be the bunched loading. In any combination of ambient temperature plus temperature rise due to current flow through the contacts, the maximum connector internal hot spot temperature of 125°C must not be exceeded. That is, when only one contact per connector is loaded.

# Insert Availability

|  |   | VOLTAGE RATINGS  |                           |                             |                                 |
|--|---|--|---------------------------|-----------------------------|---------------------------------|
| 22   | 24  | ALTITUDE   | D.C. WORKING VOLTAGE      | A.C. WORKING VOLTAGE R.M.S. | PROOF VOLTAGE D.C. OR A.C. PEAK |
| <b>22-55</b><br>  | <b>24-61</b><br> | <b>Rating 1</b><br>Sea level<br><br>300 mb at 20°C<br>8,500m (27,800 ft)<br><br>44 mb at 20°C<br>20,000m (66,000 ft) | 700<br><br>550<br><br>330 | 500<br><br>390<br><br>230   | 2100<br><br>1100<br><br>660     |
| <b>22-21</b><br> <p>† Available to special order only</p> |   | <b>Rating 2</b><br>Sea level<br>300 mb at 20°C<br>8,500m (27,800 ft)<br>44 mb at 20°C<br>20,000m (66,000 ft)         | 120<br><br>650<br><br>380 | 850<br><br>460<br><br>270   | 3000<br><br>1300<br><br>760     |



ALTITUDE-THOUSANDS OF FEET (METRES)  
 Relationship between flashover voltage and altitude for each voltage rating

## VOLTAGE RATINGS

Two categories of voltage rating are specified in BS9522 F0017, F0038 and N0001.

**Rating 1** (700V d.c. working at sea-level) Applicable to the high contact density inserts shown in the upper section of the insert availability diagram above.

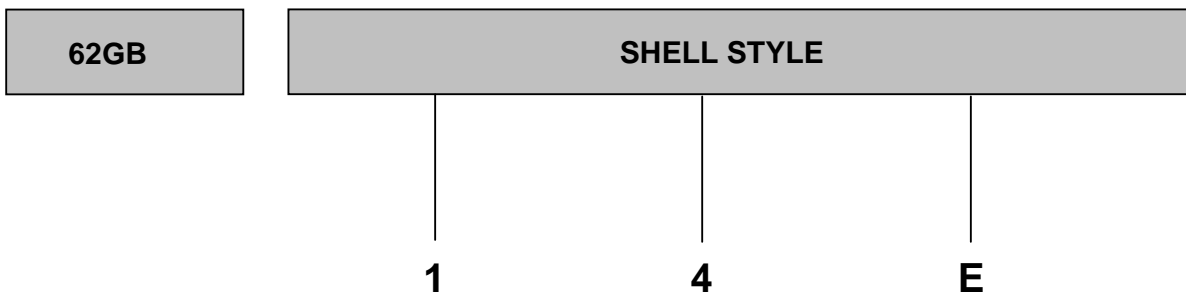
**Rating 2** (1200V d.c. working at sea-level) Applicable to the inserts shown in the lower section of the insert availability diagram.

**Altitude derating.** Information on voltage derating for operation at altitudes above sea-level can be obtained from the flashover voltage altitude curves on the left.



# Ordering 62GB Series Connectors

To obtain the specific connector required write down the connector number from the typical example below. Only inserts shown in the availability chart on p. 10&11 can be specified. All connectors are delivered with protective dust covers



#### Series designation

62 GB - Aluminium shell  
62 GB SS -Stainless steel shell\*  
62 GB CU - Brass shell\*  
\*consult factory for availability  
62GB-XXH-Hermetic mild steel shell.

#### Specification key

1 - Styles originally specified in MIL-C-26482  
5 - Styles exclusive to BS9522 F0017

#### Shell style

0 - Receptacle wall mounting  
1 - Receptacle cable mounting  
2 - Receptacle box mounting  
3 - Receptacle, solder flange mounting  
4 - Receptacle, internally threaded with cable accessories as illustrated, for single hole mounting  
6 - Plug cable mounting  
7- Receptacle, plain shell, single hole mounting

#### Environmental code

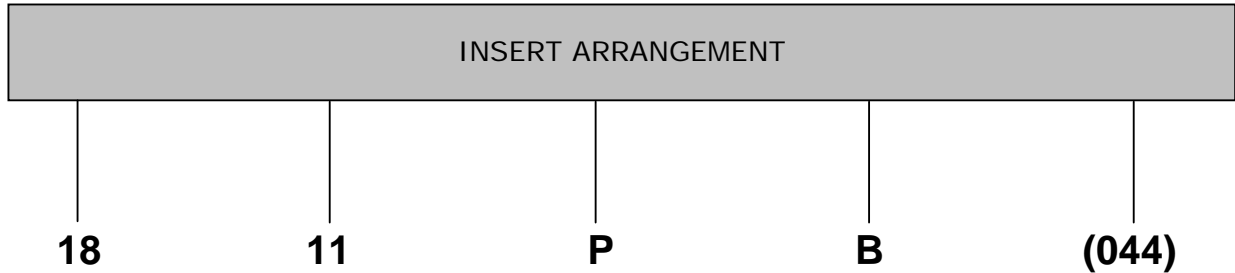
A - Plain shell, exposed solder buckets. No grommet  
E - Insert seal and grommet seal with grommet nut (excluding 12E which has plain shell and no grommet or nut)  
F - As (E) but grommet nut has integral strain relief clamp  
H - Hermetic seal no cable accessories  
J - As (E) but with resilient gland seal and nut for unscreened jacketed cable. No grommet supplied. See pp. 26-27 for accessory to accept screened jacketed cable.  
P - Potting construction complete with potting mould  
T - Exposed solder buckets. Threaded shell for cable accessories

## HOW TO ORDER FROM MS CONNECTOR NUMBERS

Connector numbers in the AMPHENOL and MS numbering systems. Only alternative insert orientations are specified in MIL-C-26482 which does not include alternative key/keyway orientations.

|      |   |    |   |        |   |   |
|------|---|----|---|--------|---|---|
| MS31 | - | 14 | E | 18 -11 | P | X |
| 62GB | - | 14 | E | 18 -11 | P | X |

# Ordering 62GB Series Connectors



**Shell size** (in sixteenths of an inch) 8, 10, 12, 14, 16, 18, 20, 22, 24

**Number of contacts**  
2, 3, 4, 5, 6, 7, 8, 10, 11, 12, 16, 19, 21, 23, 26, 32, 41, 55, 61  
\* consult factory for availability

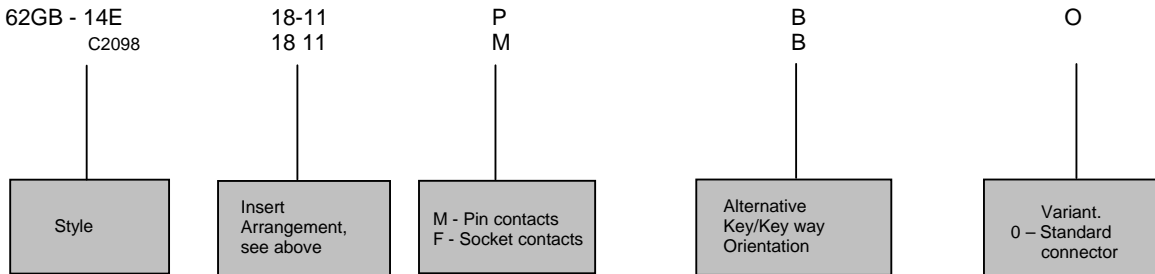
**Contact Style**  
P - Pins  
S - Sockets For hermetic connectors. P3 denotes pin contacts with solder bucket terminations. (Standard range). P2 denotes pin contacts with flattened and pierced terminations. (Special order).

**Orientation**  
(Omit if normal orientation)  
Keys/Keyways: A, B, C, D, E, F, (see p. 31)  
Inserts: W, X, Y, Z. (see p56/57)  
\*Inactive for new designs

**Deviations**  
(044) Rough grip heavy duty coupling ring.  
(046) Box mounting plug.  
(214) Fitted with extension back shell and strain relief clamp without grommet on F types only  
(218) Lever coupling ring  
(219) Contacts for flexible punted wrung (57A and 12E only)  
(639) Bright cadmium plated shells  
(345) Contacts for flexible punted wiring 12H, 13H 17H only  
(276) Hermetics with gold plated contacts.  
(608) Black anodise.  
(416) Electroless nickel  
(714) Cadmium plate olive drab

## HOW TO ORDER FROM B.S. CONNECTOR NUMBERS

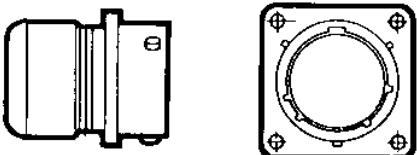
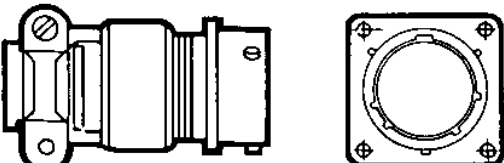
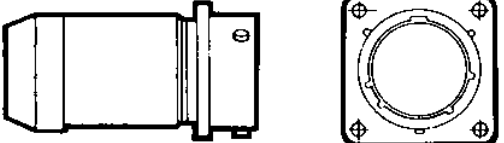
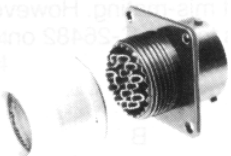
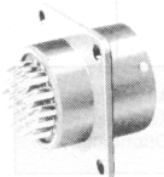
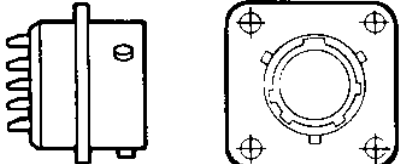
Select the connector style by reference to BS9522 F0017 using the code below for identification. Note that the B.S. Specification includes only certain connectors from the table of styles as shown on pp. 8 & 9. Alternative key/keyway orientations are preferred in the BS9522 F0017 Specification to prevent mis-mating. However, rotated inserts are permissible where connectors are required to mate with or replace items to MIL-C-26482 on existing equipment.



# Box Mounting Receptacles

## Table of Styles

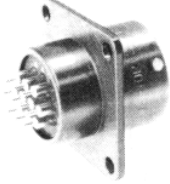
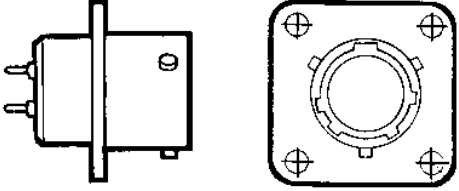
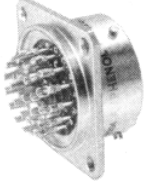
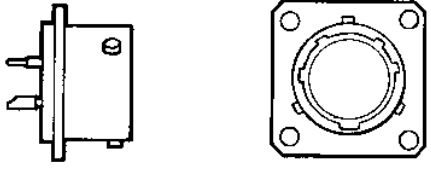
Page No.

|          |   |  |    |
|----------|---|--|----|
| 62GB-50T |    |    | 15 |
| 62GB-10A |    |    | 15 |
| 62GB-10E |   |   | 16 |
| 62GB-10F |  |  | 16 |
| 62GB-10J |  |  | 17 |
| 62GB-10P |  |  | 17 |
| 62GB-12E |  |  | 18 |

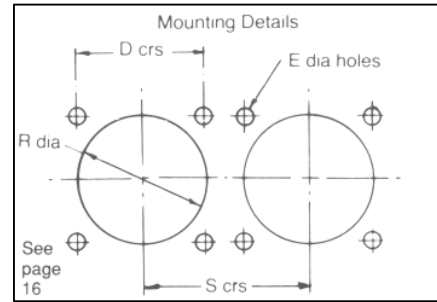
# Box Mounting Receptacles

## Table of Styles

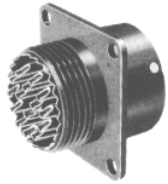
Page No.

|                                   |   |  |           |
|-----------------------------------|---|--|-----------|
| <p>62GB-12E(219)</p>              |  |  | <p>18</p> |
| <p>62GB-12H<br/>Hermetic Seal</p> |  |  | <p>19</p> |

# Box Mounting Receptacles

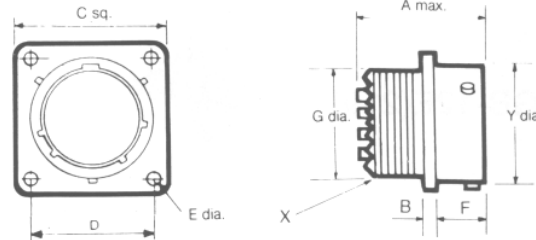


50T



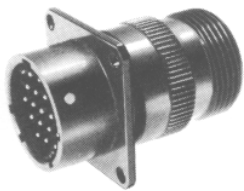
62GB-50T  
BS9522-C2096

4-hole flange mounting with threaded shell to accept standard cable accessories.



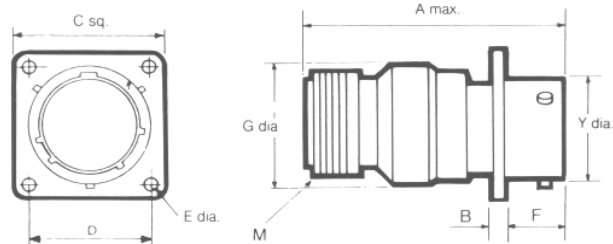
| Shell Size | A max | B ± 0.005 (± 0.13) | C max sq. | D TP Sq. | E dia. ± 0.010 (± 0.254) | F ±0 005 (± 0.13) | G dia max. | Y dia. max. | X Thread        |
|------------|-------|--------------------|-----------|----------|--------------------------|-------------------|------------|-------------|-----------------|
| 08         | 0.978 | 0.062              | 0.817     | 0.594    | 0.120                    | 0.445             | 0.434      | 0.473       | 7/16 - 28 UNEF  |
|            | 24.84 | 1.58               | 20.75     | 15.09    | 3.05                     | 11.3              | 11.02      | 12.02       |                 |
| 10         | 0.978 | 0.062              | 0.942     | 0.719    | 0.120                    | 0.445             | 0.558      | 0.590       | 9/16 - 24 NEF   |
|            | 24.84 | 1.58               | 23.93     | 18.26    | 3.05                     | 11.3              | 14.17      | 14.99       |                 |
| 12         | 0.978 | 0.062              | 1.036     | 0.812    | 0.120                    | 0.445             | 0.683      | 0.750       | 11/16 - 24 NEF  |
|            | 24.84 | 1.58               | 26.32     | 20.63    | 3.05                     | 11.3              | 17.35      | 19.05       |                 |
| 14         | 0.978 | 0.062              | 1.130     | 0.906    | 0.120                    | 0.445             | 0.808      | 0.875       | 13/16 - 20 UNEF |
|            | 24.84 | 1.58               | 28.70     | 23.10    | 3.05                     | 11.3              | 20.52      | 22.23       |                 |
| 16         | 0.978 | 0.062              | 1.223     | 0.969    | 0.120                    | 0.445             | 0.933      | 1.000       | 15/16 - 20 UNEF |
|            | 24.84 | 1.58               | 31.07     | 24.61    | 3.05                     | 11.3              | 23.7       | 25.4        |                 |
| 18         | 0.978 | 0.062              | 1.317     | 1.062    | 0.120                    | 0.445             | 1.057      | 1.125       | 1.1/16 - 18 NEF |
|            | 24.84 | 1.58               | 33.45     | 26.58    | 3.05                     | 11.3              | 26.85      | 28.58       |                 |
| 20         | 1.048 | 0.080              | 1.442     | 1.156    | 0.120                    | 0.555             | 1.182      | 1.250       | 1.3/16 - 18 NEF |
|            | 26.62 | 2.03               | 36.63     | 29.36    | 3.05                     | 14.10             | 30.02      | 31.75       |                 |
| 22         | 1.048 | 0.080              | 1.567     | 1.250    | 0.120                    | 0.555             | 1.307      | 1.375       | 1.5/16 - 18 NEF |
|            | 26.62 | 2.03               | 39.80     | 31.75    | 3.05                     | 14.10             | 33.20      | 34.93       |                 |
| 24         | 1.048 | 0.080              | 1.692     | 1.375    | 0.147                    | 0.590             | 1.432      | 1.500       | 1.7/16 - 18 NEF |
|            | 26.62 | 2.03               | 42.98     | 34.93    | 3.04                     | 14.99             | 36.37      | 38.1        |                 |

10A



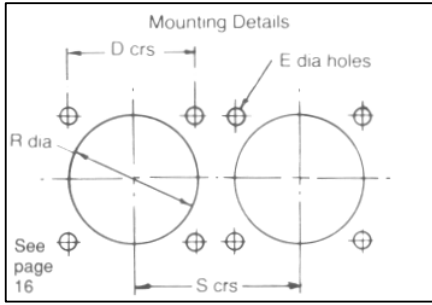
62GB-10A

4-Hole flange mounting with general duty back shell. No grommet supplied.



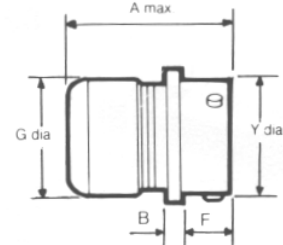
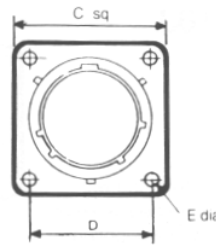
| Shell Size | A max. | B ± 0.005 (± 0.13) | C Max. sq. | D TP sq. | E ± 0.010 (± 0.254) | F ± 0.005 (± 0.13) | G dia max. | Y dia. max. | M               |
|------------|--------|--------------------|------------|----------|---------------------|--------------------|------------|-------------|-----------------|
| 08         | 1.624  | 0.062              | 0.817      | 0.594    | 0.120               | 0.445              | 0.561      | 0.473       | 1/2 - 28 UNEF   |
|            | 41.25  | 1.58               | 20.75      | 15.09    | 3.05                | 11.3               | 14.25      | 12.02       |                 |
| 10         | 1.624  | 0.062              | 0.942      | 0.719    | 0.120               | 0.445              | 0.686      | 0.590       | 5/8 - 24 NEF    |
|            | 41.25  | 1.58               | 23.93      | 18.26    | 3.05                | 11.3               | 17.43      | 14.99       |                 |
| 12         | 1.624  | 0.062              | 1.036      | 0.812    | 0.120               | 0.445              | 0.811      | 0.750       | 3/4 - 20 UNEF   |
|            | 41.25  | 1.58               | 26.32      | 20.63    | 3.05                | 11.3               | 20.60      | 19.05       |                 |
| 14         | 1.624  | 0.062              | 1.130      | 0.906    | 0.120               | 0.445              | 0.936      | 0.875       | 7/8 - 20 UNEF   |
|            | 41.25  | 1.58               | 28.70      | 23.10    | 3.05                | 11.3               | 23.78      | 22.23       |                 |
| 16         | 1.624  | 0.062              | 1.223      | 0.969    | 0.120               | 0.445              | 1.061      | 1.000       | 1 - 20 UNEF     |
|            | 41.25  | 1.58               | 31.07      | 24.61    | 3.05                | 11.3               | 26.98      | 25.4        |                 |
| 18         | 1.624  | 0.062              | 1.317      | 1.062    | 0.120               | 0.445              | 1.186      | 1.125       | 1.3/16 - 18 NEF |
|            | 41.25  | 1.58               | 33.45      | 26.58    | 3.05                | 11.3               | 30.12      | 28.58       |                 |
| 20         | 1.687  | 0.080              | 1.442      | 1.156    | 0.120               | 0.555              | 1.311      | 1.250       | 1.3/16 - 18 NEF |
|            | 42.85  | 2.03               | 36.63      | 29.36    | 3.05                | 14.10              | 33.30      | 31.75       |                 |
| 22         | 1.687  | 0.080              | 1.567      | 1.250    | 0.120               | 0.555              | 1.436      | 1.375       | 1.7/16 - 18 NEF |
|            | 42.85  | 2.03               | 39.80      | 31.75    | 3.05                | 14.10              | 36.47      | 34.93       |                 |
| 24         | 1.730  | 0.080              | 1.692      | 1.375    | 0.147               | 0.590              | 1.561      | 1.500       | 1.7/16 - 18 NEF |
|            | 43.94  | 2.03               | 42.98      | 34.93    | 3.73                | 14.99              | 39.65      | 38.1        |                 |

# Box Mounting Receptacles



**62GB-10E**  
**MIL-C-26482 MS3110E**

4-hole flange mounting with grommet and grommet nut

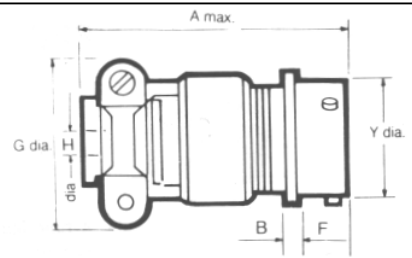
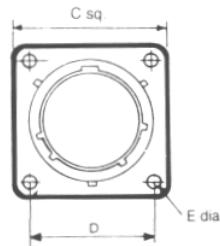


| Shell Size | A max | B ± 0.005 (± 0.13) | C max sq. | D TP Sq. | E ± 0.010 (± 0.254) | F ± 0.005 (± 0.13) | G dia max | V dia. max |
|------------|-------|--------------------|-----------|----------|---------------------|--------------------|-----------|------------|
| 08         | 1.281 | 0.062              | 0.817     | 0.594    | 0.120               | 0.445              | 0.561     | 0.473      |
|            | 32.54 | 1.58               | 20.75     | 15.09    | 3.05                | 11.3               | 14.25     | 12.02      |
| 10         | 1.281 | 0.062              | 0.942     | 0.719    | 0.120               | 0.445              | 0.686     | 0.590      |
|            | 32.54 | 1.58               | 23.93     | 18.26    | 3.05                | 11.3               | 17.43     | 14.99      |
| 12         | 1.281 | 0.062              | 1.036     | 0.812    | 0.120               | 0.445              | 0.811     | 0.750      |
|            | 32.54 | 1.58               | 26.32     | 20.63    | 3.05                | 11.3               | 20.60     | 19.05      |
| 14         | 1.281 | 0.062              | 1.130     | 0.906    | 0.120               | 0.445              | 0.936     | 0.875      |
|            | 32.54 | 1.58               | 28.70     | 23.10    | 3.05                | 11.3               | 23.78     | 22.23      |
| 16         | 1.281 | 0.062              | 1.223     | 0.969    | 0.120               | 0.445              | 1.061     | 1.000      |
|            | 32.54 | 1.58               | 31.07     | 24.61    | 3.05                | 11.3               | 26.98     | 25.4       |
| 18         | 1.281 | 0.062              | 1.317     | 1.062    | 0.120               | 0.445              | 1.186     | 1.125      |
|            | 32.54 | 1.58               | 33.45     | 26.58    | 3.05                | 11.3               | 30.12     | 28.58      |
| 20         | 1.383 | 0.080              | 1.442     | 1.156    | 0.120               | 0.555              | 1.311     | 1.250      |
|            | 35.13 | 2.03               | 36.63     | 29.36    | 3.05                | 14.10              | 33.30     | 31.75      |
| 22         | 1.383 | 0.080              | 1.567     | 1.250    | 0.120               | 0.555              | 1.436     | 1.375      |
|            | 35.13 | 2.03               | 39.80     | 31.75    | 3.05                | 14.10              | 36.47     | 34.93      |
| 24         | 1.383 | 0.080              | 1.692     | 1.375    | 0.147               | 0.590              | 1.561     | 1.500      |
|            | 35.13 | 2.03               | 42.98     | 34.93    | 3.74                | 14.99              | 39.65     | 38.1       |



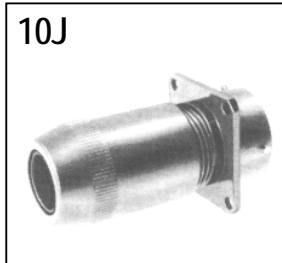
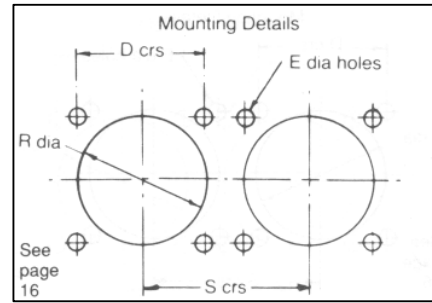
**62GB-10F**  
**MIL-C-26482 MS31 10F**

4-hole flange mounting with grommet and grommet nut fitted with integral strain relief clamp



| Shell Size | A max. | B ± 0.005 (± 0.13) | C max. sq. | D TP Sq. | E ± 0.010 (± 0.254) | F ± 0.005 (± 0.13) | G dia max. | H ± 0.005 (± 0.13) | Y dia. max. |
|------------|--------|--------------------|------------|----------|---------------------|--------------------|------------|--------------------|-------------|
| 08         | 1.762  | 0.062              | 0.817      | 0.594    | 0.120               | 0.445              | 0.828      | 0.156              | 0.473       |
|            | 44.76  | 1.58               | 20.75      | 15.09    | 3.05                | 11.3               | 21.03      | 3.96               | 12.01       |
| 10         | 1.762  | 0.062              | 0.942      | 0.719    | 0.120               | 0.445              | 0.891      | 0.188              | 0.590       |
|            | 44.76  | 1.58               | 23.92      | 18.26    | 3.05                | 11.3               | 22.63      | 4.78               | 14.99       |
| 12         | 1.762  | 0.062              | 1.036      | 0.812    | 0.120               | 0.445              | 1.016      | 0.312              | 0.750       |
|            | 44.76  | 1.58               | 26.31      | 20.63    | 3.05                | 11.3               | 25.81      | 7.93               | 19.05       |
| 14         | 1.736  | 0.062              | 1.130      | 0.906    | 0.120               | 0.445              | 1.141      | 0.375              | 0.875       |
|            | 44.10  | 1.58               | 28.70      | 23.10    | 3.05                | 11.3               | 28.98      | 9.58               | 22.23       |
| 16         | 1.876  | 0.062              | 1.223      | 0.969    | 0.120               | 0.445              | 1.203      | 0.500              | 1.000       |
|            | 47.65  | 1.57               | 31.07      | 24.61    | 3.05                | 11.3               | 30.56      | 12.7               | 25.4        |
| 18         | 1.876  | 0.062              | 1.317      | 1.062    | 0.120               | 0.445              | 1.426      | 0.625              | 1.125       |
|            | 47.65  | 1.58               | 33.45      | 26.58    | 3.05                | 11.3               | 36.22      | 15.87              | 28.58       |
| 20         | 2.118  | 0.080              | 1.442      | 1.156    | 0.120               | 0.555              | 1.426      | 0.625              | 1.250       |
|            | 53.80  | 2.03               | 36.63      | 29.36    | 3.05                | 14.10              | 36.22      | 15.88              | 31.75       |
| 22         | 2.118  | 0.080              | 1.567      | 1.250    | 0.120               | 0.555              | 1.567      | 0.750              | 1.375       |
|            | 53.80  | 2.03               | 39.80      | 31.75    | 3.05                | 14.10              | 39.80      | 19.05              | 34.93       |
| 24         | 2.250  | 0.080              | 1.692      | 1.375    | 1.147               | 0.590              | 1.735      | 0.800              | 1.500       |
|            | 57.15  | 2.03               | 42.98      | 34.93    | 3.74                | 14.99              | 44.07      | 20.32              | 38.10       |

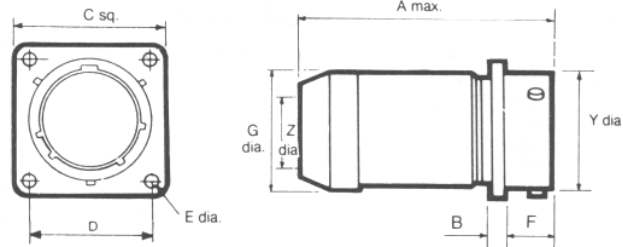
# Box Mounting Receptacles



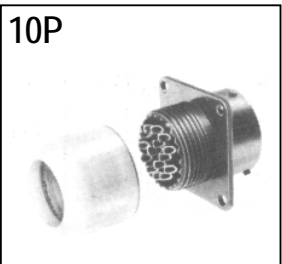
10J

62GB-10J

4-hole flange mounting with clamp for unscreened jacketed cable. No grommet supplied



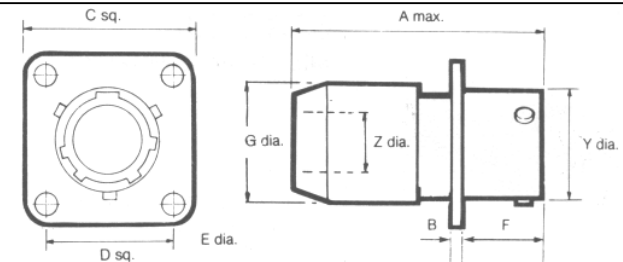
| Shell Size | A max | B ± 0.005 (± 0.13) | c max.sq | D TP sq | E ± 0.010 (± 0.254) | F ± 0.005 (± 0.13) | G dia. max. | Z Cable Entry |            |          |
|------------|-------|--------------------|----------|---------|---------------------|--------------------|-------------|---------------|------------|----------|
|            |       |                    |          |         |                     |                    |             | Y dia max     | min closed | max free |
| 08         | 1.846 | 0.062              | 0.817    | 0.594   | 0.120               | 0.445              | 0.561       | 0.473         | 0.168      | 0.230    |
|            | 46.89 | 1.58               | 20.75    | 15.09   | 3.05                | 11.3               | 14.25       | 12.02         | 4.28       | 5.84     |
| 10         | 1.846 | 0.062              | 0.942    | 0.719   | 0.120               | 0.445              | 0.686       | 0.590         | 0.205      | 0.312    |
|            | 46.89 | 1.58               | 23.93    | 18.26   | 3.05                | 11.3               | 17.43       | 14.99         | 5.21       | 7.93     |
| 12         | 1.947 | 0.062              | 1.036    | 0.812   | 0.120               | 0.445              | 0.811       | 0.750         | 0.338      | 0.442    |
|            | 49.45 | 1.58               | 26.32    | 20.63   | 3.05                | 11.3               | 20.60       | 19.05         | 8.59       | 11.23    |
| 14         | 2.147 | 0.062              | 1.130    | 0.906   | 0.120               | 0.445              | 0.936       | 0.875         | 0.416      | 0.539    |
|            | 54.54 | 1.58               | 28.70    | 23.10   | 3.05                | 11.3               | 23.78       | 22.23         | 10.57      | 13.69    |
| 16         | 2.347 | 0.062              | 1.223    | 0.969   | 0.120               | 0.445              | 1.061       | 1.000         | 0.550      | 0.616    |
|            | 59.61 | 1.575              | 31.07    | 24.61   | 3.05                | 11.3               | 26.96       | 25.4          | 13.97      | 15.65    |
| 18         | 2.547 | 0.062              | 1.317    | 1.062   | 0.120               | 0.445              | 1.186       | 1.125         | 0.600      | 0.672    |
|            | 64.70 | 1.575              | 33.45    | 26.58   | 3.05                | 11.3               | 30.12       | 28.58         | 15.24      | 17.07    |
| 20         | 2.831 | 0.080              | 1.442    | 1.156   | 0.120               | 0.555              | 1.311       | 1.250         | 0.635      | 0.747    |
|            | 71.91 | 2.03               | 36.63    | 29.36   | 3.05                | 14.10              | 33.30       | 31.75         | 16.13      | 18.98    |
| 22         | 3.031 | 0.080              | 1.567    | 1.250   | 0.120               | 0.555              | 1.436       | 1.375         | 0.670      | 0.846    |
|            | 76.99 | 2.03               | 39.80    | 31.75   | 3.05                | 14.10              | 36.47       | 34.93         | 17.02      | 21.49    |
| 24         | 3.074 | 0.080              | 1.692    | 1.375   | 0.147               | 0.590              | 1.561       | 1.500         | 0.740      | 0.894    |
|            | 78.08 | 2.03               | 42.98    | 34.93   | 3.73                | 14.99              | 39.65       | 38.1          | 18.80      | 22.71    |



10P

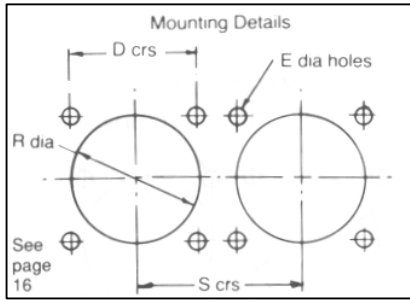
62GB-10P

4-hole flange mounting for potting

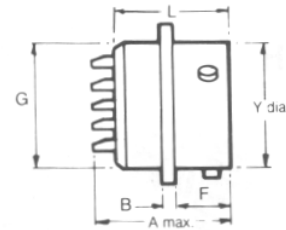
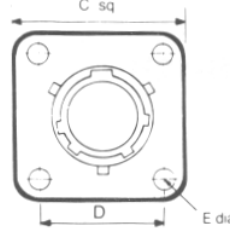


| Shell Size | A max | B ± 0.005 (± 0.13) | c max.sq. | D TP sq | E ± 0.010 (± 0.254) | F ± 0.005 (± 0.13) | G dia. max. | Y dia. max | Z dia. min |
|------------|-------|--------------------|-----------|---------|---------------------|--------------------|-------------|------------|------------|
|            |       |                    |           |         |                     |                    |             |            |            |
| 08         | 1.453 | 0.062              | 0.817     | 0.594   | 0.120               | 0.445              | 0.572       | 0.473      | 0.260      |
|            | 36.91 | 1.575              | 20.75     | 15.09   | 3.05                | 11.3               | 14.53       | 12.02      | 6.60       |
| 10         | 1.453 | 0.062              | 0.942     | 0.179   | 0.120               | 0.445              | 0.666       | 0.590      | 0.463      |
|            | 36.91 | 1.58               | 23.93     | 18.26   | 3.05                | 11.3               | 16.92       | 14.99      | 11.76      |
| 12         | 1.453 | 0.062              | 1.036     | 0.812   | 0.120               | 0.445              | 0.822       | 0.750      | 0.577      |
|            | 36.91 | 1.58               | 26.32     | 20.63   | 3.05                | 11.3               | 20.88       | 19.05      | 14.15      |
| 14         | 1.453 | 0.062              | 1.130     | 0.906   | 0.120               | 0.445              | 0.907       | 0.875      | 0.590      |
|            | 36.91 | 1.58               | 28.70     | 23.10   | 3.05                | 11.3               | 23.04       | 22.23      | 14.99      |
| 16         | 1.453 | 0.062              | 1.223     | 0.969   | 0.120               | 0.445              | 1.040       | 1.000      | 0.713      |
|            | 36.91 | 1.58               | 31.07     | 24.61   | 3.05                | 11.3               | 26.42       | 25.40      | 18.11      |
| 18         | 1.453 | 0.062              | 1.317     | 1.062   | 0.120               | 0.445              | 1.165       | 1.125      | 0.835      |
|            | 36.91 | 1.58               | 33.45     | 26.58   | 3.05                | 11.3               | 29.60       | 28.58      | 22.21      |
| 20         | 1.672 | 0.080              | 1.442     | 1.156   | 0.120               | 0.555              | 1.285       | 1.250      | 1.015      |
|            | 42.47 | 2.03               | 36.63     | 29.36   | 3.05                | 14.10              | 32.64       | 31.75      | 25.78      |
| 22         | 1.672 | 0.080              | 1.567     | 1.250   | 0.120               | 0.555              | 1.400       | 1.375      | 1.015      |
|            | 42.47 | 2.03               | 39.80     | 31.75   | 3.05                | 14.10              | 35.56       | 34.93      | 25.78      |
| 24         | 1.734 | 0.080              | 0.692     | 1.375   | 0.147               | 0.590              | 1.540       | 1.500      | 1.265      |
|            | 44.05 | 2.03               | 42.98     | 34.93   | 3.74                | 14.99              | 39.12       | 38.10      | 32.13      |

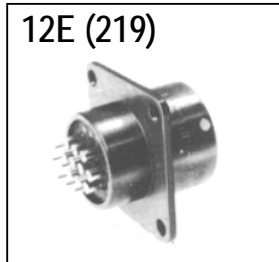
# Box Mounting Receptacles



**62GB-12E**  
**BS9522 - F0017 - C2097**  
**MIL-C-26482 MS3112E**

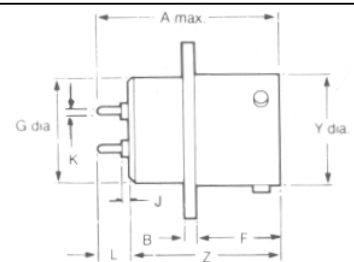
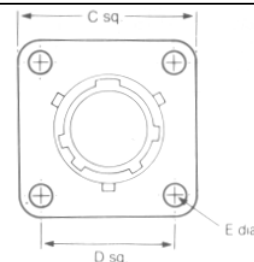


| Shell Size | A max | 8<br>± 0.005<br>(± 0.13) | C max sq. | D TP sq. | E ± 0.010<br>(± 0.254) | F ± 0.005<br>(± 0.13) | G dia. max. | L     | V dia. max. |
|------------|-------|--------------------------|-----------|----------|------------------------|-----------------------|-------------|-------|-------------|
| 08         | 0.978 | 0.062                    | 0.817     | 0.594    | 0.120                  | 0.445                 | 0.434       | 0.800 | 0.473       |
|            | 24.84 | 1.58                     | 20.75     | 15.09    | 3.05                   | 11.3                  | 11.02       | 20.32 | 12.02       |
| 10         | 0.978 | 0.062                    | 0.942     | 0.719    | 0.120                  | 0.445                 | 0.558       | 0.800 | 0.590       |
|            | 24.84 | 1.58                     | 23.93     | 18.26    | 3.05                   | 11.3                  | 14.17       | 20.32 | 14.99       |
| 12         | 0.978 | 0.062                    | 1.036     | 0.812    | 0.120                  | 0.445                 | 0.683       | 0.800 | 0.750       |
|            | 24.84 | 1.58                     | 26.32     | 20.63    | 3.05                   | 11.3                  | 17.35       | 20.32 | 19.05       |
| 14         | 0.978 | 0.062                    | 1.130     | 0.906    | 0.120                  | 0.445                 | 0.808       | 0.800 | 0.875       |
|            | 24.84 | 1.58                     | 28.70     | 23.10    | 3.05                   | 11.3                  | 20.52       | 20.32 | 22.23       |
| 16         | 0.978 | 0.062                    | 1.223     | 0.969    | 0.120                  | 0.445                 | 0.933       | 0.800 | 1.000       |
|            | 24.84 | 1.58                     | 31.07     | 24.61    | 3.05                   | 11.3                  | 23.70       | 20.32 | 25.4        |
| 18         | 0.978 | 0.062                    | 1.317     | 1.062    | 0.120                  | 0.445                 | 1.057       | 0.800 | 1.125       |
|            | 24.84 | 1.58                     | 33.45     | 26.58    | 3.05                   | 11.3                  | 26.85       | 20.32 | 28.58       |
| 20         | 1.048 | 0.080                    | 1.442     | 1.156    | 0.120                  | 0.555                 | 1.182       | 0.875 | 1.250       |
|            | 26.62 | 2.03                     | 36.63     | 29.36    | 3.05                   | 14.10                 | 30.02       | 22.23 | 31.75       |
| 22         | 1.048 | 0.080                    | 1.567     | 1.250    | 0.120                  | 0.555                 | 1.307       | 0.875 | 1.375       |
|            | 26.62 | 2.03                     | 39.80     | 31.75    | 3.05                   | 14.10                 | 33.20       | 22.23 | 34.93       |
| 24         | 1.048 | 0.080                    | 1.692     | 1.375    | 0.147                  | 0.590                 | 1.432       | 0.875 | 1.500       |
|            | 26.62 | 2.03                     | 42.98     | 34.93    | 3.74                   | 14.99                 | 36.37       | 22.23 | 38.1        |



**62GB-12E (219)**  
**BS9522 - F0017 - C2262**

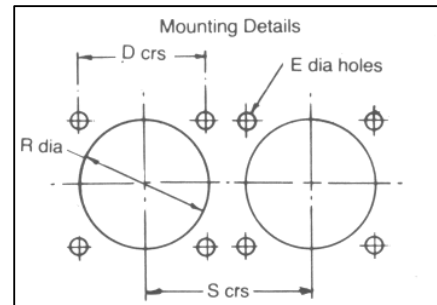
4-hole flange mounting with plain shell  
 with film wire terminations



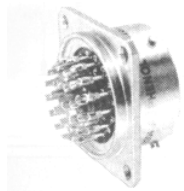
| Shell Size | A max | B ± 0.005<br>(± 0.13) | C max sq. | D TP sq. | E dia 0.010 | F ± 0.005<br>(± 0.13) | G dia. Max | J ± 0.020<br>(± 0.51) | K min max.  | L max min   | Y dia max. | Z     |
|------------|-------|-----------------------|-----------|----------|-------------|-----------------------|------------|-----------------------|-------------|-------------|------------|-------|
| 08         | 0.982 | 0.062                 | 0.817     | 0.594    | 0.120       | 0.445                 | 0.434      | 0.089                 | 0.030 0.028 | 0.198 0.166 | 0.473      | 0.800 |
|            | 24.95 | 1.58                  | 20.75     | 15.09    | 3.05        | 11.3                  | 11.02      | 2.26 0.76             | 0.70 0.70   | 5.03 4.22   | 12.02      | 20.32 |
| 10         | 0.982 | 0.062                 | 0.942     | 0.719    | 0.120       | 0.445                 | 0.558      | 0.089                 | 0.030 0.028 | 0.198 0.166 | 0.590      | 0.800 |
|            | 24.95 | 1.58                  | 23.93     | 18.26    | 3.05        | 11.3                  | 14.17      | 2.26 0.76             | 0.70 0.70   | 5.03 4.22   | 14.99      | 20.32 |
| 12         | 0.982 | 0.062                 | 1.036     | 0.812    | 0.120       | 0.445                 | 0.683      | 0.089                 | 0.030 0.028 | 0.198 0.166 | 0.750      | 0.800 |
|            | 24.95 | 1.58                  | 26.32     | 20.63    | 3.05        | 11.3                  | 17.35      | 2.26 0.76             | 0.70 0.70   | 5.03 4.22   | 19.05      | 20.32 |
| 14         | 0.982 | 0.062                 | 1.130     | 0.906    | 0.120       | 0.445                 | 0.808      | 0.089                 | 0.030 0.028 | 0.198 0.166 | 0.875      | 0.800 |
|            | 24.95 | 1.58                  | 28.70     | 23.10    | 3.05        | 11.3                  | 20.52      | 2.26 0.76             | 0.70 0.70   | 5.03 4.22   | 22.23      | 20.32 |
| 16         | 0.982 | 0.062                 | 1.223     | 0.969    | 0.120       | 0.445                 | 0.933      | 0.089                 | 0.030 0.028 | 0.198 0.166 | 1.000      | 0.800 |
|            | 24.95 | 1.58                  | 31.07     | 24.61    | 3.05        | 11.3                  | 23.70      | 2.26 0.76             | 0.70 0.70   | 5.03 4.22   | 25.4       | 20.32 |
| 18         | 0.982 | 0.062                 | 1.317     | 1.062    | 0.120       | 0.445                 | 1.057      | 0.089                 | 0.030 0.028 | 0.198 0.166 | 1.125      | 0.800 |
|            | 24.95 | 1.58                  | 33.45     | 26.58    | 3.05        | 11.3                  | 26.85      | 2.26 0.76             | 0.70 0.70   | 5.03 4.22   | 28.58      | 20.32 |
| 20         | 1.057 | 0.080                 | 1.442     | 1.156    | 0.120       | 0.555                 | 1.182      | 0.076                 | 0.030 0.028 | 0.185 0.153 | 1.250      | 0.875 |
|            | 26.85 | 2.03                  | 36.63     | 29.36    | 3.05        | 14.10                 | 30.02      | 1.93 0.76             | 0.70 0.70   | 4.70 3.89   | 31.75      | 22.23 |
| 22         | 1.057 | 0.080                 | 1.567     | 1.250    | 0.120       | 0.555                 | 1.307      | 0.076                 | 0.030 0.028 | 0.185 0.153 | 1.375      | 0.875 |
|            | 26.85 | 2.03                  | 39.80     | 31.75    | 3.05        | 14.10                 | 33.20      | 1.93 0.76             | 0.70 0.70   | 4.70 3.89   | 34.93      | 22.23 |
| 24         | 1.057 | 0.080                 | 1.692     | 1.375    | 0.147       | 0.590                 | 1.432      | 0.076                 | 0.030 0.028 | 0.185 0.153 | 1.500      | 0.875 |
|            | 26.85 | 2.03                  | 42.98     | 34.93    | 3.74        | 14.99                 | 36.37      | 1.93 0.76             | 0.70 0.70   | 4.70 3.89   | 38.1       | 22.23 |



# Box Mounting Receptacles Hermetic Seal

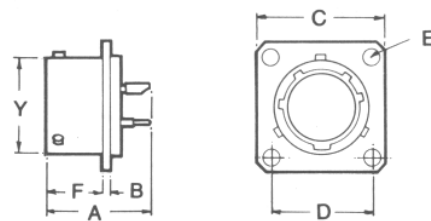


12H



62GB-12H

4-hole square mounting with exposed solder buckets or flattened and pierced pins.

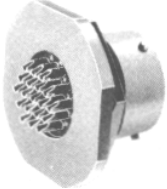
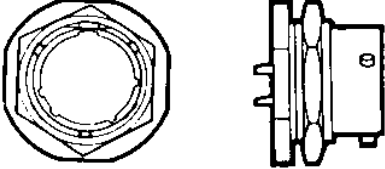
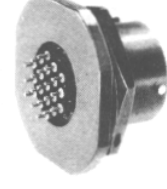
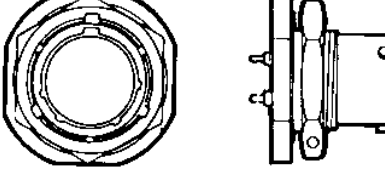

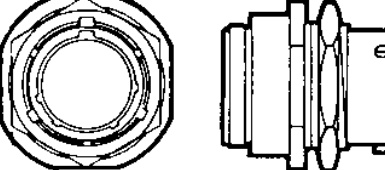
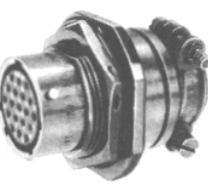
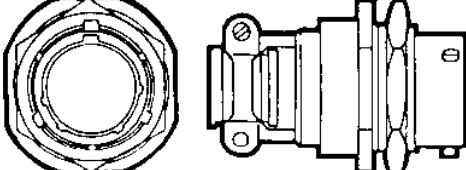
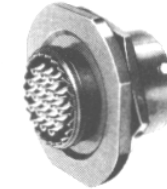
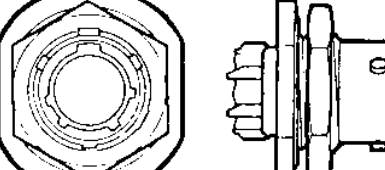
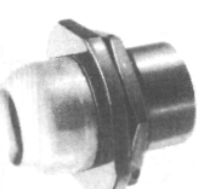


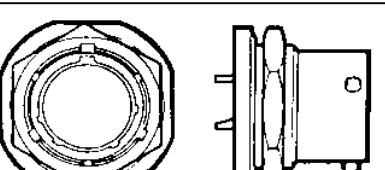


| Shell Size | A max | B $\pm 0.005$ ( $\pm 0.13$ ) | C max sq. | D     | E 0.008 ( $\pm 0.203$ ) ( $\pm 0.051$ ) .002 | F $\pm 0.005$ ( $\pm 0.13$ ) | R $\pm 0.005$ ( $\pm 0.13$ ) | S     | Y     |
|------------|-------|------------------------------|-----------|-------|--|------------------------------|------------------------------|-------|-------|
| 08         | 0.828 | 0.062                        | 0.812     | 0.594 | 0.120  | 0.443                        | 0.568                        | 1.250 | 0.473 |
|            | 21.03 | 1.57                         | 20.61     | 15.08 | 3.05   | 11.25                        | 14.42                        | 31.73 | 12.01 |
| 10         | 0.828 | 0.062                        | 0.937     | 0.719 | 0.120  | 0.443                        | 0.695                        | 1.359 | 14.99 |
|            | 21.03 | 1.57                         | 23.79     | 18.29 | 3.05   | 11.25                        | 17.53                        | 34.52 | 14.99 |
| 12         | 0.828 | 0.062                        | 1.031     | 0.812 | 0.120  | 0.443                        | 0.864                        | 1.531 | 0.750 |
|            | 21.03 | 1.57                         | 26.17     | 20.57 | 3.05   | 11.25                        | 21.84                        | 38.89 | 19.05 |
| 14         | 0.828 | 0.062                        | 1.125     | 0.906 | 0.120  | 0.443                        | 0.989                        | 1.656 | 0.875 |
|            | 21.03 | 1.57                         | 28.57     | 23.11 | 3.05   | 11.25                        | 25.15                        | 42.06 | 22.23 |
| 16         | 0.828 | 0.062                        | 1.218     | 0.969 | 0.120  | 0.443                        | 1.113                        | 1.781 | 1.000 |
|            | 21.03 | 1.57                         | 30.93     | 24.64 | 3.05   | 11.25                        | 28.19                        | 45.24 | 25.40 |
| 18         | 0.828 | 0.062                        | 1.312     | 1.062 | 0.120  | 0.443                        | 1.238                        | 1.891 | 1.125 |
|            | 21.03 | 1.57                         | 33.32     | 26.92 | 3.05   | 11.25                        | 31.49                        | 48.03 | 28.58 |
| 20         | 0.890 | 0.093                        | 1.437     | 1.156 | 0.120  | 0.561                        | 1.363                        | 2.031 | 1.250 |
|            | 22.60 | 2.36                         | 36.49     | 29.46 | 3.05   | 14.24                        | 34.54                        | 51.59 | 30.75 |
| 22         | 0.890 | 0.093                        | 1.562     | 1.250 | 1.120  | 0.561                        | 1.488                        | 2.156 | 1.375 |
|            | 22.60 | 2.36                         | 39.67     | 31.75 | 3.05   | 14.24                        | 37.85                        | 54.76 | 34.93 |
| 24         | 0.890 | 0.093                        | 1.687     | 1.375 | 0.147  | 0.593                        | 1.615                        | 2.277 | 1.500 |
|            | 22.60 | 2.36                         | 42.84     | 35.05 | 3.81   | 15.06                        | 41.15                        | 57.84 | 38.10 |

# Single Hole Fixing Receptacles

## Table of Styles

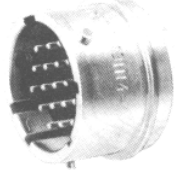
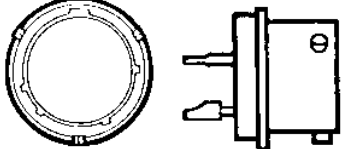
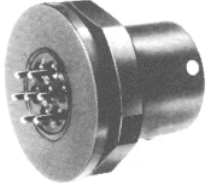
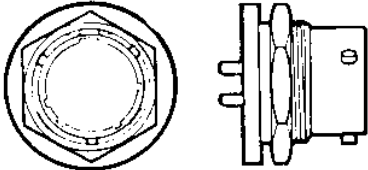
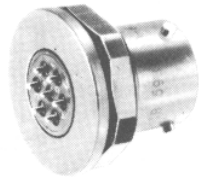
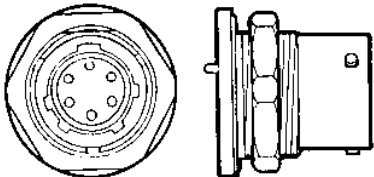

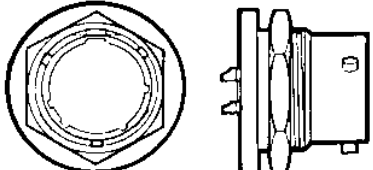
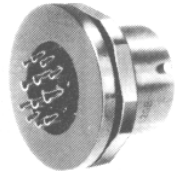
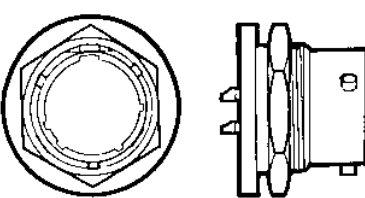
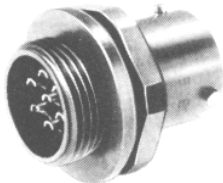
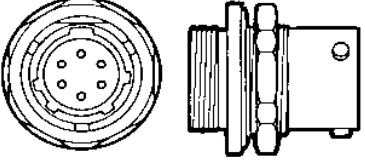
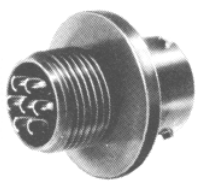
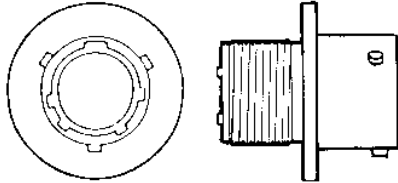
Page No.

|                           |   |  |    |
|---------------------------|---|--|----|
| 62GB-57A                  |    |    | 23 |
| 62GB-57A (219)            |    |    | 23 |
| 62GB-14E                  |   |   | 24 |
| 62GB-14F                  |  |  | 24 |
| 62GB-57T                  |  |  | 25 |
| 62GB-17P                  |  |  | 25 |
| 62GB-17H<br>Hermetic Seal |  |  | 26 |

# Single Hole Fixing Receptacles

## Table of Styles

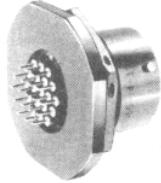
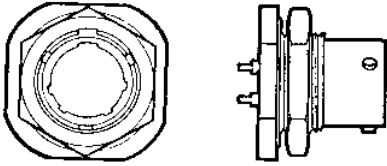
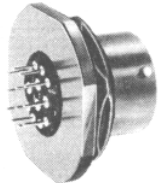
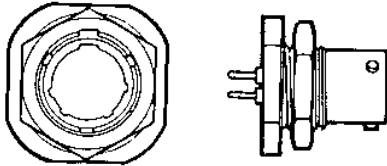
Page No.

|                                   |   |  |           |
|-----------------------------------|---|--|-----------|
| <p>62GB-13H<br/>Hermetic Seal</p> |    |    | <p>26</p> |
| <p>62GB-5005-10</p>               |    |    | <p>27</p> |
| <p>62GB-5036-10</p>               |   |   | <p>27</p> |
| <p>62GB-5016-10</p>               |  |  | <p>28</p> |
| <p>62GB-5024</p>                  |  |  | <p>28</p> |
| <p>62GB-5052</p>                  |  |  | <p>29</p> |
| <p>62GB-5030</p>                  |  |  | <p>29</p> |

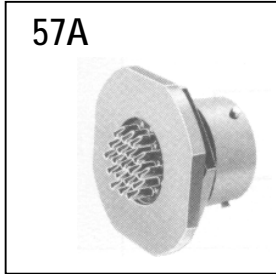
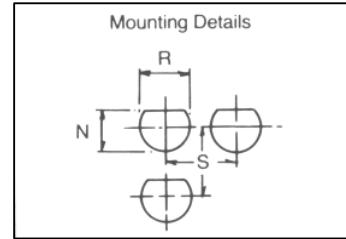
# Single Hole Fixing Receptacles

## Table of Styles

Page No.

|           |  |   |    |
|-----------|--|---|----|
| 62GB-5065 |   |   | 30 |
| 62GB-5067 |  |  | 30 |

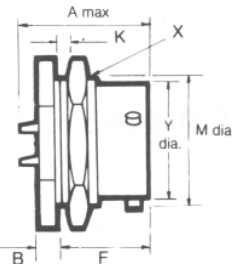
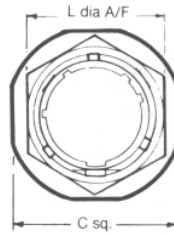
# Single Hole Fixing Receptacles



57A

**62GB-57A**  
**BS9522 - F0017 - C2099**

Single hole mounting with plain shell for direct wiring to exposed solder buckets. Has panel 'O' ring seal.



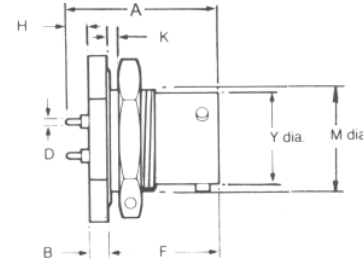
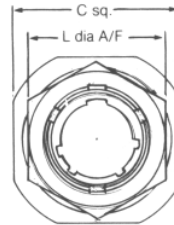
| Shell Size | A max | B ± 0.005 (±0.13) | C sq. | F ± 0.005 (±0.13) |       | K     |       | L     | M              |                 | N ± 0.005 (±0.13) |                 | R ± 0.005 (±0.13) |       | s min          | Y | X Thread |
|------------|-------|-------------------|-------|-------------------|-------|-------|-------|-------|----------------|-----------------|-------------------|-----------------|-------------------|-------|----------------|---|----------|
|            |       |                   |       | min               | max   | min   | max   |       | -0.005 (-0.13) | ± 0.005 (±0.13) | ± 0.005 (±0.13)   | ± 0.005 (±0.13) |                   |       |                |   |          |
| 08         | 0.978 | 0.117             | 0.942 | 0.706             | 0.062 | 0.125 | 0.750 | 0.527 | 0.540          | 0.572           | 1.250             | 0.473           | 0.473             | 0.473 | 9/16 - 24 NEF  |   |          |
|            | 24.84 | 2.97              | 23.93 | 17.93             | 1.58  | 3.18  | 19.05 | 13.3  | 13.72          | 14.53           | 31.75             | 12.03           | 12.03             | 12.03 |                |   |          |
| 10         | 0.978 | 0.117             | 1.067 | 0.706             | 0.062 | 0.125 | 0.875 | 0.652 | 0.665          | 0.697           | 1.359             | 0.590           | 0.590             | 0.590 | 11/16 - 24 NEF |   |          |
|            | 24.84 | 2.97              | 27.10 | 17.93             | 1.58  | 3.18  | 22.23 | 16.56 | 16.89          | 17.70           | 34.52             | 14.99           | 14.99             | 14.99 |                |   |          |
| 12         | 0.978 | 0.117             | 1.255 | 0.706             | 0.062 | 0.125 | 1.062 | 0.815 | 0.828          | 0.885           | 1.531             | 0.750           | 0.750             | 0.750 | 7/8 - 20 UNEF  |   |          |
|            | 24.84 | 2.97              | 31.88 | 17.93             | 1.58  | 3.18  | 26.98 | 20.70 | 21.03          | 22.48           | 38.89             | 19.05           | 19.05             | 19.05 |                |   |          |
| 14         | 0.978 | 0.117             | 1.380 | 0.706             | 0.062 | 0.125 | 1.187 | 0.939 | 0.952          | 1.010           | 1.656             | 0.875           | 0.875             | 0.875 | 1 - 20 UNEF    |   |          |
|            | 24.84 | 2.97              | 35.05 | 17.93             | 1.58  | 3.18  | 30.15 | 23.85 | 24.18          | 25.65           | 42.06             | 22.23           | 22.23             | 22.23 |                |   |          |
| 16         | 0.978 | 0.117             | 1.505 | 0.706             | 0.062 | 0.125 | 1.312 | 1.063 | 1.076          | 1.135           | 1.781             | 1.000           | 1.000             | 1.000 | 1.1/8 - 18 NEF |   |          |
|            | 24.84 | 2.97              | 38.23 | 17.93             | 1.58  | 3.18  | 33.32 | 27.00 | 27.33          | 28.83           | 45.24             | 25.40           | 25.40             | 25.40 |                |   |          |
| 18         | 0.978 | 0.117             | 1.630 | 0.706             | 0.062 | 0.125 | 1.437 | 1.188 | 1.201          | 1.260           | 1.891             | 1.125           | 1.125             | 1.125 | 1.1/4 - 18 NEF |   |          |
|            | 24.84 | 2.97              | 41.40 | 17.93             | 1.58  | 3.18  | 36.50 | 30.18 | 30.50          | 32.00           | 48.03             | 28.58           | 28.58             | 28.58 |                |   |          |
| 20         | 1.048 | 0.148             | 1.817 | 0.894             | 0.062 | 0.250 | 1.562 | 1.313 | 1.326          | 1.385           | 2.031             | 1.250           | 1.250             | 1.250 | 1.3/8 - 18NEF  |   |          |
|            | 26.62 | 3.76              | 46.15 | 22.71             | 1.58  | 6.35  | 38.68 | 33.35 | 33.68          | 35.18           | 51.59             | 31.75           | 31.75             | 31.75 |                |   |          |
| 22         | 1.048 | 0.148             | 1.942 | 0.894             | 0.062 | 0.250 | 1.687 | 1.438 | 1.451          | 1.510           | 2.156             | 1.375           | 1.375             | 1.375 | 1.1/2 - 18 NEF |   |          |
|            | 26.62 | 3.76              | 49.33 | 22.71             | 1.58  | 6.35  | 42.85 | 36.53 | 36.86          | 38.35           | 54.76             | 34.93           | 34.93             | 34.93 |                |   |          |
| 24         | 1.048 | 0.148             | 2.067 | 0.927             | 0.062 | 0.250 | 1.812 | 1.563 | 1.576          | 1.635           | 2.277             | 1.500           | 1.500             | 1.500 | 1.5/8 - 18 NEF |   |          |
|            | 26.62 | 3.76              | 52.50 | 23.55             | 1.575 | 6.35  | 46.05 | 39.70 | 40.03          | 41.45           | 57.84             | 38.10           | 38.10             | 38.10 |                |   |          |



57A(219)

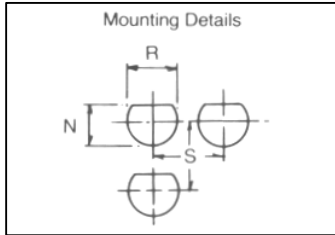
**62GB-57A (219)**  
**BS9522 - F0017- C2261**

Single hole mounting with plain shell and film wire terminations



| Shell Size | A m   | B ± 0.005 (±0.13) | C sq. max. | D     |       | F ± 0.005 (±0.13) |       | H     |       | K     | L     | M              |                 | N ± 0.005 (±0.13) |                 | R ± 0.005 (±0.13) |       | S min | Y              | X Thread |
|------------|-------|-------------------|------------|-------|-------|-------------------|-------|-------|-------|-------|-------|----------------|-----------------|-------------------|-----------------|-------------------|-------|-------|----------------|----------|
|            |       |                   |            | min   | max   | min               | max   | min   | max   |       |       | -0.005 (-0.13) | ± 0.005 (±0.13) | ± 0.005 (±0.13)   | ± 0.005 (±0.13) |                   |       |       |                |          |
| 08         | 0.976 | 0.117             | 0.942      | 0.030 | 0.028 | 0.706             | 0.173 | 0.133 | 0.062 | 0.125 | 0.750 | 0.527          | 0.540           | 0.572             | 1.250           | 0.473             | 0.473 | 0.473 | 9/16 - 24 NEF  |          |
|            | 24.79 | 2.97              | 23.93      | 0.76  | 0.71  | 17.93             | 4.40  | 3.38  | 1.58  | 3.18  | 19.05 | 13.3           | 13.72           | 14.53             | 31.75           | 12.03             | 12.03 | 12.03 |                |          |
| 10         | 0.976 | 0.117             | 1.067      | 0.030 | 0.028 | 0.706             | 0.173 | 0.133 | 0.062 | 0.125 | 0.875 | 0.652          | 0.665           | 0.697             | 1.359           | 0.590             | 0.590 | 0.590 | 11/16 - 24 NEF |          |
|            | 24.79 | 2.97              | 23.93      | 0.76  | 0.71  | 17.93             | 4.40  | 3.38  | 1.58  | 3.18  | 22.23 | 16.56          | 16.89           | 17.70             | 34.52           | 14.99             | 14.99 | 14.99 |                |          |
| 12         | 0.976 | 0.117             | 1.255      | 0.030 | 0.028 | 0.706             | 0.173 | 0.133 | 0.062 | 0.125 | 1.062 | 0.815          | 0.828           | 0.885             | 1.531           | 0.750             | 0.750 | 0.750 | 7/8 - 20 UNEF  |          |
|            | 24.79 | 2.97              | 31.88      | 0.76  | 0.71  | 17.93             | 4.40  | 3.38  | 1.58  | 3.18  | 26.98 | 20.70          | 21.03           | 22.48             | 38.89           | 19.05             | 19.05 | 19.05 |                |          |
| 14         | 0.976 | 0.117             | 1.380      | 0.030 | 0.028 | 0.706             | 0.173 | 0.133 | 0.062 | 0.125 | 1.187 | 0.939          | 0.952           | 1.010             | 1.656           | 0.875             | 0.875 | 0.875 | 1 - 20 UNEF    |          |
|            | 24.79 | 2.97              | 35.05      | 0.76  | 0.71  | 17.93             | 4.40  | 3.38  | 1.58  | 3.18  | 30.15 | 23.85          | 24.18           | 25.65             | 42.06           | 22.26             | 22.26 | 22.26 |                |          |
| 16         | 0.976 | 0.117             | 1.505      | 0.030 | 0.028 | 0.706             | 0.173 | 0.133 | 0.062 | 0.125 | 1.312 | 1.063          | 1.076           | 1.135             | 1.781           | 1.000             | 1.000 | 1.000 | 1.1/8 - 18 NEF |          |
|            | 24.79 | 2.97              | 38.23      | 0.76  | 0.71  | 17.93             | 4.40  | 3.38  | 1.58  | 3.18  | 33.32 | 27.00          | 27.33           | 28.83             | 45.24           | 25.40             | 25.40 | 25.40 |                |          |
| 18         | 0.976 | 0.117             | 1.630      | 0.030 | 0.028 | 0.706             | 0.173 | 0.133 | 0.062 | 0.125 | 1.437 | 1.188          | 1.201           | 1.260             | 1.891           | 1.125             | 1.125 | 1.125 | 1.1/4 - 18 NEF |          |
|            | 24.79 | 2.97              | 41.40      | 0.76  | 0.71  | 17.93             | 4.40  | 3.38  | 1.58  | 3.18  | 36.50 | 30.18          | 30.50           | 32.00             | 48.03           | 28.58             | 28.58 | 28.58 |                |          |
| 20         | 1.195 | 0.148             | 1.817      | 0.030 | 0.028 | 0.894             | 0.173 | 0.133 | 0.062 | 0.250 | 1.562 | 1.313          | 1.326           | 1.385             | 2.031           | 1.250             | 1.250 | 1.250 | 1.3/8 - 18 NEF |          |
|            | 30.35 | 3.76              | 46.15      | 0.76  | 0.71  | 22.71             | 4.40  | 3.38  | 1.58  | 6.35  | 38.68 | 33.35          | 33.68           | 35.18             | 51.59           | 31.75             | 31.75 | 31.75 |                |          |
| 22         | 1.195 | 0.148             | 1.942      | 0.030 | 0.028 | 0.894             | 0.173 | 0.133 | 0.062 | 0.250 | 1.687 | 1.438          | 1.451           | 1.510             | 2.156           | 1.375             | 1.375 | 1.375 | 1.1/2 - 18NEF  |          |
|            | 30.35 | 3.76              | 49.33      | 0.76  | 0.71  | 22.71             | 4.40  | 3.38  | 1.58  | 6.35  | 42.85 | 36.53          | 36.86           | 38.35             | 54.76           | 34.93             | 34.93 | 34.93 |                |          |
| 24         | 1.228 | 0.148             | 2.067      | 0.030 | 0.028 | 0.927             | 0.173 | 0.133 | 0.062 | 0.250 | 1.812 | 1.563          | 1.576           | 1.635             | 2.277           | 1.500             | 1.500 | 1.500 | 1.5/8 - 18 NEF |          |
|            | 30.35 | 3.76              | 52.50      | 0.76  | 0.71  | 23.55             | 4.40  | 3.38  | 1.58  | 6.35  | 46.05 | 39.70          | 40.03           | 41.45             | 57.84           | 38.10             | 38.10 | 38.10 |                |          |

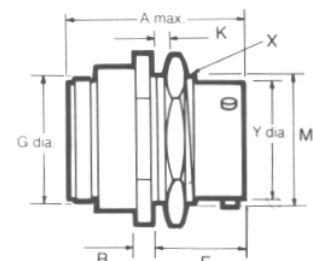
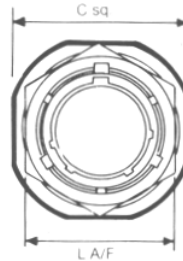
# Single Hole Fixing Receptacles



14E

**62GB-14E**  
**MIL-C-26482 MS3114E**  
**BS9522 - F0017**  
**- C2098**

Single hole mounting with grommet and grommet nut.  
 Has panel 'O' ring seal



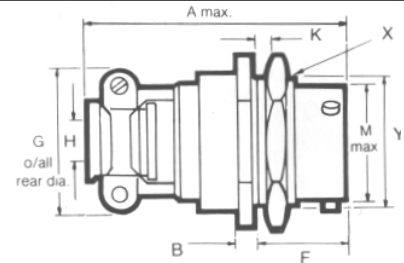
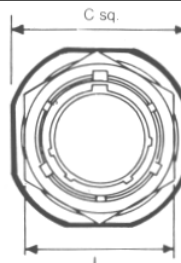
| Shell Size | A max | B ±0.005 (±0.13) | C max sq. | F ±0.005 (±0.13) | G Dia Max | min   | K max | L     | M -0.005 (-0.13) | N ±0.005 (±0.13) | R ±0.005 (±0.13) | S     | Y     | X Thread       |
|------------|-------|------------------|-----------|------------------|-----------|-------|-------|-------|------------------|------------------|------------------|-------|-------|----------------|
| 08         | 1.344 | 0.117            | 0.942     | 0.706            | 0.713     | 0.062 | 0.125 | 0.750 | 0.527            | 0.540            | 0.572            | 1.250 | 0.473 | 9/16-24NEF     |
|            | 34.14 | 2.97             | 23.93     | 17.93            | 18.11     | 1.58  | 3.18  | 19.05 | 13.3             | 13.72            | 14.53            | 31.75 | 12.03 |                |
| 10         | 1.344 | 0.117            | 1.067     | 0.706            | 0.838     | 0.062 | 0.125 | 0.875 | 0.652            | 0.665            | 0.697            | 1.359 | 0.590 | 11/16 -24 NEF  |
|            | 34.14 | 2.97             | 27.10     | 17.93            | 21.29     | 1.58  | 3.18  | 22.23 | 16.56            | 16.89            | 17.70            | 34.52 | 14.99 |                |
| 12         | 1.344 | 0.117            | 1.255     | 0.706            | 0.963     | 0.062 | 0.125 | 1.062 | 0.815            | 0.828            | 0.885            | 1.531 | 0.750 | 7/8 -20 UNEF   |
|            | 34.14 | 2.97             | 31.88     | 17.93            | 24.46     | 1.58  | 3.18  | 26.98 | 20.70            | 21.03            | 22.48            | 38.89 | 19.05 |                |
| 14         | 1.344 | 0.117            | 1.380     | 0.706            | 1.088     | 0.062 | 0.125 | 1.187 | 0.939            | 0.952            | 1.010            | 1.656 | 0.875 | 1 - 20 UNEF    |
|            | 34.14 | 2.97             | 35.05     | 17.93            | 27.63     | 1.58  | 3.18  | 30.15 | 23.85            | 24.18            | 25.65            | 42.06 | 22.23 |                |
| 16         | 1.344 | 0.117            | 1.505     | 0.706            | 1.213     | 0.062 | 0.125 | 1.312 | 1.063            | 1.076            | 1.135            | 1.781 | 1.000 | 1.1/8 -18NEF   |
|            | 34.14 | 2.97             | 38.23     | 17.93            | 30.81     | 1.58  | 3.18  | 33.32 | 27.00            | 27.33            | 28.83            | 45.24 | 25.40 |                |
| 18         | 1.344 | 0.117            | 1.630     | 0.706            | 1.338     | 0.062 | 0.125 | 1.437 | 1.188            | 1.201            | 1.260            | 1.891 | 1.125 | 1.1/4 -18 NEF  |
|            | 34.14 | 2.97             | 41.40     | 17.93            | 33.98     | 1.58  | 3.18  | 36.50 | 30.18            | 30.50            | 32.00            | 48.03 | 28.58 |                |
| 20         | 1.576 | 0.148            | 1.817     | 0.894            | 1.463     | 0.062 | 0.250 | 1.562 | 1.313            | 1.326            | 1.385            | 2.031 | 1.250 | 1.3/8 - 18 NEF |
|            | 40.03 | 3.76             | 46.15     | 22.71            | 37.16     | 1.58  | 6.35  | 38.68 | 33.35            | 33.68            | 35.18            | 51.59 | 31.75 |                |
| 22         | 1.576 | 0.148            | 1.942     | 0.894            | 1.588     | 0.062 | 0.250 | 1.687 | 1.438            | 1.451            | 1.510            | 2.156 | 1.375 | 1.1/2 - 18 NEF |
|            | 40.03 | 3.76             | 49.33     | 22.71            | 40.33     | 1.58  | 6.35  | 42.85 | 36.53            | 36.86            | 38.35            | 54.76 | 34.93 |                |
| 24         | 1.609 | 0.148            | 2.067     | 0.927            | 1.713     | 0.062 | 0.250 | 1.812 | 1.563            | 1.576            | 1.635            | 2.277 | 1.500 | 1.5/8 - 18 NEF |
|            | 40.87 | 3.76             | 52.50     | 23.55            | 43.51     | 1.58  | 6.35  | 46.05 | 39.70            | 40.03            | 41.45            | 57.84 | 38.10 |                |



14F

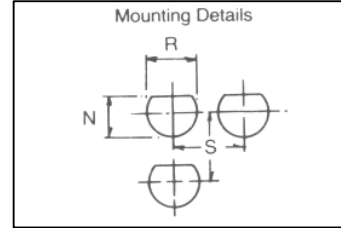
**62GB-14F**  
**MIL-C-26482 MS3114F**

Single hole mounting with grommet and grommet nut fitted with integral strain relief clamp.  
 Has panel 'O' ring seal



| Shell Size | A max | B ±0.005 (±0.13) | C max sq. | F ±0.005 (±0.13) | G dia. max. | H 0.005 (± 0.13) | min   | K max | L     | M -0.005 (-0.13) | N ±0.005 (±0.13) | R ±0.005 (±0.13) | S     | Y     | X Thread        |
|------------|-------|------------------|-----------|------------------|-------------|------------------|-------|-------|-------|------------------|------------------|------------------|-------|-------|-----------------|
| 08         | 1.762 | 0.117            | 0.942     | 0.706            | 0.828       | 0.156            | 0.062 | 0.125 | 0.750 | 0.527            | 0.540            | 0.572            | 1.250 | 0.473 | 9/16 -24 NEF    |
|            | 44.75 | 2.97             | 23.93     | 17.93            | 21.03       | 3.96             | 1.58  | 3.18  | 19.05 | 13.3             | 13.72            | 14.53            | 31.75 | 12.03 |                 |
| 10         | 1.762 | 0.117            | 1.067     | 0.706            | 0.891       | 0.188            | 0.062 | 0.125 | 0.875 | 0.652            | 0.665            | 0.697            | 1.359 | 0.590 | 11/16 - 124 NEF |
|            | 44.75 | 2.97             | 27.10     | 17.93            | 22.63       | 4.78             | 1.58  | 3.18  | 22.23 | 16.56            | 16.89            | 17.70            | 34.52 | 14.99 |                 |
| 12         | 1.762 | 0.117            | 1.255     | 0.706            | 1.016       | 0.312            | 0.062 | 0.125 | 1.062 | 0.815            | 0.828            | 0.885            | 1.531 | 0.750 | 7/8 - 20 UNEF   |
|            | 44.75 | 2.97             | 31.88     | 17.93            | 25.81       | 7.93             | 1.58  | 3.18  | 26.98 | 20.70            | 21.03            | 22.48            | 38.89 | 19.05 |                 |
| 14         | 1.736 | 0.117            | 1.380     | 0.706            | 1.147       | 0.375            | 0.062 | 0.125 | 1.187 | 0.939            | 0.952            | 1.010            | 1.656 | 0.875 | 1 - 20 NEF      |
|            | 44.10 | 2.97             | 35.05     | 17.93            | 28.97       | 9.53             | 1.58  | 3.18  | 30.15 | 23.85            | 24.18            | 25.65            | 42.06 | 22.23 |                 |
| 16         | 1.876 | 0.117            | 1.505     | 0.706            | 1.203       | 0.500            | 0.062 | 0.125 | 1.312 | 1.063            | 1.076            | 1.135            | 1.781 | 1.000 | 1.1/8 - 18 NEF  |
|            | 47.65 | 2.97             | 38.23     | 17.93            | 30.56       | 12.7             | 1.58  | 3.18  | 33.32 | 27.00            | 27.33            | 28.83            | 45.24 | 25.40 |                 |
| 18         | 1.876 | 0.117            | 1.630     | 0.706            | 1.426       | 0.625            | 0.062 | 0.125 | 1.437 | 1.188            | 1.201            | 1.260            | 1.891 | 1.125 | 1.1/4 - 18 NEF  |
|            | 47.65 | 2.97             | 41.40     | 17.93            | 36.22       | 15.88            | 1.58  | 3.18  | 36.50 | 30.18            | 30.50            | 32.00            | 48.03 | 28.58 |                 |
| 20         | 2.118 | 0.148            | 1.817     | 0.894            | 1.426       | 0.625            | 0.062 | 0.250 | 1.562 | 1.313            | 1.326            | 1.385            | 2.031 | 1.250 | 1.3/8 - 18 NEF  |
|            | 53.8  | 3.76             | 46.15     | 22.71            | 36.22       | 15.88            | 1.58  | 6.35  | 38.68 | 33.35            | 33.68            | 35.18            | 51.59 | 31.75 |                 |
| 22         | 2.118 | 0.148            | 1.942     | 0.894            | 1.567       | 0.750            | 0.062 | 0.250 | 1.687 | 1.438            | 1.451            | 1.510            | 2.156 | 1.375 | 1.1/2 -18 NEE   |
|            | 53.8  | 3.76             | 49.33     | 22.71            | 39.80       | 19.05            | 1.58  | 6.35  | 42.85 | 36.53            | 36.86            | 38.35            | 54.76 | 34.93 |                 |
| 24         | 2.250 | 0.148            | 2.067     | 0.927            | 1.735       | 0.800            | 0.062 | 0.250 | 1.812 | 1.563            | 1.576            | 1.635            | 2.277 | 1.500 | 1.5/8 - 18 NEF  |
|            | 57.15 | 3.76             | 52.50     | 23.55            | 44.07       | 20.32            | 1.58  | 6.35  | 46.05 | 39.70            | 40.03            | 41.45            | 57.84 | 38.10 |                 |

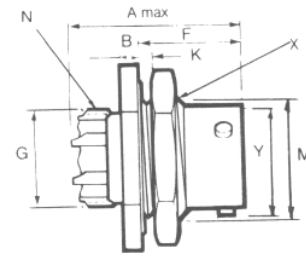
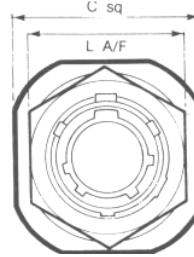
# Single Hole Fixing Receptacles



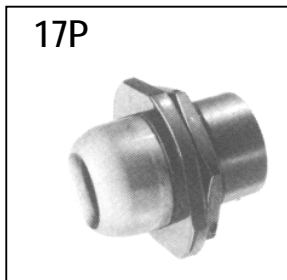
57T

**62G B-57T**  
**BS9522 - F0017 - C2100**

Single hole mounting with threaded shell to accept accessories



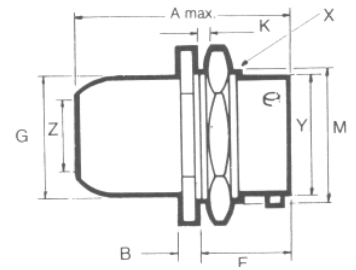
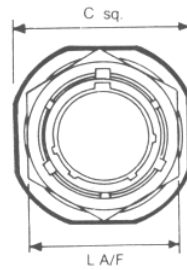
| Shell Size | A max | B ± 0.005 (± 0.13) | c max. sq. | F ± 0.005 (± 0.13) | G dia, max. | K min | K max | L     | M -0.005 (- 0.13) | N             | Y     | X Thread        |
|------------|-------|--------------------|------------|--------------------|-------------|-------|-------|-------|-------------------|---------------|-------|-----------------|
| 08         | 0.978 | 0.117              | 0.942      | 0.595              | 0.426       | 0.062 | 0.125 | 0.750 | 0.527             | 7/16 - UNEF   | 0.473 | 9/16 - 24 NEF   |
|            | 24.84 | 2.97               | 23.93      | 15.12              | 10.82       | 1.58  | 3.18  | 19.05 | 13.3              |               | 12.03 |                 |
| 10         | 0.978 | 0.117              | 1.067      | 0.595              | 0.552       | 0.062 | 0.125 | 0.875 | 0.652             | 9/16 - UNEF   | 0.590 | 11/16 - 24 NEF  |
|            | 24.84 | 2.97               | 27.10      | 15.12              | 14.02       | 1.58  | 3.18  | 22.23 | 16.56             |               | 14.99 |                 |
| 12         | 0.978 | 0.117              | 1.255      | 0.595              | 0.677       | 0.062 | 0.125 | 1.062 | 0.815             | 11/16 - UNEF  | 0.750 | 7/8 - 20 UNEF   |
|            | 24.84 | 2.97               | 31.88      | 15.12              | 17.20       | 1.58  | 3.18  | 26.98 | 20.70             |               | 19.05 |                 |
| 14         | 0.978 | 0.117              | 1.380      | 0.595              | 0.802       | 0.062 | 0.125 | 1.187 | 0.939             | 13/16 - UNEF  | 0.875 | 1 - 20 UNEF     |
|            | 24.84 | 2.97               | 35.05      | 15.12              | 20.37       | 1.58  | 3.18  | 30.15 | 23.85             |               | 22.23 |                 |
| 16         | 0.978 | 0.117              | 1.505      | 0.595              | 0.927       | 0.062 | 0.125 | 1.312 | 1.063             | 15/16 - UNEF  | 1.000 | 1.1/18 - 18 NEF |
|            | 24.84 | 2.97               | 38.23      | 15.12              | 23.55       | 1.58  | 3.18  | 33.32 | 27.00             |               | 25.40 |                 |
| 18         | 0.978 | 0.117              | 1.630      | 0.595              | 1.052       | 0.062 | 0.125 | 1.437 | 1.188             | 1.1/16 - UNEF | 1.125 | 1.1/4 - 18 NEF  |
|            | 24.84 | 2.97               | 41.40      | 15.12              | 26.72       | 1.58  | 3.18  | 36.50 | 30.18             |               | 28.58 |                 |
| 20         | 1.048 | 0.148              | 1.817      | 0.720              | 1.167       | 0.062 | 0.250 | 1.562 | 1.313             | 1.3/16 - UNEF | 1.250 | 1.3/8 - 18 NEF  |
|            | 26.62 | 3.76               | 46.15      | 18.29              | 29.65       | 1.58  | 6.35  | 38.68 | 33.35             |               | 31.75 |                 |
| 22         | 1.048 | 0.148              | 1.942      | 0.720              | 1.292       | 0.062 | 0.250 | 1.687 | 1.438             | 1.5/16 - UNEF | 1.375 | 1.1/2 - 18 NEF  |
|            | 26.62 | 3.76               | 49.33      | 18.29              | 32.82       | 1.58  | 6.35  | 42.85 | 36.53             |               | 34.93 |                 |
| 24         | 1.048 | 0.148              | 2.067      | 0.753              | 1.416       | 0.062 | 0.250 | 1.812 | 1.563             | 1.7/16 - UNEF | 1.50  | 1.5/8 - 18 NEF  |
|            | 26.62 | 3.76               | 52.50      | 19.13              | 35.97       | 1.58  | 6.35  | 46.05 | 39.70             |               | 38.10 |                 |



17P

**62GB-17P**  
**MIL-C-26482 MS3114P**

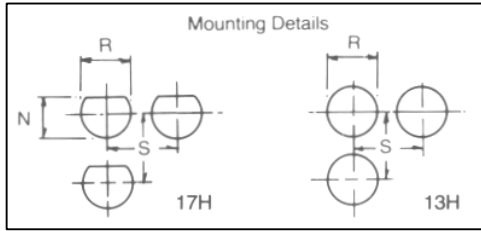
Single hole mounting for potting. Supplied complete with potting mould locating ring and panel 'O' ring seal



| Shell Size | A max. | B ± 0.005 (± 0.13) | C max. sq. | F ± 0.005 (± 0.13) | G     | K min | K max. | L     | M -0.005 (-0.13) | N ± 0.005 (± 0.13) | R ± 0.005 (± 0.13) | Y     | Z     | X Thread |                 |
|------------|--------|--------------------|------------|--------------------|-------|-------|--------|-------|------------------|--------------------|--------------------|-------|-------|----------|-----------------|
| 08         | 1.391  | 0.117              | 0.942      | 0.706              | 0.572 | 0.062 | 0.125  | 0.750 | 0.527            | 0.540              | 0.572              | 1.250 | 0.473 | 0.260    | 9/16 - 24 NEF   |
|            | 35.33  | 2.97               | 23.93      | 17.93              | 14.53 | 1.58  | 3.175  | 19.05 | 13.3             | 13.72              | 14.53              | 31.75 | 12.03 | 6.60     |                 |
| 10         | 1.391  | 0.117              | 1.067      | 0.706              | 0.666 | 0.062 | 0.125  | 0.875 | 0.652            | 0.665              | 0.697              | 1.359 | 0.590 | 0.463    | 11/16 - 24 NEF  |
|            | 35.33  | 2.97               | 27.10      | 17.93              | 16.92 | 1.58  | 3.18   | 22.23 | 16.56            | 16.89              | 17.70              | 34.52 | 14.99 | 11.76    |                 |
| 12         | 1.391  | 0.117              | 1.255      | 0.706              | 0.822 | 0.062 | 0.125  | 1.062 | 0.815            | 0.828              | 0.885              | 1.531 | 0.750 | 0.557    | 7/8 - 20 UNEF   |
|            | 35.33  | 2.97               | 31.88      | 17.93              | 20.88 | 1.58  | 3.18   | 26.98 | 20.70            | 21.03              | 22.48              | 38.89 | 19.05 | 14.15    |                 |
| 14         | 1.391  | 0.117              | 1.380      | 0.706              | 0.907 | 0.062 | 0.125  | 1.187 | 0.939            | 0.952              | 1.010              | 1.656 | 0.875 | 0.590    | 1 - 20 UNEF     |
|            | 35.33  | 2.97               | 35.05      | 17.93              | 23.06 | 1.58  | 3.18   | 30.15 | 23.85            | 24.18              | 25.65              | 42.06 | 22.23 | 14.99    |                 |
| 16         | 1.391  | 0.117              | 1.505      | 0.706              | 1.040 | 0.062 | 0.125  | 1.312 | 1.063            | 1.076              | 1.135              | 1.781 | 1.000 | 0.713    | 1.1/18 - 18 NEF |
|            | 35.33  | 2.97               | 38.23      | 17.93              | 26.42 | 1.58  | 3.18   | 33.32 | 27.00            | 27.33              | 28.83              | 45.24 | 25.40 | 18.11    |                 |
| 18         | 1.391  | 0.117              | 1.630      | 0.706              | 1.165 | 0.062 | 0.125  | 1.437 | 1.188            | 1.201              | 1.260              | 1.891 | 1.125 | 0.835    | 1.1/4 - 18 NEF  |
|            | 35.33  | 2.97               | 41.40      | 17.93              | 29.59 | 1.58  | 3.175  | 36.50 | 30.18            | 30.50              | 32.00              | 48.03 | 28.58 | 21.21    |                 |
| 20         | 1.641  | 0.148              | 1.817      | 0.894              | 1.285 | 0.062 | 0.250  | 1.562 | 1.313            | 1.326              | 1.385              | 2.031 | 1.250 | 1.015    | 1.3/8 - 18 NEF  |
|            | 41.68  | 3.76               | 46.15      | 22.71              | 32.64 | 1.58  | 6.35   | 38.68 | 33.35            | 33.68              | 35.18              | 51.59 | 31.75 | 25.78    |                 |
| 22         | 1.641  | 0.148              | 1.942      | 0.894              | 1.400 | 0.062 | 0.250  | 1.687 | 1.438            | 1.451              | 1.510              | 2.156 | 1.375 | 1.015    | 1.1/2 - 18 NEF  |
|            | 41.68  | 3.76               | 49.33      | 22.71              | 35.56 | 1.58  | 6.35   | 42.85 | 36.53            | 36.86              | 38.35              | 54.76 | 34.93 | 25.78    |                 |
| 24         | 1.674  | 0.148              | 2.067      | 0.927              | 1.540 | 0.062 | 0.250  | 1.812 | 1.563            | 1.576              | 1.635              | 2.277 | 1.500 | 1.265    | 1.5/8 - 18 NEF  |
|            | 42.52  | 3.76               | 52.50      | 23.55              | 39.12 | 1.58  | 6.35   | 46.05 | 39.70            | 40.03              | 41.45              | 57.84 | 38.10 | 32.13    |                 |

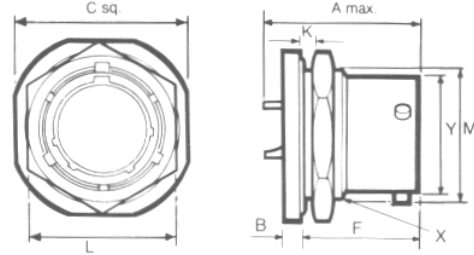
# Single Hole Fixing Receptacles

## Hermetic Seal



**62GB-17H**  
**MIL-C-26482 MS3114H**

Single hole mounting with pin contacts in one piece glass-to-metal seal. Exposed solder buckets or flattened and pierced pins.  
Has panel 'O' ring seal

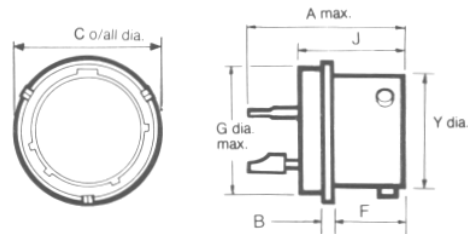


| Shell Size | A max. | B $\pm 0.005$ ( $\pm 0.13$ ) | C max. sq | F $\pm 0.005$ ( $\pm 0.13$ ) | min   | K max | L     | M -0.005 (-0.13) | N $\pm 0.005$ ( $\pm 0.13$ ) | R $\pm 0.005$ ( $\pm 0.13$ ) | S     | Y     | X Thread       |
|------------|--------|------------------------------|-----------|------------------------------|-------|-------|-------|------------------|------------------------------|------------------------------|-------|-------|----------------|
| 08         | 0.828  | 0.094                        | 0.942     | 0.706                        | 0.062 | 0.125 | 0.750 | 0.527            | 0.540                        | 0.572                        | 1.250 | 0.473 | 9/16 - 24 NEF  |
|            | 21.03  | 2.39                         | 23.93     | 17.93                        | 1.57  | 3.18  | 19.05 | 13.39            | 13.72                        | 14.53                        | 31.75 | 12.01 |                |
| 10         | 0.828  | 0.094                        | 1.067     | 0.706                        | 0.062 | 0.125 | 0.875 | 0.652            | 0.665                        | 0.697                        | 1.359 | 0.590 | 11/16 - 24 NEF |
|            | 21.03  | 2.39                         | 27.10     | 17.93                        | 1.57  | 3.18  | 22.23 | 16.56            | 16.89                        | 17.70                        | 34.52 | 14.99 |                |
| 12         | 0.828  | 0.094                        | 1.255     | 0.706                        | 0.062 | 0.125 | 1.062 | 0.815            | 0.828                        | 0.885                        | 1.531 | 0.750 | 7/8 - 20 UNEF  |
|            | 21.03  | 2.39                         | 31.88     | 17.93                        | 1.57  | 3.18  | 26.97 | 20.70            | 21.03                        | 22.48                        | 38.89 | 19.05 |                |
| 14         | 0.828  | 0.094                        | 1.380     | 0.706                        | 0.062 | 0.125 | 1.187 | 0.939            | 0.952                        | 1.010                        | 1.656 | 0.875 | 1 - 20 UNEF    |
|            | 21.03  | 2.39                         | 35.05     | 17.93                        | 1.57  | 3.18  | 30.15 | 23.85            | 24.18                        | 25.65                        | 42.06 | 22.23 |                |
| 16         | 0.828  | 0.094                        | 1.505     | 0.706                        | 0.062 | 0.125 | 1.312 | 1.063            | 1.076                        | 1.135                        | 1.781 | 1.000 | 1.1/8 - 18 NEF |
|            | 21.03  | 2.39                         | 38.23     | 17.93                        | 1.57  | 3.18  | 33.32 | 27.00            | 27.33                        | 28.53                        | 45.24 | 25.40 |                |
| 18         | 0.828  | 0.094                        | 1.630     | 0.706                        | 0.062 | 0.125 | 1.437 | 1.188            | 1.201                        | 1.260                        | 1.891 | 1.125 | 1.1/4 - 18 NEF |
|            | 21.03  | 2.39                         | 41.40     | 17.93                        | 1.57  | 3.18  | 36.50 | 30.18            | 30.51                        | 32.00                        | 48.03 | 28.58 |                |
| 20         | 0.828  | 0.125                        | 1.817     | 0.894                        | 0.062 | 0.250 | 1.562 | 1.313            | 1.326                        | 1.385                        | 2.031 | 1.250 | 1.3/8 - 18 NEF |
|            | 21.03  | 3.18                         | 46.15     | 22.71                        | 1.57  | 6.35  | 39.67 | 33.35            | 33.68                        | 35.18                        | 51.59 | 30.75 |                |
| 22         | 0.890  | 0.125                        | 1.942     | 0.894                        | 0.062 | 0.250 | 1.687 | 1.438            | 1.451                        | 1.510                        | 2.156 | 1.375 | 1.1/2 - 18 NEF |
|            | 22.61  | 3.18                         | 49.33     | 22.71                        | 1.57  | 6.35  | 42.85 | 36.53            | 36.86                        | 38.35                        | 54.76 | 34.93 |                |
| 24         | 0.890  | 0.125                        | 2.067     | 0.927                        | 0.062 | 0.250 | 1.812 | 1.563            | 1.576                        | 1.635                        | 2.277 | 1.500 | 1.5/8 - 18 NEF |
|            | 22.61  | 3.18                         | 52.50     | 23.55                        | 1.57  | 6.35  | 46.02 | 39.70            | 40.03                        | 41.53                        | 57.84 | 38.10 |                |



**62GB-13H**  
**MIL-C-26482 MS3113H**

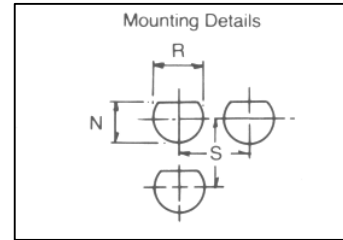
Solder mounting with plain shell and exposed solder buckets or flattened and pierced pins



| Shell Size | A max | B $\pm 0.005$ ( $\pm 0.13$ ) | c max | F $\pm 0.005$ ( $\pm 0.13$ ) | G max | J max | R $\pm 0.005$ ( $\pm 0.13$ ) | S min | Y dia. max |
|------------|-------|------------------------------|-------|------------------------------|-------|-------|------------------------------|-------|------------|
| 08         | 0.828 | 0.036                        | 0.630 | 0.426                        | 0.562 | 0.592 | 0.578                        | 1.250 | 0.473      |
|            | 21.03 | 0.91                         | 16.00 | 10.82                        | 14.27 | 15.04 | 14.68                        | 31.75 | 12.01      |
| 10         | 0.828 | 0.036                        | 0.755 | 0.426                        | 0.672 | 0.592 | 0.687                        | 1.359 | 0.590      |
|            | 21.03 | 0.91                         | 19.18 | 10.82                        | 17.07 | 15.04 | 17.45                        | 34.52 | 14.99      |
| 12         | 0.828 | 0.036                        | 0.849 | 0.426                        | 0.781 | 0.592 | 0.797                        | 1.531 | 0.750      |
|            | 21.03 | 0.91                         | 21.56 | 10.82                        | 19.84 | 15.04 | 20.24                        | 38.89 | 19.05      |
| 14         | 0.828 | 0.036                        | 0.974 | 0.426                        | 0.906 | 0.592 | 0.922                        | 1.656 | 0.875      |
|            | 21.03 | 0.91                         | 24.74 | 10.82                        | 23.01 | 15.04 | 23.42                        | 42.06 | 22.23      |
| 16         | 0.828 | 0.036                        | 1.099 | 0.426                        | 1.031 | 0.592 | 1.047                        | 1.781 | 1.000      |
|            | 21.03 | 0.91                         | 27.91 | 10.82                        | 26.19 | 15.04 | 26.59                        | 45.24 | 25.40      |
| 18         | 0.828 | 0.036                        | 1.223 | 0.426                        | 1.156 | 0.592 | 1.172                        | 1.891 | 1.125      |
|            | 21.03 | 0.91                         | 31.06 | 10.82                        | 29.36 | 15.04 | 29.77                        | 48.03 | 28.58      |
| 20         | 0.890 | 0.036                        | 1.317 | 0.488                        | 1.250 | 0.658 | 1.266                        | 2.031 | 1.250      |
|            | 22.61 | 0.91                         | 33.45 | 12.40                        | 31.75 | 16.70 | 32.16                        | 51.59 | 30.75      |
| 22         | 0.890 | 0.036                        | 1.443 | 0.488                        | 1.375 | 0.686 | 1.390                        | 2.156 | 1.375      |
|            | 22.61 | 0.91                         | 36.65 | 12.40                        | 34.93 | 17.42 | 35.31                        | 54.76 | 34.93      |
| 24         | 0.890 | 0.036                        | 1.567 | 0.521                        | 1.500 | 0.719 | 1.516                        | 2.277 | 1.500      |
|            | 22.61 | 0.91                         | 39.80 | 13.23                        | 38.10 | 18.26 | 38.51                        | 57.84 | 38.10      |



# Single Hole Fixing Receptacles

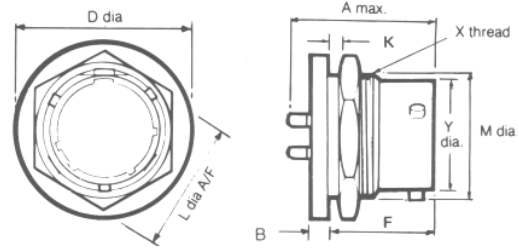


5005

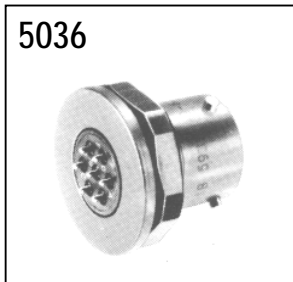
**62GB-5005-10**  
(RSRE SD/C 235025/X)

Single hole mounting plain shell with PC pin terminated contacts. Reduced diameter flange with panel 'O' seal

Size 10 only



|    | A<br>max       | B<br>+0.001<br>-0.002<br>(+0.03)<br>(-0.03) | D<br>dia.<br>max | F<br>+0.002<br>-0.003<br>(+0.05)<br>(-0.08) | K<br>min      | max           | M<br>-0.005<br>(-0.13) | N<br>±0.003<br>(±0.08) | R<br>+0.005<br>(+0.13) | S              | Y<br>dia.<br>max. | X<br>Thread    | L<br>dia       |
|----|----------------|---|------------------|---|---------------|---------------|------------------------|------------------------|------------------------|----------------|-------------------|----------------|----------------|
| 10 | 0.877<br>22.28 | 0.065<br>1.65                               | 0.880<br>22.35   | 0.681<br>17.29                              | 0.062<br>1.58 | 0.125<br>3.18 | 0.655<br>16.64         | 0.659<br>16.74         | 0.690<br>17.52         | 1.017<br>25.83 | 0.590<br>14.99    | 11/16 – 24 NEF | 0.820<br>20.83 |

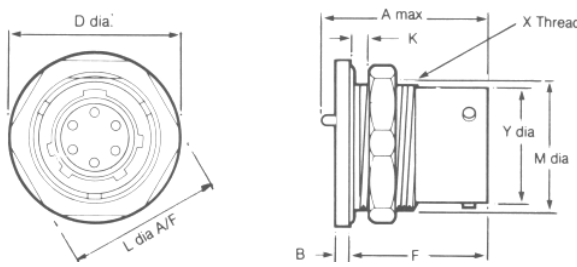


5036

**62GB-5036-10**  
(RSRE SD/C235025/X)

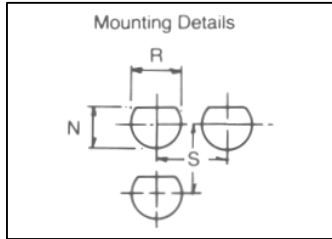
Single hole mounting with circular flange and P.C. terminations

Size 10 only



| Shell Size | A<br>max       | B<br>+0.001<br>-0.002<br>(+0.03)<br>(-0.05) | D<br>dia.<br>max | F<br>+0.002<br>-0.003<br>(+0.05)<br>(-0.08) | Y<br>dia.<br>max. | K<br>min      | max           | M<br>-0.005<br>(-0.13) | N<br>±0.003<br>(±0.08) | R<br>+0.005<br>(+0.13) | S              | X<br>Thread    | L<br>dia       |
|------------|----------------|---|------------------|---|-------------------|---------------|---------------|------------------------|------------------------|------------------------|----------------|----------------|----------------|
| 10         | 0.829<br>21.06 | 0.066<br>1.67                               | 0.880<br>22.35   | 0.679<br>17.25                              | 0.590<br>14.99    | 0.062<br>1.57 | 0.125<br>3.18 | 0.655<br>16.63         | 0.659<br>16.47         | 0.690<br>17.52         | 1.017<br>25.83 | 11/16 – 24 NEF | 0.820<br>20.83 |

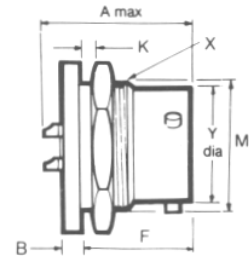
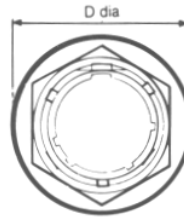
# Single Hole Fixing Receptacles



**62GB-5016-10**  
(RSRE SD/C 235025/X)

Single hole mounting plain shell for direct wiring to exposed solder buckets. Reduced diameter flange with panel 'O' ring seal

Solder bucket: Size 10 only



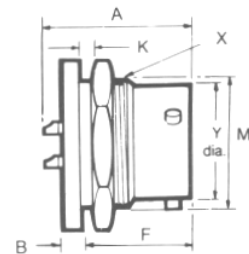
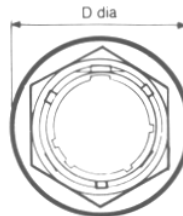
| Shell Size | A max          | B<br>+0.002<br>-0.001<br>(+0.05)<br>(-0.03) | D dia.<br>max  | F<br>+ 0.003<br>- 0.002<br>(+ 0.08)<br>(- 0.05) | min           | K max         | M<br>- 0.010<br>(- 0.25) | N<br>± 0.005<br>(± 0.13) | R<br>+ 0.005<br>(+ 0.13) | S              | Y dia.<br>max. | X Thread       |
|------------|----------------|---|----------------|---|---------------|---------------|--------------------------|--------------------------|--------------------------|----------------|----------------|----------------|
| 10         | 0.902<br>22.91 | 0.064<br>1.62                               | 0.880<br>22.35 | 0.678<br>17.21                                  | 0.062<br>1.58 | 0.125<br>3.18 | 0.655<br>16.63           | 0.665<br>16.89           | 0.697<br>17.70           | 1.359<br>34.52 | 0.590<br>14.99 | 11/16 - 24 NEF |



**62GB-5024**  
(RSRE SD/C 35077/X)

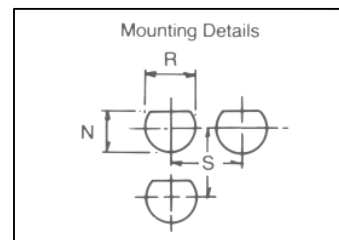
Single hole mounting plain shell for direct wiring to exposed solder buckets. Reduced diameter flange with panel 'O' ring seal

Solder buckets: Size 8, 12 and 14 only

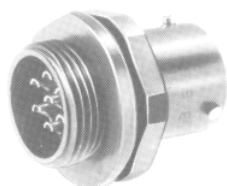


| Shell Size | A max | B<br>± 0.005<br>(± 0.13) | D dia.<br>max | F<br>± 0.005<br>(± 0.13) | min   | K max | M<br>- 0.005<br>(- 0.13) | N<br>± 0.005<br>(± 0.13) | R<br>± 0.005<br>(± 0.13) | S min | Y dia.<br>max | X Thread      |
|------------|-------|--------------------------|---------------|--------------------------|-------|-------|--------------------------|--------------------------|--------------------------|-------|---------------|---------------|
| 08         | 0.978 | 0.117                    | 0.830         | 0.706                    | 0.062 | 0.125 | 0.527                    | 0.540                    | 0.572                    | 1.250 | 0.473         | 9/16 - 24 NEF |
|            | 24.84 | 2.97                     | 21.08         | 17.93                    | 1.58  | 3.18  | 13.3                     | 13.72                    | 14.53                    | 31.75 | 12.03         |               |
|            | 0.978 | 0.117                    | 1.130         | 0.706                    | 0.062 | 0.125 | 0.815                    | 0.828                    | 0.885                    | 1.531 | 0.750         |               |
| 12         | 24.84 | 2.97                     | 28.70         | 17.93                    | 1.58  | 3.18  | 20.70                    | 21.03                    | 22.48                    | 38.89 | 19.05         | 7/8 - 20 UNEF |
|            | 0.978 | 0.117                    | 1.260         | 0.706                    | 0.062 | 0.125 | 0.939                    | 0.952                    | 1.010                    | 1.656 | 0.875         |               |
| 14         | 24.84 | 2.97                     | 32.00         | 17.93                    | 1.58  | 3.18  | 23.85                    | 24.18                    | 25.65                    | 42.06 | 22.23         | 1 - 20 UNEF   |
|            | 0.978 | 0.117                    | 1.260         | 0.706                    | 0.062 | 0.125 | 0.939                    | 0.952                    | 1.010                    | 1.656 | 0.875         |               |

# Single Hole Fixing Receptacles



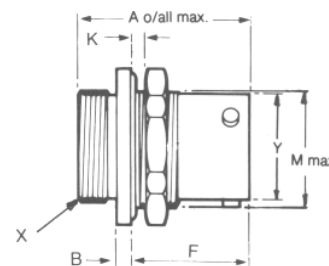
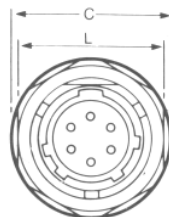
5052



62GB-5052-10

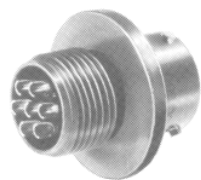
Single hole fixing with circular flange and back end thread - solder termination

Size 10 only



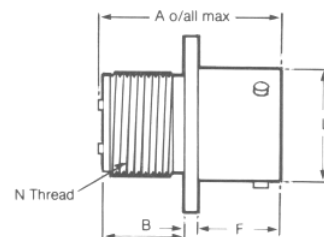
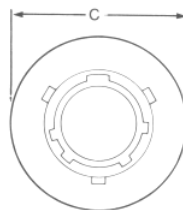
| Shell Size | A max          | B<br>(± 0.05)<br>(± 0.03) | C max.<br>sq.  | F<br>+ 0.003<br>- 0.002<br>(+ 0.08)<br>(- 0.05) | K<br>min max  |               | L              | M<br>- 0.005<br>(- 0.13) | N<br>± 0.005<br>(± 0.13) | R<br>± 0.005<br>(± 0.13) | S<br>± 0.005<br>(± 0.13) | X<br>Thread  |
|------------|----------------|---------------------------|----------------|---|---------------|---------------|----------------|--------------------------|--------------------------|--------------------------|--------------------------|--------------|
| 10         | 0.947<br>24.06 | 0.062<br>1.58             | 0.880<br>22.35 | 0.677<br>17.19                                  | 0.062<br>1.58 | 0.125<br>3.18 | 0.820<br>20.83 | 0.650<br>16.51           | 5/8 - 24 UNEF            | 0.697<br>17.70           | 1.359<br>34.52           | 5/8 - 24 NEF |

5030



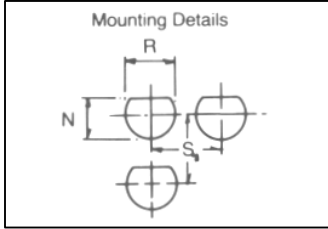
62GB-5030

Bulkhead mounting receptacle with solder terminations

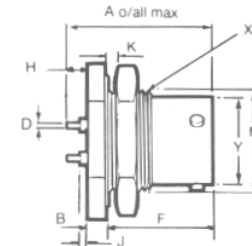
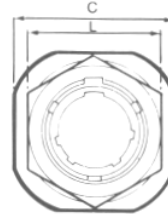


| Shell Size | A max | B<br>± 0.005<br>(± 0.13) | C<br>± 0.010<br>(± 0.25) | F<br>± 0.005<br>(± 0.13) | L     | N<br>Thread     |
|------------|-------|--------------------------|--------------------------|--------------------------|-------|-----------------|
| 08         | 0.978 | 0.094                    | 0.812                    | 0.415                    | 0.563 | 7/16 - 28 UNEF  |
|            | 24.85 | 2.39                     | 20.63                    | 10.54                    | 14.30 |                 |
| 10         | 0.978 | 0.094                    | 0.937                    | 0.415                    | 0.680 | 9/16 - 24 NEF   |
|            | 24.85 | 2.39                     | 23.80                    | 10.54                    | 17.28 |                 |
| 12         | 0.978 | 0.094                    | 1.031                    | 0.415                    | 0.859 | 11/16 - 24 NEF  |
|            | 24.85 | 2.39                     | 26.19                    | 10.54                    | 21.82 |                 |
| 14         | 0.978 | 0.094                    | 1.125                    | 0.415                    | 0.984 | 13/16 - 20 UNEF |
|            | 24.85 | 2.39                     | 28.58                    | 10.54                    | 25.00 |                 |
| 16         | 0.978 | 0.094                    | 1.218                    | 0.415                    | 1.108 | 15/16 - 20 UNEF |
|            | 24.85 | 2.39                     | 30.94                    | 10.54                    | 28.15 |                 |
| 18         | 0.978 | 0.094                    | 1.3121                   | 0.415                    | 1.233 | 1.1/16 - 18NEF  |
|            | 24.85 | 2.39                     | 33.33                    | 10.54                    | 31.32 |                 |
| 20         | 1.048 | 0.102                    | 1.437                    | 0.535                    | 1.358 | 1.3/16 - 18NEF  |
|            | 26.62 | 2.59                     | 36.50                    | 13.59                    | 34.50 |                 |
| 22         | 1.048 | 0.102                    | 1.562                    | 0.535                    | 1.483 | 1.5/16 - 18 NEF |
|            | 26.62 | 2.59                     | 39.68                    | 13.59                    | 37.67 |                 |
| 24         | 1.048 | 0.102                    | 1.687                    | 0.572                    | 1.610 | 1.7/16 - 18 NEF |
|            | 26.62 | 2.59                     | 42.85                    | 14.53                    | 40.90 |                 |

# Single Hole Fixing Receptacles



**62G B-5065**  
**BS9522-F0017 C2261**

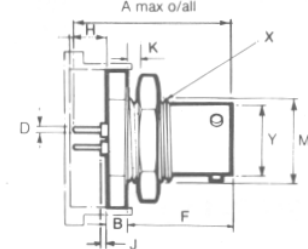
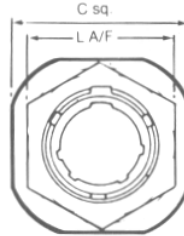


Single hole mounting with plain shell and film wire terminations

| Shell Size | A max | B ± 0.005 (± 0.13) | C sq. | D max | min   | F ± 0.005 (± 0.13) | H max | min   | J ± 0.020 (± 0.51) | K min | max   | L     | M -0.005 (-0.13) | N ±0.005 (±0.13) | R ±0.005 (±0.13) | S     | Y     | X Thread       |
|------------|-------|--------------------|-------|-------|-------|--------------------|-------|-------|--------------------|-------|-------|-------|------------------|------------------|------------------|-------|-------|----------------|
| 08         | 1.021 | 0.117              | 0.942 | 0.030 | 0.028 | 0.706              | 0.218 | 0.178 | 0.060              | 0.062 | 0.125 | 0.750 | 0.527            | 0.540            | 0.572            | 1.250 | 0.473 | 9/16 - 24 NEF  |
|            | 25.94 | 2.97               | 23.93 | 0.76  | 0.71  | 17.93              | 5.54  | 4.52  | 1.52               | 1.58  | 3.18  | 19.05 | 13.3             | 13.72            | 14.53            | 31.75 | 12.03 |                |
| 10         | 1.021 | 0.117              | 1.067 | 0.030 | 0.028 | 0.706              | 0.218 | 0.178 | 0.060              | 0.062 | 0.125 | 0.875 | 0.652            | 0.665            | 0.697            | 1.359 | 0.590 | 11/16 - 24 NEF |
|            | 25.94 | 2.97               | 27.10 | 0.76  | 0.71  | 17.93              | 5.54  | 4.52  | 1.52               | 1.58  | 3.18  | 22.23 | 16.56            | 16.89            | 17.70            | 34.52 | 14.99 |                |
| 12         | 1.021 | 0.117              | 1.255 | 0.030 | 0.028 | 0.706              | 0.218 | 0.178 | 0.060              | 0.062 | 0.125 | 1.062 | 0.815            | 0.828            | 0.885            | 1.531 | 0.750 | 7/8 - 20 UNEF  |
|            | 25.94 | 2.97               | 31.88 | 0.76  | 0.71  | 17.93              | 5.54  | 4.52  | 1.52               | 1.58  | 3.18  | 26.98 | 20.70            | 21.03            | 22.48            | 38.89 | 19.05 |                |
| 14         | 1.021 | 0.117              | 1.380 | 0.030 | 0.028 | 0.706              | 0.218 | 0.178 | 0.060              | 0.062 | 0.125 | 1.187 | 0.939            | 0.952            | 1.010            | 1.656 | 0.875 | 1 - 20 UNEF    |
|            | 25.94 | 2.97               | 35.05 | 0.76  | 0.71  | 17.93              | 5.54  | 4.52  | 1.52               | 1.58  | 3.18  | 30.15 | 23.85            | 24.18            | 25.65            | 42.06 | 22.23 |                |
| 16         | 1.021 | 0.117              | 1.505 | 0.030 | 0.028 | 0.706              | 0.218 | 0.178 | 0.060              | 0.062 | 0.125 | 1.312 | 1.063            | 1.076            | 1.135            | 1.781 | 1.000 | 1.1/8 - 18 NEF |
|            | 25.94 | 2.97               | 38.23 | 0.76  | 0.71  | 17.93              | 5.54  | 4.52  | 1.52               | 1.58  | 3.18  | 33.32 | 27.00            | 27.33            | 28.83            | 45.24 | 25.40 |                |
| 18         | 1.021 | 0.117              | 1.630 | 0.030 | 0.028 | 0.706              | 0.218 | 0.178 | 0.060              | 0.062 | 0.125 | 1.437 | 1.188            | 1.201            | 1.260            | 1.891 | 1.125 | 1.1/4 - 18 NEF |
|            | 25.94 | 2.97               | 41.40 | 0.76  | 0.71  | 17.93              | 5.54  | 4.52  | 1.52               | 1.58  | 3.18  | 36.50 | 30.18            | 30.50            | 32.00            | 48.03 | 28.58 |                |
| 20         | 1.240 | 0.148              | 1.817 | 0.030 | 0.028 | 0.894              | 0.218 | 0.178 | 0.060              | 0.062 | 0.250 | 1.562 | 1.313            | 1.326            | 1.385            | 2.031 | 1.250 | 1.3/8 - 18 NEF |
|            | 31.50 | 3.76               | 46.15 | 0.76  | 0.71  | 22.71              | 5.54  | 4.52  | 1.52               | 1.58  | 6.35  | 38.68 | 33.35            | 33.68            | 35.18            | 51.59 | 31.75 |                |
| 22         | 1.240 | 0.148              | 1.942 | 0.030 | 0.028 | 0.894              | 0.218 | 0.178 | 0.060              | 0.062 | 0.250 | 1.687 | 1.438            | 1.451            | 1.510            | 2.156 | 1.375 | 1.1/2 - 18 NEF |
|            | 31.50 | 3.76               | 49.33 | 0.76  | 0.71  | 22.71              | 5.54  | 4.52  | 1.52               | 1.58  | 6.35  | 42.85 | 36.53            | 36.855           | 38.35            | 54.76 | 34.93 |                |
| 24         | 1.273 | 0.148              | 2.067 | 0.030 | 0.028 | 0.927              | 0.218 | 0.178 | 0.060              | 0.062 | 0.250 | 1.812 | 1.563            | 1.576            | 1.635            | 2.277 | 1.500 | 1.5/8 - 18 NEF |
|            | 32.34 | 3.76               | 52.50 | 0.76  | 0.71  | 23.55              | 5.54  | 4.52  | 1.52               | 1.58  | 6.35  | 46.05 | 39.70            | 40.03            | 41.45            | 57.84 | 38.10 |                |



**62GB-5067**  
**BS9522 - F0017 - C2261**



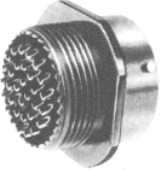
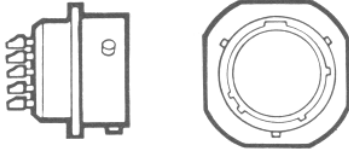

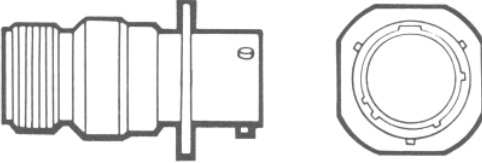
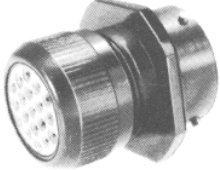
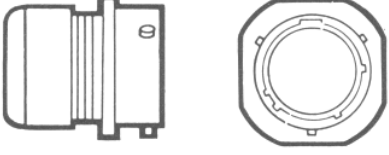
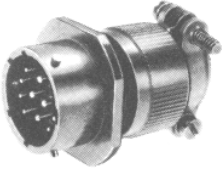
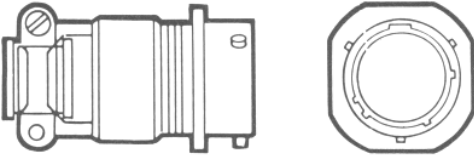
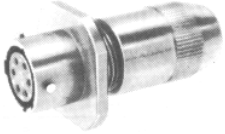
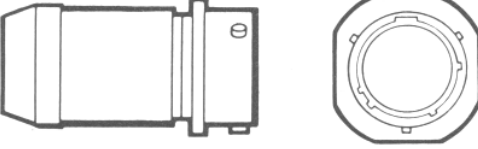
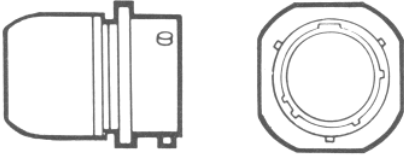
Single hole mounting with plain shell and film wire terminations

| Shell Size | A max | B ± 0.005 (± 0.13) | C max sq. | D max | min   | F ± 0.005 (± 0.13) | H max | min   | J ± 0.012 (± 0.30) | K min | max   | L     | M -0.005 (-0.13) | N ±0.005 (±0.13) | R ±0.005 (±0.13) | S     | Y     | X Thread       |
|------------|-------|--------------------|-----------|-------|-------|--------------------|-------|-------|--------------------|-------|-------|-------|------------------|------------------|------------------|-------|-------|----------------|
| 08         | 1.095 | 0.117              | 0.942     | 0.030 | 0.028 | 0.706              | 0.262 | 0.230 | 0.049              | 0.062 | 0.125 | 0.750 | 0.527            | 0.540            | 0.572            | 1.250 | 0.473 | 9/16 - 24 NEF  |
|            | 27.81 | 2.97               | 23.93     | 0.76  | 0.71  | 17.93              | 6.66  | 5.85  | 1.24               | 1.58  | 3.18  | 19.05 | 13.3             | 13.72            | 14.53            | 31.75 | 12.03 |                |
| 10         | 1.095 | 0.117              | 1.067     | 0.030 | 0.028 | 0.706              | 0.262 | 0.230 | 0.049              | 0.062 | 0.125 | 0.875 | 0.652            | 0.665            | 0.697            | 1.359 | 0.590 | 11/16 - 24 NEF |
|            | 27.81 | 2.97               | 27.10     | 0.76  | 0.71  | 17.93              | 6.66  | 5.85  | 1.24               | 1.58  | 3.18  | 22.23 | 16.56            | 16.89            | 17.70            | 34.52 | 14.99 |                |
| 12         | 1.095 | 0.117              | 1.255     | 0.030 | 0.028 | 0.706              | 0.262 | 0.230 | 0.049              | 0.062 | 0.125 | 1.062 | 0.815            | 0.828            | 0.885            | 1.531 | 0.750 | 7/8 - 20 UNEF  |
|            | 27.81 | 2.97               | 31.88     | 0.76  | 0.71  | 17.93              | 6.66  | 5.85  | 1.24               | 1.58  | 3.18  | 26.98 | 20.70            | 21.03            | 22.50            | 38.89 | 19.05 |                |
| 14         | 1.095 | 0.117              | 1.380     | 0.030 | 0.028 | 0.706              | 0.262 | 0.230 | 0.049              | 0.062 | 0.125 | 1.187 | 0.939            | 0.952            | 1.010            | 1.656 | 0.875 | 1 - 20 UNEF    |
|            | 27.81 | 2.97               | 35.10     | 0.76  | 0.71  | 17.93              | 6.66  | 5.85  | 1.24               | 1.58  | 3.18  | 30.15 | 23.85            | 24.18            | 25.65            | 42.06 | 22.23 |                |
| 16         | 1.095 | 0.117              | 1.505     | 0.030 | 0.028 | 0.706              | 0.262 | 0.230 | 0.049              | 0.062 | 0.125 | 1.312 | 1.063            | 1.076            | 1.135            | 1.781 | 1.000 | 1.1/8 - 18 NEF |
|            | 27.81 | 2.97               | 38.23     | 0.76  | 0.71  | 17.93              | 6.66  | 5.85  | 1.24               | 1.58  | 3.18  | 33.32 | 27.00            | 27.33            | 28.83            | 45.24 | 25.40 |                |
| 18         | 1.095 | 0.117              | 1.630     | 0.030 | 0.028 | 0.706              | 0.262 | 0.230 | 0.049              | 0.062 | 0.125 | 1.437 | 1.188            | 1.201            | 1.260            | 1.891 | 1.125 | 1.1/4 - 18 NEF |
|            | 27.81 | 2.97               | 41.40     | 0.76  | 0.71  | 17.93              | 6.66  | 5.85  | 1.24               | 1.58  | 3.18  | 36.50 | 30.18            | 30.51            | 32.00            | 48.03 | 28.58 |                |
| 20         | 1.309 | 0.148              | 1.817     | 0.030 | 0.028 | 0.894              | 0.262 | 0.230 | 0.049              | 0.062 | 0.250 | 1.562 | 1.313            | 1.326            | 1.385            | 2.031 | 1.250 | 1.3/8 - 18 NEF |
|            | 33.24 | 3.76               | 46.15     | 0.76  | 0.71  | 22.71              | 6.66  | 5.85  | 1.24               | 1.58  | 6.35  | 38.68 | 33.35            | 33.68            | 35.18            | 51.59 | 31.75 |                |
| 22         | 1.309 | 0.148              | 1.942     | 0.030 | 0.028 | 0.894              | 0.262 | 0.230 | 0.049              | 0.062 | 0.250 | 1.687 | 1.438            | 1.451            | 1.510            | 2.156 | 1.375 | 1.1/2 - 18 NEF |
|            | 33.24 | 3.76               | 49.33     | 0.76  | 0.71  | 22.71              | 6.66  | 5.85  | 1.24               | 1.58  | 6.35  | 42.85 | 36.53            | 36.86            | 38.35            | 54.76 | 34.93 |                |
| 24         | 1.342 | 0.148              | 2.067     | 0.030 | 0.028 | 0.927              | 0.262 | 0.230 | 0.049              | 0.062 | 0.250 | 1.812 | 1.563            | 1.576            | 1.635            | 2.277 | 1.500 | 1.5/8 - 18 NEF |
|            | 34.08 | 3.76               | 52.50     | 0.76  | 0.71  | 23.55              | 6.66  | 5.85  | 1.24               | 1.58  | 6.35  | 46.05 | 39.70            | 40.03            | 41.59            | 57.84 | 38.10 |                |

# Cable Mounting Receptacles

## Table of Styles

Page No.

|          |   |  |    |
|----------|---|--|----|
| 62GB-51T |    |    | 32 |
| 62GB-11A |    |    | 32 |
| 62GB-11E |   |   | 33 |
| 62GB-11F |  |  | 33 |
| 62GB-11J |  |  | 34 |
| 62GB-11P |  |  | 34 |

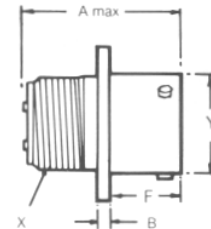
# Cable Mounting Receptacles

51T



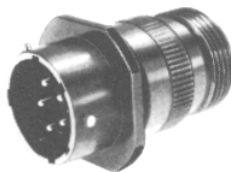
**62GB-51T**  
**BS9522-F0017-C2101**

Basic cable mounting receptacle with threaded shell to accept standard cable accessories.



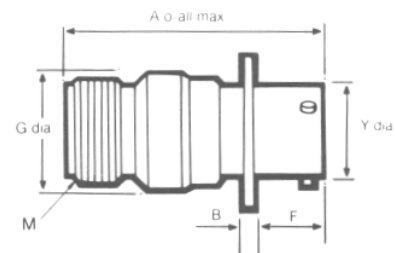
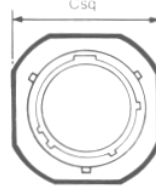
| Shell Size | A max | B ± 0.005 (± 0.13) | C max sq | F ± 0.005 (± 0.13) | Y dia max | X Thread        |
|------------|-------|--------------------|----------|--------------------|-----------|-----------------|
| 08         | 0.978 | 0.094              | 0.817    | 0.415              | 0.473     | 7/16 - 28 UNEF  |
|            | 24.84 | 2.39               | 20.75    | 10.54              | 12.03     |                 |
| 10         | 0.978 | 0.094              | 0.942    | 0.415              | 0.590     | 9/16 - 24 NEF   |
|            | 24.84 | 2.39               | 23.93    | 10.54              | 14.99     |                 |
| 12         | 0.978 | 0.094              | 1.036    | 0.415              | 0.750     | 11 /16 - 24 NEF |
|            | 24.84 | 2.39               | 26.32    | 10.54              | 19.05     |                 |
| 14         | 0.978 | 0.094              | 1.130    | 0.415              | 0.875     | 13/16 - 20 UNEF |
|            | 24.84 | 2.39               | 28.70    | 10.54              | 22.23     |                 |
| 16         | 0.978 | 0.094              | 1.223    | 0.415              | 1.000     | 15/16 - 20 UNEF |
|            | 24.84 | 2.39               | 31.07    | 10.54              | 25.40     |                 |
| 18         | 0.978 | 0.094              | 1.317    | 0.415              | 1.125     | 1.1/16 -18 NEF  |
|            | 24.84 | 2.39               | 33.45    | 10.54              | 28.58     |                 |
| 20         | 1.048 | 0.102              | 1.442    | 0.535              | 1.250     | 1.3/16 -18 NEF  |
|            | 26.62 | 2.59               | 36.63    | 13.59              | 31.75     |                 |
| 22         | 1.048 | 0.102              | 1.567    | 0.535              | 1.375     | 1.5/16 -18 NEF  |
|            | 26.62 | 2.59               | 39.80    | 13.59              | 34.93     |                 |
| 24         | 1.048 | 0.102              | 1.692    | 0.560 / 0.574      | 1.500     | 1.7/16 -18 NEF  |
|            | 26.62 | 2.59               | 42.98    | 14.23 / 14.58      | 38.10     |                 |

11A



**62GB-11A**

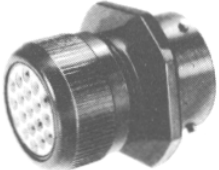
Cable mounting receptacle with general duty back shell. No grommet supplied.



| Shell Size | A max | B ± 0.005 (± 0.13) | C max sq | F ± 0.005 (± 0.13) | G dia max | Y Dia max | M Thread        |
|------------|-------|--------------------|----------|--------------------|-----------|-----------|-----------------|
| 08         | 1.624 | 0.094              | 0.817    | 0.415              | 0.561     | 0.473     | 1/2 - 28 UNEF   |
|            | 41.25 | 2.39               | 20.75    | 10.54              | 14.25     | 12.03     |                 |
| 10         | 1.624 | 0.094              | 0.942    | 0.415              | 0.686     | 0.590     | 5/8 - 24 NEF    |
|            | 41.25 | 2.39               | 23.93    | 10.54              | 17.43     | 14.99     |                 |
| 12         | 1.624 | 0.094              | 1.036    | 0.415              | 0.811     | 0.750     | 3/4 - 20 UNEF   |
|            | 41.25 | 2.39               | 26.32    | 10.54              | 20.60     | 19.05     |                 |
| 14         | 1.624 | 0.094              | 1.130    | 0.415              | 0.936     | 0.875     | 7/8 - 20 UNEF   |
|            | 41.25 | 2.39               | 28.70    | 10.54              | 23.78     | 22.23     |                 |
| 16         | 1.624 | 0.094              | 1.223    | 0.415              | 1.061     | 1.000     | 1 - 20 UNEF     |
|            | 41.25 | 2.39               | 31.07    | 10.54              | 26.95     | 25.40     |                 |
| 18         | 1.624 | 0.094              | 1.317    | 0.415              | 1.186     | 1.125     | 1.3/16 - 18 NEF |
|            | 41.25 | 2.39               | 33.45    | 10.54              | 30.13     | 28.58     |                 |
| 20         | 1.687 | 0.104 / 0.100      | 1.442    | 0.535              | 1.311     | 1.250     | 1 3/16 -18 NEF  |
|            | 42.85 | 2.64 / 2.55        | 36.63    | 13.59              | 33.30     | 31.75     |                 |
| 22         | 1.687 | 0.104 / 0.100      | 1.567    | 0.535              | 1.436     | 1.375     | 1.7/16 -18 NEF  |
|            | 42.85 | 2.64 / 2.55        | 39.80    | 13.59              | 36.75     | 34.93     |                 |
| 24         | 1.730 | 0.104 / 0.100      | 1.692    | 0.569 / 0.574      | 1.561     | 1.500     | 1.7/16 -18 NEF  |
|            | 43.94 | 2.64 / 2.55        | 42.98    | 14.45 / 14.58      | 39.65     | 38.10     |                 |

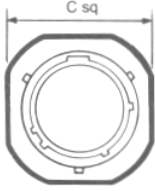
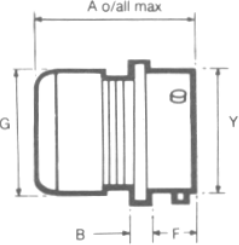
# Cable Mounting Receptacles

## 11E



### 62GB-11E

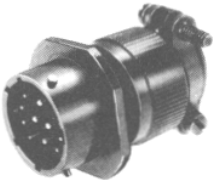
**MIL-C-26482 MS3111E**

Cable mounting receptacle with grommet and grommet nut

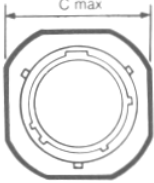
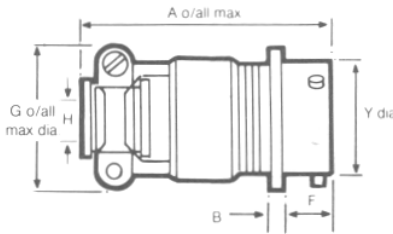
| Shell Size | A max | B ± 0.005 (± 0.13) | C max sq | F ± 0.005 (± 0.13) | G dia max | Y dia max |
|------------|-------|--------------------|----------|--------------------|-----------|-----------|
| 08         | 1.281 | 0.094              | 0.817    | 0.415              | 0.561     | 0.473     |
|            | 32.54 | 2.39               | 20.75    | 10.54              | 14.25     | 12.03     |
| 10         | 1.281 | 0.094              | 0.942    | 0.415              | 0.686     | 0.590     |
|            | 32.54 | 2.39               | 23.93    | 10.54              | 17.43     | 14.99     |
| 12         | 1.281 | 0.094              | 1.036    | 0.415              | 0.811     | 0.750     |
|            | 32.54 | 2.39               | 26.32    | 10.54              | 20.60     | 19.05     |
| 14         | 1.281 | 0.094              | 1.130    | 0.415              | 0.936     | 0.875     |
|            | 32.54 | 2.39               | 28.70    | 10.54              | 23.78     | 22.23     |
| 16         | 1.281 | 0.094              | 1.223    | 0.415              | 1.061     | 1.000     |
|            | 32.54 | 2.39               | 31.07    | 10.54              | 26.95     | 25.40     |
| 18         | 1.281 | 0.094              | 1.317    | 0.415              | 1.186     | 1.125     |
|            | 32.54 | 2.39               | 33.45    | 10.54              | 30.13     | 28.58     |
| 20         | 1.383 | 0.102              | 1.442    | 0.535              | 1.311     | 1.250     |
|            | 35.13 | 2.59               | 36.63    | 13.59              | 33.30     | 31.75     |
| 22         | 1.383 | 0.102              | 1.567    | 0.535              | 1.436     | 1.375     |
|            | 35.13 | 2.59               | 39.80    | 13.59              | 36.75     | 34.93     |
| 24         | 1.383 | 0.102              | 1.692    | 0.569 / 0.574      | 1.561     | 1.500     |
|            | 35.13 | 2.59               | 42.98    | 14.45 / 14.58      | 39.65     | 38.10     |

## 11F



### 62GB-11F

**MIL-C-26482 MS3111F**

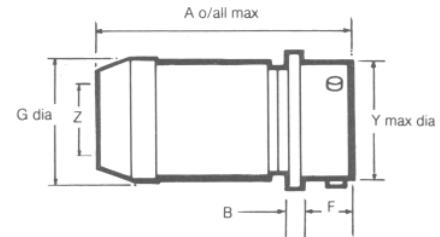
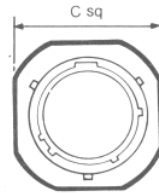
Cable mounting receptacle with grommet and grommet nut fitted with integral strain relief clamp

| Shell Size | A max | B ± 0.005 (± 0.13) | C max sq | F ± 0.005 (± 0.13) | G dia max | H ± 0.005 (± 0.13) | Y dia max |
|------------|-------|--------------------|----------|--------------------|-----------|--------------------|-----------|
| 08         | 1.762 | 0.094              | 0.817    | 0.415              | 0.828     | 0.156              | 0.473     |
|            | 44.75 | 2.39               | 20.75    | 10.54              | 21.03     | 3.96               | 12.03     |
| 10         | 1.762 | 0.094              | 0.942    | 0.415              | 0.891     | 0.188              | 0.590     |
|            | 44.75 | 2.39               | 23.93    | 10.54              | 22.63     | 4.78               | 14.99     |
| 12         | 1.762 | 0.094              | 1.036    | 0.415              | 1.016     | 0.312              | 0.750     |
|            | 44.75 | 2.39               | 26.32    | 10.54              | 25.81     | 7.93               | 19.05     |
| 14         | 1.736 | 0.094              | 1.130    | 0.415              | 1.141     | 0.375              | 0.875     |
|            | 44.10 | 2.39               | 28.70    | 10.54              | 28.97     | 9.53               | 22.23     |
| 16         | 1.876 | 0.094              | 1.223    | 0.415              | 1.203     | 0.500              | 1.000     |
|            | 47.65 | 2.39               | 31.07    | 10.54              | 30.56     | 12.7               | 25.40     |
| 18         | 1.876 | 0.094              | 1.317    | 0.415              | 1.426     | 0.625              | 1.125     |
|            | 47.65 | 2.39               | 33.45    | 10.54              | 36.22     | 15.88              | 28.58     |
| 20         | 2.118 | 0.104 / 0.100      | 1.442    | 0.535              | 1.426     | 0.625              | 1.250     |
|            | 53.80 | 2.64 / 2.55        | 36.63    | 13.59              | 36.22     | 15.88              | 31.75     |
| 22         | 2.118 | 0.104 / 0.100      | 1.567    | 0.535              | 1.567     | 0.750              | 1.375     |
|            | 53.80 | 2.64 / 2.55        | 39.80    | 13.59              | 39.80     | 19.05              | 34.93     |
| 24         | 2.250 | 0.104 / 0.100      | 1.692    | 0.569 / 0.574      | 1.735     | 0.800              | 1.500     |
|            | 57.15 | 2.64 / 2.55        | 42.98    | 14.45 / 14.58      | 44.07     | 20.32              | 38.10     |

# Cable Mounting Receptacles

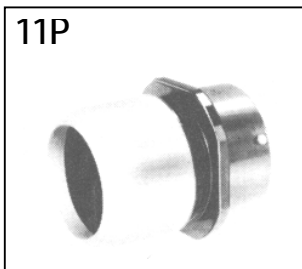


**62GB-11J**

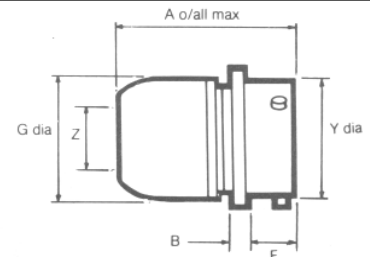
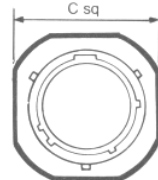


With cable clamp for unscreened jacketed cable. No grommet supplied

| Shell Size | A max | B ± 0.005 (± 0.13) | C max sq | F ± 0.005 (± 0.13) | G dia max | Y dia max | min closed | Z max free |
|------------|-------|--------------------|----------|--------------------|-----------|-----------|------------|------------|
| 08         | 1.846 | 0.094              | 0.817    | 0.415              | 0.561     | 0.473     | 0.168      | 0.230      |
|            | 46.89 | 2.39               | 20.75    | 10.54              | 14.25     | 12.03     | 4.28       | 5.84       |
| 10         | 1.846 | 0.094              | 0.942    | 0.415              | 0.686     | 0.590     | 0.205      | 0.312      |
|            | 46.89 | 2.39               | 23.93    | 10.54              | 17.43     | 14.99     | 5.21       | 7.93       |
| 12         | 1.947 | 0.094              | 1.036    | 0.415              | 0.811     | 0.750     | 0.338      | 0.442      |
|            | 49.45 | 2.39               | 26.32    | 10.54              | 20.60     | 19.05     | 8.59       | 11.23      |
| 14         | 2.147 | 0.094              | 1.130    | 0.415              | 0.936     | 0.875     | 0.416      | 0.539      |
|            | 54.54 | 2.39               | 28.70    | 10.54              | 23.78     | 22.23     | 10.57      | 13.69      |
| 16         | 2.347 | 0.094              | 1.223    | 0.415              | 1.061     | 1.000     | 0.550      | 0.616      |
|            | 59.61 | 2.39               | 31.07    | 10.54              | 26.95     | 25.40     | 13.97      | 15.65      |
| 18         | 2.547 | 0.094              | 1.317    | 0.415              | 1.186     | 1.125     | 0.600      | 0.672      |
|            | 64.70 | 2.39               | 33.45    | 10.54              | 30.13     | 28.58     | 15.24      | 17.07      |
| 20         | 2.831 | 0.102              | 1.442    | 0.535              | 1.311     | 1.250     | 0.635      | 0.747      |
|            | 71.91 | 2.59               | 36.63    | 13.59              | 33.30     | 31.75     | 16.13      | 18.98      |
| 22         | 3.031 | 0.102              | 1.567    | 0.535              | 1.436     | 1.375     | 0.670      | 0.846      |
|            | 76.99 | 2.59               | 39.80    | 13.59              | 36.75     | 34.93     | 17.02      | 21.49      |
| 24         | 3.074 | 0.102              | 1.692    | 0.569 / 0.574      | 1.561     | 1.500     | 0.740      | 0.894      |
|            | 78.03 | 2.59               | 42.98    | 14.45 / 14.58      | 39.65     | 38.10     | 18.80      | 22.71      |



**62GB-11P**  
**MIL-C-26482 MS3111P**



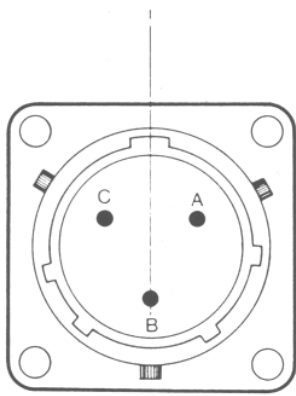
For potted seal supplied complete with detachable potting mould and location ring

| Shell Size | A max | B ± 0.005 (± 0.13) | C max sq | F ± 0.005 (± 0.13) | G dia max | Y dia max | Z min |
|------------|-------|--------------------|----------|--------------------|-----------|-----------|-------|
| 08         | 1.316 | 0.094              | 0.817    | 0.415              | 0.572     | 0.473     | 0.260 |
|            | 33.43 | 2.39               | 20.75    | 10.54              | 14.53     | 12.03     | 6.60  |
| 10         | 1.425 | 0.094              | 0.942    | 0.415              | 0.666     | 0.590     | 0.463 |
|            | 36.20 | 2.39               | 23.93    | 10.54              | 16.92     | 14.99     | 11.76 |
| 12         | 1.394 | 0.094              | 1.036    | 0.415              | 0.822     | 0.750     | 0.557 |
|            | 35.41 | 2.39               | 26.32    | 10.54              | 20.88     | 19.05     | 14.15 |
| 14         | 1.394 | 0.094              | 1.130    | 0.415              | 0.907     | 0.875     | 0.590 |
|            | 35.41 | 2.39               | 28.70    | 10.54              | 23.04     | 22.23     | 14.99 |
| 16         | 1.394 | 0.094              | 1.223    | 0.415              | 1.040     | 1.000     | 0.713 |
|            | 35.41 | 2.39               | 31.07    | 10.54              | 26.42     | 25.40     | 18.11 |
| 18         | 1.394 | 0.094              | 1.317    | 0.415              | 1.165     | 1.125     | 0.835 |
|            | 35.41 | 2.39               | 33.45    | 10.54              | 29.59     | 28.58     | 22.21 |
| 20         | 1.612 | 0.102              | 1.442    | 0.535              | 1.285     | 1.250     | 1.015 |
|            | 40.95 | 2.59               | 36.63    | 13.59              | 32.64     | 31.75     | 25.78 |
| 22         | 1.612 | 0.102              | 1.567    | 0.535              | 1.400     | 1.375     | 1.015 |
|            | 40.95 | 2.59               | 39.80    | 13.59              | 35.56     | 34.93     | 25.78 |
| 24         | 1.674 | 0.102              | 1.692    | 0.569 / 0.574      | 1.540     | 1.500     | 1.265 |
|            | 42.52 | 2.59               | 42.98    | 14.45 / 14.58      | 39.12     | 38.10     | 32.13 |

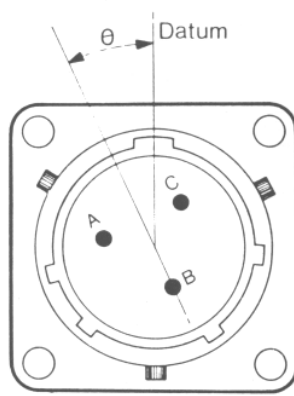


# Insert Orientations

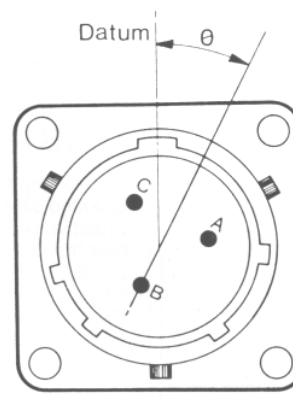
For M I L-C-26482 and for replacement purposes in BS9522 FOO 17



Normal position with pin contacts



Alternative position of insert with socket contacts (∅ counterclockwise)



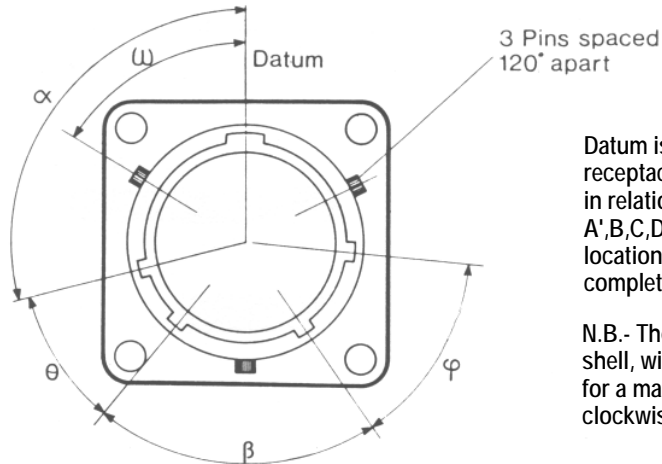
Alternate position of insert with pin contacts (∅ clockwise)

Each diagram shows mating face of insert.

| Insert Arrangement | Normal | Orientation ∅ (degrees) |     |     | Z   |
|--------------------|--------|-------------------------|-----|-----|-----|
|                    |        | W                       | X   | Y   |     |
| 8-2                | 0      | 58                      | 122 | -   | -   |
| 8-3                | 0      | 60                      | 210 | -   | -   |
| 8-33               | 0      | 90                      | -   | -   | -   |
| 8-4                | 0      | 45                      | -   | -   | -   |
| 8-98               | 0      | -                       | -   | -   | -   |
| 10-2               | 0      | -                       | -   | -   | -   |
| 10-6               | 0      | 90                      | -   | -   | -   |
| 10-7               | 0      | -                       | -   | -   | -   |
| 12-3               | 0      | -                       | -   | 180 | -   |
| 12-10              | 0      | 60                      | 155 | 270 | 295 |
| 14-5               | 0      | 40                      | 92  | 184 | 273 |
| 14-12              | 0      | 43                      | 90  | -   | -   |
| 14-15              | 0      | 17                      | 110 | 155 | 234 |
| 14-19              | 0      | 30                      | 165 | 315 | -   |
| 16-18              | 0      | 54                      | 152 | 180 | 331 |
| 16-23              | 0      | 158                     | 270 | -   | -   |
| 16-26              | 0      | 60                      | -   | 275 | 338 |
| 18-11              | 0      | 62                      | 119 | 241 | 340 |
| 18-32              | 0      | 85                      | 138 | 222 | 265 |
| 20-16              | 0      | 238                     | 318 | 333 | 347 |
| 20-41              | 0      | 45                      | 126 | 225 | -   |
| 22-21              | 0      | 16                      | 135 | 175 | 349 |
| 22-55              | 0      | 30                      | 142 | 226 | 314 |
| 24-61              | 0      | 90                      | 180 | 270 | 324 |

# Key/Keyway Orientations

## For BS9522 F0017



Datum is always taken from major key or keyway. In receptacles the major keyway always remains fixed in relation to the mounting flange. For the A', B, C, D', E and F orientations, the three bayonet locations and associated minor keyways are rotated complete, in accordance with the table below.

N.B.- The accompanying diagram shows a receptacle shell, with keyways. Corresponding key orientations for a mating plug shell are therefore always clockwise.

| Shell Size | Values for $\alpha$ (degrees) |     |    |     |     |     |     | Values for $\theta$ (degrees) |    |    |    |    |    | Values for $\beta$ (degrees) |    |     |    |     |    |     |    |
|------------|-------------------------------|-----|----|-----|-----|-----|-----|-------------------------------|----|----|----|----|----|------------------------------|----|-----|----|-----|----|-----|----|
|            | N                             | A*  | B  | C   | D*  | E   | F   | N                             | A* | B  | C  | D* | E  | F                            | N  | A*  | B  | C   | D* | E   | F  |
| 8          | 105                           | 92  | -  | -   | 118 | 118 | 82  | 35                            | 35 | -  | -  | 35 | 30 | 50                           | 75 | 75' | -  | -   | 75 | 100 | 75 |
| 10         | 105                           | 95  | 85 | 125 | 115 | 115 | 85  | 35                            | 35 | 35 | 35 | 35 | 30 | 50                           | 75 | 75  | 75 | 75  | 75 | 100 | 75 |
| 12         | 105                           | 97  | 89 | 121 | 113 | 115 | 85  | 35                            | 35 | 35 | 35 | 35 | 30 | 50                           | 75 | 75  | 75 | 75  | 75 | 100 | 75 |
| 14         | 105                           | 98  | 91 | 119 | 112 | 75  | 120 | 35                            | 35 | 35 | 35 | 35 | 30 | 50                           | 75 | 75  | 75 | 75  | 75 | 100 | 75 |
| 16         | 105                           | 99  | 93 | 117 | 111 | 75  | 120 | 35                            | 35 | 35 | 35 | 35 | 30 | 50                           | 75 | 75  | 75 | 75  | 75 | 100 | 75 |
| 18         | 105                           | 100 | 95 | 115 | 110 | 75  | 120 | 35                            | 35 | 35 | 35 | 35 | 30 | 50                           | 75 | 75  | 75 | 75  | 75 | 100 | 75 |
| 20         | 105                           | 100 | 95 | 115 | 110 | 75  | 120 | 35                            | 35 | 35 | 35 | 35 | 30 | 50                           | 75 | 75  | 75 | 75  | 75 | 100 | 75 |
| 22         | 105                           | 101 | 97 | 113 | 109 | 75  | 120 | 35                            | 35 | 35 | 35 | 35 | 30 | 50                           | 75 | 75  | 75 | 100 | 75 | 75  | 75 |
| 24         | 105                           | 101 | 97 | 113 | 109 | 75  | 120 | 35                            | 35 | 35 | 35 | 35 | 30 | 50                           | 75 | 75  | 75 | 75  | 75 | 100 | 75 |

| Shell Size | Values for $\phi$ (degrees) Orientation |    |    |    |    |    |    | Values for $\omega$ (degrees) Orientation |    |    |    |    |    |    |
|------------|---|----|----|----|----|----|----|---|----|----|----|----|----|----|
|            | N                                       | A* | B  | C  | D* | E  | F  | N   | A* | B  | C  | D* | E  | F  |
| 8          | 50                                      | 50 | 50 | 50 | 50 | 30 | 45 | 60  | 47 | -  | -  | 73 | 73 | 47 |
| 10         | 50                                      | 50 | 50 | 50 | 50 | 30 | 45 | 60  | 50 | 40 | 80 | 70 | 70 | 50 |
| 12         | 50                                      | 50 | 50 | 50 | 50 | 30 | 45 | 60  | 52 | 44 | 76 | 68 | 70 | 50 |
| 14         | 50                                      | 50 | 50 | 50 | 50 | 30 | 35 | 60  | 53 | 46 | 74 | 67 | 30 | 75 |
| 16         | 50                                      | 50 | 50 | 50 | 50 | 30 | 35 | 60  | 54 | 48 | 72 | 66 | 30 | 75 |
| 18         | 50                                      | 50 | 50 | 50 | 50 | 30 | 35 | 60  | 55 | 50 | 70 | 65 | 30 | 75 |
| 20         | 50                                      | 50 | 50 | 50 | 50 | 30 | 35 | 60  | 55 | 50 | 70 | 65 | 30 | 75 |
| 22         | 50                                      | 50 | 50 | 50 | 50 | 30 | 35 | 60  | 56 | 52 | 68 | 64 | 30 | 75 |
| 24         | 50                                      | 50 | 50 | 50 | 50 | 30 | 35 | 60  | 56 | 52 | 68 | 64 | 30 | 75 |

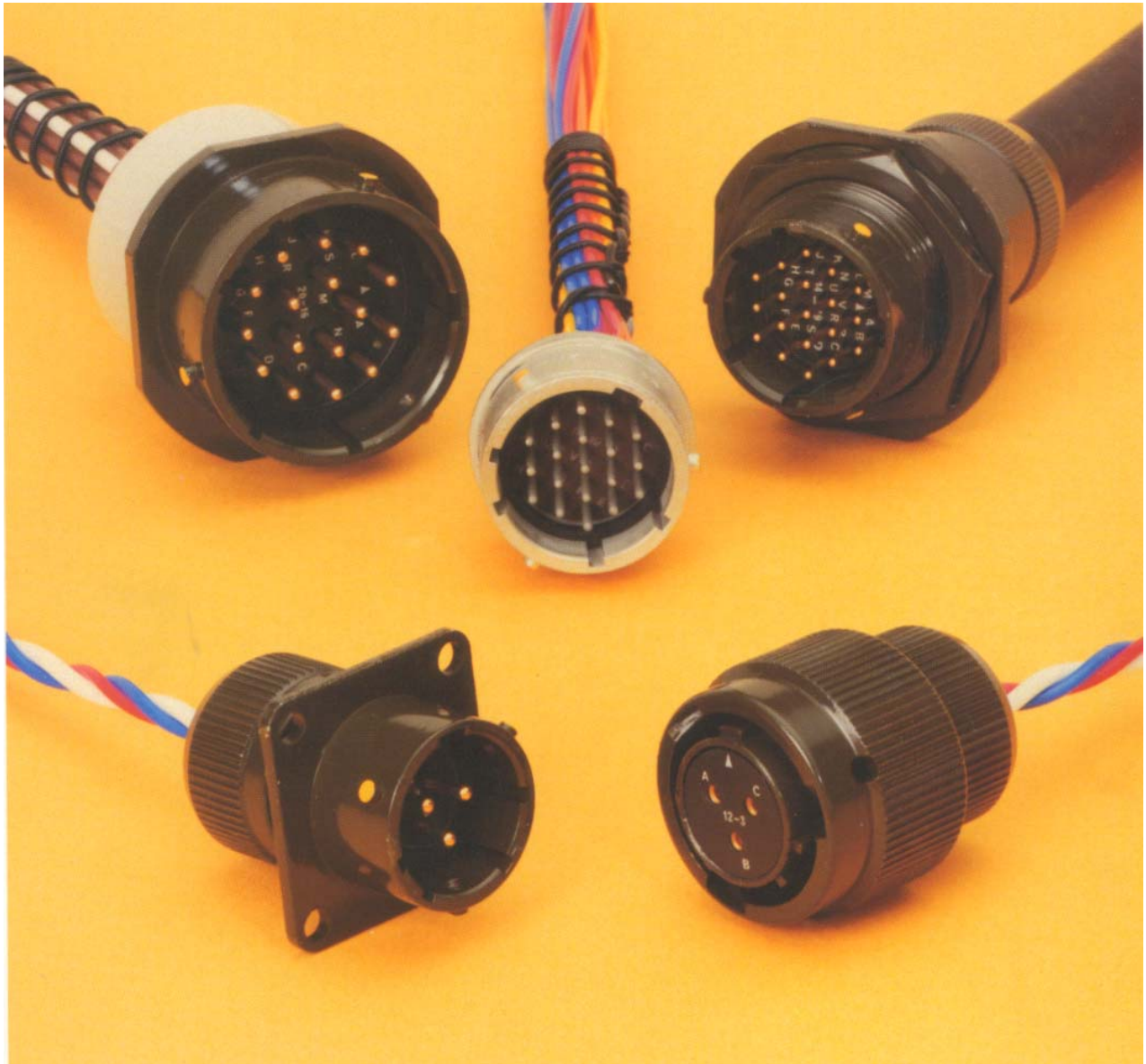
\* now inactive for new designs but available for replacement purposes. Superseded in BS9522 F0017 by orientations E and F.



# 62 GB- Series Accessories

# CE-2Aa

Miniature Bayonet Lock Connectors  
Complies with MIL-C-26482



This miniature bayonet lock connector series offers designers important features not found in any other range of connectors.

They are developed and manufactured entirely in the U.K. by AMPHENOL Ltd., and have full qualification approval to British Standards Specification BS 9522 F0017 and British Defence Specification DEF STAN 59-35 (Part 3) Sec. 7.

This catalogue to be used in conjunction with Catalogues:  
CE-2Pa – 62GB Series Plugs  
CE-2Ra – 62GB Series Receptacles

# Amphenol

## **CONTENTS**

## **Page**

|                                     |       |
|-------------------------------------|-------|
| Amphenol 62GB Solder Connectors     | 3     |
| Schedule of Tests                   | 4-5   |
| Accessories - Table of Styles       | 6-7   |
| Accessories                         | 8-14  |
| Cable Accessories - Table of Styles | 15-16 |
| Cable Accessories                   | 17-21 |

This catalogue to be used in conjunction with Catalogues:  
CE-2Pa – 62GB Series Plugs  
CE-2Ra – 62GB Series Receptacles

# Amphenol® 62GB solder connectors

This miniature bayonet lock connector series offers designers important features not found in any other range of connectors. The range has full qualification approval to British Standards Specification BS 9522 FOO 17 and British Defence Specification DEF STAN 59-35 (Part 3) Sec. 7.

62GB Series connectors - developed and manufactured entirely in the United Kingdom by Amphenol Limited. They are the first and only British connectors to have achieved this. A doubly strong position which Amphenol are well geared to handle. The manufacturing facilities of the Whitstable plant have been cited as exemplary in Europe. Certainly the layout is extensive and extremely efficient; safety awards have been attained every time returns have been submitted to the British Safety Council.

62GB Series connectors have been well established with Government authorities on an international scale and users can be found in Sweden, Denmark, Norway, Finland, Germany, Spain, Holland, India, Canada and Italy.

## Derating

Connectors must be derated under the following operating conditions:

1. At elevated ambient temperatures, the current ratings are reduced so that total maximum hot spot temperature of 125°C is not exceeded.
2. At high altitudes, revised voltage ratings become effective as shown on page 7.
3. When connectors to different specifications are intermated (e.g. BS 9522 FOO 17 and MIL-C26482), the combination must not be operated under conditions more severe than the less stringent clause of either specification.

Amphenol 62GB connectors are designed to meet the most stringent requirements of both specifications.

## Military Specifications

British Standards Specification BS 9522 FOO 17 closely corresponds to the United States Military Specification MIL-C-26482 solder terminations. Certain differences exist between the schedules which can be seen on pages 2 and 3.

Approved gauges are used to check interchangeability of 62GB series with other connectors manufactured to BS 9522 FOO 17 or MIL-C-26482.

## Basic Construction

62GB Series can be supplied in brass or stainless steel.

The normal shell finish used, which has a high resistance to corrosion, is zinc cobalt olive drab. Other finishes may be supplied to special order, such as cadmium plate which is available by adding deviation (714) to the end of part number.

Inserts are of polychloroprene rubber compounded to an Amphenol specification. Operating temperature range is -55°C to 125°C, and the connectors have gold-plated contacts designed for soldered connections. Configurations for size 20 contacts range between 2 contacts in the size 8 12.7mm (0.5in diameter) shell up to a maximum of 61 contacts in the size 2436.1 mm (1.5in diameter) shell. Intermediate sizes, and contact data for heavier current ratings are shown in the insert availability chart on page 6 and 7.

Hermetic connectors with glass sealed dielectric are manufactured with mild steel shells and nickel iron contacts plated tin over copper.

\* Other finishes are available on request.

## Protection Against Mis-Mating or Cross-Plugging

In BS 9522 FOO 17 positive shell-to-shell keying is provided with keys and keyways in a choice of either the normal (N) or any of the four preferred alternate positions: B, C, E and F. This prevents mismating between shells of different orientations and overcomes the difficulties associated with rotated inserts and a standard key-keyway orientation. In the latter system, damage to the inserts or contacts can result if excessive force is used to engage non-mating pairs.

Rotated inserts are, however, permissible in BS 9522 FOO 17 connectors if required to mate with or replace units to MIL-C-26482 mounted in existing equipment. Connectors have normal orientations manufactured to BS 9522 FOO 17 or MIL-C-26482 are fully intermateable as also are connectors with inserts in positions W, X, Y or Z.

# Schedule of Tests Required for Qualification Approval

| Tests  | Brief Description  |
|--|--|
| <b>Visual Examination</b><br><br><b>Dimensions, outline mass(including contacts) Compatability Gauging procedure</b> |  |
| <b>Polarization</b>  |  |
| <b>Engaging and separating force, connector</b>  | Engagement max: 0,90 Nm (8.0 lbf.in.) to 4,97 Nm (44 lbf.in.) according to shell size.<br>Separation min: 0,22 Nm (2.0 lbf.in.) to 1,58 Nm (14.0 lbf.in.) according to shell size. |
| <b>Contact Holding Force</b>   | 0,21 N (0.047 lbf) min.size 20<br>0,56 N (0.126 lbf)min. size 16   |
| <b>Sealing (air pressure)</b>  | Max leakage 28,53 uNm/s (1 cm3/h), 1 bar (14.5 p.s.i.) differential.   |
| <b>Sealing Hermetic</b>  | Hermetic receptacles have a max leak of 0.1 micron cubic foot per hour (1 x 10-6Cm3/s)   |
| <b>Contact Resistance</b>  | 5 milliohms max.   |
| <b>Housing (Shell) Continuity</b>  | 200 milliohms max. 5 milliohms max. grounding spring styles.   |
| <b>Insulation Resistance</b>   | 5,000 Megaohms at 500 - 50 V d.c.  |
| <b>Voltage Proof</b>   | See page 7. Duration 1 minute  |
| <b>Soldering</b>   | As BS 9520: 1974, Clause 1.2.6.6, Method 2.  |
| <b>Bumping</b>   | As BS 9520: 1974, Clause 1.2.6.1. 4,000 -10 bumps / 390m / s2 (40 gn).   |
| <b>Vibration</b>   | As BS 9520: 1974, Clause 1.2.6.2.1. Procedure A. 10 Hz to 5000 Hz, 0.75 mm / 10 gn.  |
| <b>Shock</b>   | As BS 9520: 1974, Clause 1.2.6.3. 981 m/s2 (100 g n).  |
| <b>Acceleration (Steady State)</b>   | As BS 9520: 1974, Clause 1.2.6.4. 490 m/s2 (50 gn).  |
| <b>Rapid Change of Temperature</b>   | As BS 9520: 1974, Clause 1.2.6.7. -550 C to - 1250 C.  |
| <b>Climatic Sequence</b>   | As BS 9520: 1974, Clause 1.2.6.11. Severity 55/125/56.   |
| <b>Flammability</b>  | As BS 9520: 1974, Clause 1.2.6.8. Direct flame applied, duration 1 minute.   |
| <b>Damp Heat (Steady State)</b>  | As BS 9520: 1974, Clause 1.2.6.14. Severity 56 days.   |










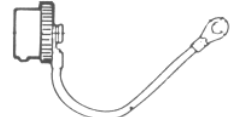
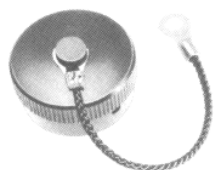


# Schedules of Tests Required for Qualification Approval

| Tests  | Brief Description   |
|--|---|
| <b>Immersion (at low air pressure)</b>                                   | 3 cycles at 30 mins each cycle, total immersion in water at pressure 44 m bar.                                  |
| <b>Mechanical Endurance</b>  | 500 operations minimum  |
| <b>High Temperature Endurance</b>  | Long term: 1,000 hrs. at 85°C ambient carrying the specified current. Short term: 250 hrs at 125°C, no current. |
| <b>Mould Growth</b>  | As BS 9520: 1983, Clause 1.2.6.16.<br>28 days duration.   |
| <b>Salt Mist</b>   | As BS 9520: 1983, Clause 1.2.6.17.<br>Severity 1.   |
| <b>Dust</b>  | As BS 9520: 1983, Clause 1.2.6.18<br>Exposure 30 minutes.   |
| <b>Robustness of Terminations</b>  | 44,5 N (10lbf) size 16<br>22,2 N (5 lbf) size 20  |
| <b>Contact Retention (in insert)</b>                                     | 67,0 N (15 lbf) min. size 20<br>112,0 N (25 lbf) min. size 16   |
| <b>Insert Retention (in shell)</b>                                       | 517 KN1m2 (751bf/in2) min.  |
| <b>Test Prod Damage</b>  | Moment: 0,056 Nm (0.5 lbf in) size 20<br>0,225 Nm (2 lbf in) size 16  |
| <b>Impact</b>  | Five impacts, drop height 1 m (3ft.3 in.).  |
| <b>Grounding Spring Holding Force Plugs with grounding springs only.</b> | 1,17 N (0.263 lbf) to 2,74 N (0.616 lbf) according to size.   |
| <b>Fluid Resistance</b>  | Immersion in 4 solvents and 9 fluids including aircraft fuels, lubricating oils and hydraulic fluids.           |
| <b>Compass Safe Distance</b>   | As BS 9520: 1974, Clause 1.2.5.11. 127 mm (5.0 in) min.   |



# Accessories

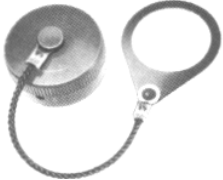
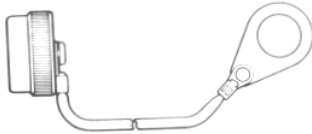





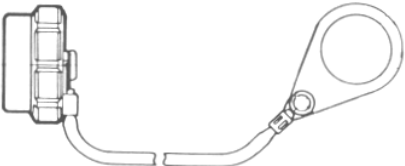
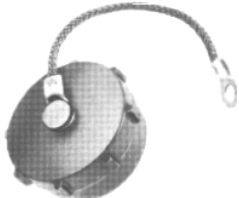

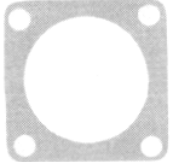
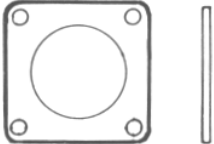
## Table of Styles

|          |   |  | Page No. |
|----------|---|--|----------|
| 62GB-736 |    |    | 42       |
| 62GB-737 |    |    | 42       |
| 62GB-738 |   |   | 43       |
| 62GB-742 |  |  | 43       |
| 62GB-810 |  |  | 44       |
| 62GB-812 |  |  | 44       |
| 62GB-813 |  |  | 45       |

# Accessories

## Table of Styles

Page No.

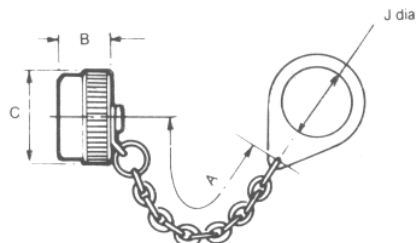
|           |   |  |    |
|-----------|---|--|----|
| 62GB-814  |    |    | 45 |
| 62GB-997  |    |    | 46 |
| 62GB-998  |   |  | 46 |
| 62GB-1069 |  |  | 47 |
| 62GB-1070 |  |  | 47 |
| 62GB-760  |  |  | 48 |

# Accessories

736



62GB-736



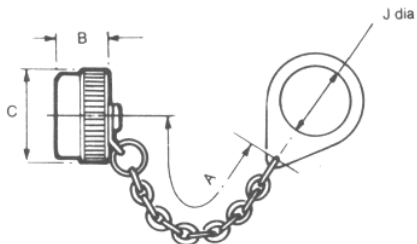
Caps and chains for single hole mounting receptacles

| Shell Size | A<br>± 0.25<br>(± 6.35) | B<br>± 0.005<br>(± 0.13) | C<br>dia<br>max | J<br>± 0.005<br>(± 0.127) |
|------------|-------------------------|--------------------------|-----------------|---------------------------|
| 08         | 3.0                     | 0.521                    | 0.734           | 0.578                     |
|            | 76.2                    | 13.23                    | 18.64           | 14.68                     |
| 10         | 3.0                     | 0.521                    | 0.859           | 0.703                     |
|            | 76.2                    | 13.23                    | 21.82           | 17.86                     |
| 12         | 3.5                     | 0.521                    | 1.000           | 0.891                     |
|            | 88.9                    | 13.23                    | 25.4            | 22.63                     |
| 14         | 3.5                     | 0.521                    | 1.125           | 1.016                     |
|            | 88.9                    | 13.23                    | 28.57           | 25.81                     |
| 16         | 3.5                     | 0.521                    | 1.250           | 1.141                     |
|            | 88.9                    | 13.23                    | 31.75           | 29.39                     |
| 18         | 3.5                     | 0.521                    | 1.375           | 1.266                     |
|            | 88.9                    | 13.23                    | 34.92           | 32.16                     |
| 20         | 4.0                     | 0.521                    | 1.500           | 1.391                     |
|            | 101.6                   | 13.23                    | 38.1            | 35.33                     |
| 22         | 4.0                     | 0.521                    | 1.625           | 1.516                     |
|            | 101.6                   | 13.23                    | 41.27           | 38.51                     |
| 24         | 4.0                     | 0.556                    | 1.750           | 1.641                     |
|            | 101.6                   | 14.12                    | 44.45           | 41.68                     |

737



62GB-737



Caps and chains for cable mounting receptacles.

| Shell Size | A<br>± 0.25<br>(± 6.35) | B<br>± 0.005<br>(± 0.13) | C<br>dia<br>max | J<br>± 0.005<br>(± 0.127) |
|------------|-------------------------|--------------------------|-----------------|---------------------------|
| 08         | 3.0                     | 0.521                    | 0.734           | 0.458                     |
|            | 76.2                    | 13.23                    | 18.64           | 11.63                     |
| 10         | 3.0                     | 0.521                    | 0.859           | 0.583                     |
|            | 76.2                    | 13.23                    | 21.82           | 14.81                     |
| 12         | 3.5                     | 0.521                    | 1.000           | 0.708                     |
|            | 88.9                    | 13.23                    | 25.4            | 17.98                     |
| 14         | 3.5                     | 0.521                    | 1.125           | 0.896                     |
|            | 88.9                    | 13.23                    | 28.57           | 22.76                     |
| 16         | 3.5                     | 0.521                    | 1.250           | 1.021                     |
|            | 88.9                    | 13.23                    | 31.75           | 25.93                     |
| 18         | 3.5                     | 0.521                    | 1.375           | 1.146                     |
|            | 88.9                    | 13.23                    | 34.92           | 29.11                     |
| 20         | 4.0                     | 0.521                    | 1.500           | 1.271                     |
|            | 101.6                   | 13.23                    | 38.1            | 32.28                     |
| 22         | 4.0                     | 0.521                    | 1.625           | 1.396                     |
|            | 101.6                   | 13.23                    | 41.27           | 35.46                     |
| 24         | 4.0                     | 0.556                    | 1.750           | 1.521                     |
|            | 101.6                   | 14.12                    | 44.45           | 38.63                     |

# Accessories



**62GB-738**

Caps and chains for flange mounting receptacles.

| Shell Size | A<br>± 0.25<br>(± 6.35) | B<br>± 0.005<br>(± 0.13) | C<br>dia<br>max | J<br>± 0.005<br>(± 0.127) |
|------------|-------------------------|--------------------------|-----------------|---------------------------|
| 08         | 3.0                     | 0.521                    | 0.734           | 0.125                     |
|            | 76.2                    | 13.23                    | 18.64           | 3.18                      |
| 10         | 3.0                     | 0.521                    | 0.859           | 0.125                     |
|            | 76.2                    | 13.23                    | 21.82           | 3.18                      |
| 12         | 3.5                     | 0.521                    | 1.000           | 0.125                     |
|            | 88.9                    | 13.23                    | 25.4            | 3.18                      |
| 14         | 3.5                     | 0.521                    | 1.125           | 0.125                     |
|            | 88.9                    | 13.23                    | 28.57           | 3.18                      |
| 16         | 3.5                     | 0.521                    | 1.250           | 0.125                     |
|            | 88.9                    | 13.23                    | 31.75           | 3.18                      |
| 18         | 3.5                     | 0.521                    | 1.375           | 0.125                     |
|            | 88.9                    | 13.23                    | 34.92           | 3.18                      |
| 20         | 4.0                     | 0.521                    | 1.500           | 0.125                     |
|            | 101.6                   | 13.23                    | 38.1            | 3.18                      |
| 22         | 4.0                     | 0.521                    | 1.625           | 0.125                     |
|            | 101.6                   | 13.23                    | 41.27           | 3.18                      |
| 24         | 4.0                     | 0.556                    | 1.750           | 0.152                     |
|            | 101.6                   | 14.12                    | 44.45           | 3.86                      |



**62GB-742**

Caps and chains for plugs.

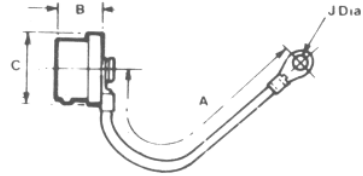
| Shell Size | A<br>± 0.25<br>(± 6.35) | B<br>± 0.005<br>(± 0.13) | C<br>dia<br>max | J<br>± 0.005<br>(± 0.127) |
|------------|-------------------------|--------------------------|-----------------|---------------------------|
| 08         | 3.0                     | 0.522                    | 0.719           | 0.125                     |
|            | 76.2                    | 13.25                    | 18.26           | 3.18                      |
| 10         | 3.0                     | 0.522                    | 0.844           | 0.125                     |
|            | 76.2                    | 13.25                    | 21.43           | 3.18                      |
| 12         | 3.5                     | 0.522                    | 1.000           | 0.125                     |
|            | 88.9                    | 13.25                    | 25.4            | 3.18                      |
| 14         | 3.5                     | 0.522                    | 1.125           | 0.125                     |
|            | 88.9                    | 13.25                    | 28.57           | 3.18                      |
| 16         | 3.5                     | 0.522                    | 1.250           | 0.125                     |
|            | 88.9                    | 13.25                    | 31.75           | 3.18                      |
| 18         | 3.5                     | 0.522                    | 1.357           | 0.125                     |
|            | 88.9                    | 13.25                    | 34.92           | 3.18                      |
| 20         | 4.0                     | 0.584                    | 1.500           | 0.125                     |
|            | 101.6                   | 14.83                    | 38.1            | 3.18                      |
| 22         | 4.0                     | 0.584                    | 1.625           | 0.125                     |
|            | 101.6                   | 14.83                    | 41.27           | 3.18                      |
| 24         | 4.0                     | 0.617                    | 1.750           | 0.152                     |
|            | 101.6                   | 15.67                    | 44.45           | 3.86                      |

# Accessories

810



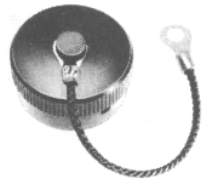
**62GB-810**  
**BS9522-F0017-A2012**



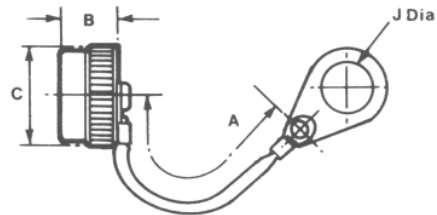
Caps and cords for plugs

| Shell Size | A<br>± 0.25<br>(± 6.35) | B<br>± 0.005<br>(± 0.13) | C<br>dia<br>max | J<br>± 0.003<br>(± 0.08) |
|------------|-------------------------|--------------------------|-----------------|--------------------------|
| 08         | 3.0<br>76.2             | 0.522<br>13.25           | 0.719<br>18.26  | 0.145<br>3.68            |
| 10         | 3.0<br>76.2             | 0.522<br>13.25           | 0.844<br>21.43  | 3.685<br>3.68            |
| 12         | 3.5<br>88.9             | 0.522<br>13.25           | 1.000<br>25.4   | 0.145<br>3.68            |
| 14         | 3.5<br>88.9             | 0.522<br>13.25           | 1.125<br>28.57  | 0.145<br>3.68            |
| 16         | 3.5<br>88.9             | 0.522<br>13.25           | 1.250<br>31.75  | 0.145<br>3.68            |
| 20         | 4.0<br>101.6            | 0.584<br>14.83           | 1.500<br>38.1   | 0.145<br>3.68            |
| 22         | 4.0<br>101.6            | 0.584<br>14.83           | 1.625<br>41.27  | 0.145<br>3.68            |
| 24         | 4.0<br>101.6            | 0.617<br>15.67           | 1.750<br>44.45  | 0.171<br>4.34            |

812



**62GB-812**  
**BS9522-F0017-A2013**



Caps and cords for flange mounting receptacles.

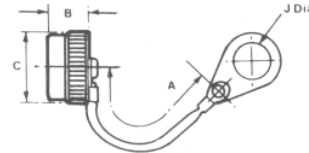
| Shell Size | A<br>± 0.25<br>(± 6.35) | B<br>± 0.005<br>(± 0.13) | C<br>dia<br>max | J<br>± 0.003<br>(± 0.08) |
|------------|-------------------------|--------------------------|-----------------|--------------------------|
| 08         | 3.0<br>76.2             | 0.521<br>13.23           | 0.734<br>18.64  | 0.145<br>3.68            |
| 10         | 3.0<br>76.2             | 0.521<br>13.23           | 0.859<br>21.82  | 0.145<br>3.68            |
| 12         | 3.5<br>88.9             | 0.521<br>13.23           | 1.000<br>25.4   | 0.145<br>3.68            |
| 14         | 3.5<br>88.9             | 0.521<br>13.23           | 1.125<br>28.57  | 0.145<br>3.68            |
| 16         | 3.5<br>88.9             | 0.521<br>13.23           | 1.250<br>31.75  | 0.145<br>3.68            |
| 18         | 3.5<br>88.9             | 0.521<br>13.23           | 1.375<br>34.92  | 0.145<br>3.68            |
| 20         | 4.0<br>101.6            | 0.521<br>13.23           | 1.500<br>38.1   | 0.145<br>3.68            |
| 22         | 4.0<br>101.6            | 0.521<br>13.23           | 1.625<br>41.27  | 0.145<br>3.68            |
| 24         | 4.0<br>101.6            | 0.556<br>14.12           | 1.750<br>44.45  | 0.171<br>4.34            |

# Accessories

813



**62GB-813**  
BS9522-F0017 A2014



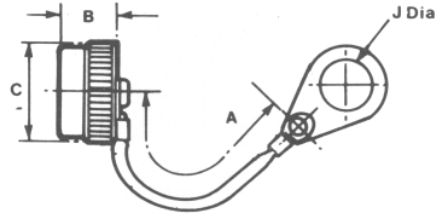
Caps and cords for single hole mounting receptacles.

| Shell Size | A<br>± 0.25<br>(± 6.35) | B<br>± 0.005<br>(± 0.13) | C<br>max | J<br>+ 0.010<br>(+ 0.25) |
|------------|-------------------------|--------------------------|----------|--------------------------|
| 08         | 3.0                     | 0.521                    | 0.734    | 0.578                    |
|            | 76.2                    | 13.23                    | 18.64    | 14.68                    |
| 10         | 3.0                     | 0.521                    | 0.859    | 0.703                    |
|            | 76.2                    | 13.23                    | 21.82    | 17.86                    |
| 12         | 3.5                     | 0.521                    | 1.000    | 0.891                    |
|            | 88.9                    | 13.23                    | 25.4     | 22.63                    |
| 14         | 3.5                     | 0.521                    | 1.125    | 1.016                    |
|            | 88.9                    | 13.23                    | 28.57    | 25.81                    |
| 16         | 3.5                     | 0.521                    | 1.250    | 1.141                    |
|            | 88.9                    | 13.23                    | 31.75    | 29.39                    |
| 18         | 3.5                     | 0.521                    | 1.375    | 1.266                    |
|            | 88.9                    | 13.23                    | 34.92    | 32.16                    |
| 20         | 4.0                     | 0.521                    | 1.500    | 1.391                    |
|            | 101.0                   | 13.23                    | 38.1     | 35.33                    |
| 22         | 4.0                     | 0.521                    | 1.625    | 1.516                    |
|            | 101.6                   | 13.23                    | 41.27    | 38.56                    |
| 24         | 4.0                     | 0.556                    | 1.750    | 1.641                    |
|            | 101.6                   | 14.12                    | 44.45    | 41.68                    |

814



**62GB-814**



Caps and cords for cable mounting receptacles.

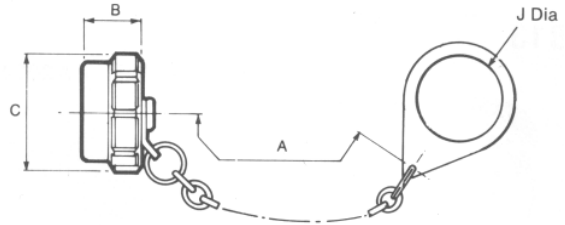
| Shell Size | A<br>± 0.25<br>(± 6.35) | B<br>± 0.005<br>(± 0.13) | C<br>max | J<br>+0.010<br>(+ 0.25) |
|------------|-------------------------|--------------------------|----------|-------------------------|
| 08         | 3.0                     | 0.521                    | 0.734    | 0.453                   |
|            | 76.2                    | 13.23                    | 18.64    | 11.50                   |
| 10         | 3.0                     | 0.521                    | 0.859    | 0.578                   |
|            | 76.2                    | 13.23                    | 21.82    | 14.64                   |
| 12         | 3.5                     | 0.521                    | 1.000    | 0.703                   |
|            | 88.9                    | 13.23                    | 25.4     | 17.85                   |
| 14         | 3.5                     | 0.521                    | 1.125    | 0.891                   |
|            | 88.9                    | 13.23                    | 28.57    | 22.63                   |
| 16         | 3.5                     | 0.521                    | 1.250    | 1.016                   |
|            | 88.9                    | 13.23                    | 31.75    | 25.80                   |
| 18         | 3.5                     | 0.521                    | 1.375    | 1.141                   |
|            | 88.9                    | 13.23                    | 34.92    | 28.98                   |
| 20         | 4.0                     | 0.521                    | 1.500    | 1.266                   |
|            | 101.6                   | 13.23                    | 38.1     | 32.15                   |
| 22         | 4.0                     | 0.521                    | 1.625    | 1.391                   |
|            | 101.6                   | 13.23                    | 41.27    | 35.33                   |
| 24         | 4.0                     | 0.556                    | 1.750    | 1.516                   |
|            | 101.6                   | 14.12                    | 44.45    | 38.50                   |

# Accessories

997



62GB-997



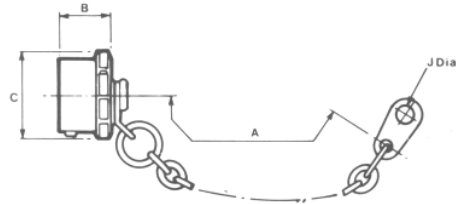
Caps and chains ribbed for single hole mounting receptacles.

| Shell Size | A<br>± 0.25<br>(± 6.35) | B<br>± 0.005<br>(± 0.13) | C<br>dia<br>max | J<br>+ 0.010<br>(+ 0.25) |
|------------|-------------------------|--------------------------|-----------------|--------------------------|
| 08         | 3.0<br>76.2             | 0.521<br>13.23           | 0.892<br>22.66  | 0.578<br>14.69           |
| 10         | 3.0<br>76.2             | 0.521<br>13.23           | 1.017<br>26.84  | 0.703<br>17.86           |
| 12         | 3.5<br>88.9             | 0.521<br>13.23           | 1.142<br>29.01  | 0.891<br>22.64           |
| 14         | 3.5<br>88.9             | 0.521<br>13.23           | 1.267<br>32.19  | 1.016<br>25.81           |
| 16         | 3.5<br>88.9             | 0.521<br>13.23           | 1.454<br>36.94  | 1.141<br>28.99           |
| 18         | 3.5<br>88.9             | 0.521<br>13.23           | 1.563<br>39.70  | 1.266<br>32.16           |
| 20         | 4.0<br>101.6            | 0.521<br>13.23           | 1.687<br>42.85  | 1.391<br>35.34           |
| 22         | 4.0<br>101.6            | 0.521<br>13.23           | 1.797<br>45.65  | 1.516<br>38.51           |
| 24         | 4.0<br>101.6            | 0.556<br>14.12           | 1.922<br>48.82  | 1.641<br>41.69           |

998



62GB-998



Caps and chains ribbed for plugs.

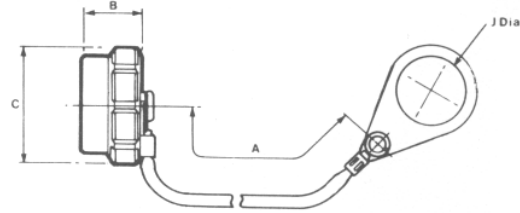
| Shell Size | A<br>± 0.25<br>(± 6.35) | g<br>max       | C<br>dia<br>max | J<br>± 0.005<br>(± 0.13) |
|------------|-------------------------|----------------|-----------------|--------------------------|
| 08         | 3.0<br>76.2             | 0.562<br>14.28 | 0.892<br>22.66  | 0.125<br>3.18            |
| 10         | 3.0<br>76.2             | 0.562<br>14.28 | 1.017<br>25.84  | 0.125<br>3.18            |
| 12         | 3.5<br>88.9             | 0.562<br>14.28 | 1.142<br>29.01  | 0.125<br>3.18            |
| 14         | 3.5<br>88.9             | 0.562<br>14.28 | 1.267<br>32.19  | 0.125<br>3.18            |
| 16         | 3.5<br>88.9             | 0.562<br>14.28 | 1.454<br>36.94  | 0.125<br>3.18            |
| 18         | 3.5<br>88.9             | 0.562<br>14.28 | 1.563<br>39.70  | 0.125<br>3.18            |
| 20         | 4.0<br>101.6            | 0.624<br>15.85 | 1.687<br>42.85  | 0.125<br>3.18            |
| 22         | 4.0<br>101.6            | 0.624<br>15.85 | 1.797<br>45.65  | 0.125<br>3.18            |
| 24         | 4.0<br>101.6            | 0.624<br>15.85 | 1.922<br>48.82  | 0.147<br>3.74            |

# Accessories

1069



62GB-1069



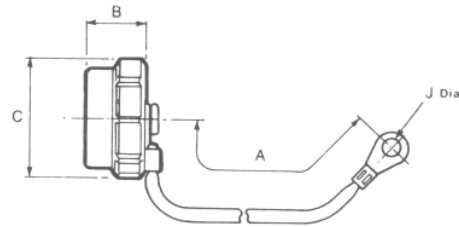
Caps and cords ribbed for single hole mounting receptacles.

| Shell Size | A<br>± 0.25<br>(± 6.35) | B<br>± 0.005<br>(± 0.13) | C<br>dia<br>max | J<br>+ 0.010<br>(+ 0.25) |
|------------|-------------------------|--------------------------|-----------------|--------------------------|
| 08         | 3.0<br>76.2             | 0.521<br>13.23           | 0.892<br>22.66  | 0.578<br>14.69           |
| 10         | 8.0<br>76.2             | 0.521<br>13.23           | 1.017<br>26.84  | 0.703<br>17.86           |
| 12         | 3.5<br>88.9             | 0.521<br>13.23           | 1.142<br>29.01  | 0.891<br>22.64           |
| 14         | 3.5<br>88.9             | 0.521<br>13.23           | 1.267<br>32.19  | 1.016<br>25.81           |
| 16         | 3.5<br>88.9             | 0.521<br>13.23           | 1.454<br>36.94  | 1.141<br>28.99           |
| 18         | 3.5<br>88.9             | 0.521<br>13.23           | 1.563<br>39.70  | 1.266<br>32.16           |
| 20         | 4.0<br>101.6            | 0.521<br>13.23           | 1.687<br>42.85  | 1.391<br>35.34           |
| 22         | 4.0<br>101.6            | 0.521<br>13.23           | 1.797<br>45.65  | 1.516<br>38.51           |
| 24         | 4.0<br>101.6            | 0.556<br>14.12           | 1.922<br>48.82  | 1.641<br>41.686          |

1070



62GB-1070



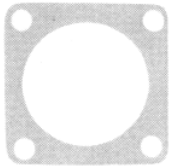
Caps and cords ribbed for flange mounting receptacles.

| Shell Size | A<br>± 0.25<br>(± 6.35) | B<br>± 0.005<br>(± 0.13) | C<br>Dia<br>max | J<br>± 0.005<br>(± 0.13) |
|------------|-------------------------|--------------------------|-----------------|--------------------------|
| 08         | 3.0<br>76.2             | 0.521<br>13.23           | 0.892<br>22.66  | 0.117<br>3.03            |
| 10         | 3.0<br>76.2             | 0.521<br>13.23           | 1.017<br>22.66  | 0.119<br>3.03            |
| 12         | 3.5<br>88.9             | 0.521<br>13.23           | 1.142<br>29.01  | 0.119<br>3.03            |
| 14         | 3.5<br>88.9             | 0.521<br>13.23           | 1.267<br>32.19  | 0.119<br>3.03            |
| 16         | 3.5<br>88.9             | 0.521<br>13.23           | 1.454<br>36.94  | 0.119<br>3.03            |
| 18         | 3.5<br>88.9             | 0.521<br>13.23           | 1.563<br>39.70  | 0.119<br>3.03            |
| 20         | 4.0<br>101.6            | 0.521<br>13.23           | 1.687<br>42.85  | 0.119<br>3.03            |
| 22         | 4.0<br>101.6            | 0.521<br>13.23           | 1.797<br>45.65  | 0.119<br>3.03            |
| 24         | 4.0<br>101.6            | 0.556<br>14.12           | 1.922<br>48.82  | 0.147<br>3.74            |



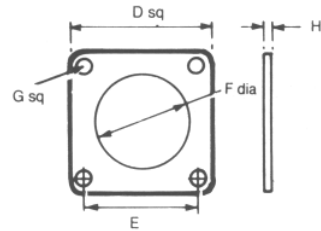
# Accessories

760



62GB-760

Flange mounting gasket for box mounting and hermetic receptacles.




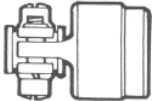





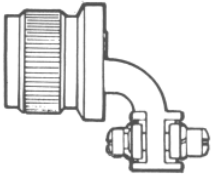

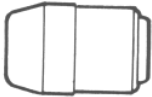

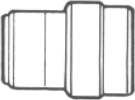


| Shell Size | 0<br>± 0.010<br>(± 0.254) | E<br>± 0.010<br>(± 0.254) | F<br>± 0.008<br>(± 0.20) | G<br>+ 0.010<br>(+ 0.254) | H             |
|------------|---------------------------|---------------------------|--------------------------|---------------------------|---------------|
| 08         | 0.812                     | 0.594                     | 0.508                    | 0.130                     | 0.042 / 0.016 |
|            | 20.62                     | 15.08                     | 12.90                    | 3.30                      | 1.06 / 0.40   |
| 10         | 0.938                     | 0.719                     | 0.633                    | 0.130                     | 0.042 / 0.016 |
|            | 23.82                     | 18.26                     | 16.07                    | 3.30                      | 1.06 / 0.40   |
| 12         | 1.031                     | 0.813                     | 0.758                    | 0.130                     | 0.042 / 0.016 |
|            | 26.18                     | 20.65                     | 19.25                    | 3.30                      | 1.06 / 0.40   |
| 14         | 1.125                     | 0.906                     | 0.883                    | 0.130                     | 0.042 / 0.016 |
|            | 28.57                     | 23.01                     | 22.42                    | 3.30                      | 1.06 / 0.40   |
| 16         | 1.219                     | 0.969                     | 1.008                    | 0.130                     | 0.042 / 0.016 |
|            | 30.96                     | 24.61                     | 25.60                    | 3.30                      | 1.06 / 0.40   |
| 18         | 1.312                     | 1.063                     | 1.133                    | 0.130                     | 0.042 / 0.016 |
|            | 33.32                     | 27.00                     | 28.77                    | 3.30                      | 1.06 / 0.40   |
| 20         | 1.438                     | 1.156                     | 1.258                    | 0.130                     | 0.042 / 0.016 |
|            | 36.52                     | 29.36                     | 31.95                    | 3.30                      | 1.06 / 0.40   |
| 22         | 1.563                     | 1.250                     | 1.383                    | 0.130                     | 0.042 / 0.016 |
|            | 39.70                     | 31.75                     | 35.13                    | 3.30                      | 1.06 / 0.40   |
| 24         | 1.688                     | 1.375                     | 1.508                    | 0.156                     | 0.042 / 0.016 |
|            | 42.87                     | 34.92                     | 38.30                    | 3.96                      | 1.06 / 0.40   |

# Cable Accessories

## Table of Styles


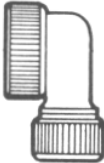

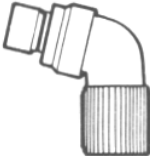
Page No.

|          |   |  |    |
|----------|---|--|----|
| 62GB-584 |    |   | 51 |
| 62GB-585 |    |    | 51 |
| 62GB-586 |   |   | 52 |
| 62GB-587 |  |  | 52 |
| 62GB-711 |  |  | 53 |
| 62GB-720 |  |  | 53 |
| 62GB-776 |  |  | 54 |

# Cable Accessories

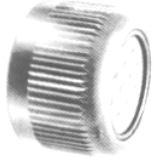
## Table of Styles

Page No.

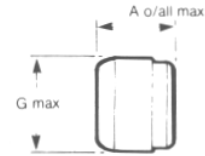
|           |   |  |    |
|-----------|---|--|----|
| 62GB-1225 |  |  | 54 |
| 62GB-5028 |  |  | 55 |

# Cable Accessories

584



**62GB - 584 - XX - XXS or P**  
**BS 9522 FOO 17 A2102**



Grommet seal and nut. Provides an environmental seal for the exposed solder buckets in the openback class T shells.

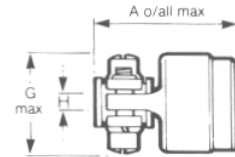
**Suffix XX - XXS or P enables grommet to be matched to the insert arrangement.**

| Shell Size | A     | G max |
|------------|-------|-------|
| 08         | 0.545 | 0.561 |
|            | 13.84 | 14.25 |
| 10         | 0.545 | 0.686 |
|            | 13.84 | 17.43 |
| 12         | 0.545 | 0.811 |
|            | 13.84 | 20.60 |
| 14         | 0.545 | 0.936 |
|            | 13.84 | 23.78 |
| 16         | 0.545 | 1.061 |
|            | 13.84 | 26.95 |
| 18         | 0.545 | 1.186 |
|            | 13.84 | 30.13 |
| 20         | 0.545 | 1.311 |
|            | 13.84 | 33.30 |
| 22         | 0.545 | 1.436 |
|            | 13.84 | 36.75 |
| 24         | 0.501 | 1.561 |
|            | 12.73 | 39.65 |

585



**62G B - 585 - XX - XXS or P**  
**BS9522 FOO 17 A2103**



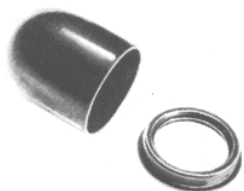
Grommet and nut with strain relief clamp. The clamp prevents the flexing of the wires in the immediate vicinity of the risers, so avoiding the risk of leaks.

**Suffix XX - XXS or P enables grommet to be matched to the insert arrangement.**

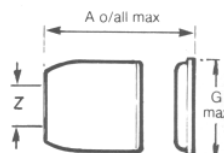
| Shell Size | A max | G max | max   |
|------------|-------|-------|-------|
| 08         | 0.991 | 0.828 | 0.161 |
|            | 25.17 | 21.03 | 4.09  |
| 10         | 0.991 | 0.891 | 0.193 |
|            | 25.17 | 22.63 | 4.90  |
| 12         | 0.991 | 1.016 | 0.317 |
|            | 25.17 | 25.81 | 8.05  |
| 14         | 0.965 | 1.141 | 0.380 |
|            | 24.51 | 28.98 | 9.65  |
| 16         | 1.105 | 1.203 | 0.505 |
|            | 28.07 | 30.56 | 12.83 |
| 18         | 1.105 | 1.426 | 0.630 |
|            | 28.07 | 36.22 | 16.00 |
| 20         | 1.285 | 1.426 | 0.630 |
|            | 32.64 | 36.22 | 16.00 |
| 22         | 1.285 | 1.567 | 0.755 |
|            | 32.64 | 39.80 | 19.18 |
| 24         | 1.373 | 1.735 | 0.805 |
|            | 34.88 | 44.07 | 20.45 |

# Cable Accessories

586



62G B - 586 - XX



Potting mould and ring, supplied together as a set.

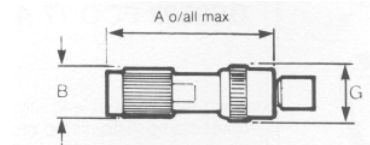
Suffix XX specifies shell size.

| Shell Size | A max | G max | Z min |
|------------|-------|-------|-------|
| 08         | 0.644 | 0.585 | 0.260 |
|            | 16.36 | 14.85 | 6.60  |
| 10         | 0.753 | 0.679 | 0.463 |
|            | 19.13 | 17.24 | 11.76 |
| 12         | 0.722 | 0.835 | 0.557 |
|            | 18.34 | 21.20 | 14.14 |
| 14         | 0.722 | 0.913 | 0.590 |
|            | 18.34 | 23.19 | 14.98 |
| 16         | 0.722 | 1.038 | 0.713 |
|            | 18.34 | 26.36 | 18.11 |
| 18         | 0.722 | 1.163 | 0.835 |
|            | 18.34 | 29.54 | 21.20 |
| 20         | 0.877 | 1.288 | 1.015 |
|            | 22.30 | 32.71 | 25.78 |
| 22         | 0.877 | 1.413 | 1.015 |
|            | 22.30 | 35.89 | 25.78 |
| 24         | 0.896 | 1.538 | 1.263 |
|            | 22.76 | 39.06 | 32.08 |

587



62G B - 587 - XX - XXS or P



Clamp for screened jacketed cable. 62 Series only with grommet. Effective sealing is provided over the range of cables covered by DEF 10(Pattern C) and DEF STAN 61-12 port (see table). These are supplied to separate order only for use with style T shells.

Suffix XX-XXS or P enables grommet to be matched to the insert arrangement.

| Shell Size | length Including plug | A Max | length Including receptacle | B max | G max |
|------------|-----------------------|-------|-----------------------------|-------|-------|
| 08         | 2.732                 | 2.742 | 2.742                       | 0.676 | 0.775 |
|            | 69.39                 | 69.64 | 69.64                       | 17.17 | 19.68 |
| 10         | 2.742                 | 2.752 | 2.752                       | 0.676 | 0.902 |
|            | 69.64                 | 69.90 | 69.90                       | 17.17 | 22.91 |
| 12         | 3.152                 | 3.162 | 3.162                       | 0.812 | 1.030 |
|            | 80.06                 | 80.31 | 80.31                       | 20.62 | 26.16 |
| 14         | 3.152                 | 3.162 | 3.162                       | 0.926 | 1.157 |
|            | 80.06                 | 80.31 | 80.31                       | 23.52 | 29.39 |
| 16         | 3.272                 | 3.282 | 3.282                       | 1.051 | 1.284 |
|            | 83.10                 | 83.36 | 83.36                       | 26.67 | 32.61 |
| 18         | -                     | -     | -                           | -     | -     |
|            | -                     | -     | -                           | -     | -     |
| 20         | 3.272                 | 3.345 | 3.345                       | 1.280 | 1.539 |
|            | 83.10                 | 84.96 | 84.96                       | 32.51 | 39.09 |
| 22         | -                     | -     | -                           | -     | -     |
|            | -                     | -     | -                           | -     | -     |
| 24         | 3.696                 | 3.768 | 3.768                       | 1.620 | 1.783 |
|            | 93.87                 | 95.70 | 95.70                       | 41.15 | 45.29 |

# Cable Accessories

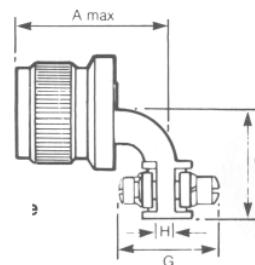
711



62G B - 711 - XX - XXS or P

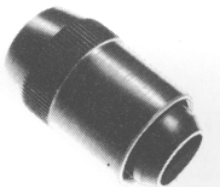
Grommet and nut with right angled strain relief clamp. The clamp prevents flexing of the wires in the immediate vicinity of the risers, so avoiding the risk of leaks (these are supplied to separate order only for use with style T shells).

Suffix XX - XXS or P enables grommet to be matched to the insert arrangement.



| Shell Size | A max   | G max | H<br>± 0.005<br>± 0.13 | Q max |
|------------|---------|-------|------------------------|-------|
| 08         | 1.5/32  | 0.828 | 0.161                  | 0.733 |
|            |         | 21.03 | 4.09                   | 18.62 |
| 10         | 1.3/16  | 0.891 | 0.193                  | 0.795 |
|            |         | 22.63 | 4.90                   | 20.19 |
| 12         | 1.7/32  | 1.016 | 0.317                  | 0.858 |
|            |         | 25.81 | 8.05                   | 21.79 |
| 14         | 1.1/4   | 1.141 | 0.380                  | 0.915 |
|            |         | 28.98 | 9.65                   | 23.24 |
| 16         | 1.5/16  | 1.203 | 0.505                  | 1.010 |
|            |         | 30.56 | 12.83                  | 25.65 |
| 18         | 1.3/8   | 1.426 | 0.630                  | 1.070 |
|            |         | 36.22 | 16.00                  | 27.18 |
| 20         | 1.3/8   | 1.426 | 0.630                  | 1.140 |
|            |         | 36.22 | 16.00                  | 28.96 |
| 22         | 1.29/64 | 1.567 | 0.755                  | 1.170 |
|            |         | 39.80 | 19.18                  | 29.72 |
| 24         | 1.15/32 | 1.735 | 0.805                  | 1.260 |
|            |         | 44.07 | 20.45                  | 32.00 |

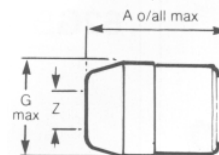
720



62G B - 720 - XX

Clamp for unscreened jacketed cable. No grommet is supplied, for use with 50T, 51T and 56T styles.

Suffix XX specifies shell size.



| Shell Size | A max | G max | Z closed | Z free |
|------------|-------|-------|----------|--------|
| 08         | 1.085 | 0.561 | 0.168    | 0.230  |
|            | 27.56 | 14.25 | 4.28     | 5.84   |
| 10         | 1.060 | 0.686 | 0.205    | 0.312  |
|            | 26.92 | 17.43 | 5.21     | 7.93   |
| 12         | 1.160 | 0.811 | 0.338    | 0.442  |
|            | 29.46 | 20.60 | 8.59     | 11.23  |
| 14         | 1.360 | 0.936 | 0.416    | 0.539  |
|            | 34.54 | 23.78 | 10.57    | 13.69  |
| 16         | 1.585 | 1.061 | 0.550    | 0.616  |
|            | 40.26 | 26.95 | 13.97    | 15.65  |
| 18         | 1.785 | 1.186 | 0.600    | 0.672  |
|            | 45.34 | 30.13 | 15.24    | 17.57  |
| 20         | 1.981 | 1.311 | 0.635    | 0.747  |
|            | 50.32 | 33.30 | 16.13    | 18.98  |
| 22         | 2.181 | 1.436 | 0.670    | 0.846  |
|            | 55.39 | 36.75 | 17.02    | 21.49  |
| 24         | 2.216 | 1.561 | 0.740    | 0.894  |
|            | 56.28 | 39.65 | 18.80    | 22.71  |

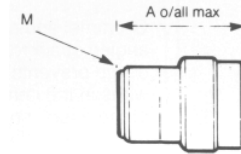
# Cable Accessories

**776**



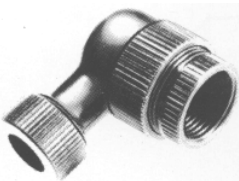
**62GB - 776**

General duty shell to accept conduit, AN 3057 or MS 3057 A cable clamps and heat shrink sleeves.



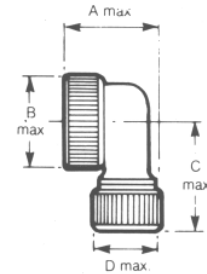
| Shell Size | A max | M Thread        |
|------------|-------|-----------------|
| 08         | 0.937 | 1/2 - 28 UNEF   |
|            | 23.80 |                 |
| 10         | 0.937 | 5/8 - 24 NEF    |
|            | 23.80 |                 |
| 12         | 0.937 | 3/4 - 20 UNEF   |
|            | 23.80 |                 |
| 14         | 0.937 | 7/8 - 20 UNEF   |
|            | 23.80 |                 |
| 16         | 0.937 | 1 - 20 UNEF     |
|            | 23.80 |                 |
| 18         | 0.937 | 1.3/16 - 18 NEF |
|            | 23.80 |                 |
| 20         | 0.937 | 1.3/16 - 18 NEF |
|            | 23.80 |                 |
| 22         | 0.937 | 1.7/16 - 18 NEF |
|            | 23.80 |                 |
| 24         | 0.937 | 1.7/16 - 18 NEF |
|            | 23.80 |                 |

**1225**



**62GB - 1225**

90° clamp for screened jacketed cable. These are supplied to separate order only for use with style T shells.



| Shell Size | A max | B max | C max | D max |
|------------|-------|-------|-------|-------|
| 08         | 0.942 | 0.821 | 1.160 | 0.636 |
|            | 23.93 | 20.85 | 29.46 | 16.15 |
| 10         | 0.883 | 0.821 | 1.160 | 0.636 |
|            | 22.43 | 20.85 | 29.46 | 16.15 |
| 12         | 0.704 | 0.821 | 1.160 | 0.636 |
|            | 17.88 | 20.85 | 29.46 | 16.15 |
| 14         | 1.119 | 0.937 | 1.160 | 0.636 |
|            | 28.42 | 23.80 | 29.46 | 16.15 |

# Cable Accessories

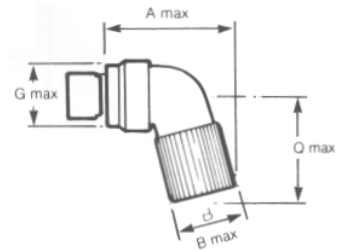
5028



62G B - 5028 - XX - XXS or P

75% Clamp for screened jacketed cable with grommet. Effective sealing is provided over the range of cables covered by DEF 10 (Pattern C) and DEF STAN 61 - 12 part 5 (see table). These are supplied to separate order only and are intended for use with style T shells.

**Suffix XX-XXS or P enables grommet to be matched to the insert arrangement.**



| Shell Size | length including receptacle | A Max | length including plug | B max | G max | max   |
|------------|-----------------------------|-------|-----------------------|-------|-------|-------|
| 08         | 2.416                       | -     | 2.375                 | 0.676 | 0.775 | 1.750 |
|            | 61.37                       |       | 60.24                 | 17.17 | 19.68 | 44.45 |
| 10         | 2.573                       | -     | 2.532                 | 0.676 | 0.902 | 1.875 |
|            | 65.35                       |       | 64.39                 | 17.17 | 22.91 | 47.63 |
| 12         | 2.666                       | -     | 2.625                 | 0.812 | 1.030 | 2.125 |
|            | 67.72                       |       | 66.68                 | 20.62 | 26.16 | 53.98 |
| 14         | 2.760                       | -     | 2.719                 | 0.926 | 1.157 | 2.125 |
|            | 70.10                       |       | 69.04                 | 23.52 | 29.39 | 53.98 |
| 16         | 2.790                       | -     | 2.750                 | 1.051 | 1.284 | 2.062 |
|            | 70.87                       |       | 69.80                 | 26.70 | 32.61 | 52.38 |
| 18         | -                           | -     | -                     | -     | -     | -     |
| 20         | 3.312                       | -     | 3.250                 | 1.280 | 1.539 | 2.062 |
|            | 84.13                       |       | 82.55                 | 32.51 | 39.09 | 52.38 |
| 22         | -                           | -     | -                     | -     | -     | -     |
| 24         | 3.500                       | -     | 3.375                 | 1.620 | 1.783 | 2.187 |
|            | 88.90                       |       | 85.73                 | 41.15 | 45.29 | 55.55 |



