

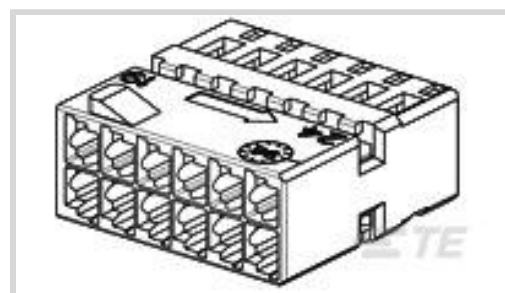
**MQS**

TE Internal #: 2-968318-1

Housing for Female Terminals, Wire-to-Board, 12 Position, 2.54 mm [.1 in] Centerline, Gray, Wire & Cable, Signal, Cable Mount (Free-Hanging)

[View on TE.com >](#)

Connectors > Automotive Connectors > Automotive Housings > MQS, CONNECTOR HOUSING

Connector System: **Wire-to-Board**Number of Positions: **12**Connector & Housing Type: **Housing for Female Terminals**Centerline (Pitch): **2.54 mm [.1 in]**Sealable: **No**
[All MQS, CONNECTOR HOUSING \(360\)](#)
Features**Product Type Features**

Mixed & Hybrid Connector	No
Connector Shape	Rectangular
Connector System	Wire-to-Board
Connector & Housing Type	Housing for Female Terminals
Sealable	No
Connector & Contact Terminates To	Wire & Cable
Primary Locking Feature	On the Terminal

Configuration Features

Number of Positions	12
Number of Rows	2

Electrical Characteristics

Nominal Voltage Architecture	50 V
------------------------------	------

Body Features

Cable Exit Angle	180°
Primary Product Color	Gray
Connector & Keying Code	B



Contact Features

Contact Size	.63mm
Contact Type	Receptacle
Mating Tab Width	.63 mm[.025 in]
Contact Current Rating (Max)	7.5 A

Mechanical Attachment

Terminal Position Assurance	Yes
Strain Relief	Without
Mating Alignment Type	Keyed
Mating Alignment	With
Connector Mounting Type	Cable Mount (Free-Hanging)

Housing Features

Housing Material	PBT GF
Centerline (Pitch)	2.54 mm[.1 in]

Dimensions

Connector Height	16 mm[.63 in]
Product Width	7.9 mm[.311 in]
Product Length	16.51 mm[.65 in]
Row-to-Row Spacing	6 mm[.236 in]

Usage Conditions

Operating Temperature (Max)	120 °C[248 °F]
Operating Temperature Range	-40 – 120 °C[-40 – 248 °F]

Operation/Application

Circuit Application	Signal
---------------------	--------

Packaging Features

Packaging Quantity	3000
Packaging Method	Bag

Other

Serviceable	No
Connector Position Assurance Capable	No

Product Compliance



[For compliance documentation, visit the product page on TE.com>](#)

EU RoHS Directive 2011/65/EU	Compliant
EU ELV Directive 2000/53/EC	Compliant
China RoHS 2 Directive MIIT Order No 32, 2016	No Restricted Materials Above Threshold
EU REACH Regulation (EC) No. 1907/2006	Current ECHA Candidate List: JUNE 2024 (241) Candidate List Declared Against: JUNE 2024 (241) Does not contain REACH SVHC
Halogen Content	Low Halogen - Br, Cl, F, I < 900 ppm per homogenous material. Also BFR/CFR/PVC Free
Solder Process Capability	Not applicable for solder process capability

Product Compliance Disclaimer

This information is provided based on reasonable inquiry of our suppliers and represents our current actual knowledge based on the information they provided. This information is subject to change. The part numbers that TE has identified as EU RoHS compliant have a maximum concentration of 0.1% by weight in homogenous materials for lead, hexavalent chromium, mercury, PBB, PBDE, DBP, BBP, DEHP, DIBP, and 0.01% for cadmium, or qualify for an exemption to these limits as defined in the Annexes of Directive 2011/65/EU (RoHS2). Finished electrical and electronic equipment products will be CE marked as required by Directive 2011/65/EU. Components may not be CE marked. Additionally, the part numbers that TE has identified as EU ELV compliant have a maximum concentration of 0.1% by weight in homogenous materials for lead, hexavalent chromium, and mercury, and 0.01% for cadmium, or qualify for an exemption to these limits as defined in the Annexes of Directive 2000/53/EC (ELV). Regarding the REACH Regulation, the information TE provides on SVHC in articles for this part number is based on the latest European Chemicals Agency (ECHA) 'Guidance on requirements for substances in articles' posted at this URL: <https://echa.europa.eu/guidance-documents/guidance-on-reach>

Compatible Parts



Customers Also Bought



TE Part #2-968326-1
MQS, CONNECTOR HOUSING



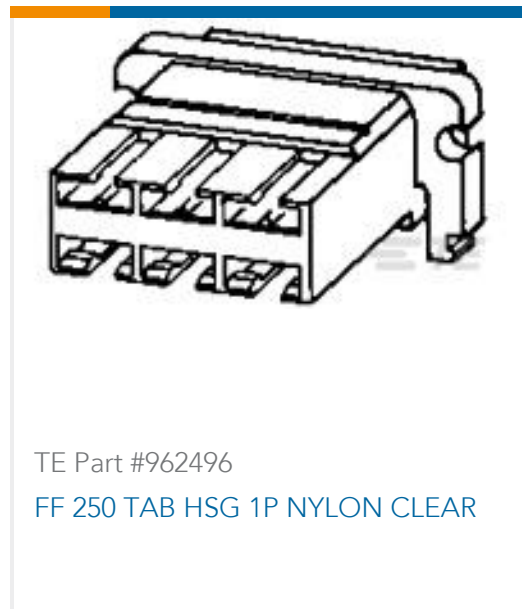
TE Part #1-1394155-4
40pos MQS .63 header 90deg



TE Part #1355289-2
MCP9,5BU-GEH2P,GRAU



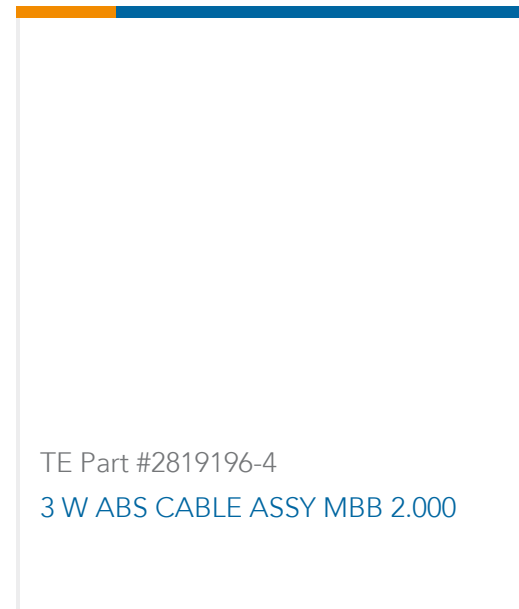
TE Part #1452015-2
2X6UNS.FEM ASSY"B"



TE Part #962496
FF 250 TAB HSG 1P NYLON CLEAR



TE Part #2-2819195-6
2 W ABS CABLE ASSY MBB 10.000



TE Part #2819196-4
3 W ABS CABLE ASSY MBB 2.000

Documents

Product Drawings

12POS MQS REC COD B

German

CAD Files

Customer View Model

[ENG_CVM_CVM_2-968318-1_A.2d_dxf.zip](#)

English

3D PDF

3D

Customer View Model

[ENG_CVM_CVM_2-968318-1_A.3d_igs.zip](#)

English

Customer View Model

[ENG_CVM_CVM_2-968318-1_A.3d_stp.zip](#)

English

By downloading the CAD file I accept and agree to the [Terms and Conditions](#) of use.

Product Specifications

STEUERGERATESTECKER 134-POL. MICRO QUADLOCK SYSTEM JUNIOR POWER TIMER

English

Product Specification

English