

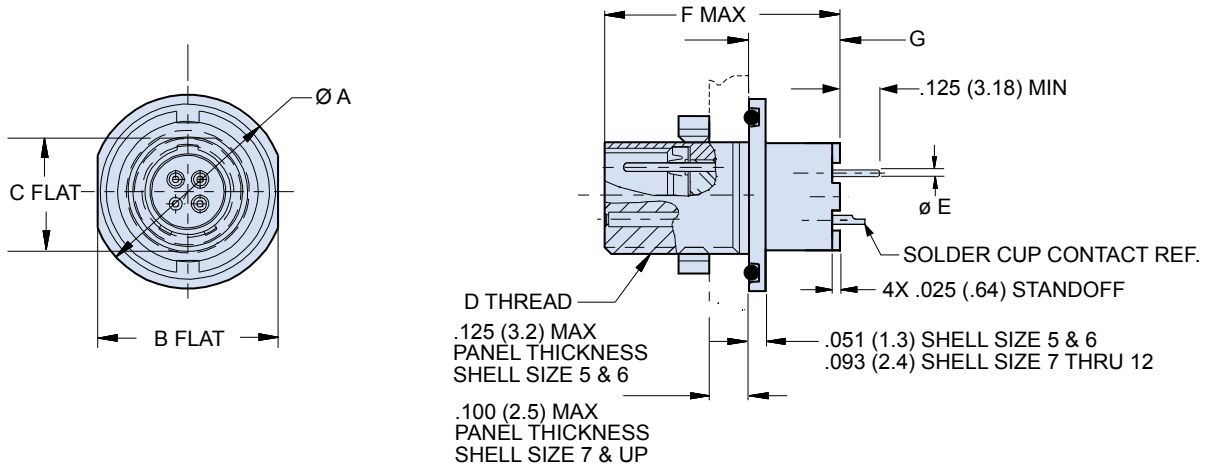


Series 800 Mighty Mouse UN Mating Thread  
PC Tail or Solder Cup PCB Receptacle  
800-012 and 800-040 Dimensions



Series 800

**Jam nut mount receptacle - shell style 07**



Dimensions												
Shell Size	Ø A		B Flat		C Flat		D Threads Mating	Ø E Tail Dia.	F Max		G	
	In.	Mm.	In.	Mm.	In.	Mm.			In.	Mm.	In.	Mm.
5	.541	13.74	.500	12.70	.285	7.24	.3125-28 Un-2A	#23 .018/.022 (0.46/0.56)	.725	18.42	.247	6.27
6	.610	15.49	.562	14.27	.352	8.94	.3750-28 Un-2A		.725	18.42	.247	6.27
7	.670	17.02	.635	16.13	.411	10.44	.4375-28 Unef-2A	#20 .024/.028 (0.61/0.71)	.700	17.78	.205	5.21
8	.775	19.69	.735	18.67	.473	12.01	.5000-32 Un-2A		.700	17.78	.205	5.21
9	.875	22.23	.806	20.47	.530	13.46	.5625-32 Un-2A	#16 .060/.064 (1.52/1.63)	.700	17.78	.205	5.21
10	.980	24.89	.940	23.88	.604	15.34	.6250-32 Un-2A		.700	17.78	.205	5.21
12	1.062	26.97	.986	25.04	.712	18.08	.7500-28 Un-2A	#12 .092/.096 (2.34/2.44)	.700	17.78	.205	5.21

Table II: Shell Key Positions			
Key Position	Key Rotation	Shell Size 5 and 6 Key Positions	Shell Size 7 thru 12 Key Positions
<b>N</b> Normal	150°		
<b>X</b>	140°		
<b>Y</b>	130°		
<b>Z</b>	120°		
<p>Shell size 5 and 6: master key is located at top dead center for normal (N) position.</p> <p>Shell size 7 thru 12: master key is rotated 90° from TDC for normal position.</p>			

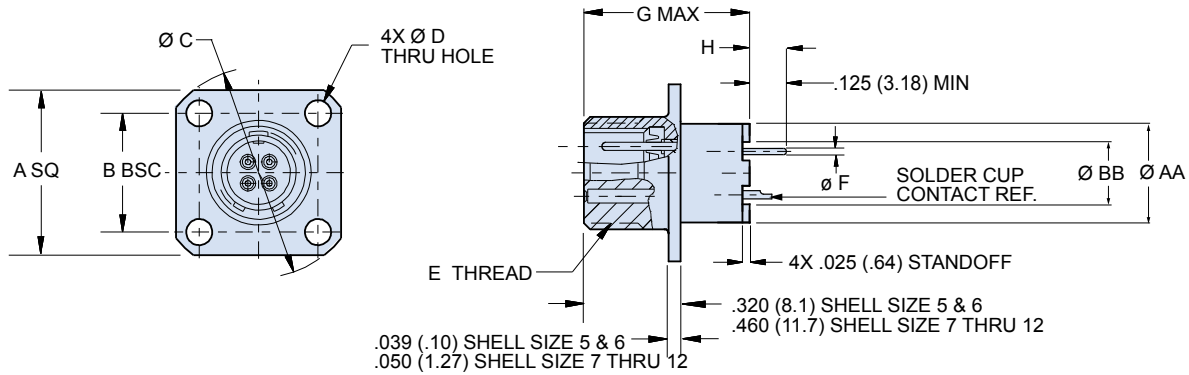
Dimensions in Inches (millimeters) are subject to change without notice.





# Series 800 Mighty Mouse UN Mating Thread PC Tail or Solder Cup PCB Receptacle 800-012 and 800-040 Dimensions

## Square flange mount receptacle - shell style 02



### Dimensions

Shell Size	A SQ		B		$\varnothing C$		$\varnothing D$		E Threads Mating	$\varnothing F$ Tail Dia.	G Max		H	
	In.	mm.	In.	mm.	In.	mm.	$\pm .005$	$\pm 0.13$			In.	mm.	In.	mm.
5	.527	13.39	.363	9.22	.680	17.27	.096/	2.44/	.3125-28 UN-2A	#23 .018/.022 (0.46/0.56)	.725	18.42	.426	10.82
6	.588	14.92	.423	10.74	.750	19.05	.091	2.31	.3750-28 UN-2A		.725	18.42	.426	10.82
7	.650	16.51	.483	12.27	.830	21.08	.128	3.25	.4375-28 UNEF-2A	#20 .024/.028 (0.61/0.71)	.700	17.78	.255	6.48
8	.710	18.03	.542	13.77	.938	23.83	.128	3.25	.5000-32 UN-2A		.700	17.78	.255	6.48
9	.938	23.83	.719	18.26	1.250	31.75	.128	3.25	.5625-32 UN-2A	#16 .060/.064 (1.52/1.63)	.700	17.78	.255	6.48
10	.938	23.83	.719	18.26	1.250	31.75	.128	3.25	.6250-32 UN-2A		.700	17.78	.255	6.48
12	1.031	26.19	.812	20.62	1.375	34.93	.128	3.25	.7500-28 UN-2A	#12 .092/.096 (2.34/2.44)	.700	17.78	.255	6.48

### Dimensions (Continued)

Shell Size	$\varnothing AA$ O.D.		$\varnothing BB$ I.D.	
	In.	mm.	In.	mm.
5	.265	6.73	.186	4.72
6	.330	8.38	.238	6.05
7	.424	10.77	.327	8.31
8	.448	11.38	.388	9.86
9	.500	12.70	.446	11.33
10	.575	14.61	.515	13.08
12	.660	16.76	.599	15.21

Dimensions in Inches (millimeters) are subject to change without notice.