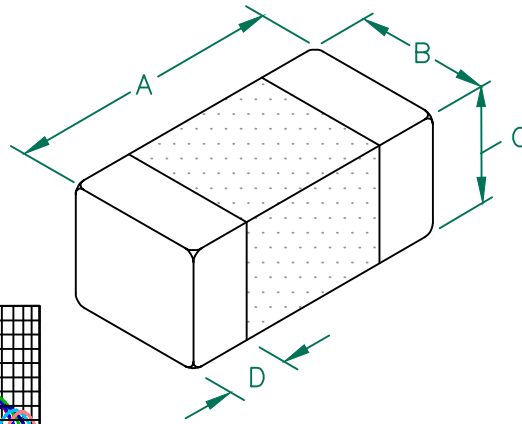


# LI0603E151R-10

## PHYSICAL DIMENSIONS:

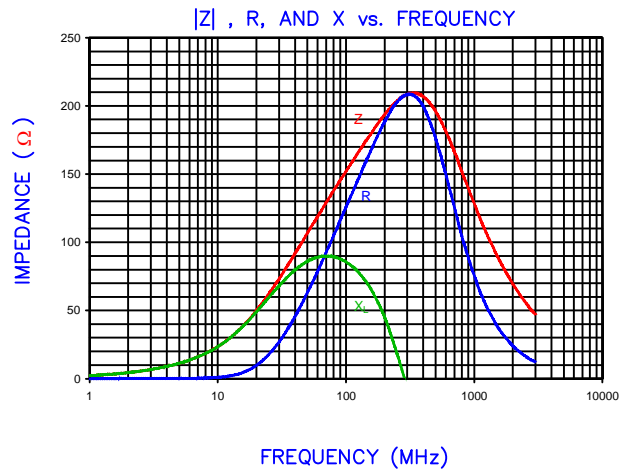
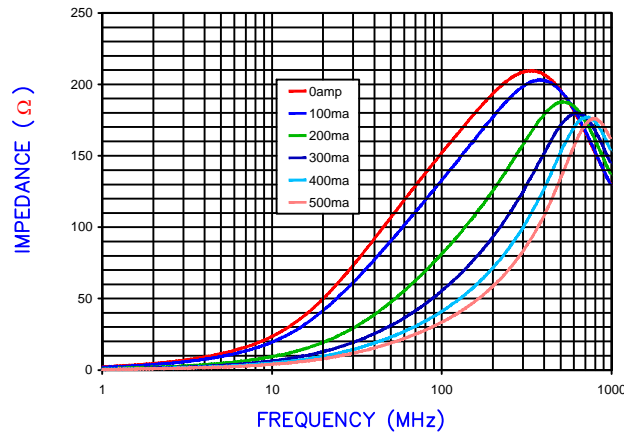
|   |             |        |         |
|---|-------------|--------|---------|
| A | 1.60 [.063] | + 0.15 | [-.006] |
| B | 0.80 [.031] | + 0.15 | [-.006] |
| C | 0.80 [.031] | + 0.15 | [-.006] |
| D | 0.36 [.014] | + 0.15 | [-.006] |



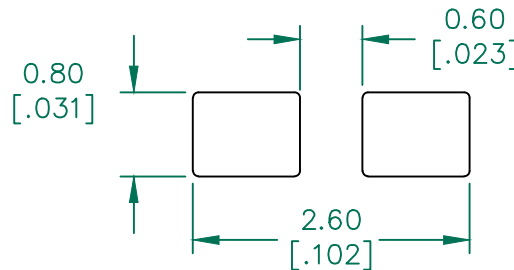
## ELECTRICAL CHARACTERISTICS:

| Z @ 100MHz<br>(Ω) | DCR<br>(Ω) | Rated<br>Current |
|-------------------|------------|------------------|
| Nominal           | 150        |                  |
| Minimum           | 113        |                  |
| Maximum           | 188        | 500 mA           |

Z vs FREQUENCY  
IMPEDANCE UNDER DC BIAS

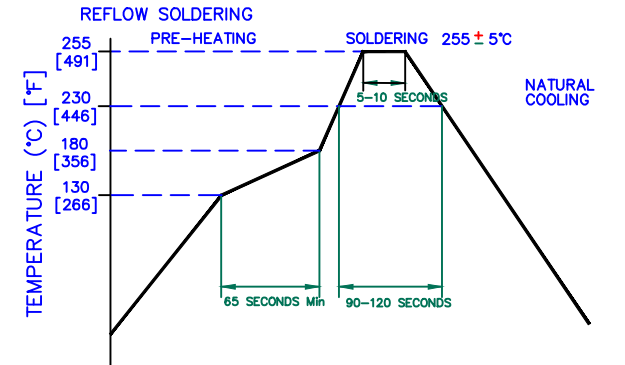


## LAND PATTERNS FOR REFLOW SOLDERING



(For wave soldering, add 0.762 [.030] to this dimension)

## RECOMMENDED SOLDERING CONDITIONS



Z R X<sub>L</sub>



| DIMENSIONS ARE IN mm [INCHES].   |  |  |  | This print is the property of Laird Tech. and is loaned in confidence subject to return upon request and with the understanding that no copies shall be made without the written consent of Laird Tech. All rights to design or invention are reserved. |  |  |  |
|--|--|--|--|---|--|--|--|
| C ADD OPERATING TEMPERATURE UPDATE LAIRD LOGO AND REFLOW CURVE 08/05/13 QU |  |  |  | PROJECT/PART NUMBER: LI0603E151R-10   |  |  |  |
| B UPDATE COMPANY LOGO ADD ROHS SYM 07/14/08 JRK                            |  |  |  | DATE: 04/19/04  |  |  |  |
| A ORIGINAL DRAFT 04/19/04 JRK  |  |  |  | SCALE: - SHEET: 1 of 1  |  |  |  |
| REV DESCRIPTION DATE INT   |  |  |  | CAD # LI0603E151R-10-C TOOL # -   |  |  |  |

