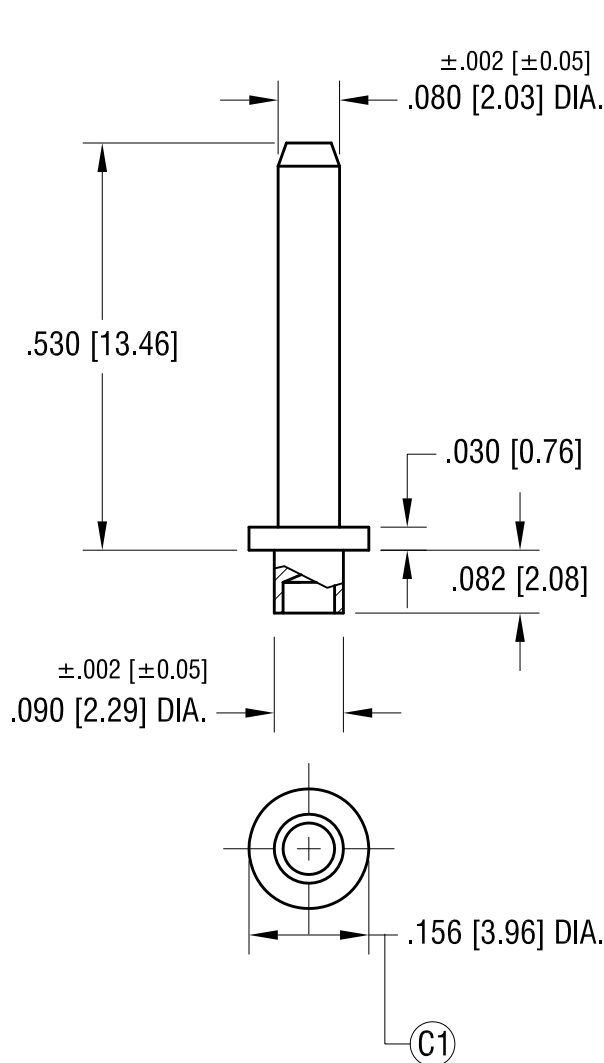


THIS DOCUMENT IS THE PROPERTY OF
KEYSTONE ELECTRONICS CORP. AND
SHALL NOT BE REPRODUCED, DISTRIBUTED
OR USED AS A BASIS FOR MANUFACTURE
WITHOUT PRIOR WRITTEN PERMISSION
FROM KEYSTONE ELECTRONICS CORP.

ACTUAL SIZE



NOTE:

1. MOUNTING HOLE $.094$ [2.38]

5.17.21	(C1) TOLERANCE WAS $\pm .002$ CHANGE AS PER ECN 21-043	C
3.10.11	CHANGE AS PER ECN 11-035	B
4.16.08	CHANGE AS PER ECN 08-101	A
DATE	DESCRIPTION	REV.

KEYSTONE ELECTRONICS CORP.			
www.keyelco.com • NEW HYDE PARK, NY 11040 • Tel (516) 328-7500			
PART NAME MICRO PIN, SWAGE MOUNT			
MATERIAL BRASS			
FINISH TIN PLATE		DRN BY BOONE	DATE 2.22.07
		APP'D RH	SCALE 4X
TOLERANCES DECIMAL ANGULAR	INCH $\pm .005$ [± 0.13] $\pm 1^\circ$	CODE C	DWG NO. 1365-2
UNLESS OTHERWISE SPECIFIED			