



Fiber Optics > Fiber Optic Connectors > Rugged Fiber Connectors > ODVA LC Connectors



Fiber Optic Mode: **Singlemode**

Connector & Housing Type: **Plug**

Features

Product Type Features

Data Transmission Mode	Duplex
Fiber Optic Mode	Singlemode
Connector & Housing Type	Plug

Body Features

Primary Product Color	Black
-----------------------	-------

Product Compliance

[For compliance documentation, visit the product page on TE.com>](#)

EU RoHS Directive 2011/65/EU	Not Yet Reviewed
EU ELV Directive 2000/53/EC	Compliant
China RoHS 2 Directive MIIT Order No 32, 2016	Not reviewed for China RoHS compliance
EU REACH Regulation (EC) No. 1907/2006	Current ECHA Candidate List: JUNE 2024 (241) Candidate List Declared Against: JAN 2021 (211) Does not contain REACH SVHC
Halogen Content	Not Low Halogen - contains Br or Cl > 900 ppm.
Solder Process Capability	Not applicable for solder process capability

Product Compliance Disclaimer

This information is provided based on reasonable inquiry of our suppliers and represents our current actual knowledge based on the information they provided. This information is subject to change. The part numbers that TE has identified as EU RoHS compliant have a maximum concentration of 0.1% by weight in homogenous materials for lead, hexavalent chromium, mercury, PBB, PBDE, DBP, BBP, DEHP, DIBP, and 0.01% for cadmium, or qualify for an exemption to these limits as defined in the Annexes of Directive 2011/65/EU (RoHS2). Finished electrical and electronic equipment products will be CE marked as required by Directive 2011/65/EU. Components may not be CE marked. Additionally, the part

numbers that TE has identified as EU ELV compliant have a maximum concentration of 0.1% by weight in homogenous materials for lead, hexavalent chromium, and mercury, and 0.01% for cadmium, or qualify for an exemption to these limits as defined in the Annexes of Directive 2000/53/EC (ELV). Regarding the REACH Regulation, the information TE provides on SVHC in articles for this part number is based on the latest European Chemicals Agency (ECHA) 'Guidance on requirements for substances in articles' posted at this URL: <https://echa.europa.eu/guidance-documents/guidance-on-reach>

Compatible Parts



TE Part # 1828619-2
Kit, Receptacle, LC, SM, ODVA

Also in the Series | FullAXS LC



Docking Connectors(1)



Fiber Connector Covers & Caps(1)



Fiber Optic Patch Cable Assemblies(8)



LC Connectors(2)

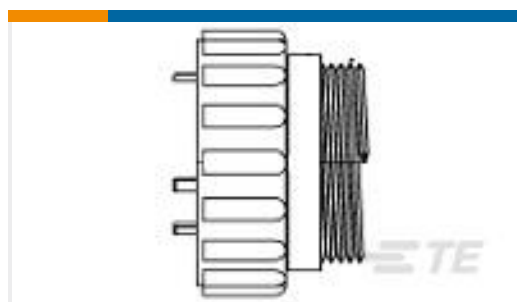


ODVA LC Connectors(3)

Customers Also Bought



TE Part #206433-2
CPC RECPT ASSEMBLY SIZE 11-8



TE Part #206516-1
CPC PLUG ASSEMBLY SIZE 11-4



TE Part #1-5050871-9
SOCKET, MIN-SPR W/H SN-AU SER-5



TE Part #66255-2
MALE CONTACT ASSY. (STRIP)



Documents

Product Drawings

[KIT,PLUG,LC,ODVA,SM](#)

English

CAD Files

Customer View Model

[ENG_CVM_1828618-2_A.3d_igs.zip](#)

English

Customer View Model

[ENG_CVM_1828618-2_A.3d_stp.zip](#)

English

Customer View Model

[ENG_CVM_1828618-2_A.2d_dxf.zip](#)

English

3D PDF

English

By downloading the CAD file I accept and agree to the [Terms and Conditions](#) of use.

Datasheets & Catalog Pages

[INDUSTRIAL_ETHERNET_PRODUCTS](#)

English

[Rugged Fiber Optics](#)

English

Product Specifications

[Product Specification](#)

English



Product Specification

English

Instruction Sheets

Instruction Sheet (U.S.)

English

Agency Approvals

UL Report

English