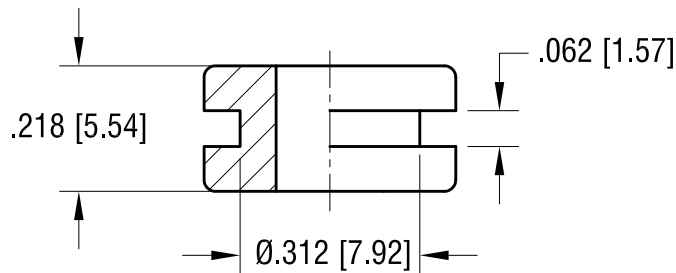
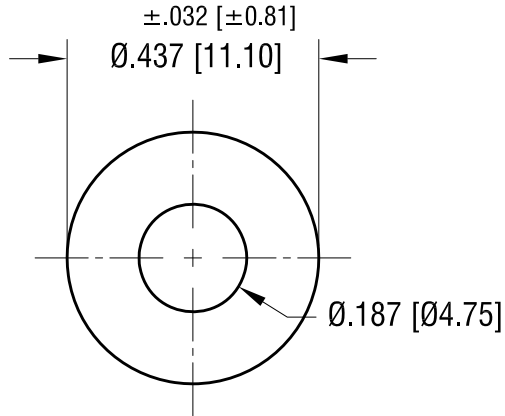


THIS DOCUMENT IS THE PROPERTY OF
KEYSTONE ELECTRONICS CORP. AND
SHALL NOT BE REPRODUCED, DISTRIBUTED
OR USED AS A BASIS FOR MANUFACTURE
WITHOUT PRIOR WRITTEN PERMISSION
FROM KEYSTONE ELECTRONICS CORP.

ACTUAL SIZE



9.12.23	UPDATE PER NEW MOLD CHANGE AS PER ECN 23-153	C
10.13.21	ADDED NOTE 2 CHANGE AS PER ECN 21-115	B
1.02.08	CHANGE AS PER ECN 08-006	A
DATE	DESCRIPTION	REV.

KEYSTONE ELECTRONICS CORP.			
www.keyelco.com • NEW HYDE PARK, NY 11040 • Tel (516) 328-7500			
PART NAME		RUBBER GROMMET	
MATERIAL		BUNA N	
FINISH		DRN BY	DATE
NONE		BOONE	9.16.96
		APP'D	SCALE
		RH	3X
TOLERANCES	INCH [MM]	CODE	DWG NO.
DECIMAL	± .020 [± 0.50]	C	736
ANGULAR	± 1°		
UNLESS OTHERWISE SPECIFIED			