

1318329-1 ✓ ACTIVE

AMP | 0.64/025 Connector System

TE Internal #: 1318329-1

Receptacle, Mating Tab Width .64 mm [.025 in], Tab Thickness .64 mm [.025 in], 20 – 18 AWG Wire Size, 0.64/025 Connector System, Automotive Terminals

[View on TE.com >](#)



Terminals & Splices > Automotive Terminals > TH/.025 CONNECTOR SYSTEM, RECPT AND TAB



Terminal Type: **Receptacle**

Mating Tab Width: **.64 mm [.025 in]**

Mating Tab Thickness: **.64 mm [.025 in]**

Terminal Transmits: **0 – 24 A (Low Power)**

Wire Size: **20 – 18 AWG**

[All TH/.025 CONNECTOR SYSTEM, RECPT AND TAB \(21\)](#)

Features

Product Type Features

Receptacle Style	180°
Sealable	No
Primary Locking Feature	Clean Body

Contact Features

Contact Size	.63mm
Contact Fabrication	Stamped & Formed
Typical Current Rating	4 A
Crimp Type	F-Crimp
Terminal Type	Receptacle
Mating Tab Width	.64 mm[.025 in]
Mating Tab Thickness	.64 mm[.025 in]
Interface Plating	Tin (Sn)

Termination Features

Termination Method to Wire & Cable	Crimp
Product Terminates To	Wire

Dimensions

Compatible Insulation Diameter Range	1.25 – 1.8 mm
--------------------------------------	---------------



Wire Size	.5 – .85 mm ²
-----------	--------------------------

Wire Size Search	18 AWG, 19 AWG, 20 AWG
------------------	------------------------

Usage Conditions

Insulation Option	Uninsulated
-------------------	-------------

Operating Temperature (Max)	80 °C, 85 °C, 90 °C, 100 °C, 105 °C, 110 °C, 120 °C[176 °F][185 °F][194 °F][212 °F][221 °F][230 °F][248 °F]
-----------------------------	---

Operating Temperature Range	-40 – 120 °C[-40 – 248 °F]
-----------------------------	----------------------------

Operation/Application

Compatible With Wire Base Material	Copper
------------------------------------	--------

Packaging Features

Packaging Quantity	10000
--------------------	-------

Packaging Method	Reel
------------------	------

Other

Terminal Transmits	0 – 24 A (Low Power)
--------------------	----------------------

Product Compliance

[For compliance documentation, visit the product page on TE.com>](#)

EU RoHS Directive 2011/65/EU	Compliant
------------------------------	-----------

EU ELV Directive 2000/53/EC	Compliant
-----------------------------	-----------

China RoHS 2 Directive MIIT Order No 32, 2016	No Restricted Materials Above Threshold
---	---

EU REACH Regulation (EC) No. 1907/2006	Current ECHA Candidate List: JUNE 2024 (241) Candidate List Declared Against: JUNE 2024 (241) Does not contain REACH SVHC
--	---

Halogen Content	Low Halogen - Br, Cl, F, I < 900 ppm per homogenous material. Also BFR/CFR/PVC Free
-----------------	---

Solder Process Capability	Not applicable for solder process capability
---------------------------	--

Product Compliance Disclaimer

This information is provided based on reasonable inquiry of our suppliers and represents our current actual knowledge based on the information they provided. This information is subject to change. The part numbers that TE has identified as EU RoHS compliant have a maximum concentration of 0.1% by weight in homogenous materials for lead, hexavalent chromium, mercury, PBB, PBDE, DBP, BBP, DEHP, DIBP, and 0.01% for cadmium, or qualify for an exemption to these limits as defined in the Annexes of Directive 2011/65/EU (RoHS2). Finished electrical and electronic equipment products will be CE marked as required by Directive 2011/65/EU. Components may not be CE marked. Additionally, the part numbers that TE has identified as EU ELV compliant have a maximum concentration of 0.1% by weight in homogenous

materials for lead, hexavalent chromium, and mercury, and 0.01% for cadmium, or qualify for an exemption to these limits as defined in the Annexes of Directive 2000/53/EC (ELV). Regarding the REACH Regulation, the information TE provides on SVHC in articles for this part number is based on the latest European Chemicals Agency (ECHA) 'Guidance on requirements for substances in articles' posted at this URL: <https://echa.europa.eu/guidance-documents/guidance-on-reach>

Compatible Parts



TE Part # CAT-T319-CH8172
TH/.025 CONNECTOR SYSTEM,
HOUSING



TE Part # CAT-M9194-CH8172
MULTILOCK, CONNECTOR HOUSING



TE Part # 2836423-1
OCEAN_2.0_Applicator-S-062F0700-
RSM



TE Part # 2836423-2
OCEAN_2.0_Applicator-S-062F0700-
RSA



TE Part # 2836877-1
OCEAN_2.0_Applicator-S-062F0700-
SSM



TE Part # 2836877-2
OCEAN_2.0_Applicator-S-062F0700-
SSA




TE Part # 7-2836423-7
OCEAN_2.0_SPARE_PART_KIT-
062F070F



TE Part # 7-2836877-7
OCEAN_2.0_SPARE_PART_KIT-
062F070O




TE Part # 1473842-2
CLEAN BODY 025 CONNECTOR
10POS



TE Part # 1747331-1
HEADER ASSEMBLY

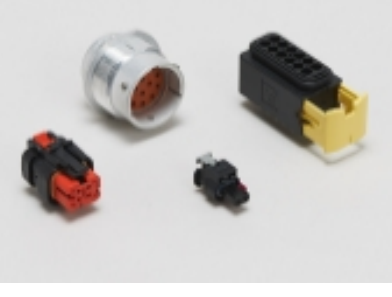
Also in the Series | 0.64/025 Connector System



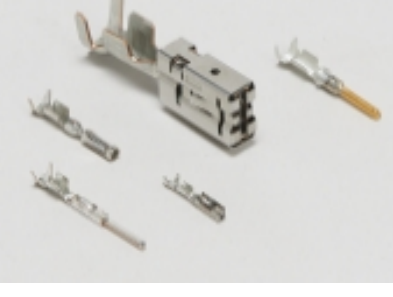
Automotive Connector Caps & Covers
(5)



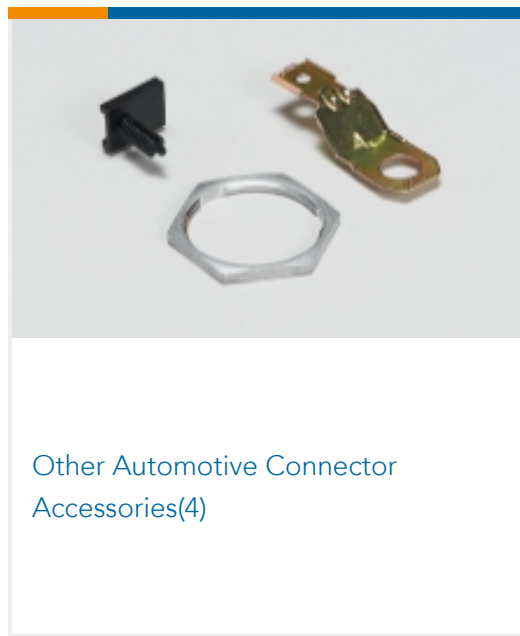
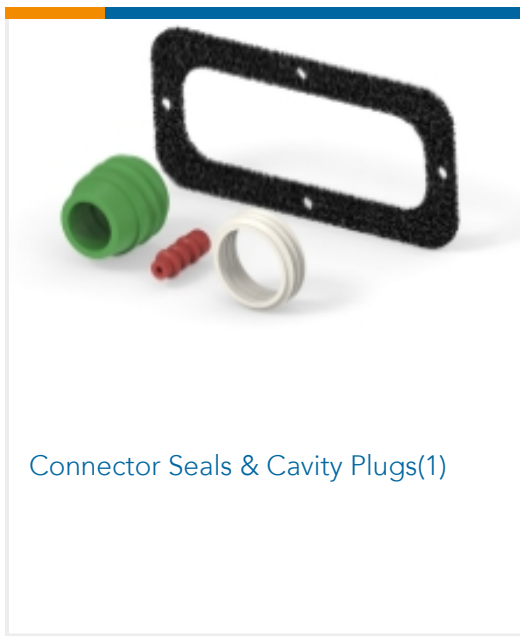
Automotive Connector Locks &
Position Assurance(1)



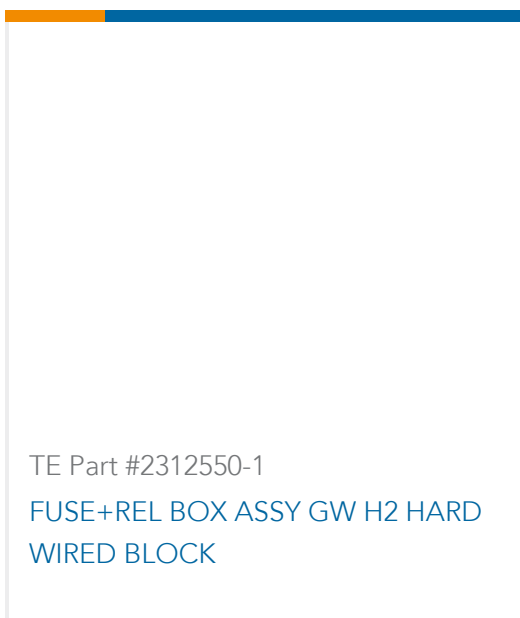
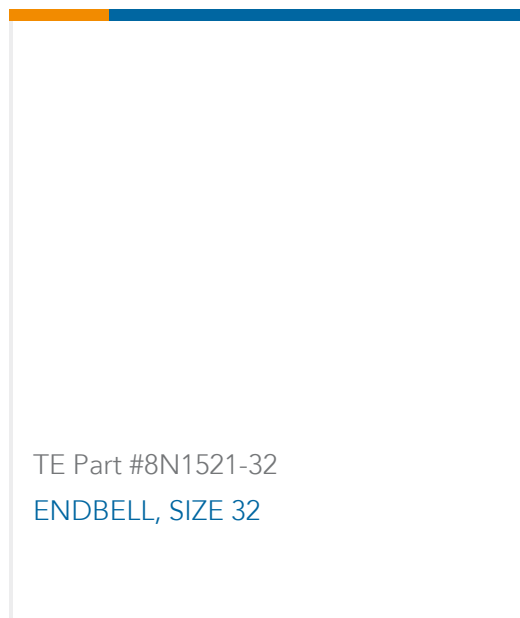
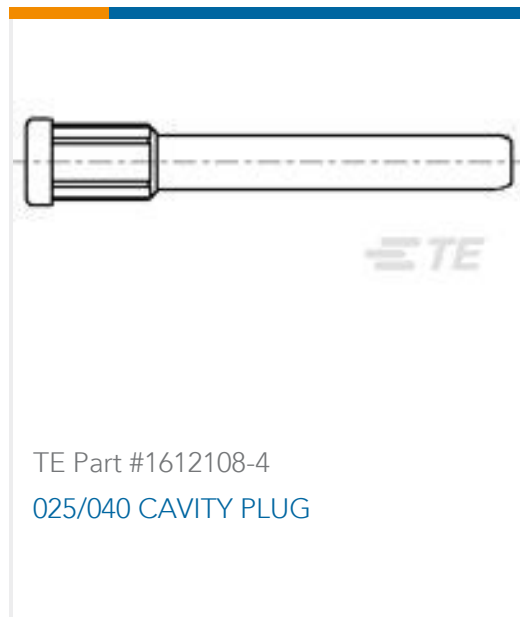
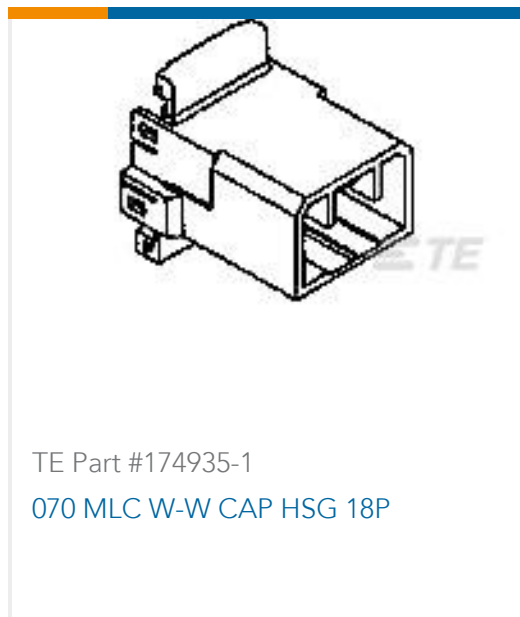
Automotive Housings(127)



Automotive Terminals(16)



Customers Also Bought



Documents

Product Drawings

[.025 SEALED REC CONT](#)

English

CAD Files

Customer View Model

[ENG_CVM_CVM_1318329-1_H.2d_dxf.zip](#)

English

[3D PDF](#)



3D

Customer View Model

[ENG_CVM_CVM_1318329-1_H.3d_igs.zip](#)

English

Customer View Model

[ENG_CVM_CVM_1318329-1_H.3d_stp.zip](#)

English

By downloading the CAD file I accept and agree to the [Terms and Conditions](#) of use.

Product Specifications

Crimping CLEAN BODY 025/040 Receptacle Contact

English

Application Specification

English

Application Specification

Japanese

Crimping CLEAN BODY 025/040 Receptacle Contact

Japanese

Instruction Sheets

CLEAN BODY 025 10POSITIONS CONNECTOR

English

Instruction Sheet (non U.S.)

English

Instruction Sheet (non U.S.)

Japanese

025 T.P.S. CONNECTOR

Japanese

Instruction Sheet (non U.S.)

Japanese

The Extraction Tool for 025/040 Clean Body Connector

Japanese

Instruction Sheet (non U.S.)

Japanese