

# MICRO SWITCH

FREEPORT, ILLINOIS, U S A  
A DIVISION OF HONEYWELL INC.  
FED. MFG. CODE 91929

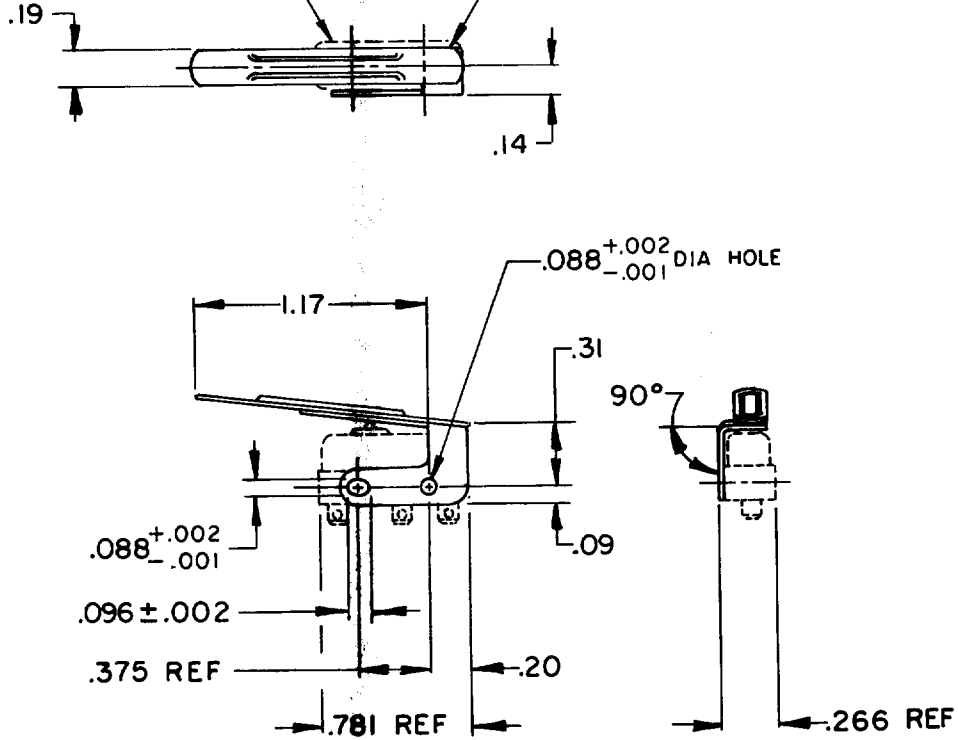
# ACTUATOR - SWITCH

CATALOG LISTING  
JS-143-B

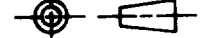
THIS DRAWING COVERS A PROPRIETARY ITEM AND IS THE PROPERTY OF MICRO SWITCH, A DIVISION OF HONEYWELL. THIS DRAWING IS NOT TO BE COPIED OR USED WITHOUT THE APPROVAL OF MICRO SWITCH.

DOTTED LINES INDICATE  
BASIC SWITCH IN PLACE

CORROSION RESISTANT  
STEEL ACTUATOR



THIRD ANGLE PROJECTION



SCALE FULL

DO NOT SCALE PRINT

UNLESS OTHERWISE SPECIFIED  
TOLERANCES ARE

ONE PLACE	(.0)	± .030
TWO PLACE	(.00)	± .015
THREE PLACE	(.000)	± .005
ANGLES		±

JS-143-B

M

DRAWING  
NUMBER

ISSUE

REPLACES  
RELEASE NO. PR-15806

CHECK

CHECK

7 AUG 87

MAM

CHECK

7 AUG 87

CHECK

S. J. S.

DRAWN

FO-82890-001