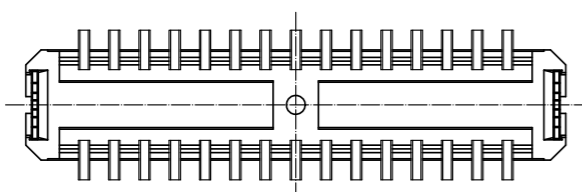
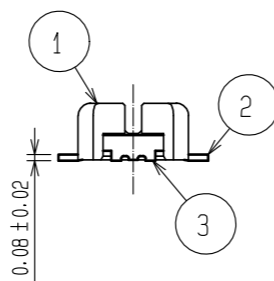
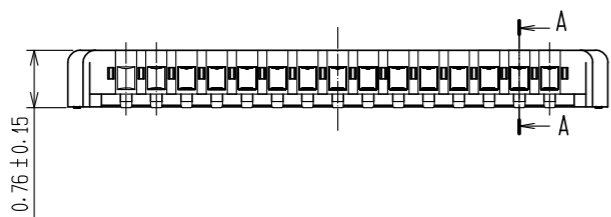
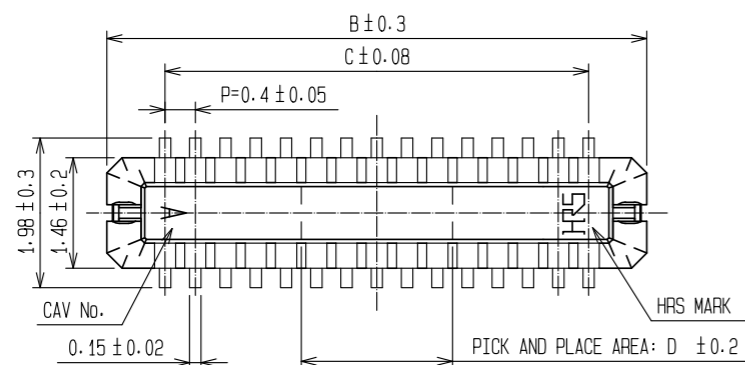
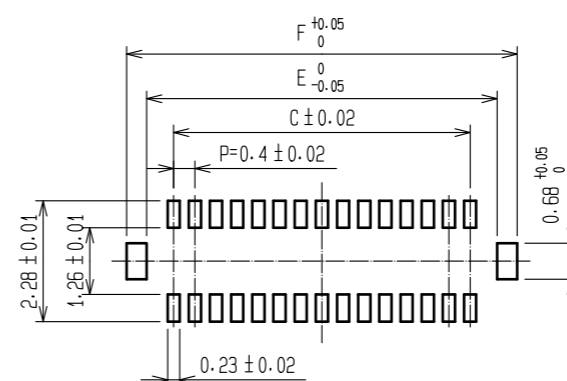


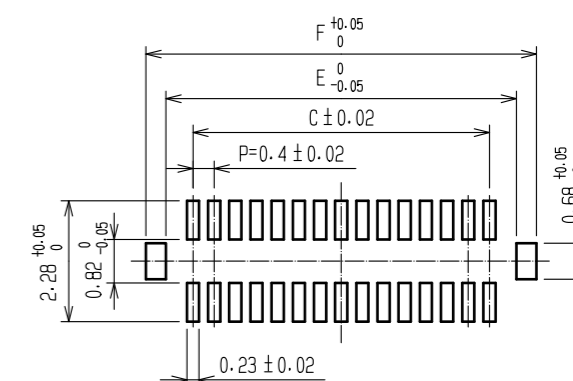
Jun.1.2024 Copyright 2024 HIROSE ELECTRIC CO., LTD. All Rights Reserved.
In case of consideration for using Automotive equipment / device which demand high reliability, kindly contact our sales window correspondents.



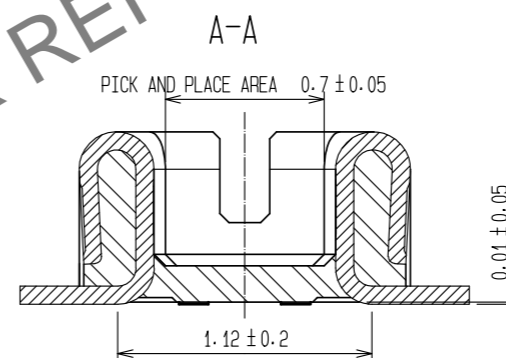
RECOMMENDED METAL MASK OPENING PATTERN



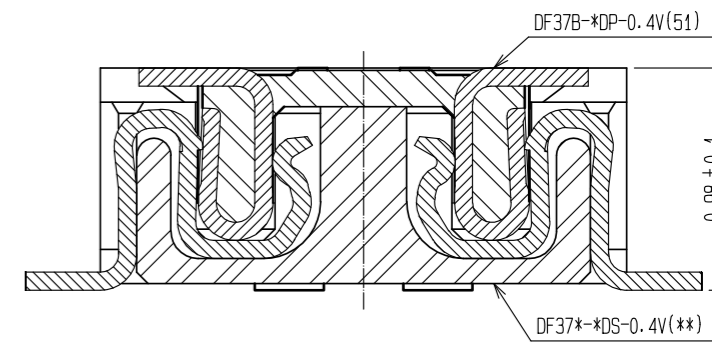
RECOMMENDED PATTERN



RECOMMENDED SOLDER PASTE THICKNESS : 120µm



ENGAGEMENT FIGURE



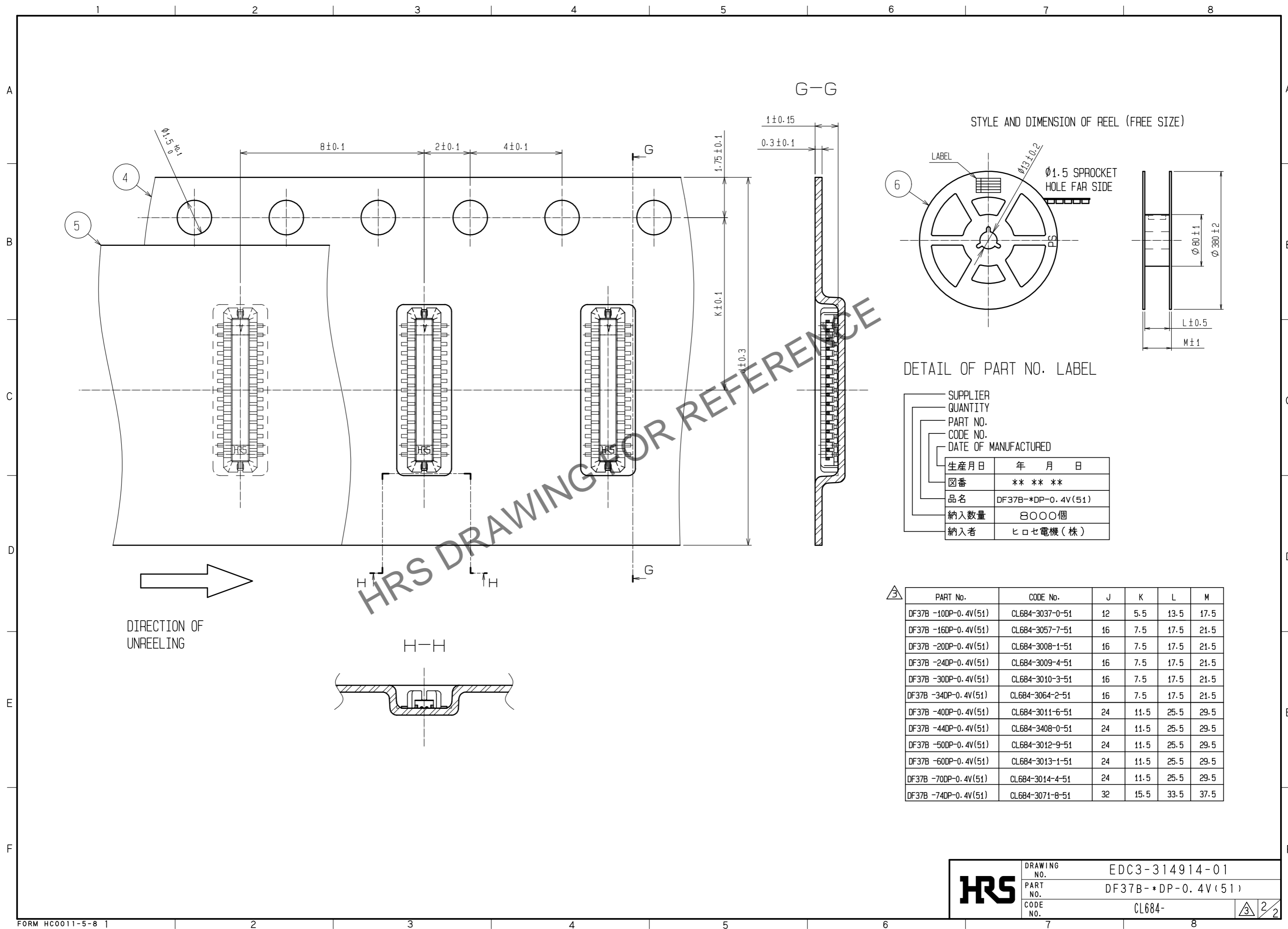
- NOTE 1. ALL LEADS CO-PLANARITY SHALL BE 0.1 MAX.
 2. PER REEL : 8000 CONNECTORS.
 3. AT THE BEGINNING OF THE REEL, 100 mm AT MIN SHALL BE EMPTY POCKETS.
 AT THE END OF THE REEL, 160 mm AT MIN SHALL BE EMPTY.
 4. CONTACT PLATING SPECIFICATIONS.
 CONTACT AREA : GOLD 0.05µm MIN.
 SMT LEAD : GOLD 0.05µm MIN.
 UNDERPLATING : NICKEL 1µm MIN.
 (SURFACE : SEALING)

5. METAL HOLD DOWN PLATING SPECIFICATIONS.
 MOUNTING AREA: GOLD 0.05µm MIN.
 UNDERPLATING : NICKEL 1µm MIN.
 6. PEEL FORCE OF COVER TAPE REFERS TO JIS C 0806.

PART No.	CODE No.	B	C	D	E	F
DF37B -10DP-0.4V(51)	CL684-3037-0-51	3.14	1.6	0.8	2.62	3.38
DF37B -16DP-0.4V(51)	CL684-3057-7-51	4.34	2.8	1.2	3.82	4.58
DF37B -20DP-0.4V(51)	CL684-3008-1-51	5.14	3.6	1.6	4.62	5.38
DF37B -24DP-0.4V(51)	CL684-3009-4-51	5.94	4.4	2	5.42	6.18
DF37B -30DP-0.4V(51)	CL684-3010-3-51	7.14	5.6	2	6.62	7.38
DF37B -34DP-0.4V(51)	CL684-3064-2-51	7.94	6.4	2.4	7.42	8.18
DF37B -40DP-0.4V(51)	CL684-3011-6-51	9.14	7.6	2.4	8.62	9.38
DF37B -44DP-0.4V(51)	CL684-3408-0-51	9.94	8.4	2.8	9.42	10.18
DF37B -50DP-0.4V(51)	CL684-3012-9-51	11.14	9.6	2.8	10.62	11.38
DF37B -60DP-0.4V(51)	CL684-3013-1-51	13.14	11.6	3.2	12.62	13.38
DF37B -70DP-0.4V(51)	CL684-3014-4-51	15.17	13.6	3.6	14.62	15.38
DF37B -74DP-0.4V(51)	CL684-3071-8-51	15.94	14.4	3.6	15.42	16.18

3	PHOSPHOR BRONZE	5	6	PS	PLASTIC REEL (BLACK)				
2	PHOSPHOR BRONZE	4	5	POLYESTER	CLEAR(COVER TAPE)				
1	LCP	UL94V-0, BLACK	4	PS	CLEAR(EMBOSSED CARRIER TAPE)				
NO.	MATERIAL	FINISH, REMARKS	NO.	MATERIAL	FINISH, REMARKS				
UNITS	mm	SCALE	FREE	COUNT	2	DESCRIPTION OF REVISIONS	DESIGNED	CHECKED	DATE
						DIS-H-00002725	YT. TAKAGI	TS. MIYAZAKI	17.09.28
APPROVED : MO. NAKAMURA		07.01.30		DRAWING NO.		EDC3-314914-01			
CHECKED : KH. IKEDA		07.01.30		PART NO.		DF37B-*DP-0.4V(51)			
DESIGNED : KY. MIDORIKAWA		07.01.30		CODE NO.		CL684			
DRAWN : KY. MIDORIKAWA		07.01.30							

Jun.1.2024 Copyright 2024 HIROSE ELECTRIC CO., LTD. All Rights Reserved.
 In case of consideration for using Automotive equipment / device which demand high reliability, kindly contact our sales window correspondents.



DETAIL OF PART NO. LABEL

SUPPLIER	生産月日	年	月	日
QUANTITY	函番	**	**	**
PART NO.	品名	DF37B-*DP-0.4V(51)		
CODE NO.	納入数量	8000個		
DATE OF MANUFACTURED	納入者	ヒロセ電機(株)		

PART No.	CODE No.	J	K	L	M
DF37B -10DP-0.4V(51)	CL684-3037-0-51	12	5.5	13.5	17.5
DF37B -16DP-0.4V(51)	CL684-3057-7-51	16	7.5	17.5	21.5
DF37B -20DP-0.4V(51)	CL684-3008-1-51	16	7.5	17.5	21.5
DF37B -24DP-0.4V(51)	CL684-3009-4-51	16	7.5	17.5	21.5
DF37B -30DP-0.4V(51)	CL684-3010-3-51	16	7.5	17.5	21.5
DF37B -34DP-0.4V(51)	CL684-3064-2-51	16	7.5	17.5	21.5
DF37B -40DP-0.4V(51)	CL684-3011-6-51	24	11.5	25.5	29.5
DF37B -44DP-0.4V(51)	CL684-3408-0-51	24	11.5	25.5	29.5
DF37B -50DP-0.4V(51)	CL684-3012-9-51	24	11.5	25.5	29.5
DF37B -60DP-0.4V(51)	CL684-3013-1-51	24	11.5	25.5	29.5
DF37B -70DP-0.4V(51)	CL684-3014-4-51	24	11.5	25.5	29.5
DF37B -74DP-0.4V(51)	CL684-3071-8-51	32	15.5	33.5	37.5

HRS	DRAWING NO.	EDC3-314914-01
	PART NO.	DF37B-*DP-0.4V(51)
	CODE NO.	CL684-