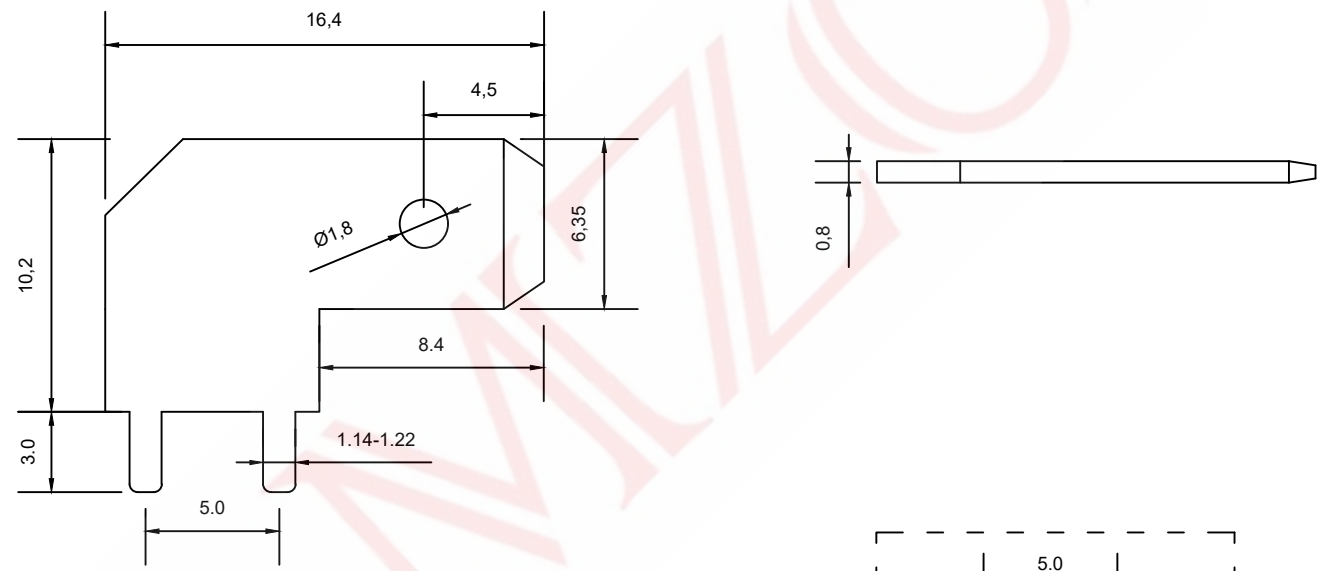


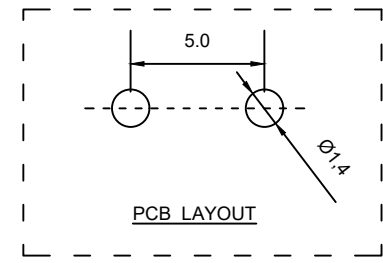
1 SAMZO REAC/ROHS

REV	ECN NO	DESCRIPTION	DESIGN	APPROVAL	DATE
A1	NEW	Replace frame			2023.09.03



TERMINAL:
 >MATERIAL:C2680
 >THICKNESS:0.8mm
 >BAG QTY:5000PCS
 NOTE:

1. CURRENT RATING:20A MAX
2. VOLTAGE RANGE:220V AC. DC
3. TEMPERATURE RANGE:-20°C TO 105°C



ITEM	DESCRIPTION	MATERIAL	QTY	FINSH/COLOR					
A	主体	黄铜	1	镀锡					
					GENERAL TOLERANCE				
					DESIGN	WANGUIFA	2018.06.12	≥0~2<	±0.15
					CHECKED	ZHENGUILAN	2018.06.12	≥2~5<	±0.25
					APPROVED	LILIANJIANG	2018.06.14	≥0~2<	±0.15
								≥5	±0.35

FIRST VIEW

SCALE 1:1 UNIT mm

SAMZO COMPONENTS
 Electronic switch and connector manufacturer

The copyright belongs to samzo parts [China] Co., Ltd. please use the material after samzo parts agree to authorize. The final right of interpretation belongs to samzo parts.
 WWW.KKK-JP.COM

TITLE::	6.3*16.4*10.2 Ø1.8
DWG NO:	G63-14W02
PART NO:	G631016000
MODEL NO:	G630-10-1W
NAME:	GASKET

E
D
C
B
A

E
D
C
B
A

1 2 3 4 5 6 7 8