

61668-4 ✓ ACTIVE

AMPMODU | UTILUX CR

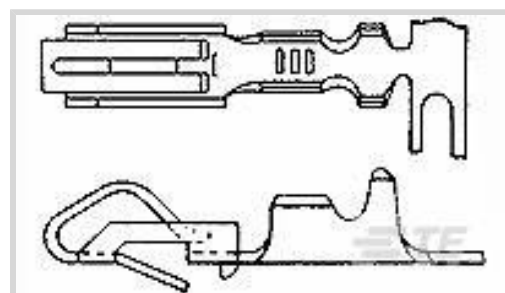
TE Internal #: 61668-4

Hermaphroditic Contact, Gold, Snap-In Contact Retention, Discrete Wire, 24 – 18 AWG Wire Size, .2 – .8 mm<sup>2</sup> Wire Size, Crimp, UTILUX CR

[View on TE.com >](#)



Connectors > Contacts > Connector Contacts



Contact Type: **Hermaphroditic**

Contact Mating Area Plating Material: **Gold**

Wire Contact Termination Area Plating Material: **Gold**

Contact Retention Within Housing: **With**

Contact Retention Type Within Housing: **Snap-In**

## Features

### Product Type Features

Discrete Wire Type	Stranded
Sealable	No

### Configuration Features

Compatible With Wire & Cable Type	Discrete Wire
-----------------------------------	---------------

### Contact Features

PCB Contact Termination Area Plating Material Thickness	.762 μm[30 μin]
Contact Underplating Material Thickness	1.27 μm[50 μin]
Contact Mating Area Plating Material Thickness	.762 μm[30 μin]
Contact Length	25.4 mm[1 in]
Contact Orientation	Straight
Contact Underplating Material	Nickel
PCB Contact Termination Area Plating Material	Nickel
Barrel Type	Open
Contact Type	Hermaphroditic
Contact Mating Area Plating Material	Gold
Wire Contact Termination Area Plating Material	Gold
Contact Retention Within Housing	With
Contact Base Material	Phosphor Bronze



Contact Current Rating (Max)	6 A
------------------------------	-----

### Termination Features

Termination Method to Wire & Cable	Crimp
Product Terminates To	Wire & Cable

### Mechanical Attachment

Wire Insulation Support	With
PCB Mount Retention	Without
Contact Retention Type Within Housing	Snap-In

### Dimensions

Compatible Insulation Diameter Range	2.79 mm [.11 in]
Wire Size	.2 – .8 mm <sup>2</sup>

### Usage Conditions

Operating Temperature Range	-55 – 105 °C [-67 – 221 °F]
-----------------------------	-----------------------------

### Operation/Application

Circuit Application	Signal
---------------------	--------

### Packaging Features

Packaging Quantity	6000
Packaging Method	Package

## Product Compliance


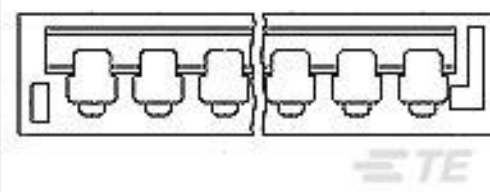

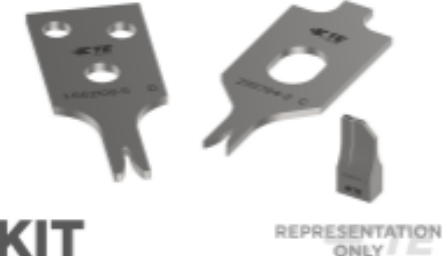
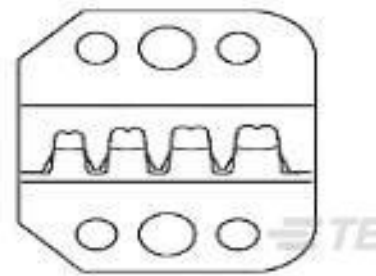






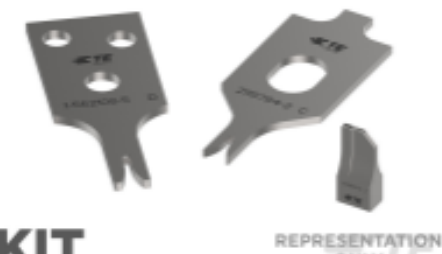
[For compliance documentation, visit the product page on TE.com>](#)

EU RoHS Directive 2011/65/EU	Out of Scope
EU ELV Directive 2000/53/EC	Compliant
China RoHS 2 Directive MIIT Order No 32, 2016	Not reviewed for China RoHS compliance
EU REACH Regulation (EC) No. 1907/2006	Current ECHA Candidate List: JUNE 2024 (241) Candidate List Declared Against: JUNE 2024 (241) Does not contain REACH SVHC
Halogen Content	Low Halogen - Br, Cl, F, I < 900 ppm per homogenous material. Also BFR/CFR/PVC Free
Solder Process Capability	Not applicable for solder process capability

Product Compliance Disclaimer

This information is provided based on reasonable inquiry of our suppliers and represents our current actual knowledge based on the information they provided. This information is subject to change. The part numbers that TE has identified as EU RoHS compliant have a maximum concentration of 0.1% by weight in homogenous materials for lead, hexavalent chromium, mercury, PBB, PBDE, DBP, BBP, DEHP, DIBP, and 0.01% for cadmium, or qualify for an exemption to these limits as defined in the Annexes of Directive 2011/65/EU (RoHS2). Finished electrical and electronic equipment products will be CE marked as required by Directive 2011/65/EU. Components may not be CE marked. Additionally, the part numbers that TE has identified as EU ELV compliant have a maximum concentration of 0.1% by weight in homogenous materials for lead, hexavalent chromium, and mercury, and 0.01% for cadmium, or qualify for an exemption to these limits as defined in the Annexes of Directive 2000/53/EC (ELV). Regarding the REACH Regulation, the information TE provides on SVHC in articles for this part number is based on the latest European Chemicals Agency (ECHA) 'Guidance on requirements for substances in articles' posted at this URL: <https://echa.europa.eu/guidance-documents/guidance-on-reach>

## Compatible Parts

 <p>TE Part # 2151033-1 OCEAN-2.0-APPLICATOR-S-070F100F-RSM</p>	 <p>TE Part # 640136-2 02P EDGE CONN HSG, BIF-LEAF</p>	 <p>TE Part # 58614-1 PROCRIMP, HT&amp;D SL156</p>	 <p><b>KIT</b> REPRESENTATION ONLY</p> <p>TE Part # 7-2151033-7 OCEAN_2.0_SPARE_PART_KIT-070F100F</p>
 <p>TE Part # 58614-2 PROCRIMP, DIE, SL156</p>	 <p>TE Part # 91597-1 CCII SL-156 REC 24-18 ASSY</p>	 <p>TE Part # 2151033-2 OCEAN-2.0-APPLICATOR-S-070F100FA-RSA</p>	 <p>TE Part # 2305570-1 Strip Terminal Cutter-Side Feed-No Crimp</p>
 <p>TE Part # 2479636-1 EXTRACTION TOOL</p>	 <p>TE Part # 5-2151033-1 OCEAN-2.0-APPLICATOR-S-070F100F-RSM</p>	 <p>TE Part # 5-2151033-2 OCEAN-2.0-APPLICATOR-S-070F100FA-RSA</p>	 <p><b>KIT</b> REPRESENTATION ONLY</p> <p>TE Part # 7-2266602-7 OCEAN_2.0_SPARE_PART_KIT-070F100F</p>

Also in the Series | **UTILUX CR**

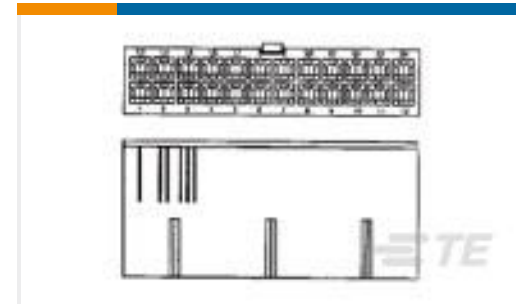
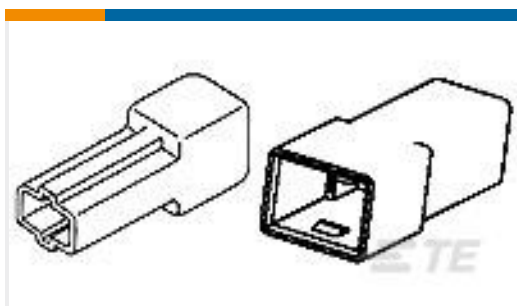
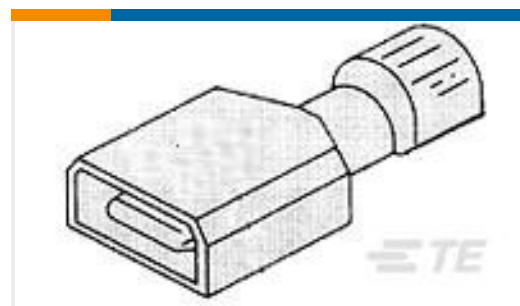
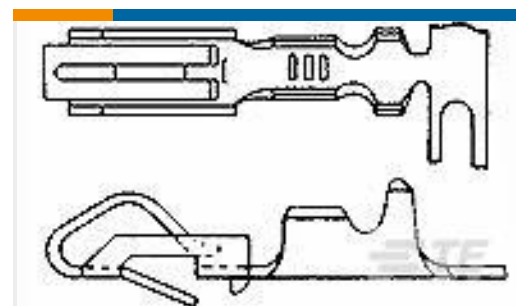
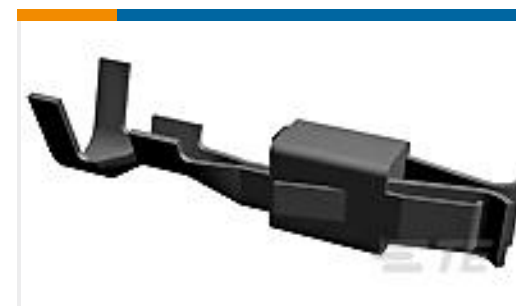


Compression Connectors(4)



Connector Contacts(4)

## Customers Also Bought

TE Part #1-350778-9  
02P UMNL V0 CAP HSG BLACKTE Part #42565-2  
FF 250 TAB 18-14AWG TPBR PRE CRIMPEDTE Part #350782-1  
09P UMNL CAP HSGTE Part #1586017-2  
2P FH PLUG VAL-U-LOK V0TE Part #480053-3  
FF 250 TAB HSG 1P NYLON NATTE Part #3-521142-2  
ULTRA-FAST 250 ASY TAB 16-14 AWG TPBRTE Part #350011-2  
BIF-LEAF CONT AUPHBZ LP 24-18TE Part #929937-3  
JPT REC 2.8 Contact SWS SnTE Part #1-2186545-1  
WINTOTAL-7-DONGLE

## Documents

### Product Drawings

[BIF-LEAF CONT CR/SNAP AUPHBZ](#)

English

### CAD Files

[Customer View Model](#)

[ENG\\_CVM\\_61668-4\\_AS.3d\\_igs.zip](#)

English

[Customer View Model](#)



[ENG\\_CVM\\_61668-4\\_AS.3d\\_stp.zip](#)

English

**Customer View Model**

[ENG\\_CVM\\_61668-4\\_AS.2d\\_dxf.zip](#)

English

**3D PDF**

English

By downloading the CAD file I accept and agree to the [Terms and Conditions](#) of use.

---

## Product Specifications

**Bifurcated Leaf Contact**

English

**Application Specification**

English