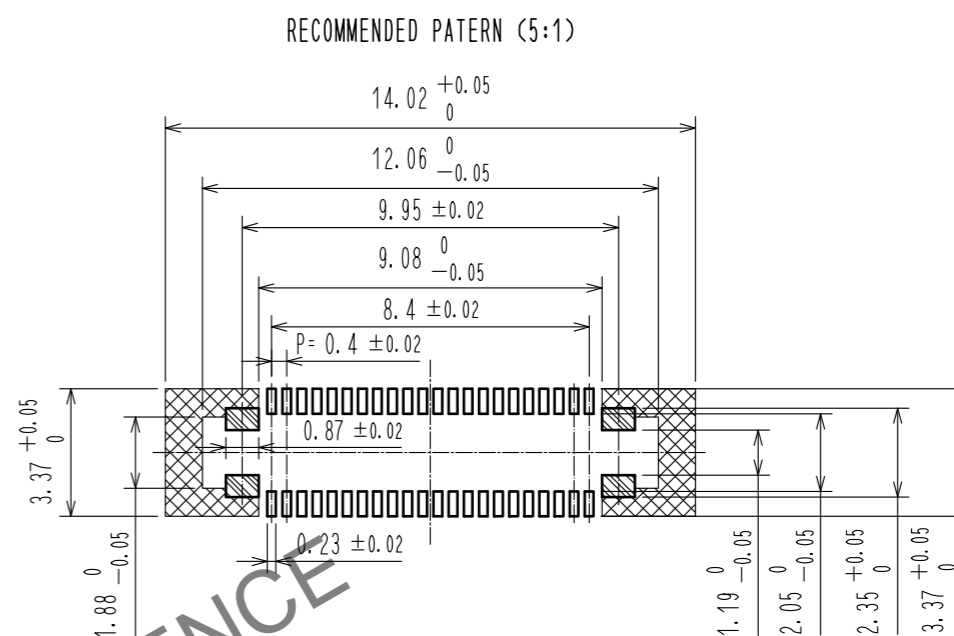
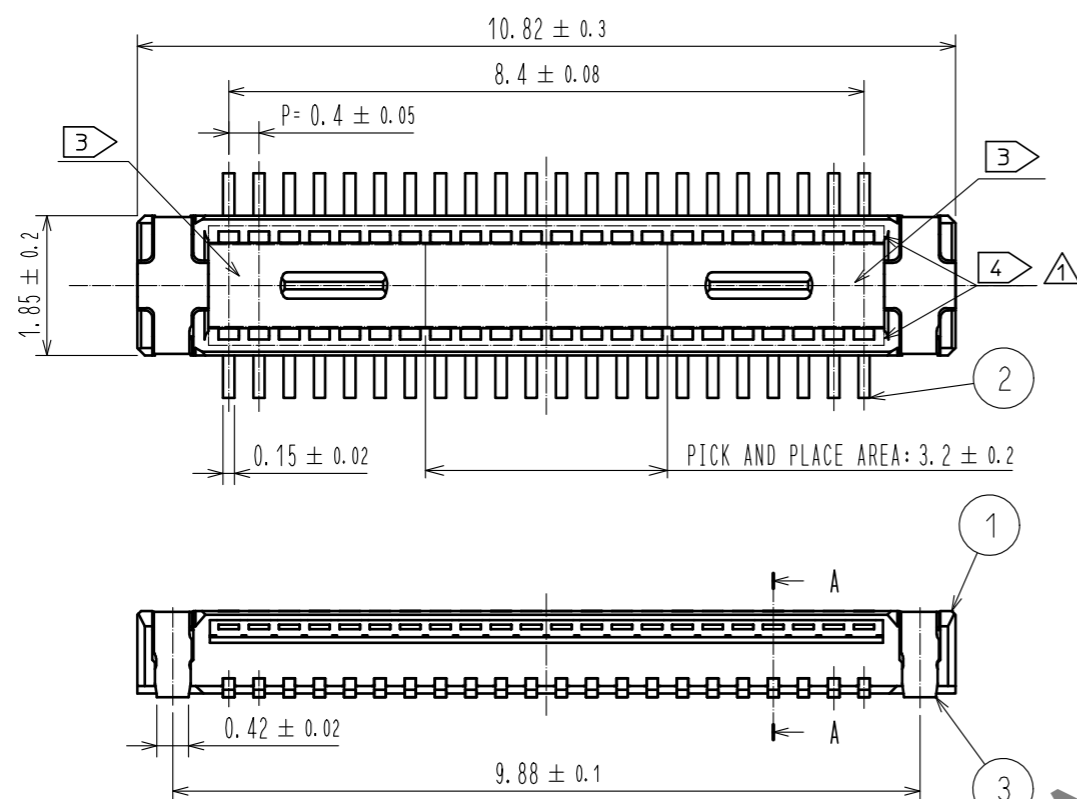
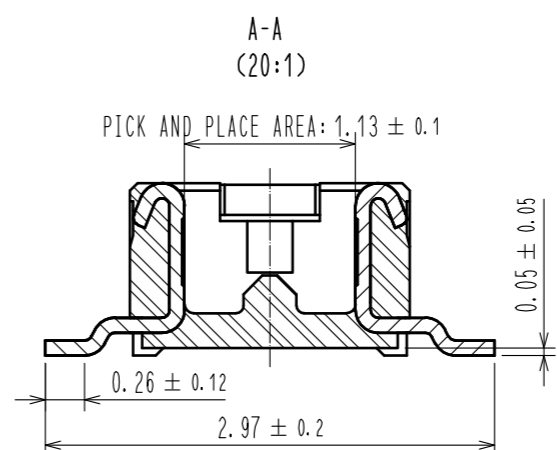
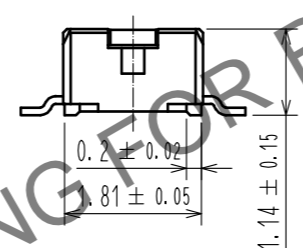


Jun.1.2024 Copyright 2024 HIROSE ELECTRIC CO., LTD. All Rights Reserved.  
In case of consideration for using Automotive equipment / device which demand high reliability, kindly contact our sales window correspondents.



: SIGNAL  
 : GROUND  
 : NON-CONDUCTIVE AREA  
 RECOMMENDED METAL MASK THICKNESS : 120 μm  
 RECOMMENDED MASK OPENING RATIO : 80% FOR LEAD PAD



- NOTES
1. ALL LEAD CO-PLANARITY SHALL BE 0.1mm MAX.
  2. PLATING SPECIFICATIONS  
 CONTACT AREA : GOLD 0.05 μm MIN  
 SMT LEAD : GOLD 0.05 μm MIN  
 UNDER PLATING : NICKEL 1 μm MIN  
 (SURFACE : SEALING)
  3. HRS MARK AND CAV No. ARE INDICATED IN APPROX POSITION SHOWN.
  4. THERE IS A POSSIBILITY THAT THE RESIN WILL BE EXPOSED AT THIS AREA, BUT THIS WILL NOT AFFECT THE CONTACT RELIABILITY.

NO.	MATERIAL	FINISH . REMARKS	NO.	MATERIAL	FINISH . REMARKS
3	STAINLESS STEEL	2	7	PS	CLEAR(REINFORCEMENT COLLAR)
2	PHOSPHOR BRONZE	2	6	PS	BLACK(PLASTIC REEL)
1	LCP	BLACK . UL94 V-0	5	POLYESTER	CLEAR(COVER TAPE)
			4	PS	CLEAR(EMBOSSED CARRIER TAPE)

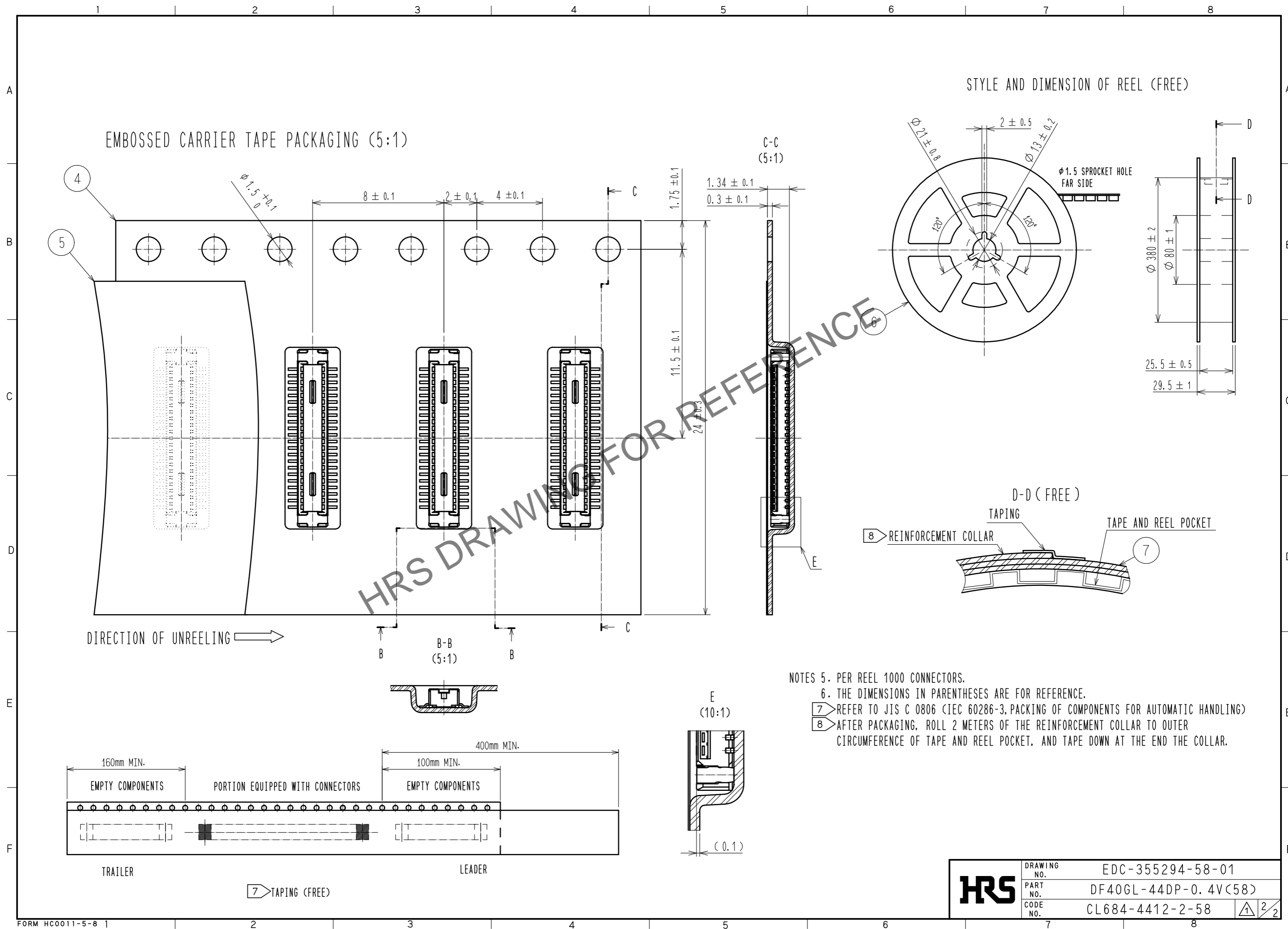
  

UNITS	SCALE	COUNT	DESCRIPTION OF REVISIONS	DESIGNED	CHECKED	DATE
mm	10 : 1	2	DIS-H-00006346	PAN YIWEI	YK. SATAKE	20200928

APPROVED	CHECKED	DESIGNED	DRAWN	DRAWING NO.	PART NO.	CODE NO.
MO. ISHIDA	WR. FUKUCHI	SJ. WADA	KR. AJITO	20150728	20150728	20150727
				EDC-355294-58-01	DF40GL-44DP-0.4V(58)	CL684-4412-2-58

Jun.1.2024 Copyright 2024 HIROSE ELECTRIC CO., LTD. All Rights Reserved.  
 In case of consideration for using Automotive equipment / device which demand high reliability, kindly contact our sales window correspondents.



<b>HRS</b>	DRAWING NO.	EDC-355294-58-01
	PART NO.	DF40GL-44DP-0.4V(58)
	CODE NO.	CL684-4412-2-58
		2/2