

# Motion SPM<sup>®</sup> 45 Series

## FNC42060F, FNC42060F2

### General Description

FNC42060F / FNC42060F2 is an advanced Motion SPM45 module providing a fully-featured, high-performance inverter output stage for AC Induction, BLDC, and PMSM motors. These modules integrate optimized gate drive of the built-in IGBTs to minimize EMI and losses, while also providing multiple on-module protection features including under-voltage lockouts, over-current shutdown, thermal monitoring, and fault reporting. The built-in, high-speed HVIC requires only a single supply voltage and translates the incoming logic-level gate inputs to the high-voltage, high-current drive signals required to properly drive the module's robust short-circuit-rated IGBTs. Separate negative IGBT terminals are available for each phase to support the widest variety of control algorithms.

### Features

- UL Certified No. E209204 (UL1557)
- 600 V – 20 A 3-Phase IGBT Inverter with Integral Gate Drivers and Protection
- Low Thermal Resistance Using Ceramic Substrate
- Low-Loss, Short-Circuit Rated IGBTs
- Built-In Bootstrap Diodes and Dedicated Vs Pins Simplify PCB Layout
- Built-In NTC Thermistor for Temperature Monitoring
- Separate Open-Emitter Pins from Low-Side IGBTs for Three-Phase Current Sensing
- Single-Grounded Power Supply
- Optimized for 5 kHz Switching Frequency
- Isolation Rating: 2000 V<sub>rms</sub> / Min.

### Applications

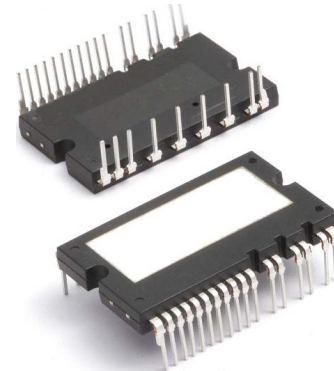
- Motion Control – Home Appliance / Industrial Motor

### Integrated Power Functions

- 600 V – 20 A IGBT Inverter for Three-phase DC / AC Power Conversion (Please Refer to Figure 2)

### Integrated Drive, Protection, and System Control Functions

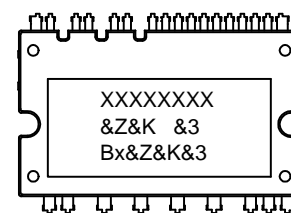
- For Inverter High-side IGBTs: Gate Drive Circuit, High-voltage Isolated High-speed Level Shifting Control Circuit Under-Voltage Lock-Out (UVLO) Protection
- For Inverter Low-side IGBTs: Gate Drive Circuit, Short-Circuit Protection (SCP) Control Supply Circuit Under-Voltage Lock-Out (UVLO) Protection
- Fault Signaling: Corresponding to UVLO (Low-side Supply) and SC Faults
- Input Interface: Active-HIGH Interface, Works with 3.3 / 5 V Logic, Schmitt Trigger Input



SPMAA-A26 / 26LD, PDD STD, CERAMIC TYPE,  
STANDARD DUAL FORM  
CASE MODFA

SPMAA-C26 / 26LD, PDD STD CERAMIC TYPE,  
LONG LEAD DUAL FORM TYPE  
CASE MODFC

### MARKING DIAGRAM



- XXXXXXX = Specific Device Code
- &Z = Assembly Plant Code
- &K = 2-Digits Lot Run Traceability Code
- &3 = 3-Digit Date Code
- Bx = Specific Product Name (x = A, G)

### ORDERING INFORMATION

See detailed ordering and shipping information on page 13 of this data sheet.

### Related Resources

- [AN-9070](#) – Motion SPM 45 Series Users Guide
- [AN-9071](#) – Motion SPM 45 Series Thermal Performance Information
- [AN-9072](#) – Motion SPM 45 Series Mounting Guidance
- RD-344 – Reference Design (Three Shunt Solution)
- RD-345 – Reference Design (One Shunt Solution)

# FNC42060F, FNC42060F2

## PIN CONFIGURATION

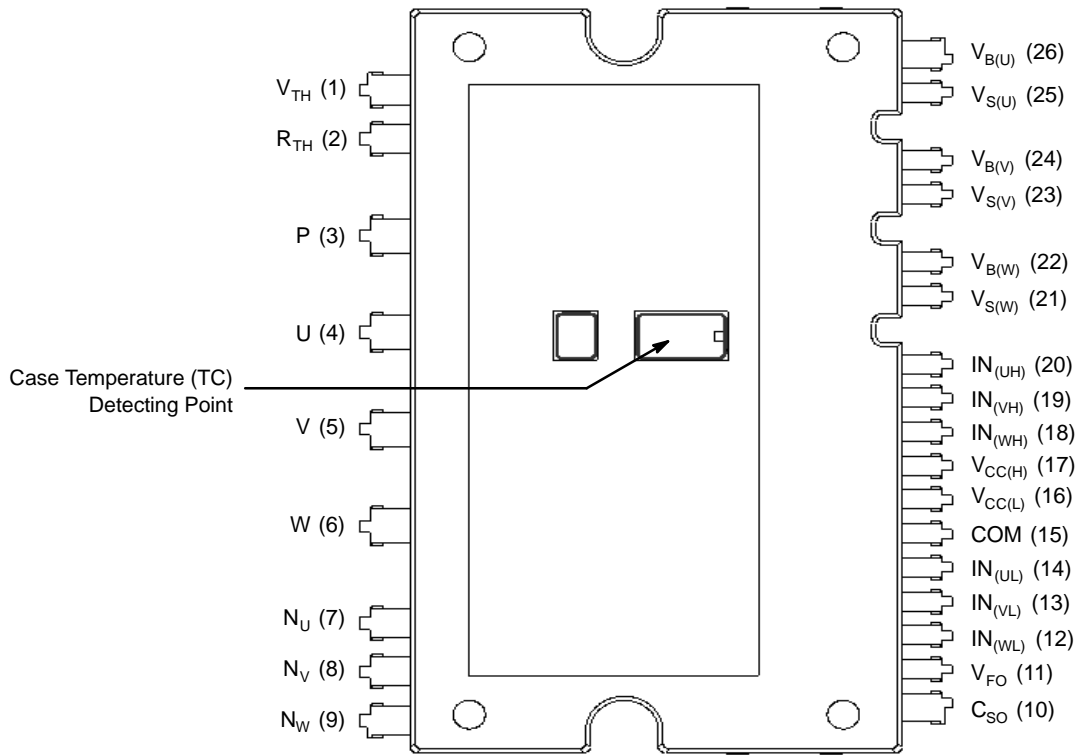


Figure 1. Top View

## PIN DESCRIPTIONS

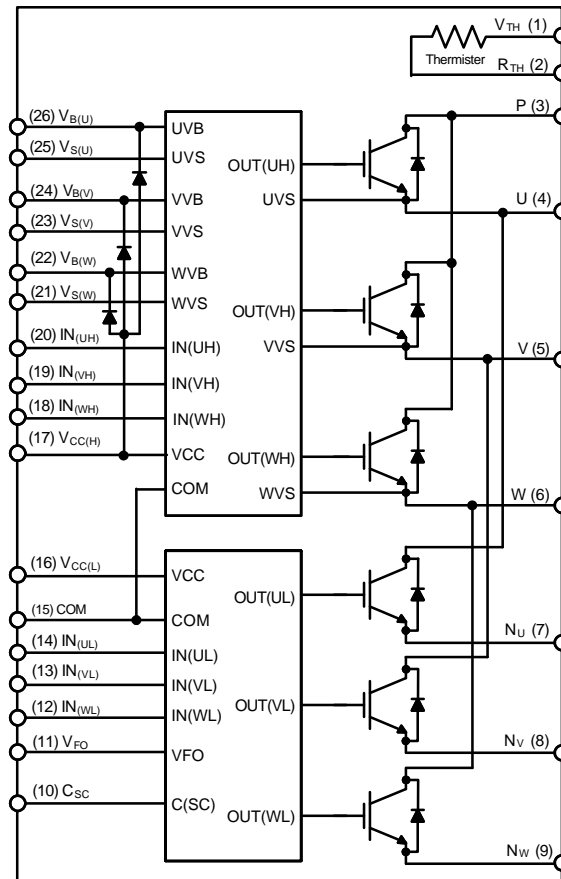
Pin Number	Pin Name	Pin Description
1	V <sub>TH</sub>	Thermistor Bias Voltage
2	R <sub>TH</sub>	Series Resistor for the Use of Thermistor (Temperature Detection)
3	P	Positive DC-Link Input
4	U	Output for U-Phase
5	V	Output for V-Phase
6	W	Output for W-Phase
7	N <sub>U</sub>	Negative DC-Link Input for U-Phase
8	N <sub>V</sub>	Negative DC-Link Input for V-Phase
9	N <sub>W</sub>	Negative DC-Link Input for W-Phase
10	C <sub>SC</sub>	Capacitor (Low-Pass Filter) for Short-circuit Current Detection Input
11	V <sub>FO</sub>	Fault Output
12	IN <sub>(WL)</sub>	Signal Input for Low-Side W-Phase
13	IN <sub>(VL)</sub>	Signal Input for Low-Side V-Phase
14	IN <sub>(UL)</sub>	Signal Input for Low-Side U-Phase
15	COM	Common Supply Ground
16	V <sub>CC(L)</sub>	Low-Side Common Bias Voltage for IC and IGBTs Driving
17	V <sub>CC(H)</sub>	High-Side Common Bias Voltage for IC and IGBTs Driving
18	IN <sub>(WH)</sub>	Signal Input for High-Side W-Phase

# FNC42060F, FNC42060F2

## PIN DESCRIPTIONS (continued)

Pin Number	Pin Name	Pin Description
19	IN(VH)	Signal Input for High-Side V-Phase
20	IN(UH)	Signal Input for High-Side U-Phase
21	VS(W)	High-Side Bias Voltage Ground for W-Phase IGBT Driving
22	VB(W)	High-Side Bias Voltage for W-Phase IGBT Driving
23	VS(V)	High-Side Bias Voltage Ground for V-Phase IGBT Driving
24	VB(V)	High-Side Bias Voltage for V-Phase IGBT Driving
25	VS(U)	High-Side Bias Voltage Ground for U-Phase IGBT Driving
26	VB(U)	High-Side Bias Voltage for U-Phase IGBT Driving

## INTERNAL EQUIVALENT CIRCUIT AND INPUT/OUTPUT PINS



**NOTE:**

1. Inverter high-side is composed of three IGBTs, freewheeling diodes, and one control IC for each IGBT.
2. Inverter low-side is composed of three IGBTs, freewheeling diodes, and one control IC for each IGBT. It has gate drive and protection functions.
3. Inverter power side is composed of four inverter DC-link input terminals and three inverter output terminals.

**Figure 2. Internal Block Diagram**

# FNC42060F, FNC42060F2

## ABSOLUTE MAXIMUM RATINGS ( $T_J = 25^\circ\text{C}$ unless otherwise specified)

Symbol	Parameter	Conditions	Rating	Unit
<b>INVERTER PART</b>				
$V_{PN}$	Supply Voltage	Applied between P – $N_U, N_V, N_W$	450	V
$V_{PN(\text{Surge})}$	Supply Voltage (Surge)	Applied between P – $N_U, N_V, N_W$	500	V
$V_{CES}$	Collector–Emitter Voltage		600	V
$\pm I_C$	Each IGBT Collector Current	$T_C = 25^\circ\text{C}, T_J < 150^\circ\text{C}$	20	A
$\pm I_{CP}$	Each IGBT Collector Current (Peak)	$T_C = 25^\circ\text{C}, T_J < 150^\circ\text{C}$ , Under 1 ms Pulse Width	40	A
$P_C$	Collector Dissipation	$T_C = 25^\circ\text{C}$ per Chip	50	W
$T_J$	Operating Junction Temperature	(Note 4)	–40–150	$^\circ\text{C}$

## CONTROL PART

$V_{CC}$	Control Supply Voltage	Applied between $V_{CC(H)}, V_{CC(L)} - \text{COM}$	20	V
$V_{BS}$	High–Side Control Bias Voltage	Applied between $V_{B(U)} - V_{S(U)}, V_{B(V)} - V_{S(V)}, V_{B(W)} - V_{S(W)}$	20	V
$V_{IN}$	Input Signal Voltage	Applied between $IN_{(UH)}, IN_{(VH)}, IN_{(WH)}, IN_{(UL)}, IN_{(VL)}, IN_{(WL)} - \text{COM}$	–0.3– $V_{CC} + 0.3$	V
$V_{FO}$	Fault Output Supply Voltage	Applied between $V_{FO} - \text{COM}$	–0.3– $V_{CC} + 0.3$	V
$I_{FO}$	Fault Output Current	Sink Current at $V_{FO}$ pin	1	mA
$V_{SC}$	Current–Sensing Input Voltage	Applied between $C_{SC} - \text{COM}$	–0.3– $V_{CC} + 0.3$	V

## BOOTSTRAP DIODE PART

$V_{RRM}$	Maximum Repetitive Reverse Voltage		600	V
$I_F$	Forward Current	$T_C = 25^\circ\text{C}, T_J < 150^\circ\text{C}$	0.50	A
$I_{FP}$	Forward Current (Peak)	$T_C = 25^\circ\text{C}, T_J < 150^\circ\text{C}$ , Under 1 ms Pulse Width	1.50	A
$T_J$	Operating Junction Temperature		–40–150	$^\circ\text{C}$

## TOTAL SYSTEM

$V_{PN(\text{PROT})}$	Self–Protection Supply Voltage Limit (Short–Circuit Protection Capability)	$V_{CC} = V_{BS} = 13.5\text{--}16.5\text{ V}$ $T_J = 150^\circ\text{C}$ , Non–Repetitive, $< 2\ \mu\text{s}$	400	V
$T_{STG}$	Storage Temperature		–40–125	$^\circ\text{C}$
$V_{ISO}$	Isolation Voltage	60 Hz, Sinusoidal, AC 1 Minute, Connect Pins to Heat Sink Plate	2000	$V_{rms}$

Stresses exceeding those listed in the Maximum Ratings table may damage the device. If any of these limits are exceeded, device functionality should not be assumed, damage may occur and reliability may be affected.

4. The maximum junction temperature rating of the power chips integrated within the Motion SPM 45 product is  $150^\circ\text{C}$ .

## THERMAL RESISTANCE

Symbol	Parameter	Conditions	Min	Typ	Max	Unit
$R_{th(j-c)Q}$	Junction to Case Thermal Resistance	Inverter IGBT part, (Per 1 / 6 Module)	–	–	2.5	$^\circ\text{C/W}$
$R_{th(j-c)F}$		Inverter FWDi part, (Per 1 / 6 Module)	–	–	3.6	$^\circ\text{C/W}$

5. For the measurement point of case temperature ( $T_C$ ), please refer to Figure 1.

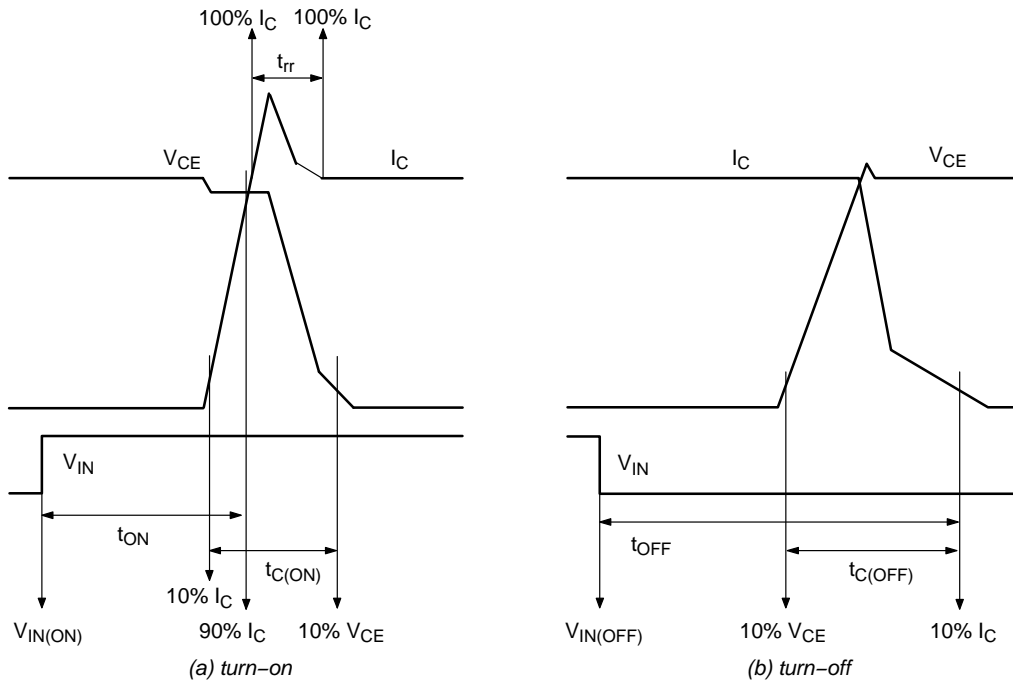
# FNC42060F, FNC42060F2

## ELECTRICAL CHARACTERISTICS ( $T_J = 25^\circ\text{C}$ unless otherwise specified)

Symbol	Parameter	Conditions	Min	Typ	Max	Unit	
<b>INVERTER PART</b>							
$V_{CE(SAT)}$	Collector-Emitter Saturation Voltage	$V_{CC} = V_{BS} = 15\text{ V}$ $V_{IN} = 5\text{ V}$		1.85	2.35	V	
$V_F$	FWDi Forward Voltage	$V_{IN} = 0\text{ V}$		1.95	2.45	V	
HS	$t_{ON}$	Switching Times $V_{PN} = 300\text{ V}$ , $V_{CC} = V_{BS} = 15\text{ V}$ , $I_C = 20\text{ A}$ , $T_J = 25^\circ\text{C}$ $V_{IN} = 0\text{ V} \leftrightarrow 5\text{ V}$ , Inductive Load (Note 6)	0.45	0.75	1.25	$\mu\text{s}$	
			$t_{C(ON)}$	–	0.20	0.45	$\mu\text{s}$
			$t_{OFF}$	–	0.70	1.20	$\mu\text{s}$
			$t_{C(OFF)}$	–	0.15	0.40	$\mu\text{s}$
			$t_{rr}$	–	0.15	–	$\mu\text{s}$
LS	$t_{ON}$	$V_{PN} = 300\text{ V}$ , $V_{CC} = V_{BS} = 15\text{ V}$ , $I_C = 20\text{ A}$ , $T_J = 25^\circ\text{C}$ $V_{IN} = 0\text{ V} \leftrightarrow 5\text{ V}$ , Inductive Load (Note 6)	0.45	0.75	1.25	$\mu\text{s}$	
			$t_{C(ON)}$	–	0.20	0.45	$\mu\text{s}$
			$t_{OFF}$	–	0.75	1.25	$\mu\text{s}$
			$t_{C(OFF)}$	–	0.15	0.40	$\mu\text{s}$
			$t_{rr}$	–	0.15	–	$\mu\text{s}$
$I_{CES}$	Collector – Emitter Leakage Current	$V_{CE} = V_{CES}$	–	–	5	mA	

Product parametric performance is indicated in the Electrical Characteristics for the listed test conditions, unless otherwise noted. Product performance may not be indicated by the Electrical Characteristics if operated under different conditions.

6.  $t_{ON}$  and  $t_{OFF}$  include the propagation delay time of the internal drive IC.  $t_{C(ON)}$  and  $t_{C(OFF)}$  are the switching times of IGBT itself under the given gate driving condition internally. For the detailed information, please see Figure 3.



**Figure 3. Switching Time Definition**

# FNC42060F, FNC42060F2

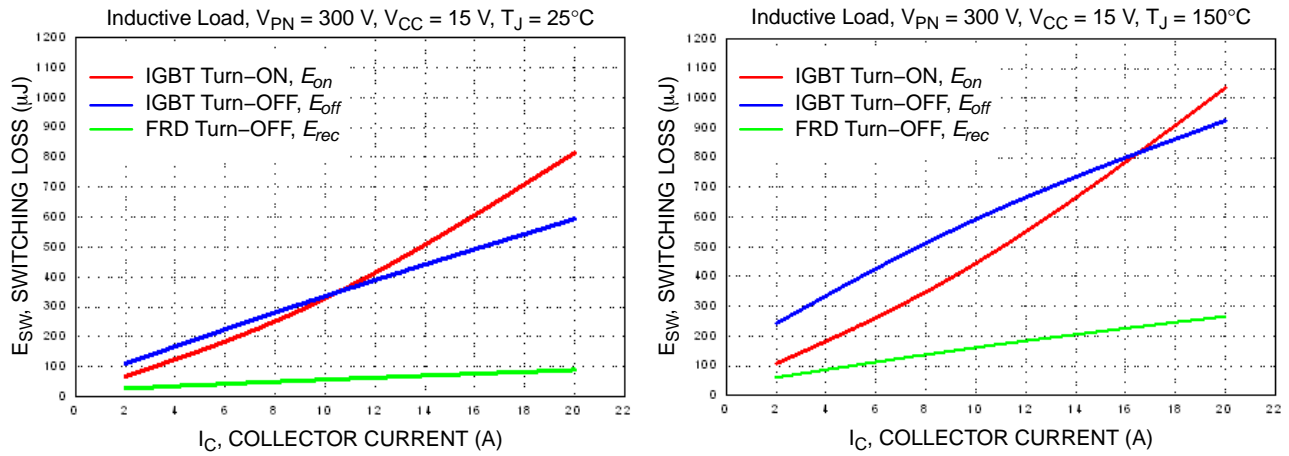


Figure 4. Switching Loss Characteristics (Typical)

## ELECTRICAL CHARACTERISTICS ( $T_J = 25^\circ\text{C}$ unless otherwise specified)

Symbol	Parameter	Conditions	Min	Typ	Max	Unit	
<b>CONTROL PART</b>							
$I_{QCCH}$	Quiescent $V_{CC}$ Supply Current	$V_{CC(H)} = 15\text{ V}$ , $I_{N(UH, VH, WH)} = 0\text{ V}$	$V_{CC(H)} - \text{COM}$	–	–	0.10	mA
$I_{QCCL}$		$V_{CC(L)} = 15\text{ V}$ , $I_{N(UL, VL, WL)} = 0\text{ V}$	$V_{CC(L)} - \text{COM}$	–	–	2.65	mA
$I_{PCCH}$	Operating $V_{CC}$ Supply Current	$V_{CC(L)} = 15\text{ V}$ , $f_{PWM} = 20\text{ kHz}$ , Duty = 50%, Applied to One PWM Signal Input for High-Side	$V_{CC(H)} - \text{COM}$	–	–	0.15	mA
$I_{PCCL}$		$V_{CC(L)} = 15\text{ V}$ , $f_{PWM} = 20\text{ kHz}$ , Duty = 50%, Applied to One PWM Signal Input for Low-Side	$V_{CC(L)} - \text{COM}$	–	–	4.00	mA
$I_{QBS}$	Quiescent $V_{BS}$ Supply Current	$V_{BS} = 15\text{ V}$ , $I_{N(UH, VH, WH)} = 0\text{ V}$	$V_{B(U)} - V_{S(U)}$ , $V_{B(V)} - V_{S(V)}$ , $V_{B(W)} - V_{S(W)}$	–	–	0.30	mA
$I_{PBS}$	Operating $V_{BS}$ Supply Current	$V_{CC} = V_{BS} = 15\text{ V}$ , $f_{PWM} = 20\text{ kHz}$ , Duty = 50%, Applied to One PWM Signal Input for High-Side	$V_{B(U)} - V_{S(U)}$ , $V_{B(V)} - V_{S(V)}$ , $V_{B(W)} - V_{S(W)}$	–	–	2.00	mA
$V_{FOH}$	Fault Output Voltage	$V_{SC} = 0\text{ V}$ , $V_{FO}$ Circuit: 10 k $\Omega$ to 5 V Pull-up		4.5	–	–	V
$V_{FOL}$		$V_{SC} = 1\text{ V}$ , $V_{FO}$ Circuit: 10 k $\Omega$ to 5 V Pull-up		–	–	0.5	V
$V_{SC(ref)}$	Short-Circuit Current Trip Level	$V_{CC} = 15\text{ V}$ (Note 7)		0.45	0.50	0.55	V
$UV_{CCD}$	Supply Circuit Under-Voltage Protection	Detection level		10.5	–	13.0	V
$UV_{CCR}$		Reset level		11.0	–	13.5	V
$UV_{BSD}$		Detection level		10.0	–	12.5	V
$UV_{BSR}$		Reset level		10.5	–	13.0	V
$t_{FOD}$	Fault-Out Pulse Width			30	–	–	$\mu\text{s}$
$V_{IN(ON)}$	ON Threshold Voltage	Applied between $I_{N(UH)}$ , $I_{N(VH)}$ , $I_{N(WH)}$ , $I_{N(UL)}$ , $I_{N(VL)}$ , $I_{N(WL)} - \text{COM}$		–	–	2.6	V
$V_{IN(OFF)}$	OFF Threshold Voltage			0.8	–	–	V
$R_{TH}$	Resistance of Thermister	@ $T_{TH} = 25^\circ\text{C}$ , (Note 8)		–	47	–	k $\Omega$
		@ $T_{TH} = 100^\circ\text{C}$		–	2.9	–	k $\Omega$

Product parametric performance is indicated in the Electrical Characteristics for the listed test conditions, unless otherwise noted. Product performance may not be indicated by the Electrical Characteristics if operated under different conditions.

7. Short-circuit protection is functioning only at the low-sides.

8.  $T_{TH}$  is the temperature of thermister itself. To know case temperature ( $T_C$ ), please make the experiment considering your application.

# FNC42060F, FNC42060F2

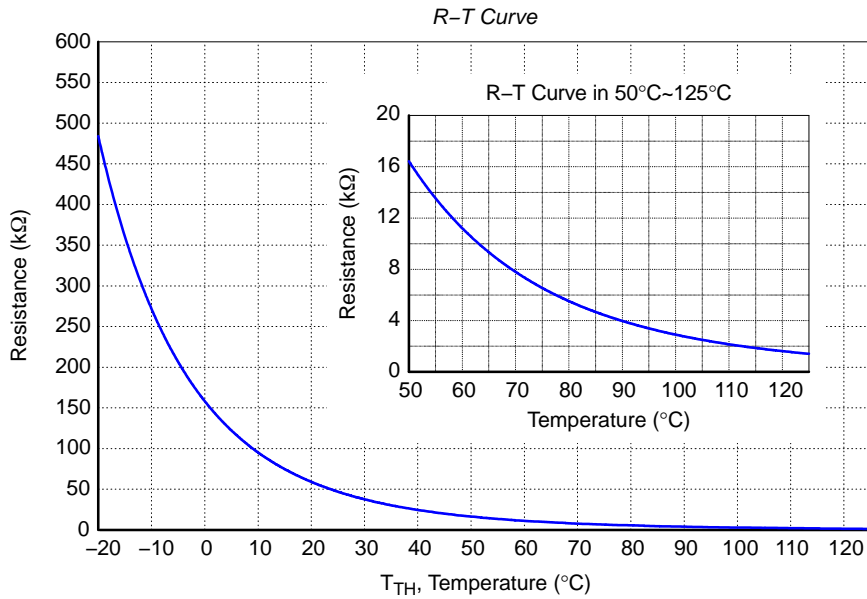


Figure 5. R-T Curve of The Built-In Thermistor

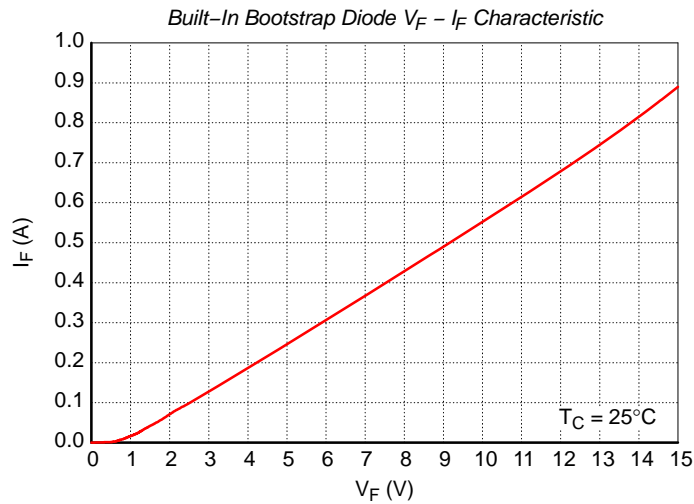
## ELECTRICAL CHARACTERISTICS (T<sub>J</sub> = 25°C unless otherwise specified)

Symbol	Parameter	Conditions	Min	Typ	Max	Unit
--------	-----------	------------	-----	-----	-----	------

### BOOTSTRAP DIODE PART

V <sub>F</sub>	Forward Voltage	I <sub>F</sub> = 0.1 A, T <sub>C</sub> = 25°C	-	2.5	-	V
t <sub>rr</sub>	Reverse-Recovery Time	I <sub>F</sub> = 0.1 A, T <sub>C</sub> = 25°C	-	80	-	ns

Product parametric performance is indicated in the Electrical Characteristics for the listed test conditions, unless otherwise noted. Product performance may not be indicated by the Electrical Characteristics if operated under different conditions.



NOTE:

- Build-in bootstrap diode includes around 15 Ω resistance characteristic.

Figure 6. R-T Curve of The Built-In Thermistor

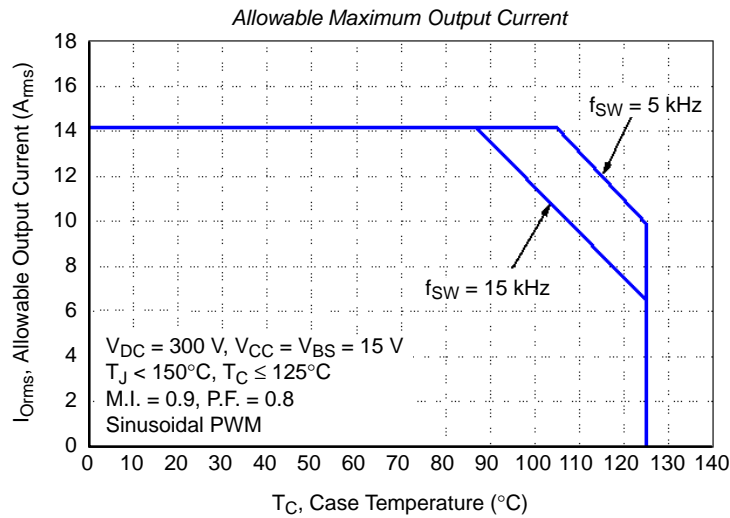
# FNC42060F, FNC42060F2

## RECOMMENDED OPERATING CONDITIONS

Symbol	Parameter	Conditions	Min	Typ	Max	Unit
$V_{PN}$	Supply Voltage	Applied between P – $N_U$ , $N_V$ , $N_W$	–	300	400	V
$V_{CC}$	Control Supply Voltage	Applied between $V_{CC(H)}$ , $V_{CC(L)} - COM$	13.5	15.0	16.5	V
$V_{BS}$	High-Side Bias Voltage	Applied between $V_{B(U)} - V_{S(U)}$ , $V_{B(V)} - V_{S(V)}$ , $V_{B(W)} - V_{S(W)}$	13.0	15.0	18.5	V
$dV_{CC}/dt$ , $dV_{BS}/dt$	Control Supply Variation		–1	–	1	V / $\mu$ s
$t_{dead}$	Blanking Time for Preventing Arm-Short	For each input signal	1.5	–	–	$\mu$ s
$f_{PWM}$	PWM Input Signal	$-40^\circ\text{C} < T_J < 150^\circ\text{C}$	–	–	20	kHz
$V_{SEN}$	Voltage for Current Sensing	Applied between $N_U$ , $N_V$ , $N_W - COM$ (Including Surge-Voltage)	–4	–	4	V
$P_{WIN(ON)}$	Minimum Input Pulse Width	(Note 10)	0.7	–	–	$\mu$ s
$P_{WIN(OFF)}$			0.7	–	–	

Functional operation above the stresses listed in the Recommended Operating Ranges is not implied. Extended exposure to stresses beyond the Recommended Operating Ranges limits may affect device reliability.

10. This product might not make response if input pulse width is less than the recommended value.



NOTE:

11. This allowable output current value is the reference data for the safe operation of this product. This may be different from the actual application and operating condition.

**Figure 7. Allowable Maximum Output Current**



# FNC42060F, FNC42060F2

## MECHANICAL CHARACTERISTICS AND RATINGS

Parameter	Conditions	Min	Typ	Max	Unit	
Device Flatness	See Figure 8	0	–	+120	$\mu\text{m}$	
Mounting Torque	Mounting Screw: M3 See Figure 9	Recommended 0.7 N • m	0.6	0.7	0.8	N • m
		Recommended 7.1 kg • cm	6.2	7.1	8.1	kg • cm
Weight		–	11.00	–	g	

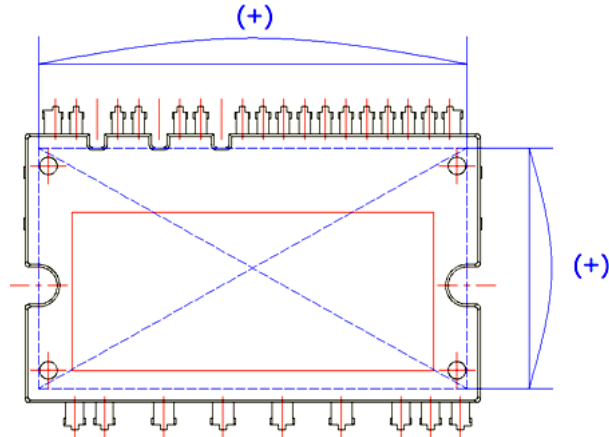
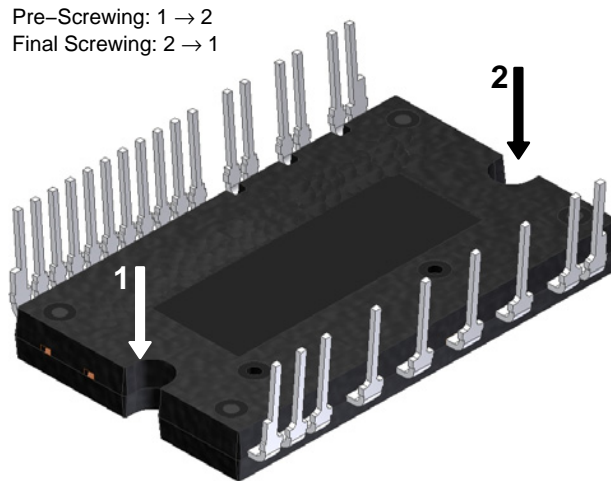


Figure 8. Flatness Measurement Position



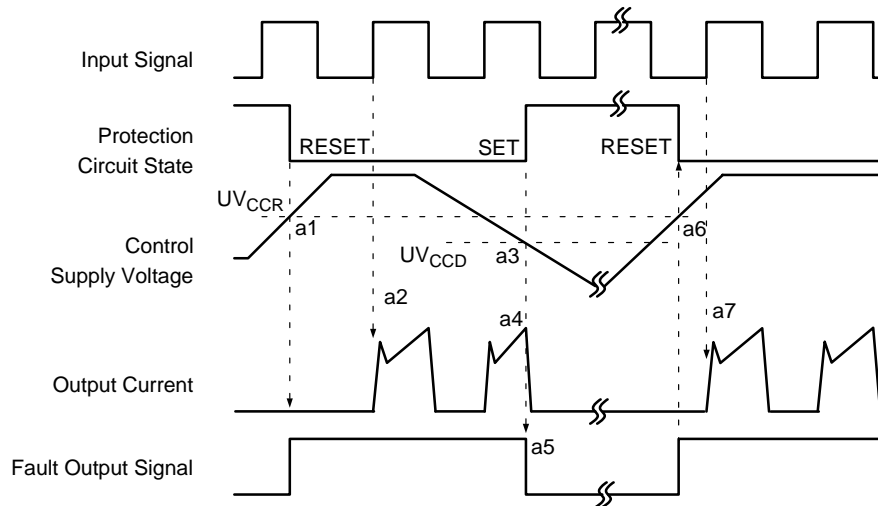
**NOTES:**

- 12. Do not make over torque when mounting screws. Much mounting torque may cause ceramic cracks, as well as bolts and Al heat-sink destruction.
- 13. Avoid one side tightening stress. Figure 9 shows the recommended torque order for mounting screws. Uneven mounting can cause the ceramic substrate of the SPM 45 package to be damaged. The pre-screwing torque is set to 20~30% of maximum torque rating.

Figure 9. Mounting Screws Torque Order

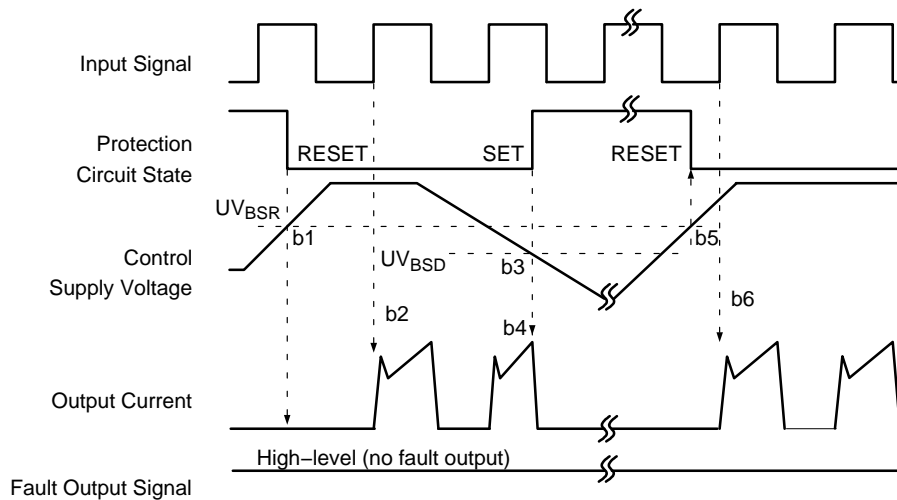
# FNC42060F, FNC42060F2

## TIME CHARTS OF PROTECTIVE FUNCTION



- a1: Control supply voltage rises: after the voltage rises  $UV_{CCR}$ , the circuits start to operate when next input is applied.
- a2: Normal operation: IGBT ON and carrying current.
- a3: Under-voltage detection ( $UV_{CCD}$ ).
- a4: IGBT OFF in spite of control input condition.
- a5: Fault output operation starts.
- a6: Under-voltage reset ( $UV_{CCR}$ ).
- a7: Normal operation: IGBT ON and carrying current.

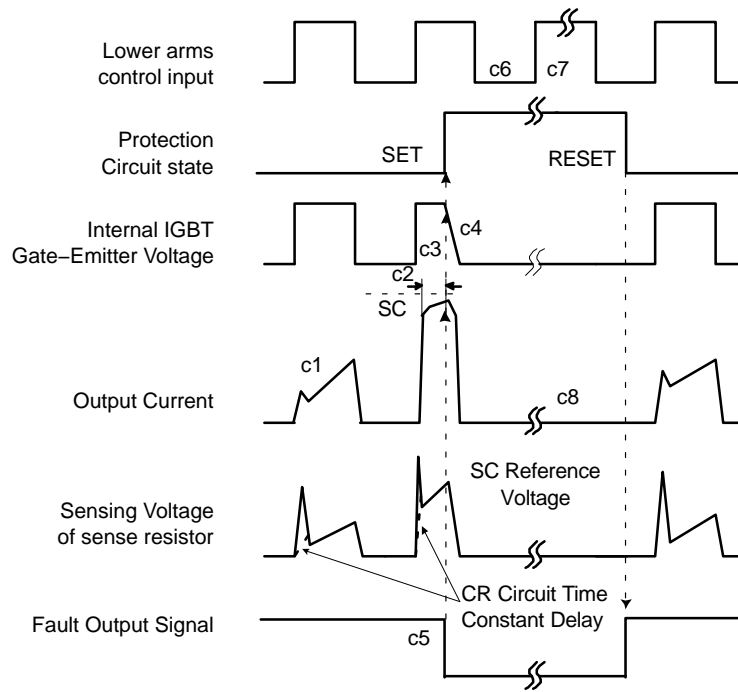
**Figure 10. Under-Voltage Protection (Low-Side)**



- b1: Control supply voltage rises: after the voltage reaches  $UV_{BSR}$ , the circuits start to operate when next input is applied.
- b2: Normal operation: IGBT ON and carrying current.
- b3: Under-voltage detection ( $UV_{BSD}$ ).
- b4: IGBT OFF in spite of control input condition, but there is no fault output signal.
- b5: Under-voltage reset ( $UV_{BSR}$ ).
- b6: Normal operation: IGBT ON and carrying current.

**Figure 11. Under-Voltage Protection (High-Side)**

## FNC42060F, FNC42060F2

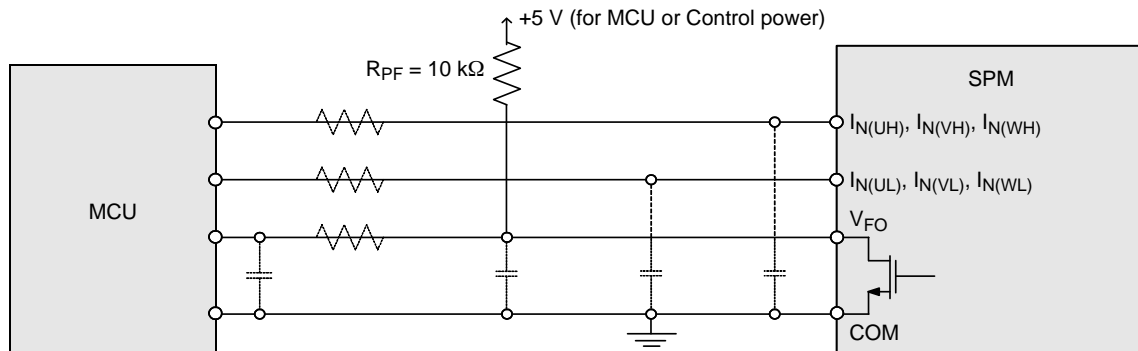


(with the external shunt resistance and CR connection)

- c1: Normal operation: IGBT ON and carrying current.
- c2: Short-circuit current detection (SC trigger).
- c3: Hard IGBT gate interrupt.
- c4: IGBT turns OFF.
- c5: Input "LOW": IGBT OFF state.
- c6: Input "HIGH": IGBT ON state, but during the active period of fault output, the IGBT doesn't turn ON.
- c7: IGBT OFF state.

**Figure 12. Short-Circuit Protection (Low-Side Operation Only)**

## INPUT/OUTPUT INTERFACE CIRCUIT

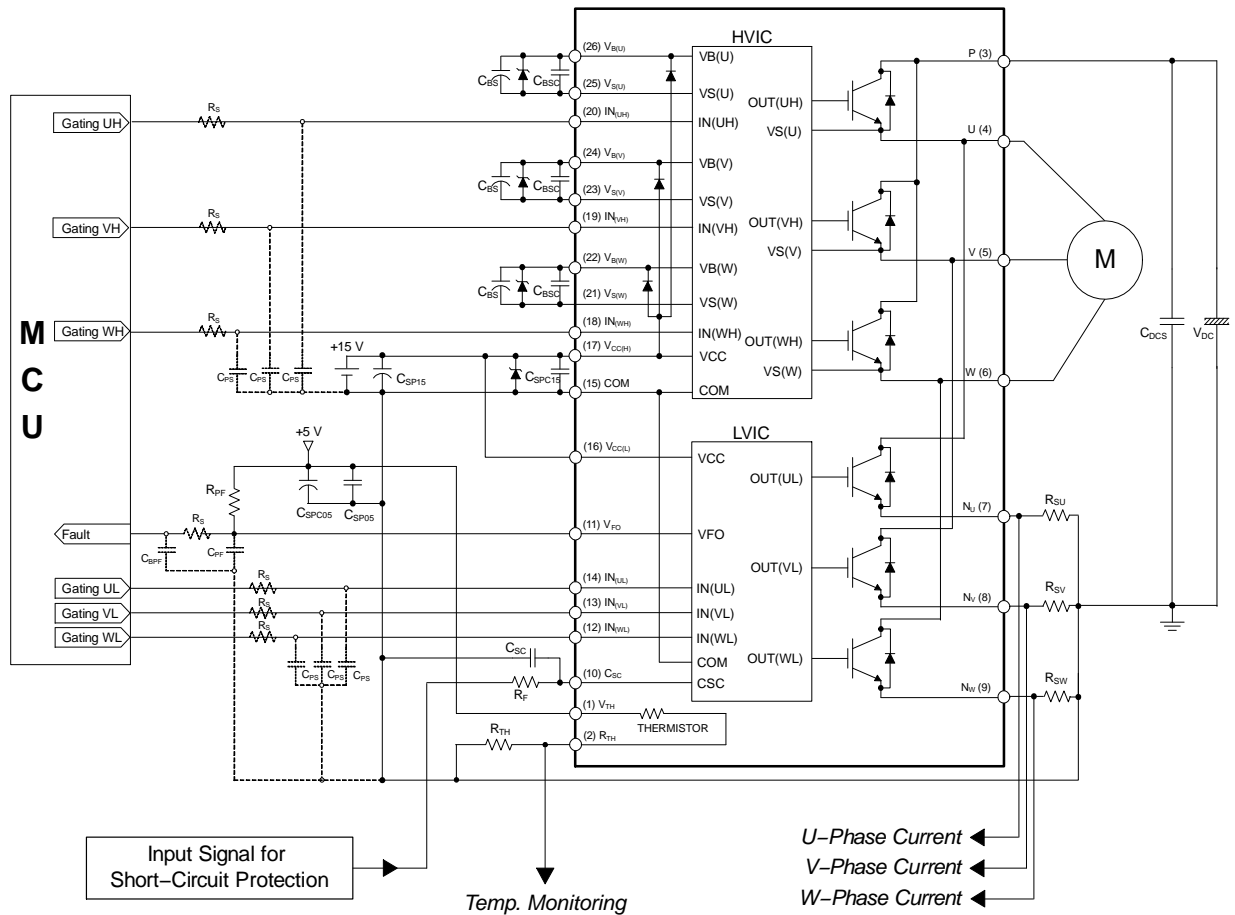


NOTE:

14. RC coupling at each input (parts shown dotted) might change depending on the PWM control scheme in the application and the wiring impedance of the application's printed circuit board. The input signal section of the Motion SPM 45 product integrates a 5 kΩ (typ.) pull-down resistor. Therefore, when using an external filtering resistor, pay attention to the signal voltage drop at input terminal.

**Figure 13. Recommended MCU I/O Interface Circuit**

# FNC42060F, FNC42060F2



**NOTES:**

15. To avoid malfunction, the wiring of each input should be as short as possible (less than 2–3 cm).
16. By virtue of integrating an application-specific type of HVIC inside the Motion SPM 45 product, direct coupling to MCU terminals without any optocoupler or transformer isolation is possible.
17. V<sub>FO</sub> output is open-drain type. This signal line should be pulled up to the positive side of the MCU or control power supply with a resistor that makes I<sub>FO</sub> up to 1 mA (please refer to Figure 13).
18. C<sub>SP15</sub> of around seven times larger than bootstrap capacitor C<sub>BS</sub> is recommended.
19. Input signal is active-HIGH type. There is a 5 kΩ resistor inside the IC to pull down each input signal line to GND. RC coupling circuits are recommended for the prevention of input signal oscillation. R<sub>S</sub>C<sub>PS</sub> time constant should be selected in the range 50~50 ns (recommended R<sub>S</sub> = 100 Ω, C<sub>PS</sub> = 1 nF).
20. To prevent errors of the protection function, the wiring around R<sub>F</sub> and C<sub>SC</sub> should be as short as possible.
21. In the short-circuit protection circuit, please select the R<sub>F</sub>C<sub>SC</sub> time constant in the range 1.5~2 μs.
22. The connection between control GND line and power GND line which includes the N<sub>U</sub>, N<sub>V</sub>, N<sub>W</sub> must be connected to only one point. Please do not connect the control GND to the power GND by the broad pattern. Also, the wiring distance between control GND and power GND should be as short as possible.
23. Each capacitor should be mounted as close to the pins of the Motion SPM 45 product as possible.
24. To prevent surge destruction, the wiring between the smoothing capacitor and the P & GND pins should be as short as possible. The use of a high-frequency non-inductive capacitor of around 0.1~0.22 μF between the P and GND pins is recommended.
25. Relays are used in almost every systems of electrical equipment in home appliances. In these cases, there should be sufficient distance between the MCU and the relays.
26. The zener diode or transient voltage suppressor should be adopted for the protection of ICs from the surge destruction between each pair of control supply terminals (recommended zener diode is 22 V / 1 W, which has the lower zener impedance characteristic than about 15 Ω).
27. Please choose the electrolytic capacitor with good temperature characteristic in C<sub>BS</sub>. Also, choose 0.1~0.2 μF R-category ceramic capacitors with good temperature and frequency characteristics in C<sub>BSC</sub>.
28. For the detailed information, please refer to the AN-9070, AN-9071, AN-9072, RD-344, and RD-345.

**Figure 14. Typical Application Circuit**

## FNC42060F, FNC42060F2

### ORDERING INFORMATION

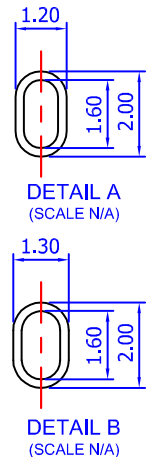
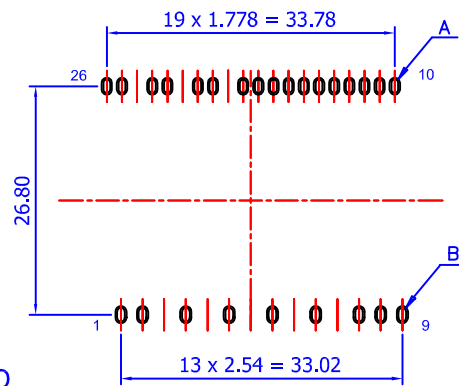
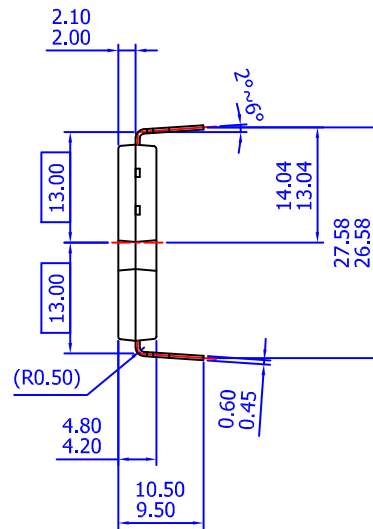
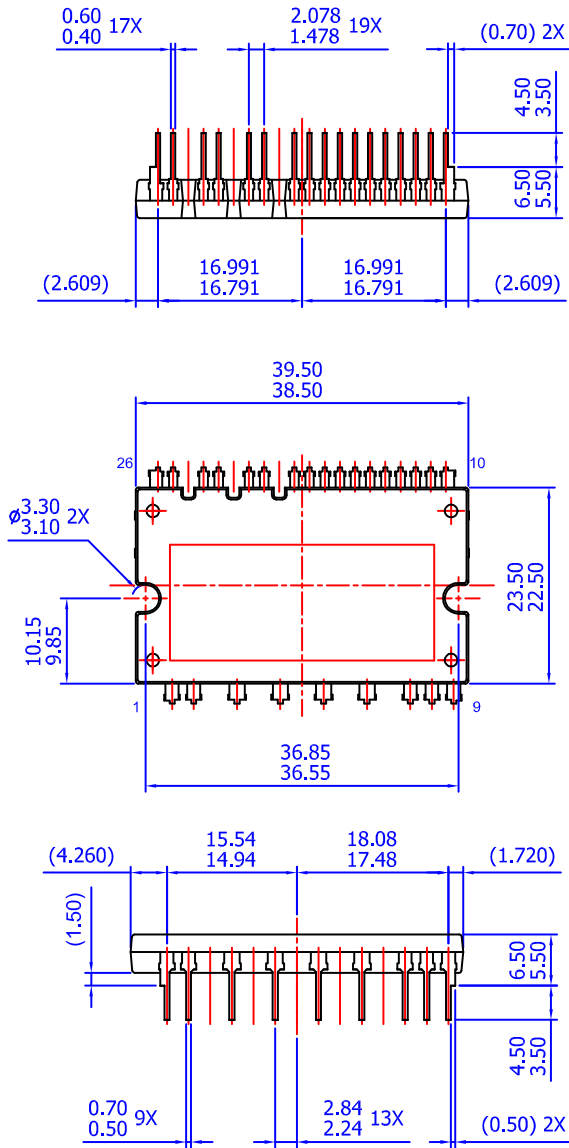
Device	Device Marking	Package	Shipping
FNC42060F	FNC42060F	SPMAA-A26	12 Units / Rail
FNC42060F2	FNC42060F2	SPMAA-C26	12 Units / Rail

SPM is a registered trademark of Semiconductor Components Industries, LLC dba "onsemi" or its affiliates and/or subsidiaries in the United States and/or other countries.

# FNC42060F, FNC42060F2

## PACKAGE DIMENSIONS

SPMAA-A26 / 26LD, PDD STD, CERAMIC TYPE, STANDARD DUAL FORM  
CASE MODFA  
ISSUE O



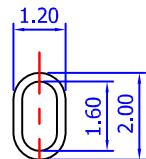
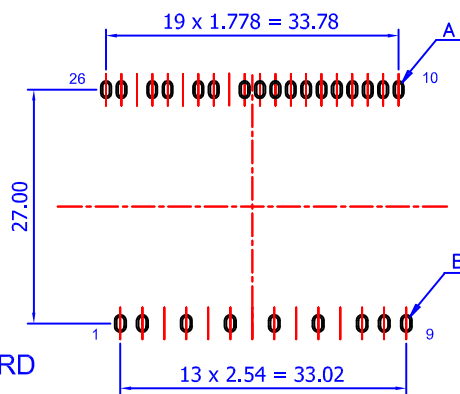
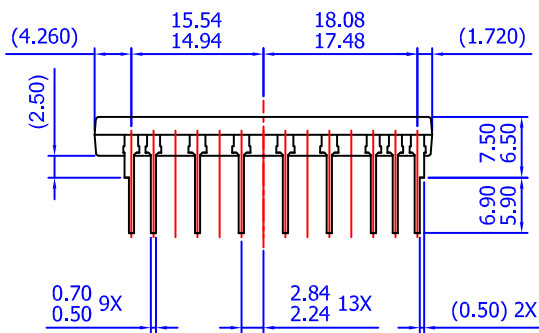
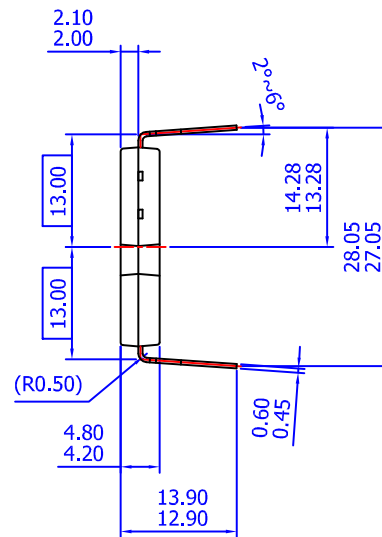
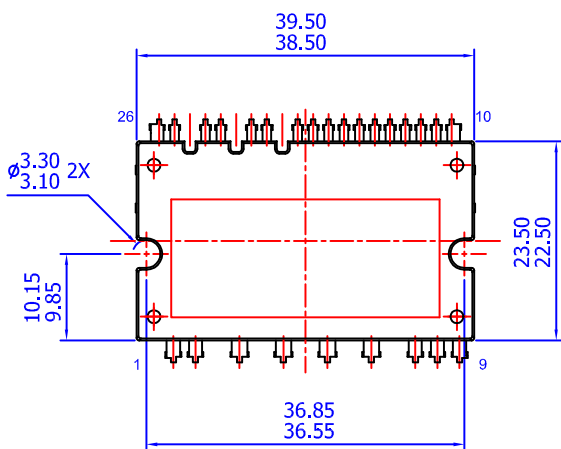
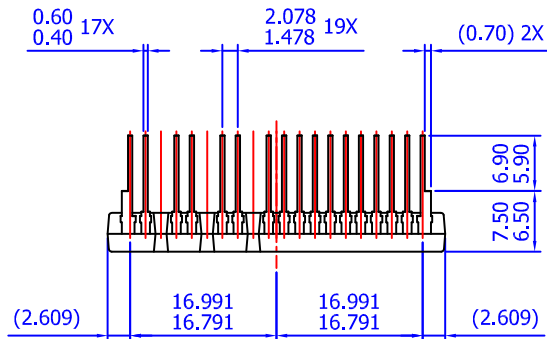
NOTES: UNLESS OTHERWISE SPECIFIED  
A) THIS PACKAGE DOES NOT COMPLY TO ANY CURRENT PACKAGING STANDARD  
B) ALL DIMENSIONS ARE IN MILLIMETERS  
C) DIMENSIONS ARE EXCLUSIVE OF BURRS, MOLD FLASH, AND TIE BAR EXTRUSIONS  
D) ( ) IS REFERENCE

## LAND PATTERN RECOMMENDATIONS

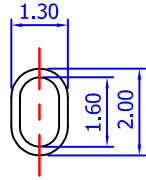
# FNC42060F, FNC42060F2

## PACKAGE DIMENSIONS

SPMAA-C26 / 26LD, PDD STD CERAMIC TYPE, LONG LEAD DUAL FORM TYPE  
CASE MODFC  
ISSUE O



DETAIL A  
(SCALE N/A)



DETAIL B  
(SCALE N/A)

- NOTES: UNLESS OTHERWISE SPECIFIED  
A) THIS PACKAGE DOES NOT COMPLY TO ANY CURRENT PACKAGING STANDARD  
B) ALL DIMENSIONS ARE IN MILLIMETERS  
C) DIMENSIONS ARE EXCLUSIVE OF BURRS, MOLD FLASH, AND TIE BAR EXTRUSIONS  
D) ( ) IS REFERENCE

## LAND PATTERN RECOMMENDATIONS

## FNC42060F, FNC42060F2

**onsemi**, **Onsemi**, and other names, marks, and brands are registered and/or common law trademarks of Semiconductor Components Industries, LLC dba "**onsemi**" or its affiliates and/or subsidiaries in the United States and/or other countries. **onsemi** owns the rights to a number of patents, trademarks, copyrights, trade secrets, and other intellectual property. A listing of **onsemi**'s product/patent coverage may be accessed at [www.onsemi.com/site/pdf/Patent-Marking.pdf](http://www.onsemi.com/site/pdf/Patent-Marking.pdf). **onsemi** reserves the right to make changes at any time to any products or information herein, without notice. The information herein is provided "as-is" and **onsemi** makes no warranty, representation or guarantee regarding the accuracy of the information, product features, availability, functionality, or suitability of its products for any particular purpose, nor does **onsemi** assume any liability arising out of the application or use of any product or circuit, and specifically disclaims any and all liability, including without limitation special, consequential or incidental damages. Buyer is responsible for its products and applications using **onsemi** products, including compliance with all laws, regulations and safety requirements or standards, regardless of any support or applications information provided by **onsemi**. "Typical" parameters which may be provided in **onsemi** data sheets and/or specifications can and do vary in different applications and actual performance may vary over time. All operating parameters, including "Typicals" must be validated for each customer application by customer's technical experts. **onsemi** does not convey any license under any of its intellectual property rights nor the rights of others. **onsemi** products are not designed, intended, or authorized for use as a critical component in life support systems or any FDA Class 3 medical devices or medical devices with a same or similar classification in a foreign jurisdiction or any devices intended for implantation in the human body. Should Buyer purchase or use **onsemi** products for any such unintended or unauthorized application, Buyer shall indemnify and hold **onsemi** and its officers, employees, subsidiaries, affiliates, and distributors harmless against all claims, costs, damages, and expenses, and reasonable attorney fees arising out of, directly or indirectly, any claim of personal injury or death associated with such unintended or unauthorized use, even if such claim alleges that **onsemi** was negligent regarding the design or manufacture of the part. **onsemi** is an Equal Opportunity/Affirmative Action Employer. This literature is subject to all applicable copyright laws and is not for resale in any manner.

### ADDITIONAL INFORMATION

#### TECHNICAL PUBLICATIONS:

Technical Library: [www.onsemi.com/design/resources/technical-documentation](http://www.onsemi.com/design/resources/technical-documentation)  
onsemi Website: [www.onsemi.com](http://www.onsemi.com)

#### ONLINE SUPPORT: [www.onsemi.com/support](http://www.onsemi.com/support)

For additional information, please contact your local Sales Representative at [www.onsemi.com/support/sales](http://www.onsemi.com/support/sales)