

MICRO SWITCH

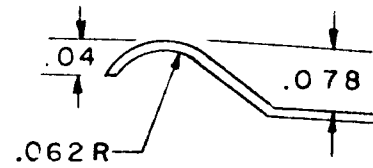
A DIVISION OF MINNEAPOLIS-HONEYWELL REGULATOR COMPANY
 REG. PAT. 2,811,100
 DESIGNED IN U.S.A.

FED MFR CODE 91929

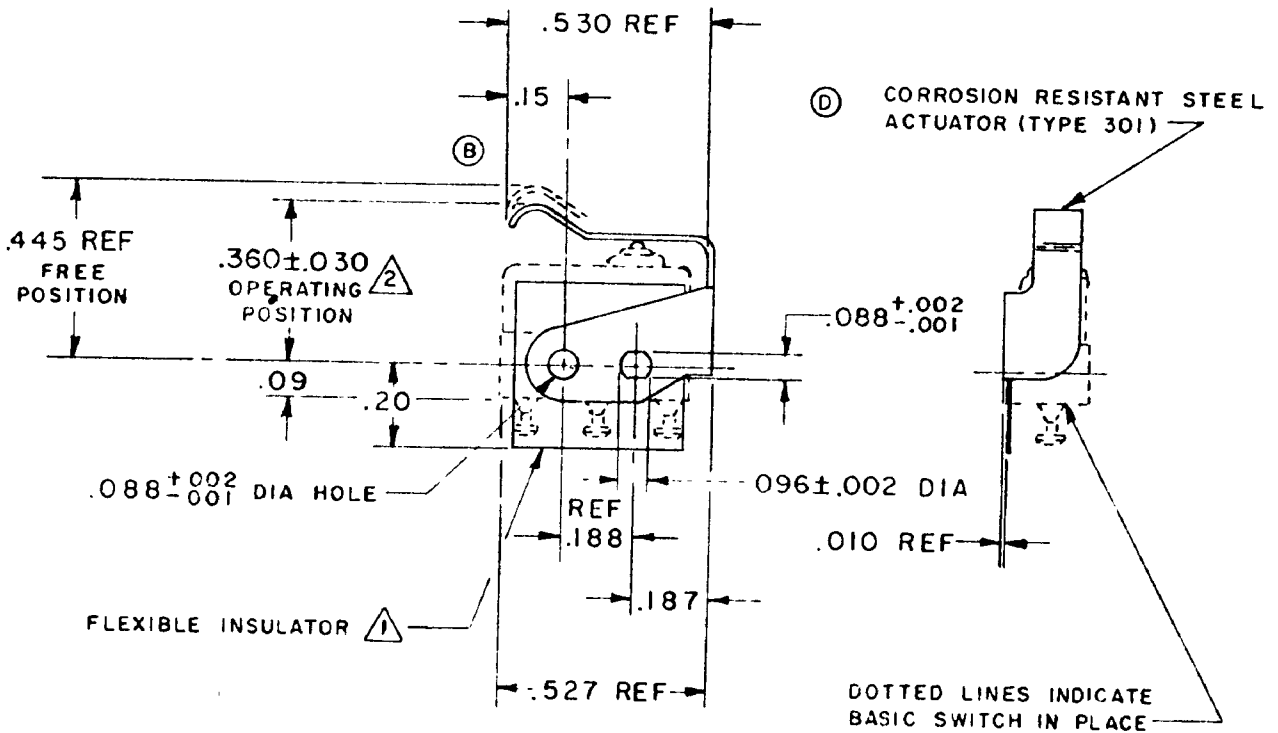
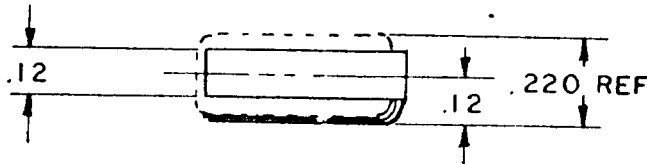
ACTUATOR-SWITCH

CATALOG LISTING

JX-70



LEVER DETAIL



NOTE-



① FURNISHED UNASSEMBLED
 ② SLIGHT ROTATION BETWEEN BASIC AND ACTUATOR MAY BE NECESSARY TO OBTAIN OPERATING POSITION, BASED ON USING NO. 2-56 MACHINE SCREWS

THIS DRAWING COVERS A PROPRIETARY ITEM AND IS THE PROPERTY OF MICRO SWITCH. A DIVISION OF MINNEAPOLIS-HONEYWELL REGULATOR CO. THIS DRAWING IS NOT TO BE COPIED OR USED WITHOUT THE APPROVAL OF MICRO SWITCH.

CHARACTERISTICS WITH ISX1-T BASIC SWITCH INSTALLED

OPERATING FORCE	----- 9 OZ MAX
RELEASE FORCE	----- 2 OZ MIN
DIFFERENTIAL TRAVEL	----- .025 MAX
OVERTRAVEL	----- .015 MIN

ELECTRICAL DATA

CONTACT ARRANGEMENT	BREAK DISTANCE
---------------------	----------------

SCALE 2 TO 1

DO NOT SCALE PRINT

UNLESS OTHERWISE SPECIFIED

DIMENSIONS ARE IN INCHES

TOLERANCES ARE:

ONE PLACE ()	±.030
TWO PLACE (.00)	±.018
THREE PLACE (.000)	±.008
ANGLES	1

WEIGHT

JX-70

M

DRAWING NUMBER

7

2

8

8

8

REVISIONS

A	SR 9963	MBF	27 NOV 61
B	CO18136	MBF	17 JUNE 63
C	CO22579	OMW	1 MAY 67
D	CO22579	MBF	19 APR 68
E	CO79303	DLT	9 MAR 95
F	CO82929	DLT	13 MAY 96

(M) JX-70
 ISSUE 1

REPLACES

RELEASE NO. SR 9963

CHECK

CHECK

CHECK

27 NOV 61

DRAWN

MBF