

Flowmeters & Monitors

Dataflow Compact – Inline Flow Transmitter



- Pulse output signal for flows up to 25 l/min.
- Lightweight and robust.
- Operates in any plane. Simple to install.
- Low cost flow measurement.
- Negligible pressure drop.
- Accepts reverse flow.
- $\frac{3}{8}$ BSP connection.

SPECIFICATION

Construction:

Body Grilamid – TR55.
Rotor 18% PTFE Filled Nylon.
Shaft Stainless Steel.
Shaft Retainers Grilamid TR55.

Operation:

Infra-red.

Maximum Working Pressure:

20 Bar.

Pressure Drop:

Max 0.1 Bar at 15 l/min.

Maximum Flow Range:

1 to 25 l/min.
(Accepts Reverse Flow).

Calibration:

'K' Factor 752 Pulses per Litre, typical.
Subject to application.

Accuracy:

±2% typical.



Repeatability:

±1%.

Temperature Range:

+5°C to +70°C.

Overall Dimensions:

52mm x 29mm x 27mm.

Weight:

16 grams.

Connections:

$\frac{3}{8}$ BSP

Cable Length:

300mm.

Power Supply:

5 VDC.

Dataflow Compact – The Low Cost Transmitter

The Dataflow Compact Transmitter was designed to offer OEM's and end users alike a means of monitoring low flows on liquids* with an electronic output signal – but at LOW COST. Fluid passes through the one piece sensor body impacting on the twin vaned turbine rotor, causing it to rotate at a speed proportional to the flow rate. Two opposing photo-transistors are mounted either side of the rotor and externally of the clear sensor body, these generate a continuous signal.

As the rotor spins each blade obscures the infra red signal. This is then converted into an industry standard pulse output signal – compatible with inexpensive display units for flow rate, totalising, batch control etc and large, central control systems. The lightweight Grilamid body with its virtually unrestricted flow path, offers negligible pressure drop for flows up to 25 l/min and withstanding pressures up to 20 bar.

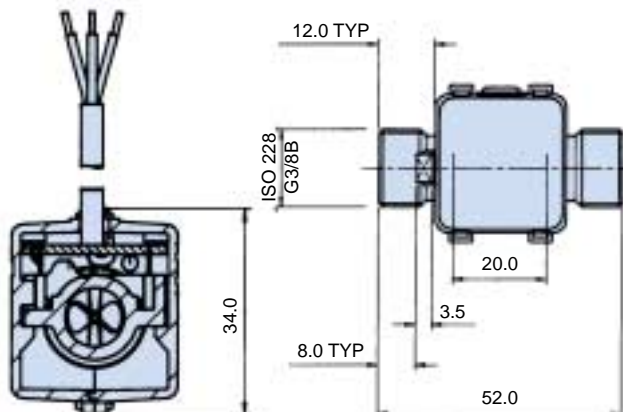
*Note: Consult Parker Filtration on liquid suitability.

Flow Rate • Totalising • Batch Control and applications in many industries

Dataflow Compact Transmitters are small and very robust having been developed and tested extensively in industry applications where space is the restriction, Dataflow Compact with its Grilamid body and BSP connections can be installed almost anywhere and once installed will give accurate and reliable output signalling.

INSTALLATION DETAILS

Red Wire +5V supply
Green Wire Output signal
Blue Wire 0V supply



ORDERING INFORMATION

Part Number	Description
DFC.9000.100	Dataflow Compact Transmitter

RS Stock No. 185-9982