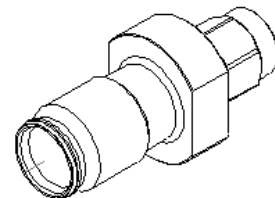
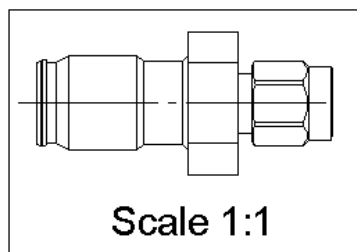
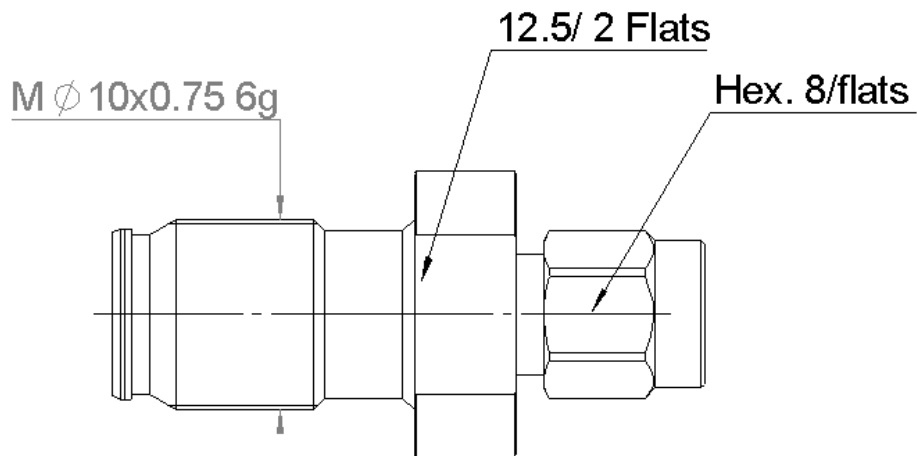


PAGE 1/2	ISSUE 26-05-17A	SERIES ADAPTER	PART NUMBER R191.621.017
----------	-----------------	----------------	--------------------------



All dimensions are in mm.



COMPONENTS	MATERIALS	PLATING (μm)
Body	BRASS	BBR
Center contact	BERYLLIUM COPPER	GOLD OVER NICKLE
Outer contact	-	-
Insulator	PTFE	
Gasket	SILICONE RUBBER	
Others parts	BRASS	BBR/PASSIVE
-	-	-
-	-	-

PAGE 2/2	ISSUE 26-05-17A	SERIES ADAPTER	PART NUMBER R191.621.017
-----------------	------------------------	--------------------------	---------------------------------

PACKAGING

Standard	Unit	Other
1	Contact us	Contact us

ELECTRICAL CHARACTERISTICS

Impedance		50	Ω	
Frequency		0-20	GHz	
VSWR	* +	0.0000	x F(GHz) Maxi	
Insertion loss		**	√F(GHz) dB Maxi	
RF leakage	- (NA	- F(GHz)) dB Maxi	
Voltage rating		335	Veff Maxi	
Dielectric withstanding voltage		750	Veff mini	
Insulation resistance		5000	MΩ mini	

MECHANICAL CHARACTERISTICS

Center contact retention				
Axial force – Mating End		NA	N mini	
Axial force – Opposite end		NA	N mini	
Torque		NA	N.cm mini	
Recommended torque				
Mating	NEX10 SMA 3.5		NA	N.cm
			NA	N.cm
			NA	N.cm
			NA	N.cm
Mating life		100	Cycles mini	
Weight		15.40	g	

ENVIRONMENTAL

Operating	-55~+125	°C
Hermetic seal	NA	Atm.cm3/s
Panel leakage	NA	

SPECIFICATION

OTHER CHARACTERISTICS

*..0~3GHz VSWR≤1.05, 3~6GHz VSWR≤1.12
6-20GHz VSWR≤1.17

**..0~6GHz IL≤0.12dB, 6-10GHz IL≤0.15dB ,
10-20GHz IL≤0.2dB