

DETAILS

Product Number	FCP13895_SEANNA-A
Family	Seanna
Type	Assembly
Color	black
Diameter	152,6 mm
Height	79 mm
Style	round
Optic Material	PMMA,PMMA
Holder Material	
Fastening	pin, screw
Status	production ready
ROHS Compliant	Yes
Date Updated	16/03/2017



OPTICAL PROPERTIES

LED	Viewing Angle	Light Beam	Efficiency	cd/lm	Connector
MK-R	sim: 4	Real spot	-	sim: 82.000-	
XB-D	sim: 1,3	Real spot	-	sim: 698.000	
XM-L	sim: 2,4	Real spot	-	sim: 272.000	
XM-L2	sim: 2	Real spot	-	sim: 275.000	
XP-E	sim: 1,2	Real spot	-	sim: 955.000	
XP-E2	1 deg	Real spot	-	750.000	-
XP-G	sim: 1,4	Real spot	-	sim: 578.000	
XP-G2	sim: 1,4	Real spot	-	sim: 628.000	
XT-E	sim: 1,4	Real spot	-	sim: 519.000	
XQ-E	sim: 1,1	Real spot	-	sim: 1460.000	
XHP50	sim: 3,3	Real spot	sim: 87 %	sim: 122.000	
XHP70	sim: 4,3	Real spot	sim: 81 %	sim: 69.900-	
XHP35 HD	sim: 2,4	Real spot	sim: 89 %	sim: 257.000	
XQ-E HI	sim: 1,2	Real spot	sim: 90 %	sim: 1300.000	
XHP35 HI	sim: 1,6	Real spot	sim: 83 %	sim: 496.000	
XP-L HI	1,6 deg	Real spot	94 %	492.000	-
LZ4 (00xW00)	sim: 3,3	Real spot	-	sim: 136.000	
LUXEON Rebel	sim: 1,3	Real spot	-	sim: 704.000	
LUXEON Rebel ES	sim: 1,6	Real spot	-	sim: 530.000	
LUXEON M/MX	sim: 3,6	Real spot	-	sim: 99.000-	
LUXEON S1000	sim: 3,8	Real spot	-	sim: 100.000	
SBT-90	sim: 2,3	Real spot	-	sim: 253.000	
NVSW3x9A	1,9 deg	Real spot	92 %	310.000	-
Oslon Square PC	sim: 1,5	Real spot	-	sim: 550.000	
Oslon Black Flat	1,2 deg	Real spot	94 %	1196.000	-



PRODUCT DATASHEET

Seanna series

last update 16/3/2017

OPTICAL PROPERTIES

LED	Viewing Angle	Light Beam	Effi- ciency	cd/lm	Connector
Oslon Square Gen3	1,5 deg	Real spot	94 %	587.000	-

H

G

L

E

4

3

2

1

C14348 SEANNA-HLD-B

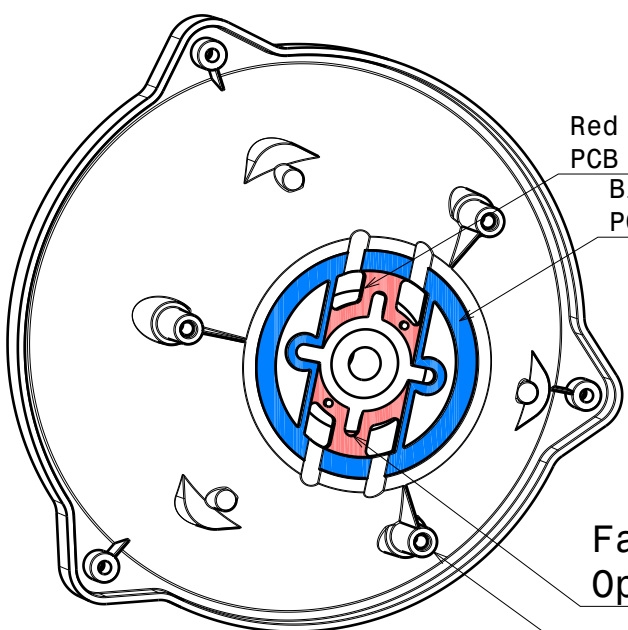
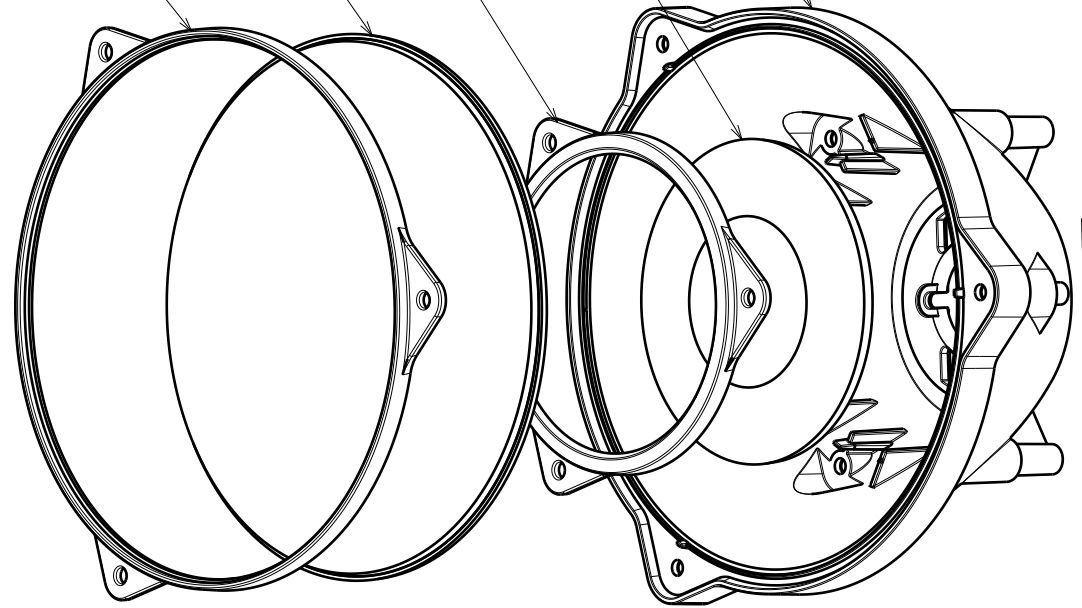
F13496 SEANNA-A

C14350 SEANNA-HLD-B-BOTTOMRING

F13893 SEANNA-FRES

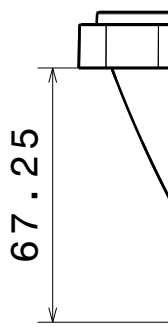
C14349 SEANNA-HLD-B-TOPRING

Option 2: PCB LUMINUS
Option 1: PCB XM



Red surface:
PCB XM installation plane
Blue surface:
PCB LUMINUS installation plane

Fastening:
Option 3 - Bottom section
Fastening:
Option 1&2 - Screw tower

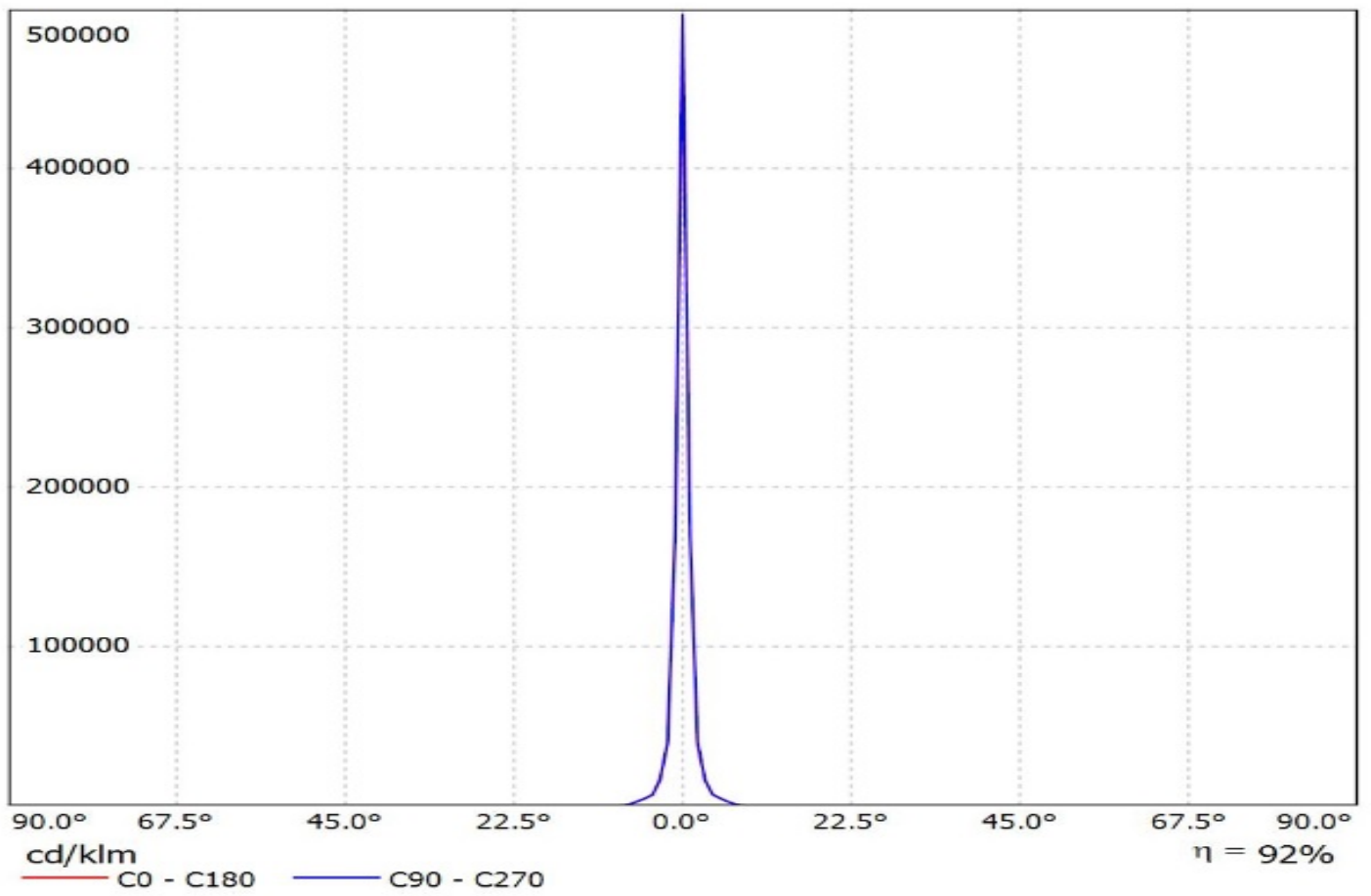


Fastening:
Option 1 - Fastening from top side through screw towers
Option 2 - Fastening from bottom side through heatsink and pcb to screw towers
Option 3 - Fastening from top side using bottom section screw holes

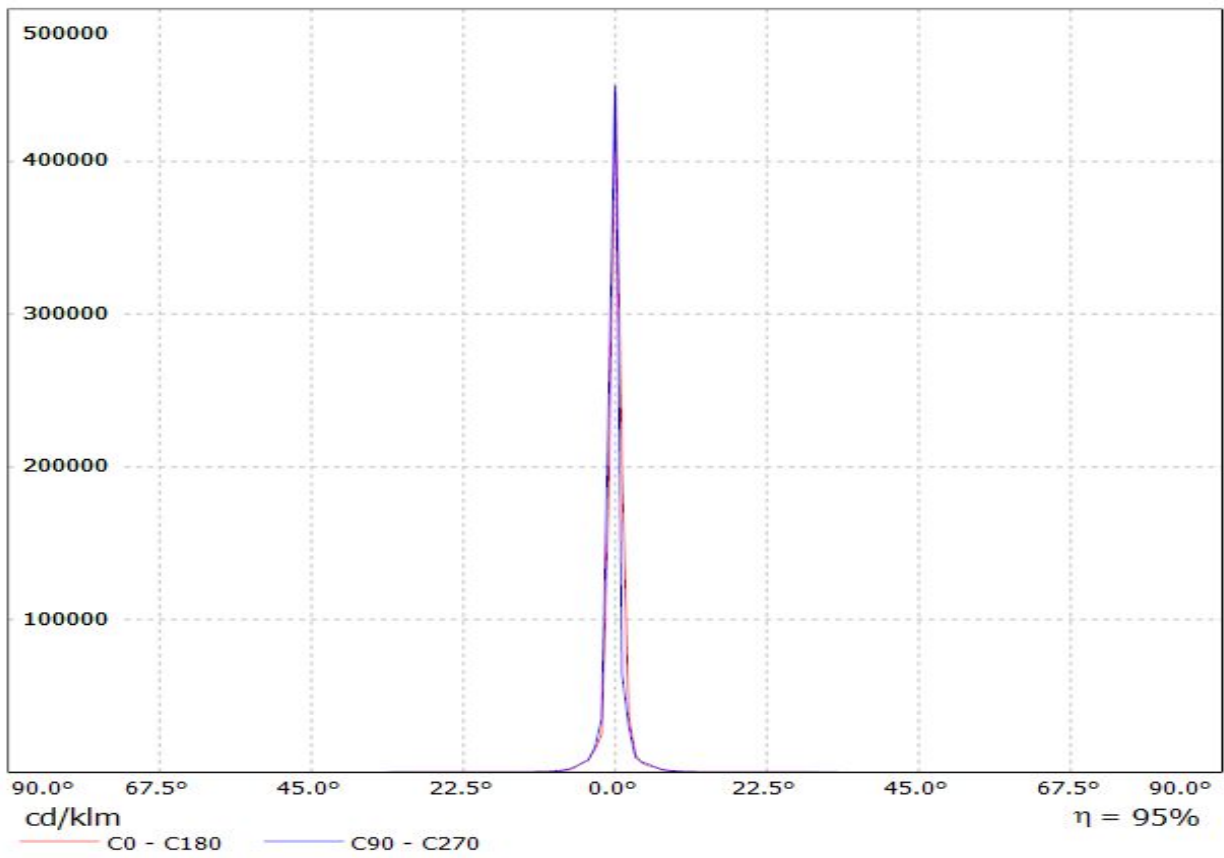
H

G

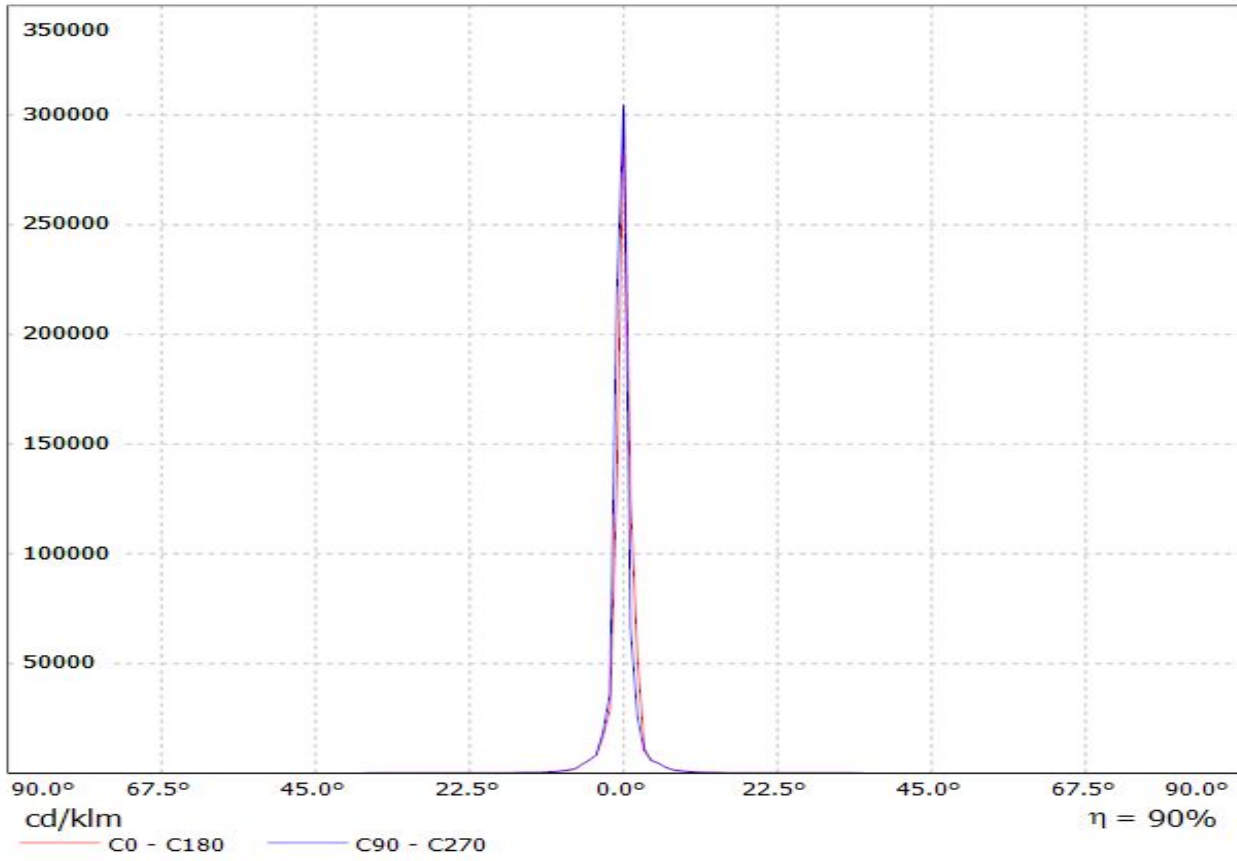
Luminaire: Ledil Oy FCP13895_SEANNA-A_(XHP35_HI)_SIMULATED
Lamps: 1 x Cree XHP35 HI



Luminaire: LEDiL Oy FCP13895_SEANNA-A_(XP-L_HI)
Lamps: 1 x Cree_XP-L_HI_(XPLAWT-H-IA0-V20-0B-0001)_110.74lm@250mA_P=0.71309W_I=0.25A

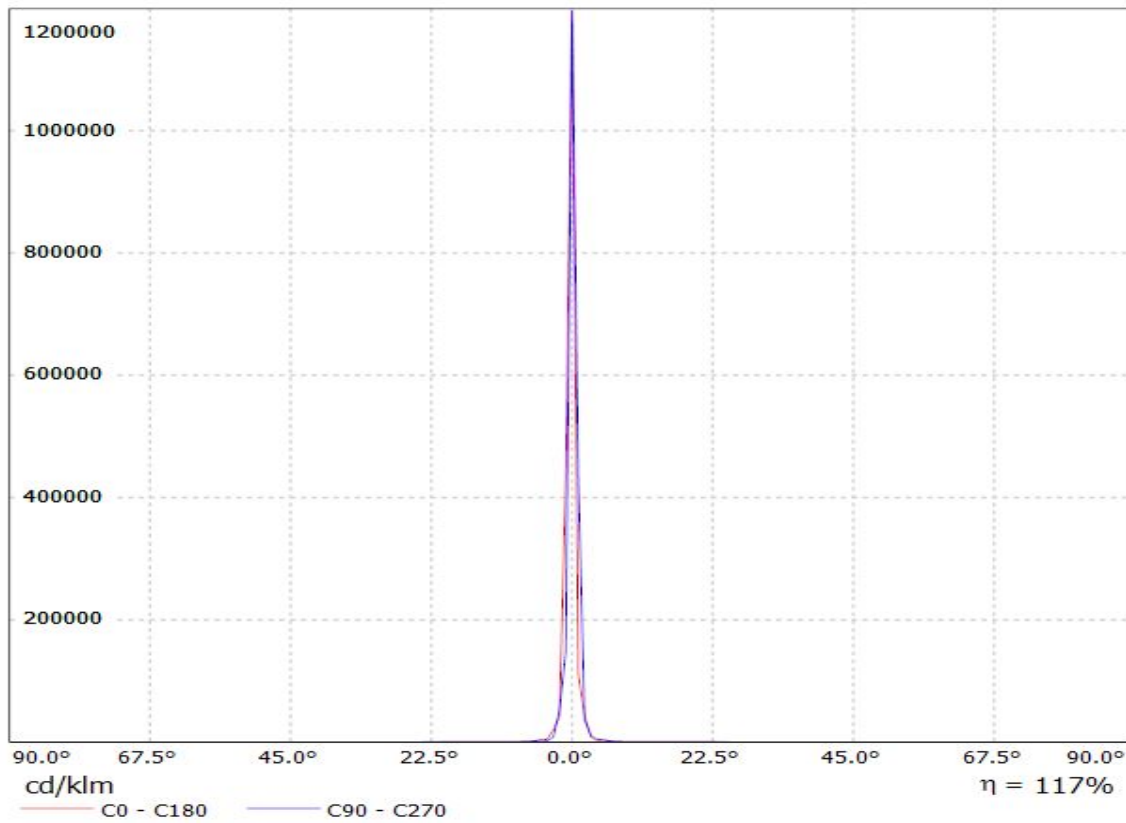


Luminaire: LEDiL Oy FCP13895_SEANNA-A_(NVSW319A)
Lamps: 1 x Nichia_NVSW319A_121.606lm@250mA_P=0.715864W_I=0.25A



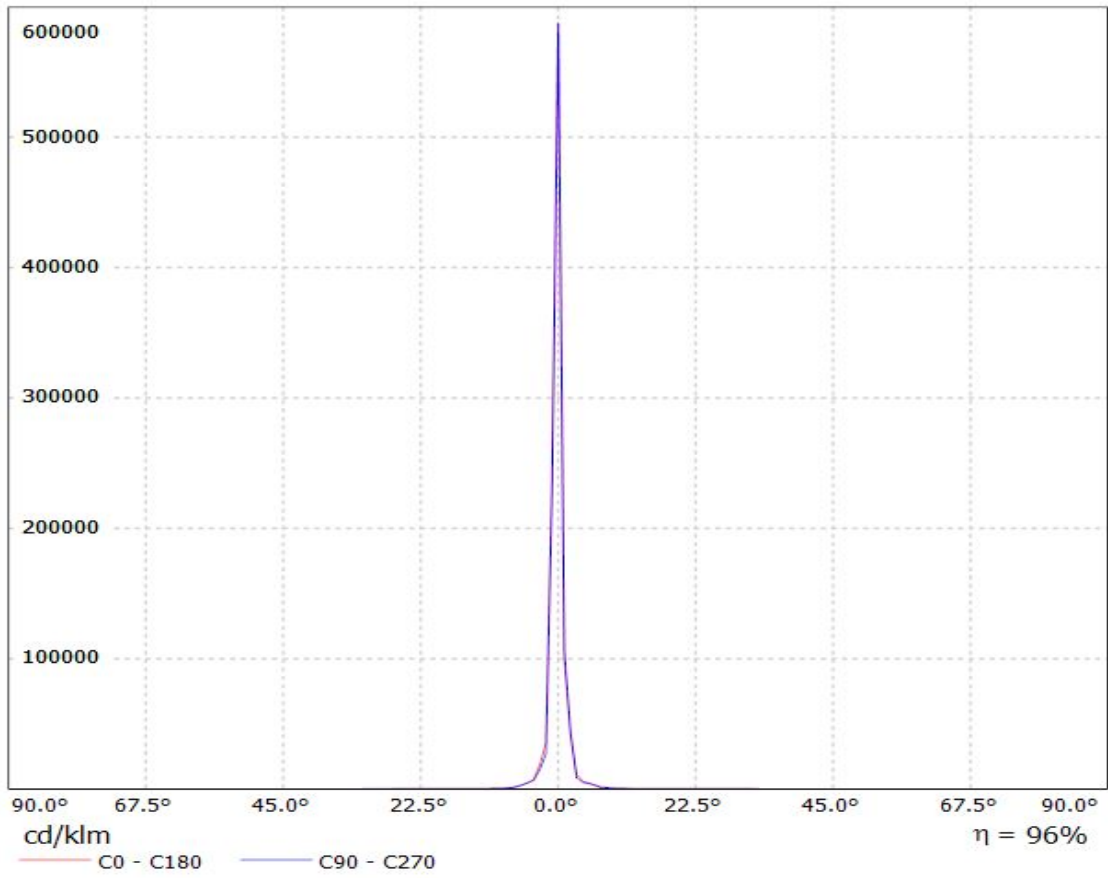
Luminaire: LEDiL Oy FCP13895_SEANNA-A (Oslon_Black_Flat)

Lamps: 1 x Osram_Oslon_Black_Flat_(LUWHWQP-8M7N-EBVF46FCBB46-8)_90.0909lm@250mA_P=0.771216W_I=0.25A

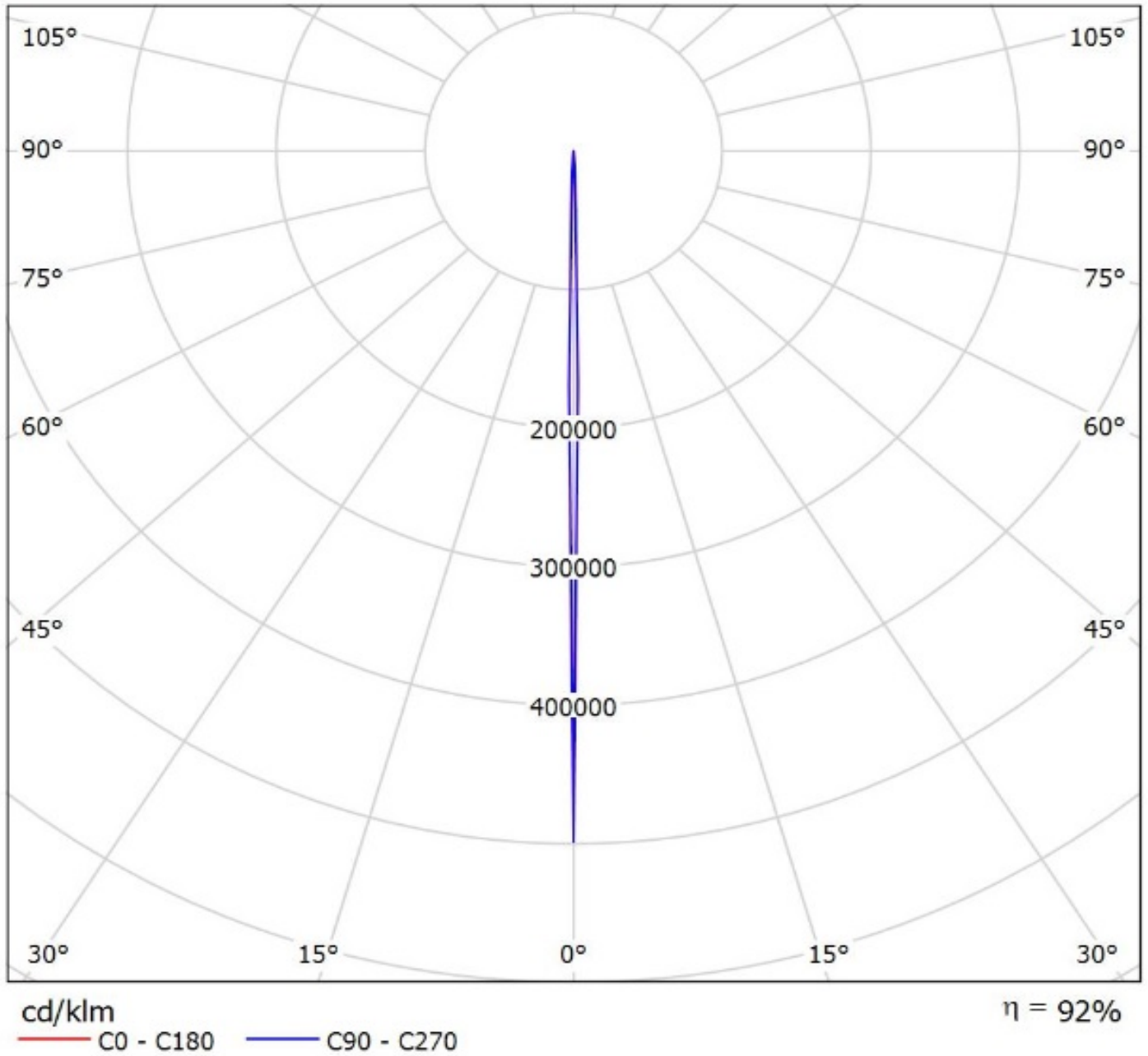


Luminaire: LEDiL Oy FCP13895_SEANNA-A_(Square_Gen3)

Lamps: 1 x Osram_Oslon_Square_Gen3_(GWCSSRM2.PM-MUNQ-A737-1)_109.428lm@250mA_P=0.704143W_η=0.25A

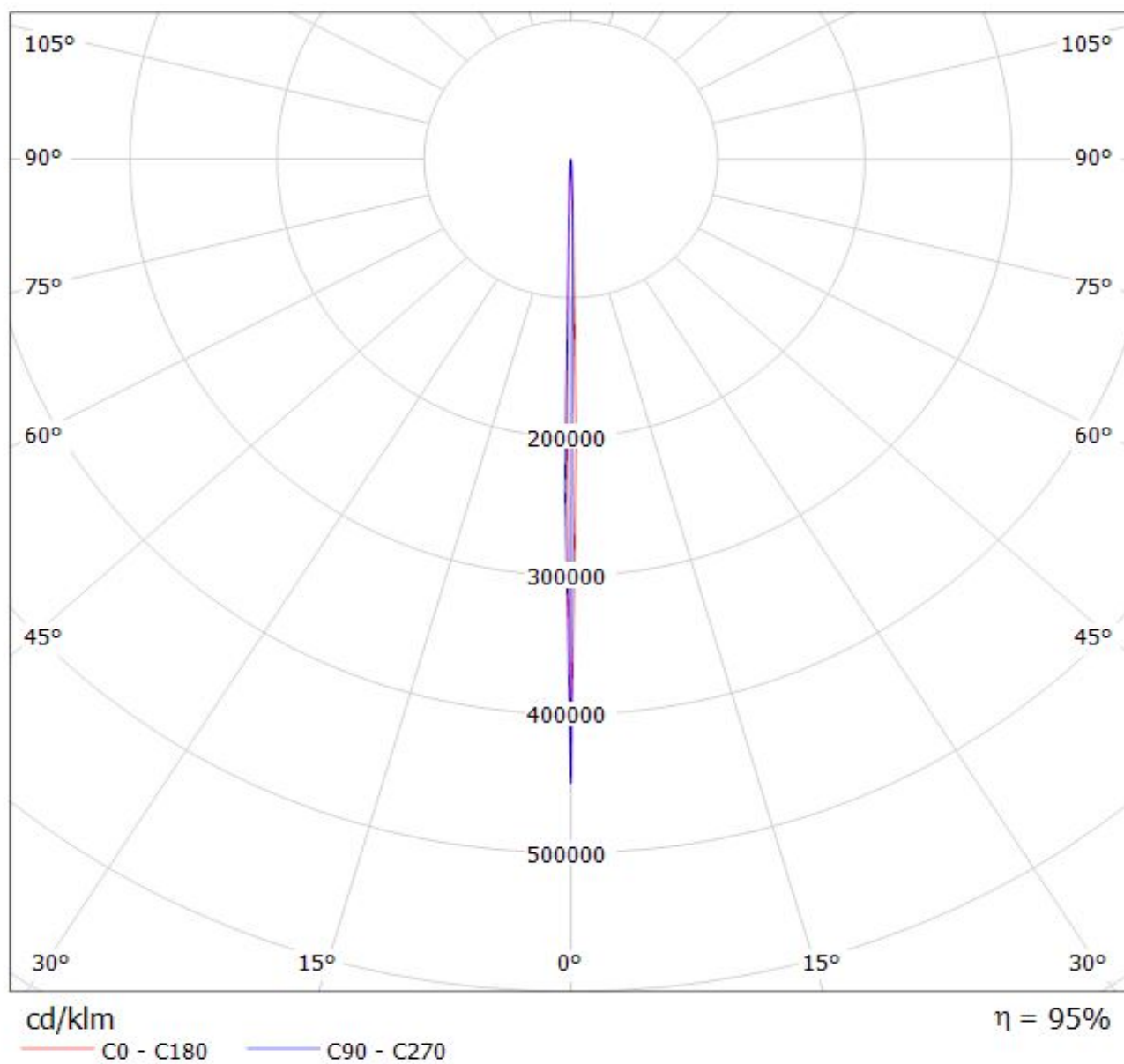


Luminaire: Ledil Oy FCP13895_SEANNA-A_(XHP35_HI)_SIMULATED
Lamps: 1 x Cree XHP35 HI



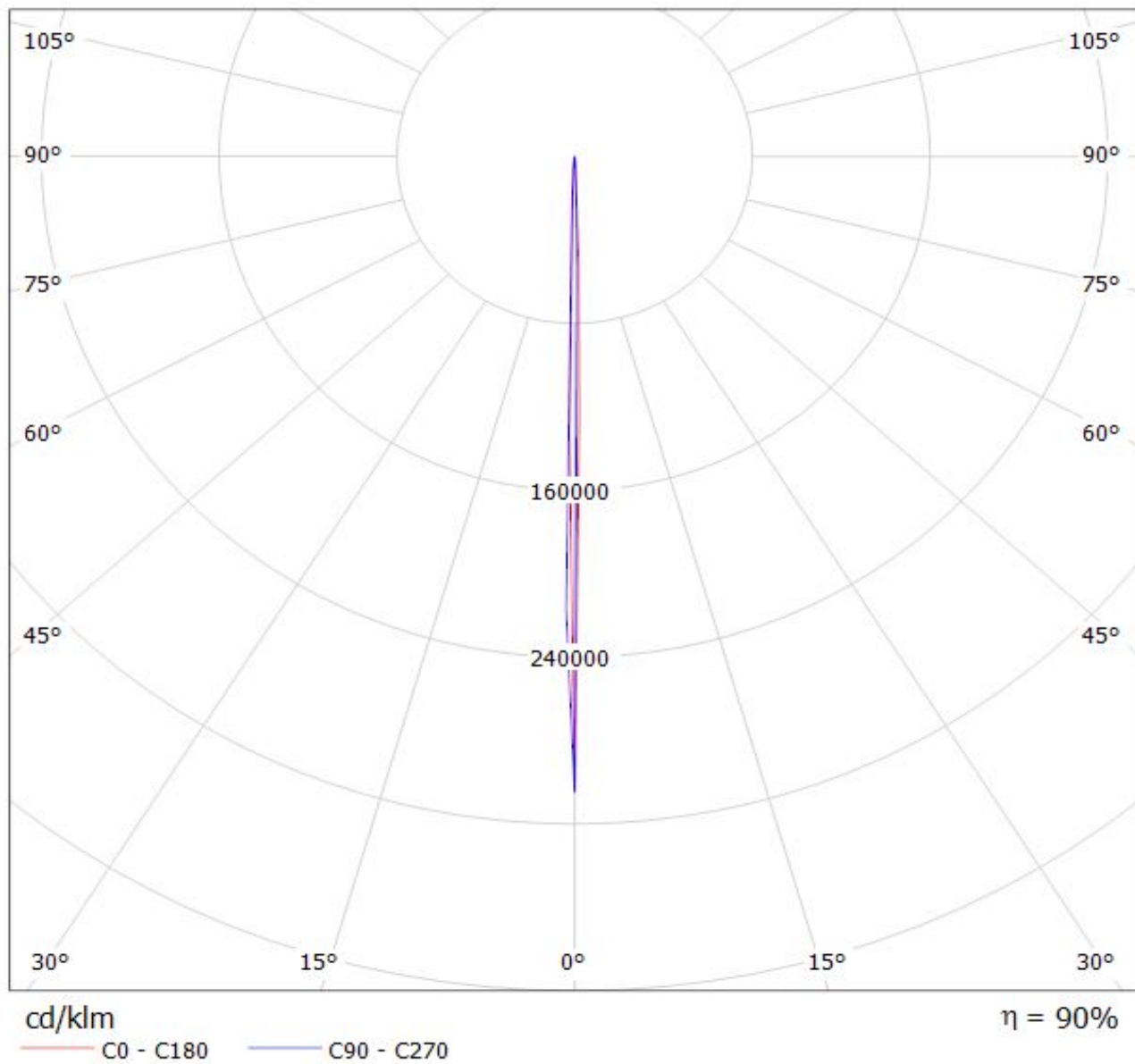
Luminaire: LEDiL Oy FCP13895_SEANNA-A (XP-L HI)

Lamps: 1 x Cree_XP-L_HI (XPLAWT-H-IA0-V20-0B-0001)_110.74lm@250mA_P=0.71309W_I=0.25A



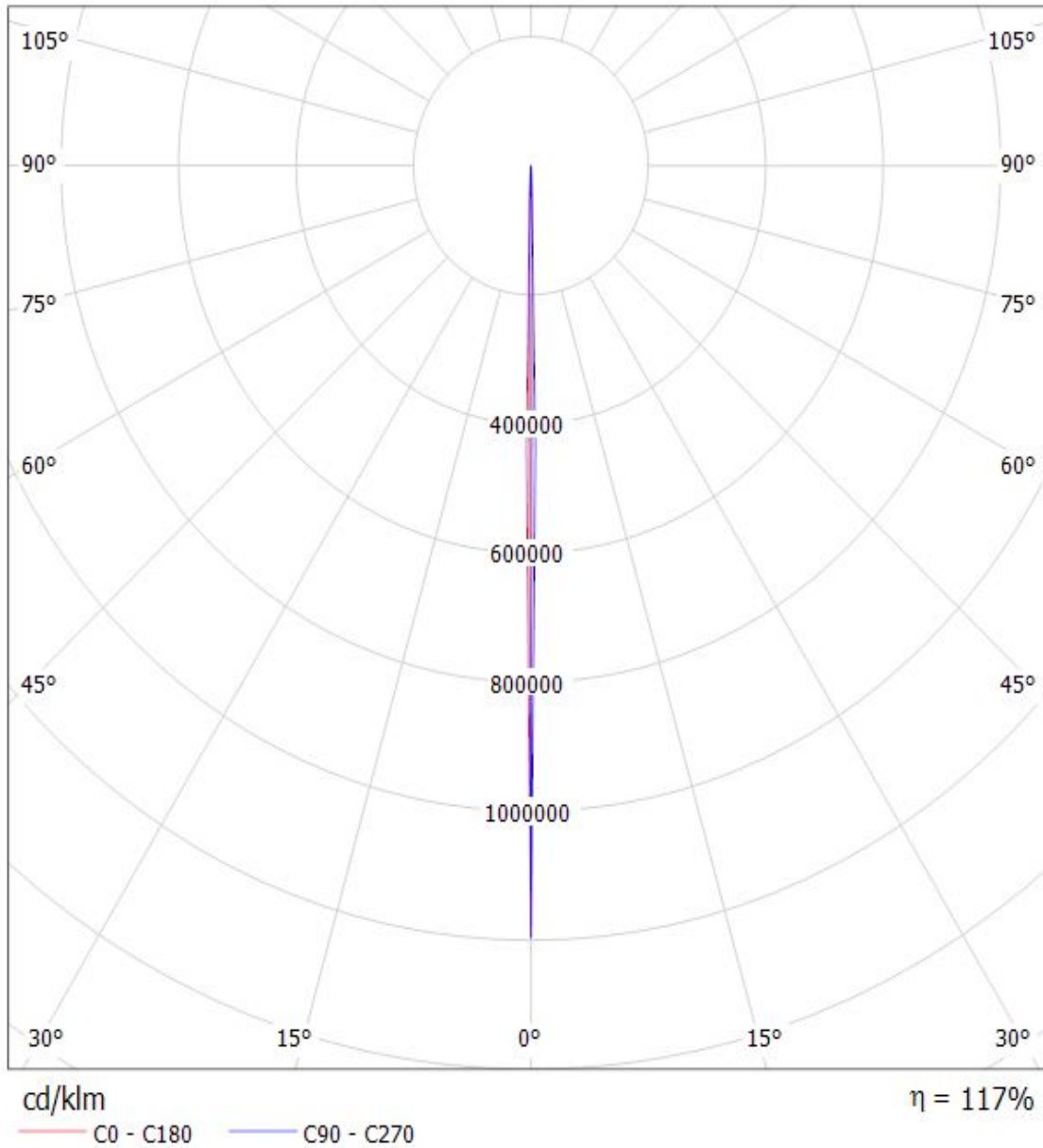
Luminaire: LEDiL Oy FCP13895_SEANNA-A_(NVSW319A)

Lamps: 1 x Nichia_NVSW319A_121.606lm@250mA_P=0.715864W_I=0.25A



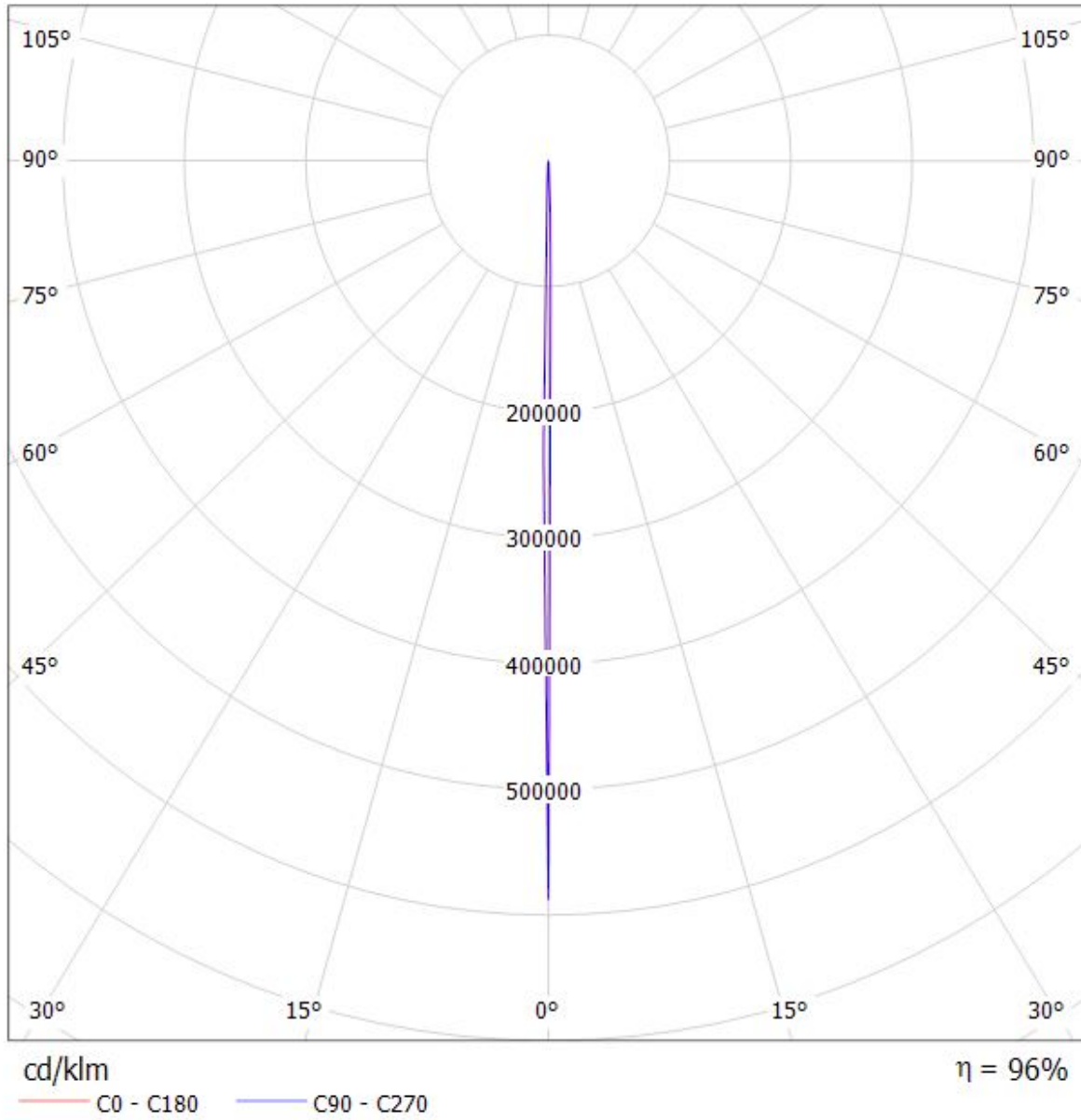
Luminaire: LEDiL Oy FCP13895_SEANNA-A_(Oslon_Black_Flat)

Lamps: 1 x Osram_Oslon_Black_Flat_(LUWHWQP-8M7N-EBVF46FCBB46-8)_90.0909lm@250mA_P=0.771216W_I=0.25A



Luminaire: LEDiL Oy FCP13895_SEANNA-A_(Square_Gen3)

Lamps: 1 x Osram_Oslon_Square_Gen3_(GWCSSRM2.PM-MUNQ-A737-1)_109.428lm@250mA_P=0.704143W_I=0.25A



NOTE: The typical divergence will be changed by different color, chip size and chip position tolerance. The typical total divergence is the full angle measured where the luminous intensity is half of the peak value.