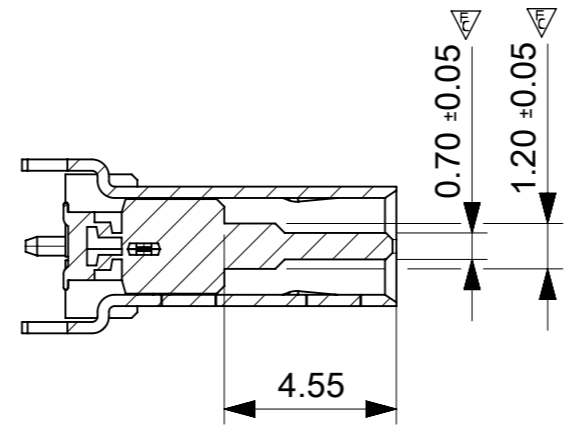
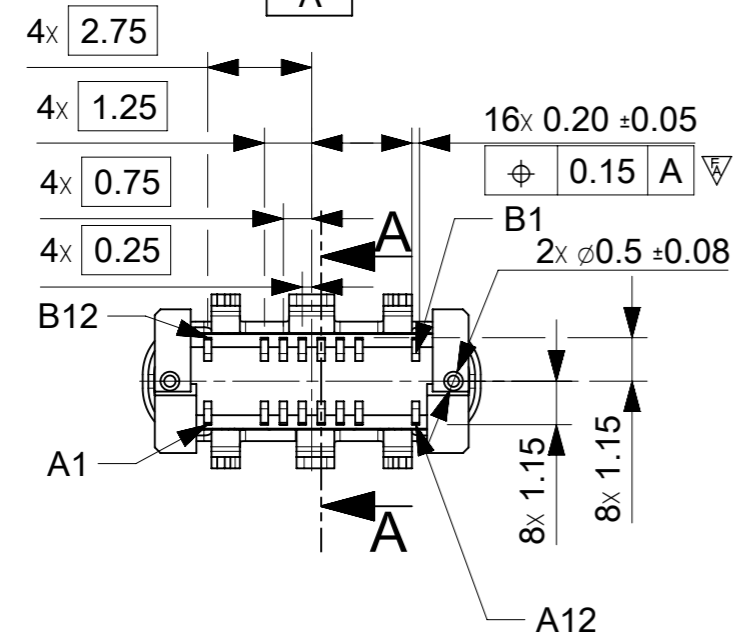
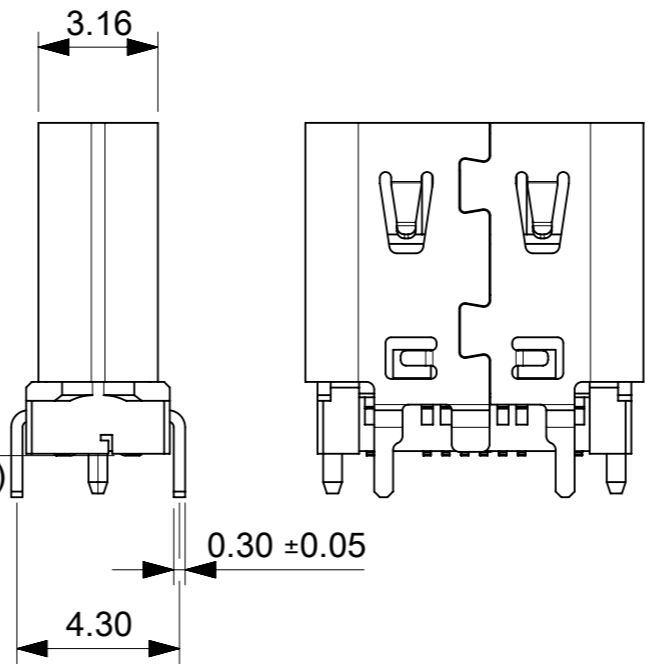
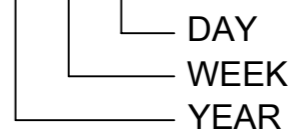


0.10
(ALL CONTACTS)



SECTION A-A

- NOTES:
- MATERIAL SPECIFICATION:
 - HOUSING: HIGH TEMPERATURE RESISTANT PLASTIC, UL94 V-0.
 - CAP: HIGH TEMPERATURE RESISTANT PLASTIC, UL94 V-0.
 - CONTACTS: COPPER ALLOY
 - MIDDLE CLIP: STAINLESS STEEL
 - SHELL: STAINLESS STEEL
 - PLATING:
 - TERMINAL: PLATING NICKEL 50u"~150u" OVER ALL. Au PLATING 1u" ON CONTACT AREA AND SOLDERING AREA OVER NICKEL.
 - SHELL: PLATING NICKEL 50u"~200u" ON SOLDERING AREA.
 - MIDDLE CLIP : CLEANING
 - PRODUCT SPEC: PS-216990-001
 - PACKAGE SPEC: PDD_2193200001PK
 - PRODUCT COMPLIANCE TO ROHS DIRECTIVE 2011/65/EU
 - PLEASE CONTACT YOUR SALES REPRESENTATIVE IF INTENDED FOR AUTOMOTIVE
 - DATE CODE: Y W W D

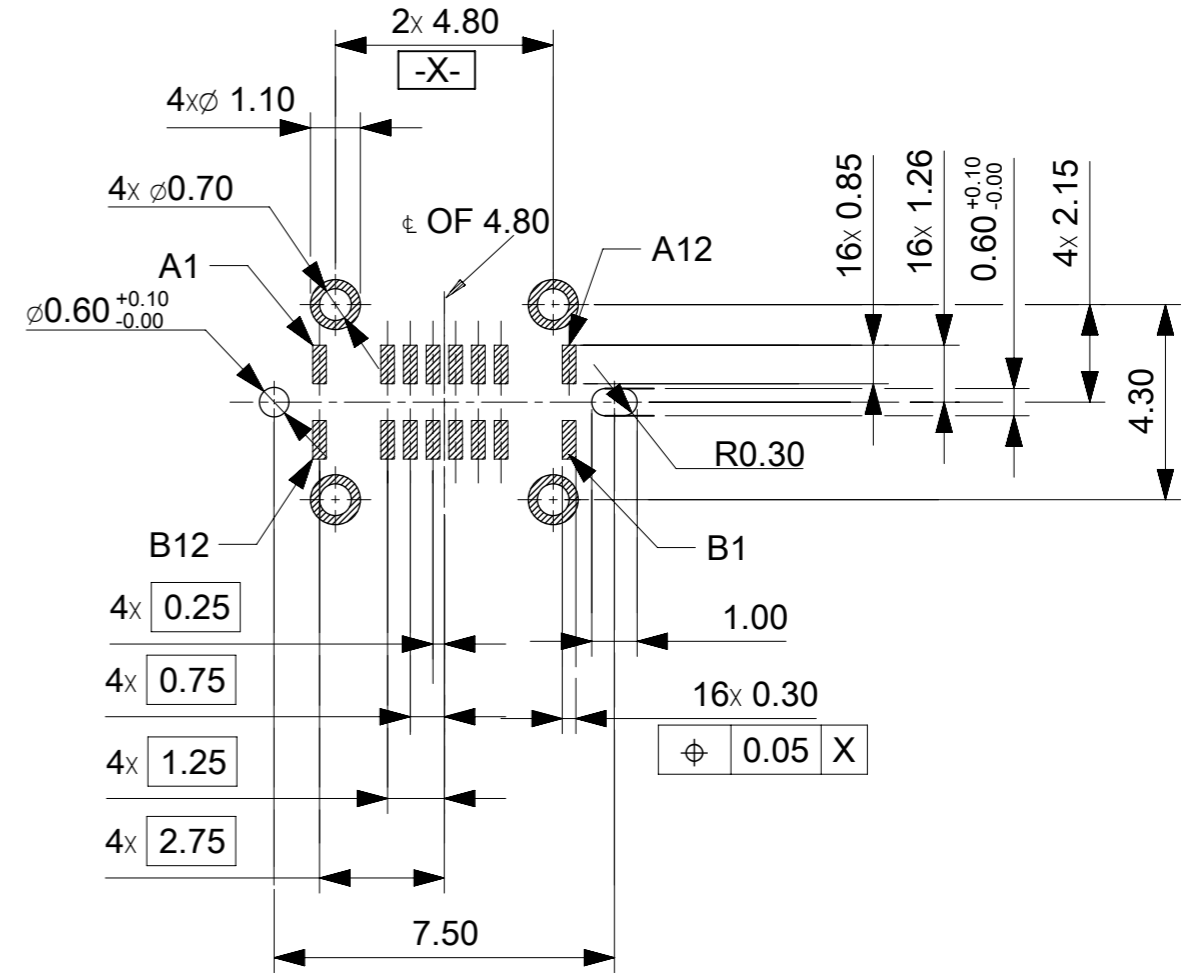


FUNCTIONAL SYMBOLS	THIS DRAWING CONTAINS INFORMATION THAT IS PROPRIETARY TO MOLEX ELECTRONIC TECHNOLOGIES, LLC AND SHOULD NOT BE USED WITHOUT WRITTEN PERMISSION		CURRENT REV DESC: FIRST RELEASED		molex
	THIS DRAWING CONTAINS INFORMATION THAT IS PROPRIETARY TO MOLEX ELECTRONIC TECHNOLOGIES, LLC AND SHOULD NOT BE USED WITHOUT WRITTEN PERMISSION	SCALE	CURRENT REV DESC: FIRST RELEASED		
▽A = 2	mm	5:1	EC NO: 733316		PRODUCT CUSTOMER DRAWING
▽E = 6	GENERAL TOLERANCES (UNLESS SPECIFIED)		DRWN: DARIEY	2022/12/19	
▽V = 1	ANGULAR TOL ± 3.0°		CHK'D: RL109	2023/01/30	DOCUMENT NUMBER
DIVISIONAL SYMBOLS	4 PLACES ±		APPR: RL109	2023/01/30	
	3 PLACES ±		INITIAL REVISION:		DOC TYPE
	2 PLACES ± 0.25		DRWN: DARIEY	2022/12/19	PSD
	1 PLACE ±		APPR: RL109	2023/01/30	000
	0 PLACES ±				A
DRAFT WHERE APPLICABLE MUST REMAIN WITHIN DIMENSIONS		THIRD ANGLE PROJECTION	DRAWING	SERIES	MATERIAL NUMBER
			A3-SIZE	219320	2193200001
					CUSTOMER
					GENERAL MARKET
					SHEET NUMBER
					1 OF 2

USB TYPE-C PIN ASSIGNMENTS

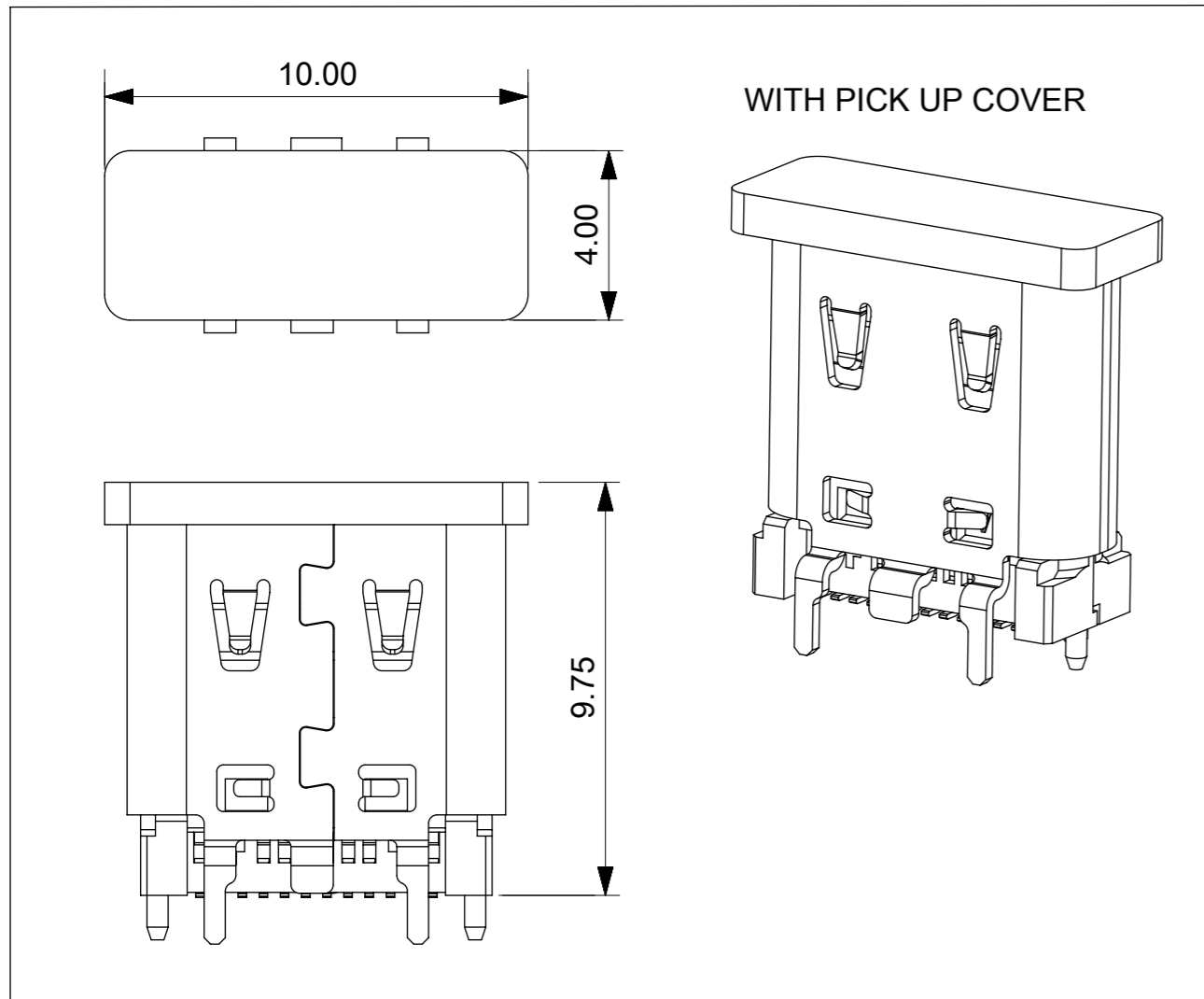
PIN NUMBER	SIGNAL NAME
A1	GND
A2	
A3	
A4	V _{BUS}
A5	CC1
A6	[Dp1
A7	Dn1
A8	SBU1
A9	V _{BUS}
A10	
A11	
A12	GND

PIN NUMBER	SIGNAL NAME
B12	GND
B11	
B10	
B09	V _{BUS}
B08	SBU2
B07	Dn2
B06	Dp2
B05	CC2
B04	V _{BUS}
B03	
B02	
B01	GND



RECOMMENDED PCB LAYOUT(TOP VIEW)

THICKNESS 1.0±0.10MM;DEFAULT TOLERANCE:±0.05



WITH PICK UP COVER

FUNCTIONAL SYMBOLS	THIS DRAWING CONTAINS INFORMATION THAT IS PROPRIETARY TO MOLEX ELECTRONIC TECHNOLOGIES, LLC AND SHOULD NOT BE USED WITHOUT WRITTEN PERMISSION		CURRENT REV DESC: FIRST RELEASED			molex		
	FUNCTIONAL SYMBOLS	THIS DRAWING CONTAINS INFORMATION THAT IS PROPRIETARY TO MOLEX ELECTRONIC TECHNOLOGIES, LLC AND SHOULD NOT BE USED WITHOUT WRITTEN PERMISSION						
FUNCTIONAL SYMBOLS	DIMENSION UNITS	SCALE	EC NO: 733316			USB C TYPE 16PIN VERTICAL L=8.8MM		
FUNCTIONAL SYMBOLS	mm	1:1	DRWN: DARIEY			2022/12/19		
FUNCTIONAL SYMBOLS	GENERAL TOLERANCES (UNLESS SPECIFIED)		CHK'D: RL109			2023/01/30		
FUNCTIONAL SYMBOLS	ANGULAR TOL ± 3.0°		APPR: RL109			2023/01/30		
DIVISIONAL SYMBOLS	4 PLACES	±	INITIAL REVISION:			DOCUMENT NUMBER		
DIVISIONAL SYMBOLS	3 PLACES	±	DRWN: DARIEY			2193200001		
DIVISIONAL SYMBOLS	2 PLACES	± 0.25	APPR: RL109			PSD 000 A		
DIVISIONAL SYMBOLS	1 PLACE	±	2022/12/19			DOC TYPE DOC PART REVISION		
DIVISIONAL SYMBOLS	0 PLACES	±	2023/01/30			2193200001 PSD 000 A		
DIVISIONAL SYMBOLS	DRAFT WHERE APPLICABLE MUST REMAIN WITHIN DIMENSIONS		THIRD ANGLE PROJECTION	DRAWING	SERIES	MATERIAL NUMBER	CUSTOMER	SHEET NUMBER
DIVISIONAL SYMBOLS			THIRD ANGLE PROJECTION	A3-SIZE	219320	2193200001	GENERAL MARKET	2 OF 2