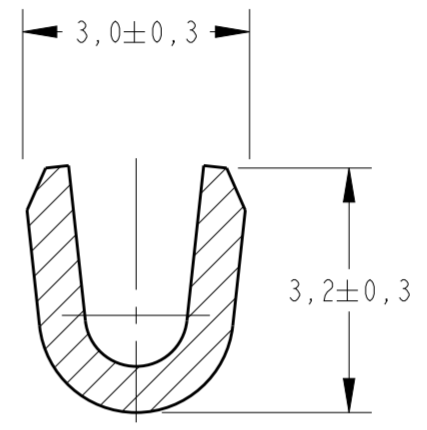
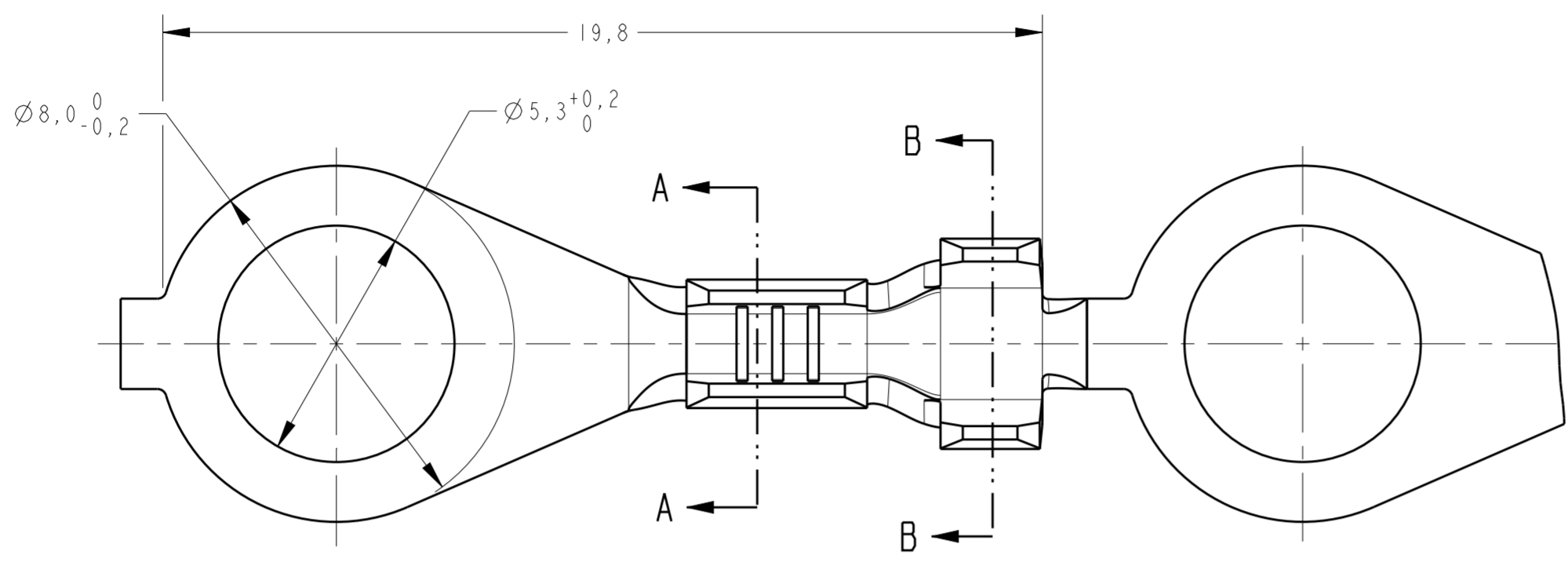


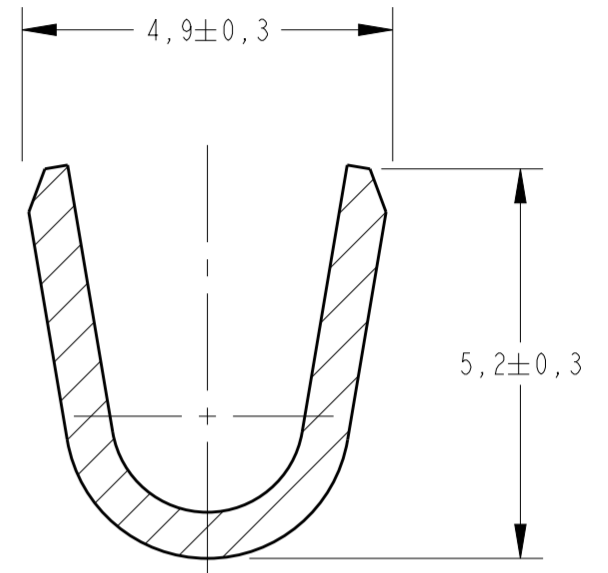
THIS DRAWING IS UNPUBLISHED. RELEASED FOR PUBLICATION 20
 © COPYRIGHT 20 BY - ALL RIGHTS RESERVED.

creo
 Creo Parametric 2.0
**DO NOT REVISE
 EXCEPT BY CAD**

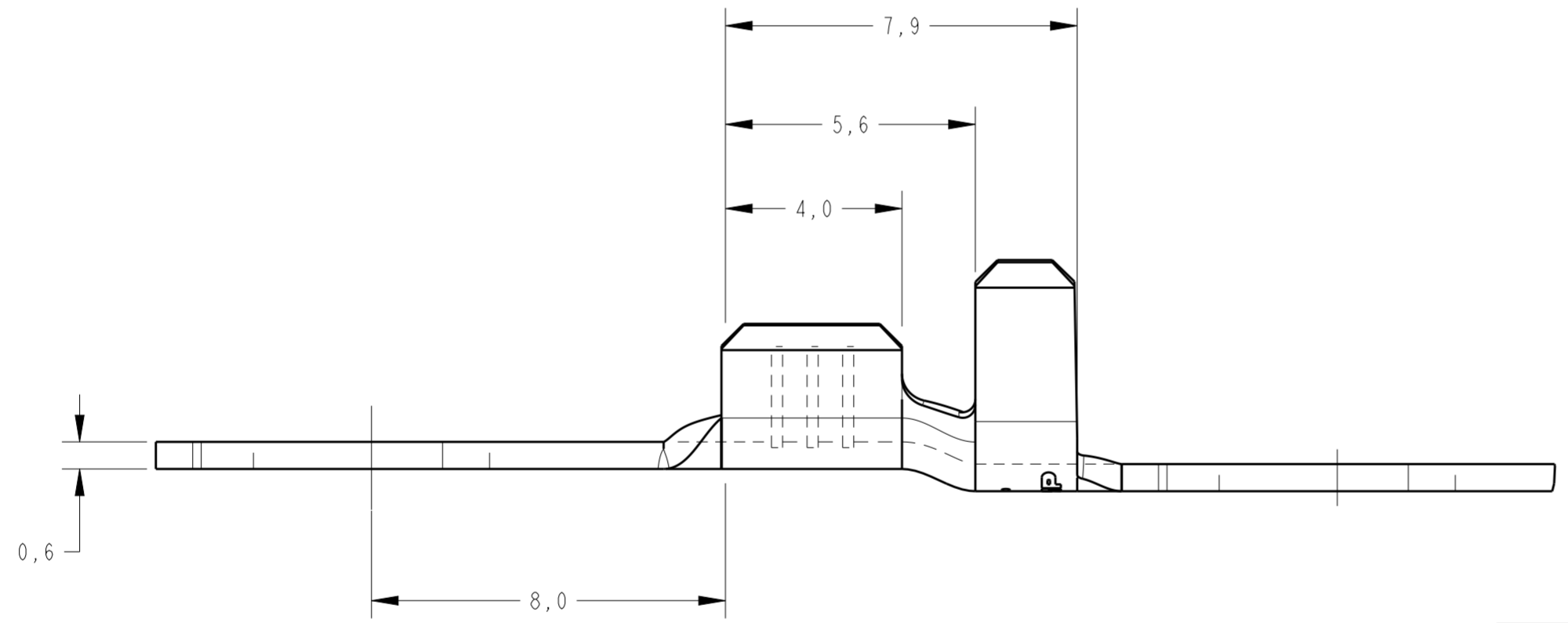
REVISIONS					
P	LTR	DESCRIPTION	DATE	DWN	APVD
A5		REDRAW BY CAD ECO-16-001981	12FEB2016	NCL	DAO



SECTION A-A
 SCALE 10:1

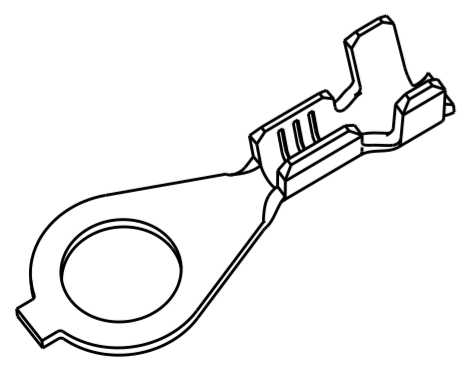


SECTION B-B
 SCALE 10:1



- ① - REBOBINAR INTERCALANDO COM PAPEL
 - REELING WITH PAPER INTERLEAVE
- ② - OBSOLETE PARTS: OBSOLETE CIS STREAMLINIG
 PER D.RENAUD / D.SINISI

②	OBSOLETE	COBRE / COPPER	880629-7	
		ESTANHADO / TIN PLATED	LATÃO / BRASS	880629-6
②	OBSOLETE	ESTANHADO / TIN PLATED	BRONZE FOS. / PHOS. BRONZE	880629-5
		NIQUELADO / NICKEL PLATED	LATÃO / BRASS	880629-4
②	OBSOLETE	—	BRONZE FOS. / PHOS. BRONZE	880629-3
		ESTANHADO / TIN PLATED	LATÃO / BRASS	880629-2
		—	LATÃO / BRASS	880629-1
		FINISH	MATERIAL	PART NUMBER



PERSPECTIVE VIEW
 SCALE 3:1

INS.DIA.RANGE	WIRE RANGE
2,0-3,3mm	0,5-1,0mm ²

THIS DRAWING IS A CONTROLLED DOCUMENT.

DIMENSIONS: mm	TOLERANCES UNLESS OTHERWISE SPECIFIED: 0 PLC ± 1 PLC ±0,4 2 PLC ± 3 PLC ± 4 PLC ± ANGLES ±° FINISH	DWN NCLAPRESA 25MAY2015 CHK FFORTUNATO 25MAY2015 APVD DAO LVEIRA 25MAY2015	TE Connectivity	
MATERIAL SEE TABLE		PRODUCT SPEC -	NAME RING TONGUE	
		APPLICATION SPEC -	SIZE A2	CAGE CODE -
		WEIGHT -	DRAWING NO C-880629	RESTRICTED TO -
		CUSTOMER DRAWING	SCALE 7,5	SHEET 1 OF 1