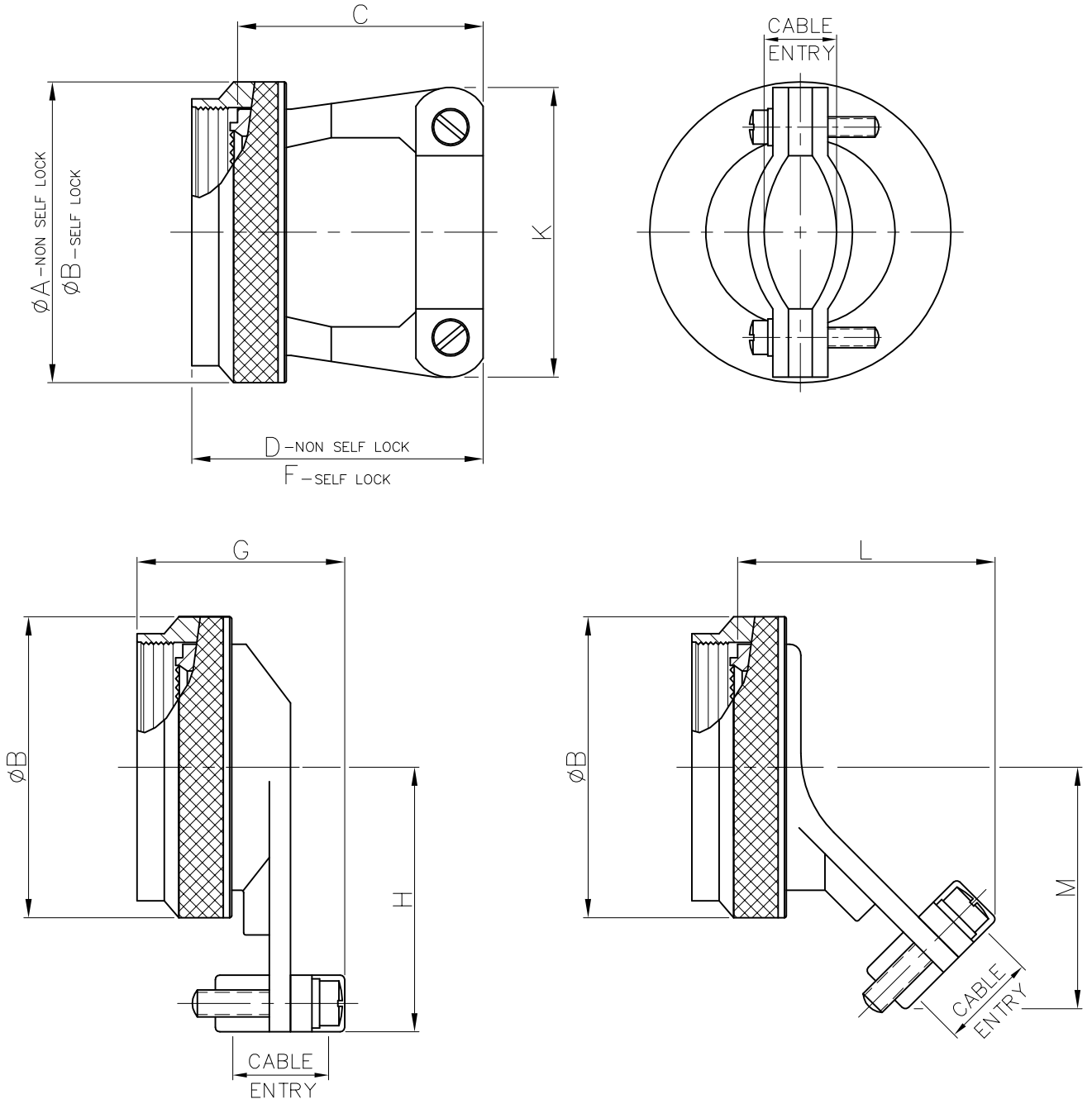


Issue No.	Eng. Ref. No.	REVISIONS	Date	App. By
1	--	ORIGINAL	11/04/06	paramesh
2				

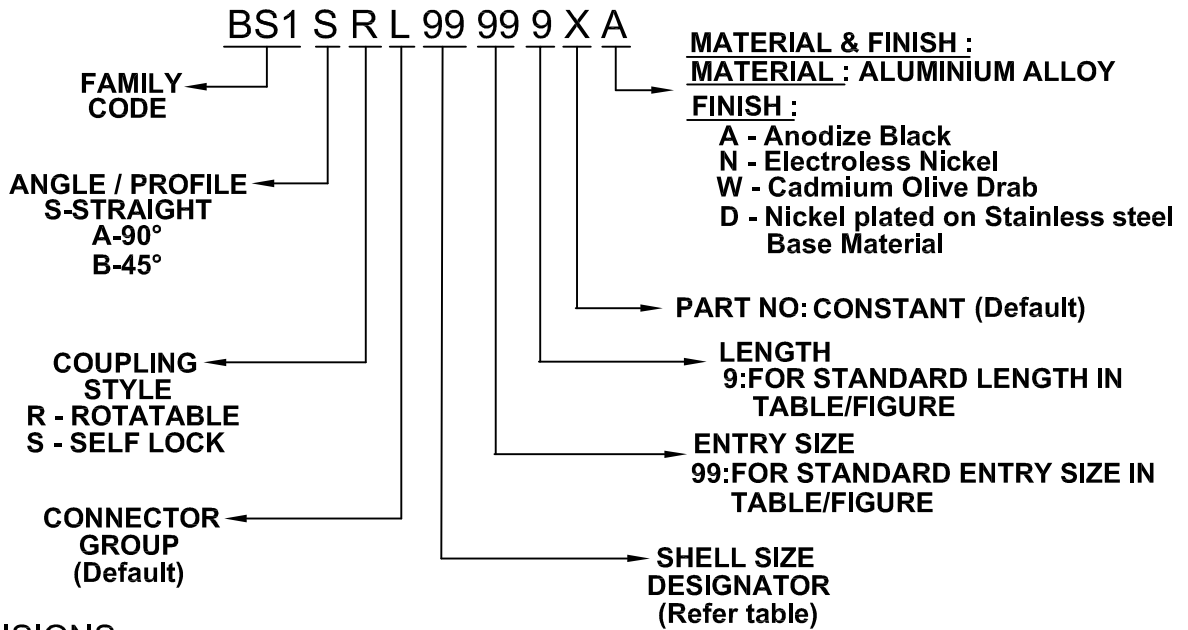
STRAIN RELIEF BACKSHELL :-



Amphenol AIPL			TITLE STRAIN RELIEF BACKSHELL (FOR CONNECTOR MIL-DTL-38999 Se -III & IV)		
			Dwg.No. PSTDBS149		
Name <i>raghav</i>	Date 09/04/06	Dwg. Size A4	Doc. No.: QF-DEV-76 REV. NO. : 02		STANDARD
Drawn by <i>raghav</i>	Date 09/04/06		Sheet 1 OF 3		
Checked by <i>maresh</i>	Date 10/04/06				
App.by <i>paramesh</i>	Date 11/04/06				

Issue No.	Eng. Ref. No.	REVISIONS	Date	App. By
1	--	ORIGINAL	11/04/06	paramesh
2				

PART NUMBERING SYSTEM :-



DIMENSIONS :-

SHELL SIZE DESIGNATOR	CONNECTOR SHELL SIZE	øA MAX.		øB MAX.		C MAX.		D MAX.	
		INCH	MM	INCH	MM	INCH	MM	INCH	MM
08	9/A	0.75	19.05	0.86	21.79	0.91	23.11	1.10	27.94
10	11/B	0.85	21.59	0.98	24.99	0.91	23.11	1.10	27.94
12	13/C	1.00	25.40	1.16	29.39	1.01	25.65	1.20	30.48
14	15/D	1.10	27.94	1.28	32.49	1.06	26.92	1.25	31.75
16	17/E	1.25	31.75	1.41	35.71	1.16	29.46	1.35	34.29
18	19/F	1.40	35.56	1.52	38.51	1.41	35.81	1.60	40.64
20	21/G	1.50	38.10	1.64	41.71	1.51	38.35	1.70	43.18
22	23/H	1.65	41.91	1.77	44.91	1.66	42.16	1.85	46.99
24	25/J	1.75	44.45	1.89	47.98	1.76	44.70	1.95	49.53

Amphenol AIPL			TITLE STRAIN RELIEF BACKSHELL (FOR CONNECTOR MIL-DTL-38999 Se -III & IV)				
			Dwg.No. PSTDBS149			All Dimensions are in MM/INCHES	
			Dwg. Size A4			STANDARD	
Name	Date	Dwg. No.	Doc. No.:	REV. NO. :	Sheet		
Drawn by <i>raghav</i>	09/04/06	PSTDBS149	QF-DEV-76	: 02	2 OF 3		
Checked by <i>mahesh</i>	10/04/06						
App. by <i>paramesh</i>	11/04/06						

Issue No.	Eng. Ref. No.	REVISIONS	Date	App. By
1	--	ORIGINAL	11/04/06	paramesh
2				

DIMENSIONS :-

SHELL SIZE DESIGNATOR	CONNECTOR SHELL SIZE	F MAX.		K MAX.		G MAX.		H MAX.	
		INCH	MM	INCH	MM	INCH	MM	INCH	MM
08	9/A	1.21	30.73	0.85	21.59	1.31	33.27	1.00	25.40
10	11/B	1.21	30.73	0.90	22.86	1.31	33.27	1.10	27.94
12	13/C	1.31	33.27	1.10	27.94	1.51	38.35	1.10	27.94
14	15/D	1.35	34.29	1.15	29.21	1.55	39.37	1.25	31.75
16	17/E	1.45	36.83	1.30	33.02	1.71	43.43	1.30	33.02
18	19/F	1.71	43.43	1.50	38.10	1.81	45.97	1.35	34.29
20	21/G	1.81	45.97	1.60	40.64	1.95	49.53	1.60	40.64
22	23/H	1.95	49.53	1.70	43.18	2.10	53.34	1.75	44.45
24	25/J	2.05	52.07	1.80	45.72	2.21	56.13	1.85	46.99

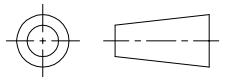
SHELL SIZE DESIGNATOR	CONNECTOR SHELL SIZE	L MAX.		M MAX.		CABLE ENTRY			
						MIN.		MAX.	
		INCH	MM	INCH	MM	INCH	MM	INCH	MM
08	9/A	1.320	33.53	0.77	19.61	0.10	2.49	0.23	5.94
10	11/B	1.364	34.65	0.80	20.40	0.15	3.89	0.23	5.94
12	13/C	1.438	36.53	0.87	22.00	0.19	4.83	0.33	8.33
14	15/D	1.480	37.59	0.93	23.57	0.26	6.60	0.46	11.61
16	17/E	1.586	40.28	0.99	25.17	0.28	7.19	0.61	15.60
18	19/F	1.704	43.28	1.11	28.19	0.33	8.26	0.63	16.10
20	21/G	1.748	44.40	1.17	29.77	0.34	8.71	0.70	17.73
22	23/H	1.792	45.52	1.24	31.37	0.38	9.68	0.82	20.90
24	25/J	1.836	46.63	1.30	32.94	0.42	10.62	0.85	21.67

MATERIAL :-

- ◇ Aluminium alloy as per ASTM B211 / B85
- ◇ Corrosion resistant steel as per AMS-QQ-S-763

NOTE :-

- ◇ For more Cable Entry and length options please refer PSTDBS506.

Amphenol AIPL		TITLE STRAIN RELIEF BACKSHELL (FOR CONNECTOR MIL-DTL-38999 Se -III & IV)			 All Dimensions are in MM/INCHES	
		Dwg. No. PSTDBS149	Dwg. No. PSTDBS149			
Drawn by <i>raghav</i>	Date 09/04/06	A4	Doc. No.: QF-DEV-76 REV. NO. : 02		STANDARD	
Checked by <i>mahesh</i>	Date 10/04/06		Sheet 3 OF 3			
App. by <i>paramesh</i>	Date 11/04/06					