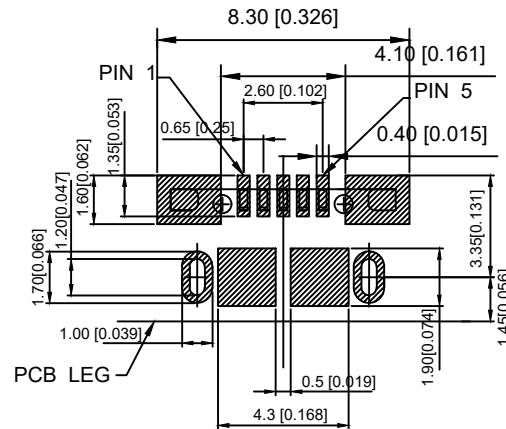
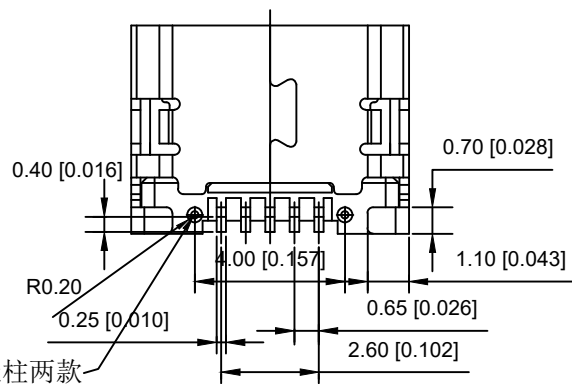
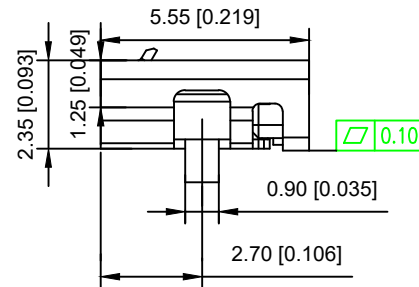
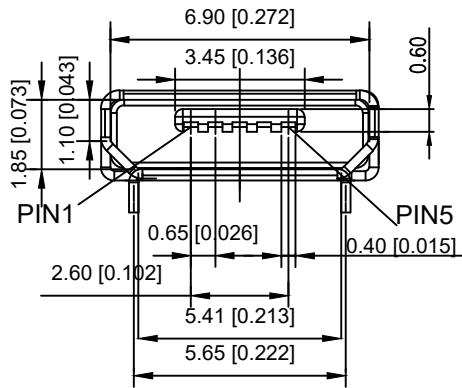


Material
 Housing Material: LCP, UL94V-0, black
 Contact Terminal: Copper Alloy
 Metallic Shell: Sus
 Electrical
 Voltage Rating: 30 V AC
 Current Rating: Signal (Pins 2,3,4): 1.0A, Power (Pins 1,5): 1.8A
 Contact Resistance: 30mΩ Max
 Insulation resistance: 1000MΩ Min
 Dielectric withstanding voltage: 250V AC/Minute
 Mechanical
 Durability: 10,000 cycles
 Mating Force: 35N (3.57Kgf) Max
 Unmating Force: 8N (0.82Kgf) Min.
 OPERATING TEMPERATURE:-20 ~+85



U255-05XX-4BH82-XXS
 1:AU 1U"
 6:AU 30U"
 T:TIN
 N:NICKEL
 1:With 2:Without
 S:Scrolls F:Flat

有柱/无柱两款

RECOMMENDED P.C.B LAYOUT
 TOP VIEW (TOLRANCE:±0.05)

| | | | | | | |
|---|-------------|------|---------|----------|------------------------|------|
| | | | | | ANGLAR | ±5° |
| Δx | | | | | L ≤ 4 | ±0.2 |
| Δx | | | | | 4 < L ≤ 16 | ±0.3 |
| Δx | | | | | 16 < L ≤ 63 | ±0.4 |
| MARK | DESCRIPTION | DATE | REVISED | APPROVED | L > 63 | ±0.5 |
| REVISIONS | | | | | UNSPECIFIED TOLERANCES | |
| www.helloxkb.com www.helloxkb.cn www.xk-dg.cn | | | | | | |



| | | | |
|---------------------------------------|--|-------------|------------------------------------|
| DSND | | SCALE: N/A | MODEL TYPE: MICRO USB |
| DWN | | VIEW: | PART NO.: X-U255-05XX-4BH82-XXS |
| CHKD | | UNIT: mm/in | DWG NO.: |
| APPD | | SIZE: A4 | |
| XKB INDUSTRIAL PRECISION CO., LIMITED | | | WEIGHT |
| | | | SHEET |
| | | | REVISION |
| | | | 1/1 |
| | | | A0 |