

PLEASE CHECK WWW.MOLEX.COM FOR LATEST PART INFORMATION

Part Number: [0740591034](#)
Status: **Active**
Description: VHDM BP 6 ROW SHLD END ASSY 10 COL

Documents:

[Drawing \(PDF\)](#) [RoHS Certificate of Compliance \(PDF\)](#)
[Product Specification PS-74031-999 \(PDF\)](#)

Agency Certification

UL E29179

General

Product Family Backplane Connectors
 Series [74059](#)
 UPC 800753257948

Physical

Flammability 94V-0
 Net Weight 7.934/g

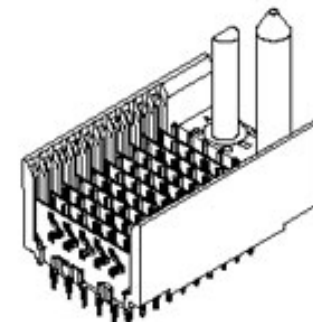
Solder Process Data

Lead-freeProcess Capability N/A

Material Info

Reference - Drawing Numbers

Product Specification PS-74031-999
 Sales Drawing SD-74059-002



Series image - Reference only

EU ELV

Not Relevant

EU RoHS

Compliant

REACH SVHC

Not Contained Per -
 ED/21/2016 (20 June
 2016)

Halogen-Free

Status

Low-Halogen

**Need more information on product
 environmental compliance?**

Email productcompliance@molex.com
 Please visit the [Contact Us](#) section for any
 non-product compliance questions.

China ROHS
 ELV

Green Image
 Not Relevant

Search Parts in this Series

[74059 Series](#)

Application Tooling | [FAQ](#)

*Tooling specifications and manuals are
 found by selecting the products below.
 Crimp Height Specifications are then
 contained in the Application Tooling
 Specification document.*

Global

Description	Product #
6-Row Pin and Shield Repair Tool	0622015800
Insertion Module for Advanced Mate Signal Header, 6- Row by 10-Wide, 20.00mm	0622020203
Insertion Module for Advanced Mate Signal Header, 6-	0622020207

Row by 10-Wide, 20.00mm	
Signal Pin Inserter Repair Tool	<u>0622015700</u>
6-Row Shield Extraction Tool	<u>0622016000</u>
Insertion Module for Advanced Mate Signal Header, 6- Row by 11-Wide, 20.00mm	<u>0622011101</u>

This document was generated on 09/27/2016

PLEASE CHECK WWW.MOLEX.COM FOR LATEST PART INFORMATION

Mouser Electronics

Authorized Distributor

Click to View Pricing, Inventory, Delivery & Lifecycle Information:

[Molex:](#)

[74059-1034](#)