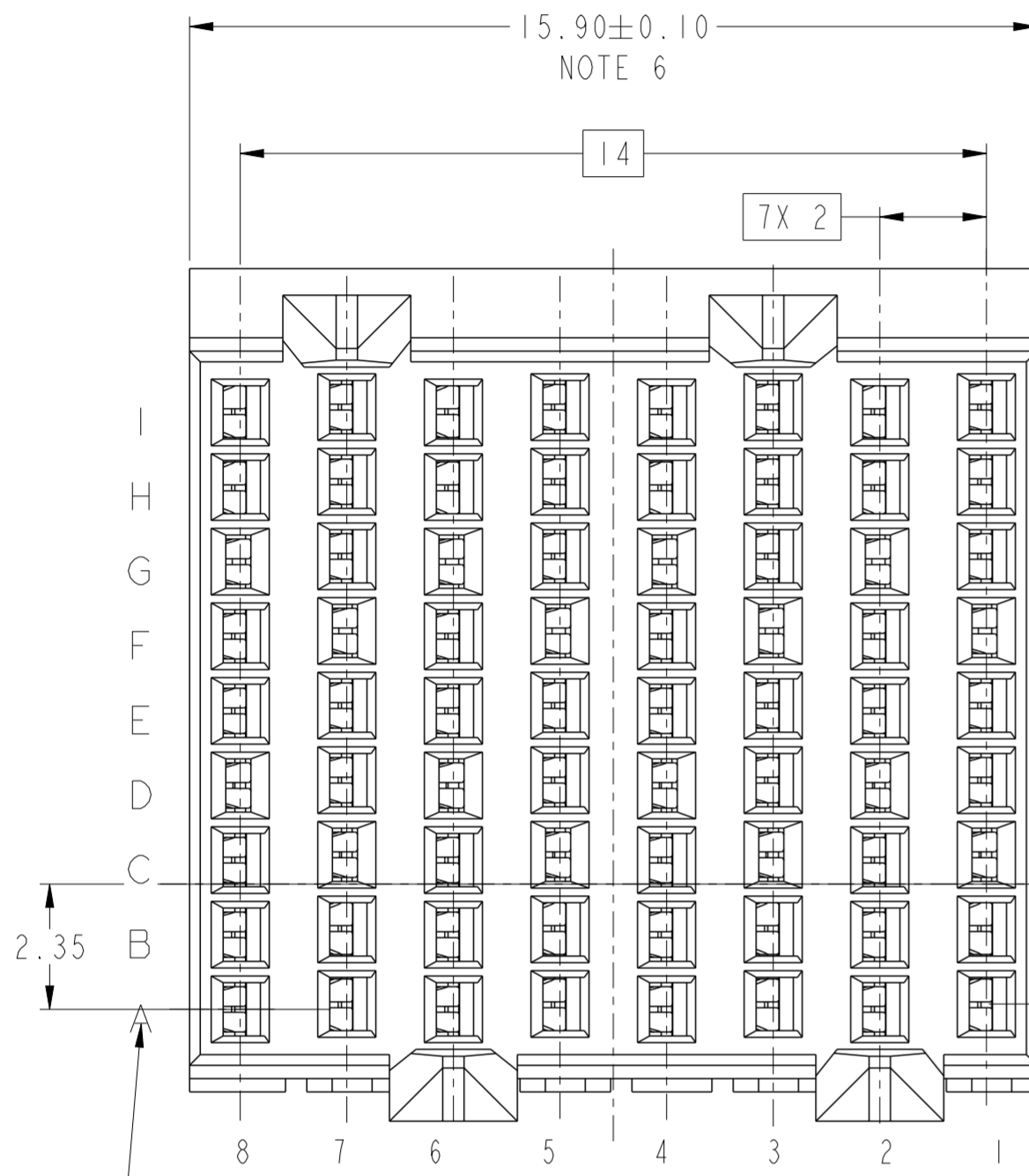


PRODUCT NUMBER  
SEE SHEET 3



TOP SURFACE OF DAUGHTER CARD

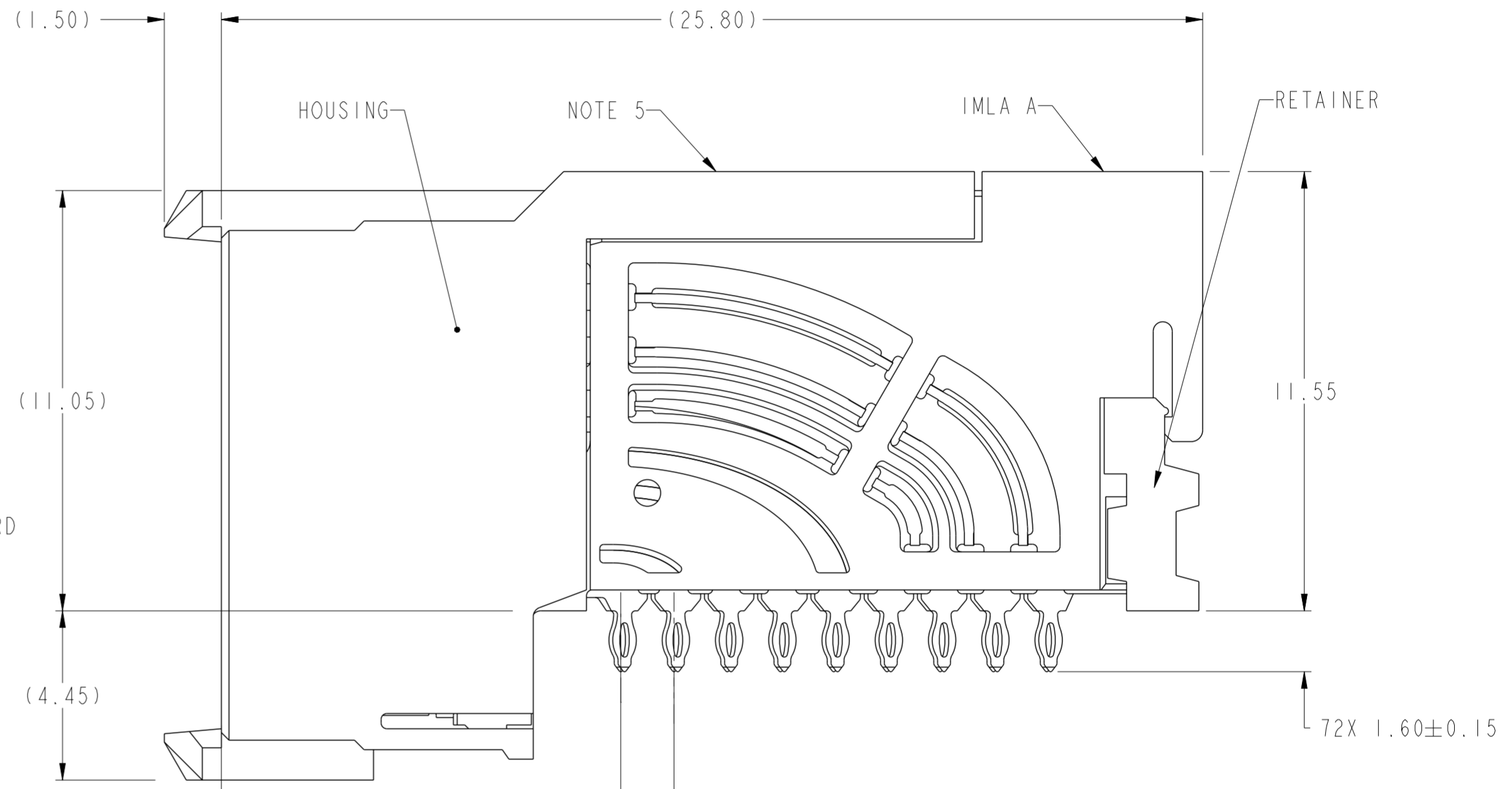
2.25

COLUMN ID

EVEN COLUMN, CONTACT ROW ID  
ODD AND EVEN COLUMNS ARE OFFSET

ODD COLUMN, CONTACT ROW ID

10.50 $\phi$  OF EVEN COLUMNS  
10.60 $\phi$  OF ODD COLUMNS



Amphenol  
FCi

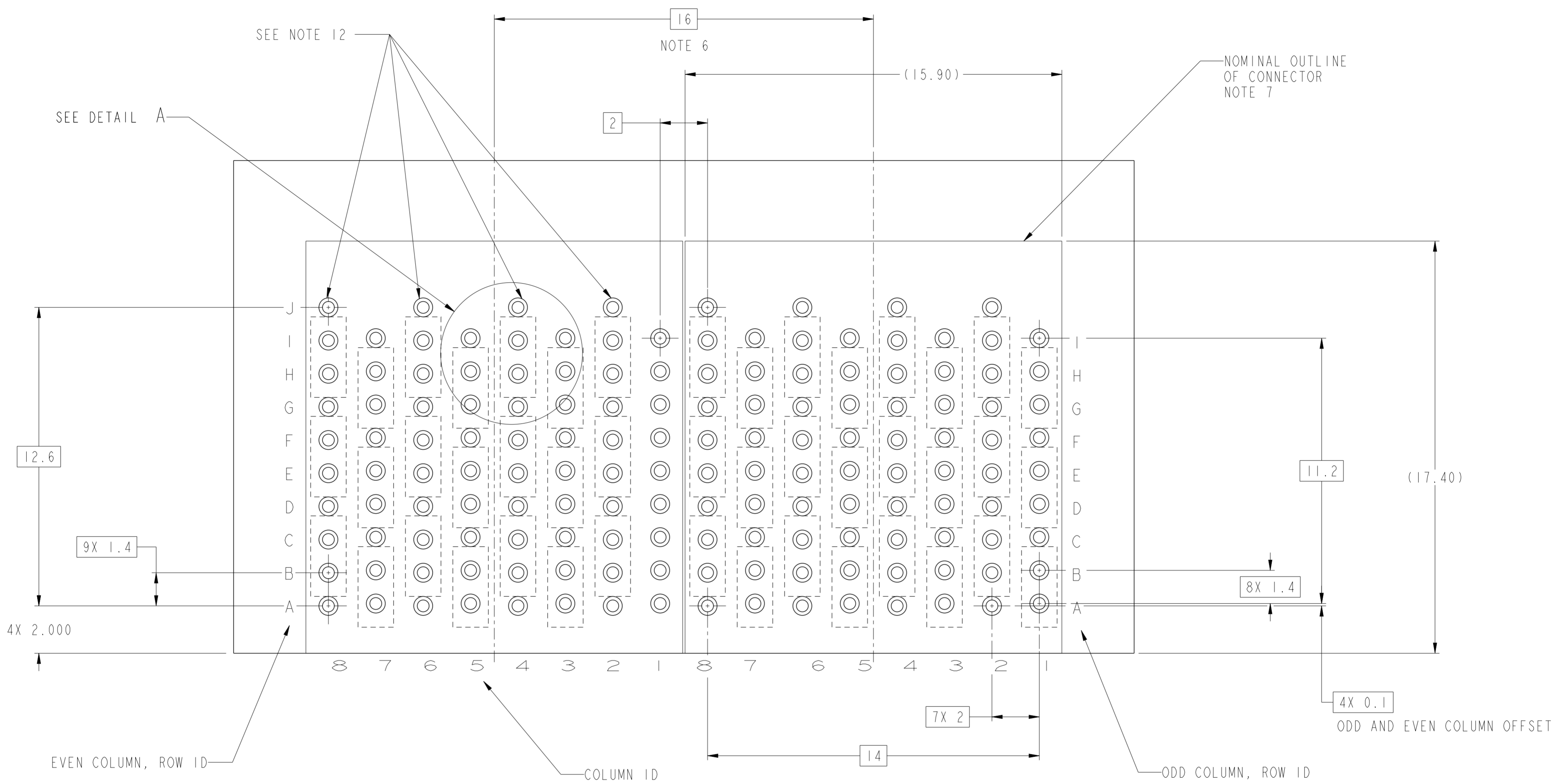
© 2016 AFCI

spec ref	---	dr	Lin-Soo Ngwe	2013/02/20	projection	MM	size	A2	scale	1:1
tolerance std	ASME Y14.5M	eng	Terry Luo	2020/09/04			ecn no	ELX-DG-38252-1	rel level <b>Released</b>	rev <b>D</b>
TOLERANCES UNLESS OTHERWISE SPECIFIED		chr	-	product family			AirMax VSE			
surface	linear 0.X ±.3 0.XX ±.10 0.XXX ±.050 angular 0° ±°	appr	Heaven Cen	2020/09/17			title <b>AIRMAX VS2 R.A. RECEPTACLE</b> ASS'Y, 3 PAIR, 72 POS, 8 IMLA, 16MM, GXT+	dwg no 10124355		

PDS: Rev :D

STATUS:Released

Printed: Sep 18, 2020

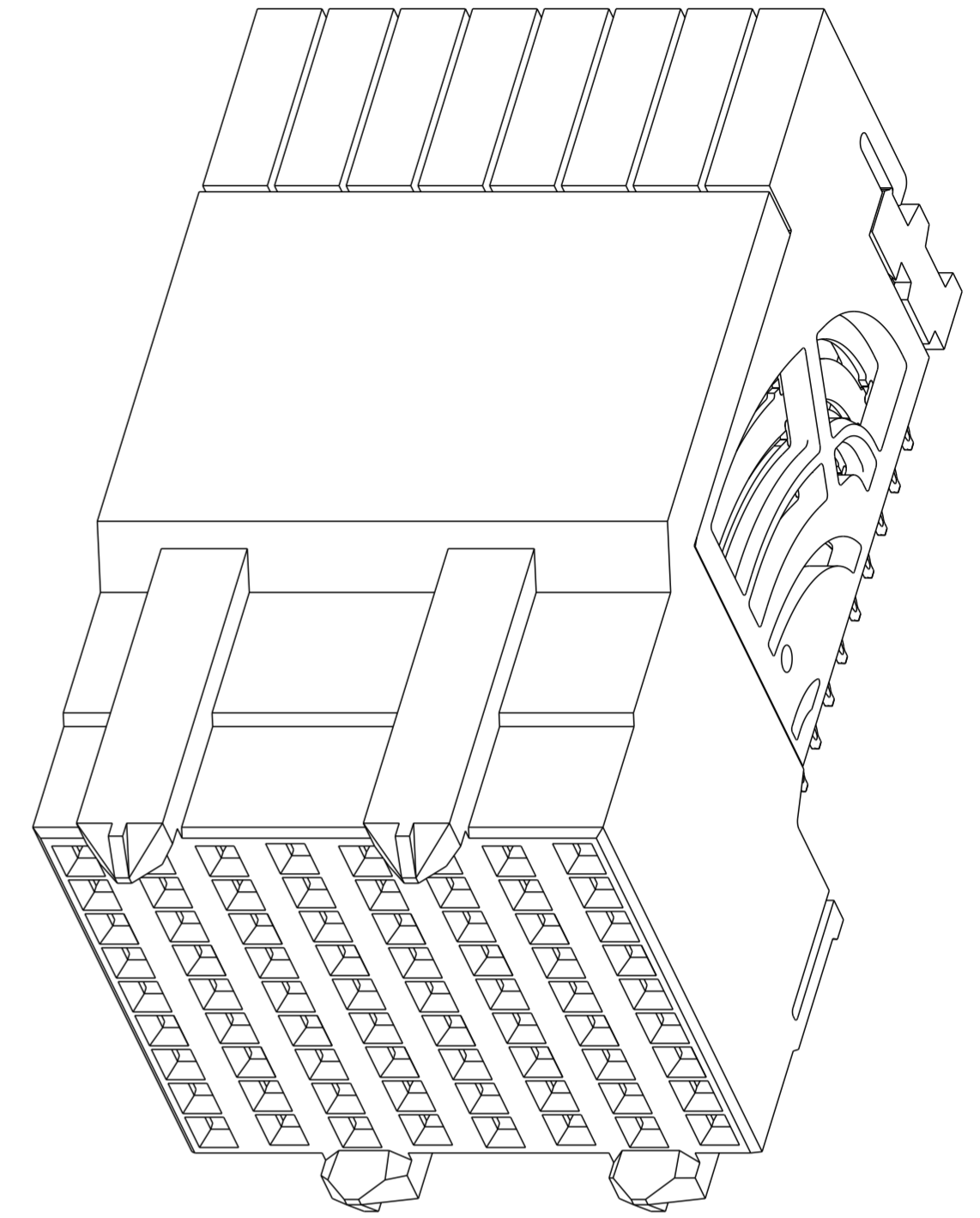


RECOMMENDED PCB LAYOUT  
FOR DIFFERENTIAL APPLICATIONS  
COMPONENT SIDE  
(TWO ADJACENT FOOTPRINTS SHOWN)  
NOTES 6, 8, & 11

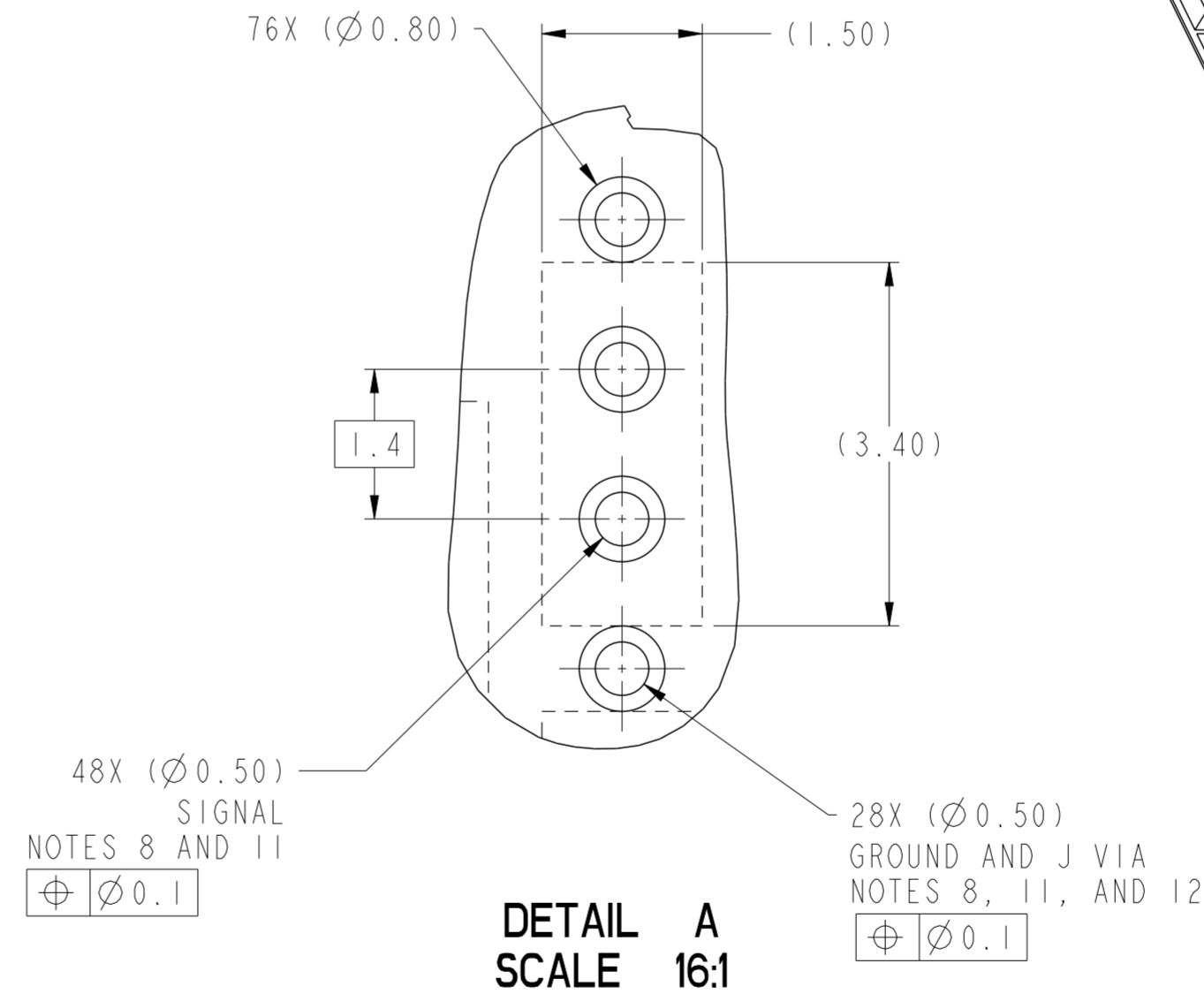
spec ref	---	dr	Lin-Soo Ngwe	2013/02/20	projection	MM	size	A2	scale	1:1	
tolerance std	ASME Y14.5M	eng	Terry Luo	2020/09/04			ecn no	ELX-DG-38252-1			
TOLERANCES UNLESS OTHERWISE SPECIFIED		chr	-	rel level				Released			
surface	-	appr	Heaven Cen	2020/09/17				product family	AirMax VSE		
linear	0.X ±.3 0.XX ±.10 0.XXX ±.050	Amphenol FCi		title		AIRMAX VS2 R.A. RECEPTACLE	dwg no	10124355		rev	D
angular	0° ±°	cat. no.		-		Product - Customer Drw	sheet 2 of 3				

PRODUCT NUMBER	PRESS-FIT TAIL PLATING TYPE
10124355-101	TIN/LEAD ALLOY OVER NICKEL
10124355-101LF	TIN OVER NICKEL (LEAD FREE)

- ① - CONNECTOR MATERIALS:  
HOUSING: HIGH TEMP THERMOPLASTIC, NATURAL, UL94-V0  
IMLA PLASTIC: HIGH TEMP THERMOPLASTIC, BLACK, UL94-V0  
CONTACT: COPPER ALLOY  
ORGANIZER: HIGH TEMP THERMOPLASTIC, WHITE, UL94-V0
- 2 - CONTACT PLATING:  
SEPARABLE INTERFACE:  
PERFORMANCE-BASED PLATING, QUALIFIED TO MEET THE REQUIREMENTS OF FCI PRODUCT SPECIFICATION GS-12-0956 INCLUDING TELCORDIA GR-1217-CORE (NOVEMBER 1995) CENTRAL OFFICE TEST SEQUENCE  
  
PRESS-FIT TAILS: SEE TABLE
- 3 - PRODUCT SPECIFICATION: GS-12-0956
- 4 - APPLICATION SPECIFICATION: GS-20-0305.
- ⑤ - PRODUCT MARKING, (PART NUMBER & LOT CODE), ON THIS SURFACE.
- ⑥ - THE MINIMUM CENTERLINE SPACING BETWEEN ADJACENT MODULES IS 16.0 MM.
- ⑦ - CONNECTOR OUTLINE MAY BE SCREEN PRINTED ONTO CUSTOMER PCB TO BE USED AS A GUIDE FOR MANUAL CONNECTOR PLACEMENT.
- ⑧ - REFER TO CUSTOMER DRAWING 10104444 FOR INFORMATION ON PCB HOLE DIAMETERS AND PLATING OPTIONS
- 9 - LEAD FREE PRODUCT MEETS THE EUROPEAN UNION DIRECTIVES & OTHER COUNTRY REGULATIONS AS DESCRIBED IN GS-22-008
- 10 - PACKAGING MEETS GS-14-920 LEAD FREE LABELING SPECIFICATION.
- ⑪ - GROUND CONTACTS (C,F, AND I IN ODD COLUMNS AND A, D, AND G, EVEN COLUMNS) REQUIRE (Ø0.500) FINISHED HOLES. SIGNAL LOCATIONS REQUIRE (Ø0.500) FINISHED HOLES.
- ⑫ - THESE OUTER VIAS (J) ARE OPTIONAL. WHILE NO CONNECTOR EONS ARE PRESSED INTO THESE HOLES WE RECCOMEND (Ø0.500) FINISHED HOLES AT THESE LOCATIONS TO PROVIDE GROUND SYMMETRY THROUGH THE PCB.



10124355-101 OR -101LF



spec ref	---	dr	Lin-Soo Ngwe	2013/02/20	projection	MM	size	A2	scale	4:1												
tolerance std	ASME Y14.5M	eng	Terry Luo	2020/09/04			ecn no	ELX-DG-38252-1														
TOLERANCES UNLESS OTHERWISE SPECIFIED		chr	-	appr			Heaven Cen	2020/09/17	product family	rel level	Released											
surface	<table border="1"> <tr> <td>linear</td> <td>0.X</td> <td>±.3</td> </tr> <tr> <td></td> <td>0.XX</td> <td>±.10</td> </tr> <tr> <td></td> <td>0.XXX</td> <td>±.050</td> </tr> <tr> <td>angular</td> <td>0°</td> <td>±°</td> </tr> </table>	linear	0.X	±.3		0.XX	±.10		0.XXX	±.050	angular	0°	±°			<b>title</b> AIRMAX VS2 R.A. RECEPTACLE ASS'Y, 3 PAIR, 72 POS, 8 IMLA, 16MM, GXT+		<b>dwg no</b> 10124355	<b>rev</b> D	Product - Customer Drw sheet 3 of 3		
linear	0.X	±.3																				
	0.XX	±.10																				
	0.XXX	±.050																				
angular	0°	±°																				

PDS: Rev :D

STATUS:Released

Printed: Sep 18, 2020