

# Product data sheet

## Miniature connectors

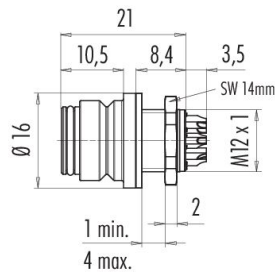


Product description	Snap-In Female panel mount connector, Contacts: 8, unshielded, solder, IP67, UL, VDE
Area	series 720
Part no.	99 9128 00 08

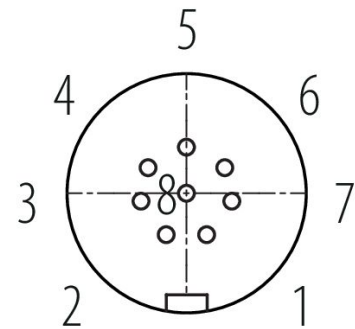
### Illustration



### Scale drawing



### Contact arrangement (Plug-in side)



You can find the component part drawing and assembly instructions on the next page.

### Technical data

#### General features

Part no.	<b>99 9128 00 08</b>
Connector design	Female panel mount connector
Version	Connector socket straight
Connector locking system	snap-in
Termination	solder
Degree of protection	IP67
Cross-sectional area	max. 0.25 mm <sup>2</sup> / AWG 24
Temperature range from/to	-25 °C / 85 °C
Mechanical operation	> 500 Mating cycles
Weight (g)	5.70
Customs tariff number	85369010
Country of Origin	DE

#### Electrical parameters

Rated voltage	125 V
Rated impulse voltage	1500 V
Rated current	2.0 A
Insulation resistance	≥ 10 <sup>10</sup> Ω
Pollution degree	2
Overvoltage category	II
Insulating material group	II
EMC compliance	unshielded

#### Material

Housing material	PA
------------------	----

# Product data sheet

## Miniature connectors



Product description **Snap-In Female panel mount connector, Contacts: 8, unshielded, solder, IP67, UL, VDE**

Area **series 720**  
Part no. **99 9128 00 08**

Contact body material	PA (UL94 V-0) black
Contact material	CuSn (bronze)
Contact plating	Au (gold)
REACH SVHC	CAS 7439-92-1 (Lead)
SCIP number	3d8423f4-040f-424f-a5e4-ea5b3dcf737f

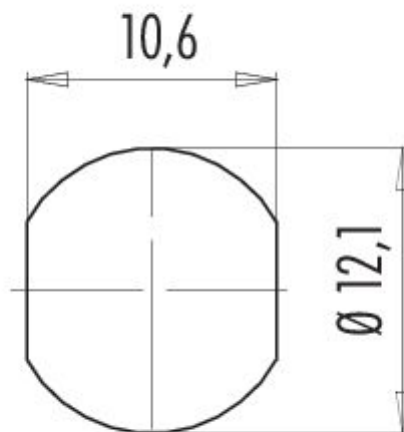
### Authorization/approvals

Approvals	UL, VDE
-----------	---------

### Classifications

eCl@ss 11.1	27-44-01-02
ETIM 9.0	EC002635

### Assembly instructions / Panel cut-out



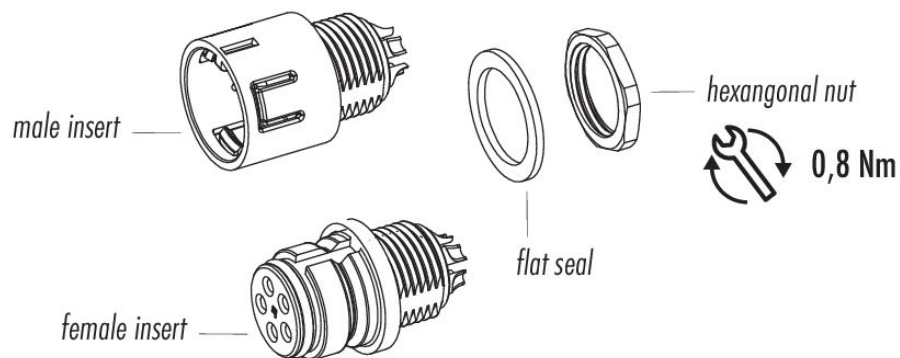
# Product data sheet

## Miniature connectors

Product description **Snap-In Female panel mount connector, Contacts: 8, unshielded, solder, IP67, UL, VDE**

Area **series 720**  
Part no. **99 9128 00 08**

### Component part drawing



## Product data sheet

# Miniature connectors



Product description	<b>Snap-In Female panel mount connector, Contacts: 8, unshielded, solder, IP67, UL, VDE</b>
Area	<b>series 720</b>
Part no.	<b>99 9128 00 08</b>

### Security notices

The connector must not be plugged or unplugged under load. Non-observance and improper use can result in personal injury.

The connectors have been developed for applications in plant engineering, control and electrical equipment construction. The user is responsible for checking whether the connectors can also be used in other areas of application.

Connectors which are used in circuits with voltages dangerous to the touch may only be installed and used by, or under the supervision of, persons with electrical engineering training, taking into account the applicable regulations and standards.

The user must take suitable safety precautions to ensure that the connector cannot be accidentally disconnected.

Plug connectors with enclosure protection IP67 and IP68 are not suitable for use under water. When used outdoors, the plug connectors must be protected separately against corrosion. For further information on the IP protection classes, please refer to the "Technical Information" download centre.

The plug connector is not suitable for mains voltages. Please observe the pollution degree and the overvoltage category. For further information, please refer to the download center "Technical Information".