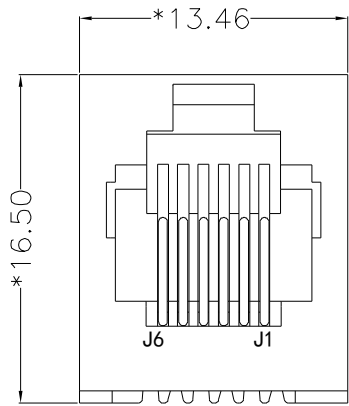
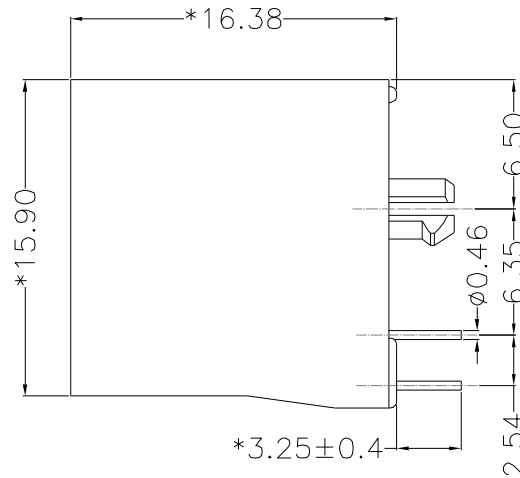


ÜÖÖP/ÄÜJ PÜ
ÄÖUT ÚŠÖP V

ÜÖXE	ÖÖP/ÄÖÖÜÖÜVÖP	ÖY	ÖCE/Ö
A0	NEW	X.YAN	2018.05.08



FRONT VIEW

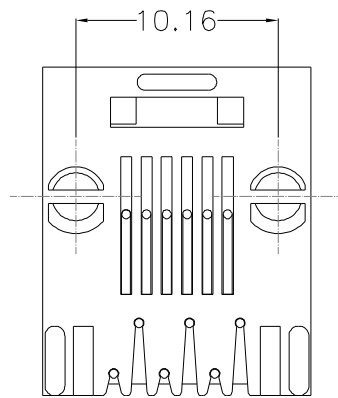


RIGHT SIDE VIEW

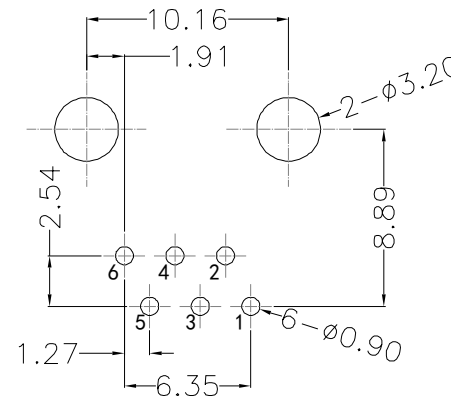
MATERIAL:
HOUSING: PBT,UL94V-0,BLACK.
TERMINAL: PHOSPHOR BRONZE Ø=0.46MM, G/FU" GOLD PLATING.

MACHANICAL:
DURABILITY: 750 CYCLES MIN,12.5MM/MINUTE.
INSERTION FORCE: 2.2KG.F MAX.
RETENTION STRENGTH: 7.7KG.F BETWEEN JACK AND PLUG.
OPERATING TEMPERATURE: -40°C~+85°C.
STORAGE TEMPERATURE: -40°C~+85°C.
ALL CRITICAL DIMENSIONS WITH "*"

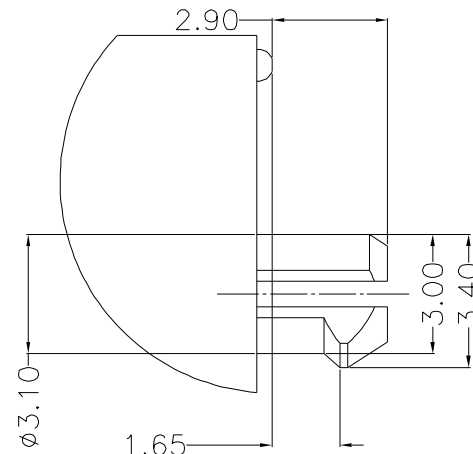
ELECTRICAL:
VOLTAGE: 125 VOLTS AC.
CURRENT RATING : 1.5AMP.
DIELECTRIC STRENGTH: 1000 VAC RMS 50HZ OR 60HZ,1MIN.
INSULATION RESISTANCE: 500 MEGA OHMS MIN. INITIAL
AFTER 500V DC FOR 1 MINUTE.
CONTACT RESISTANCE: SINGLE TERMINAL 30 MILLIOHMS MAX.
INITIAL 50 MILLIOHMS MAX. AFTER
DURABILITY TEST.



BACK VIEW



RECOMMENDED PCB LAYOUT
VIEWED FROM COMPONENT SIDE



A(2:1)



CND-tek
磁联达

深圳磁联达电子有限公司
Shenzhen magnetic Lianda Electronics Co., LTD
Address: 505, West Block, No. 221, Niucheng Road, Niucheng Village, Baiwang
Community, Xili Street, Nanshan District, Shenzhen
E-mail: sales1@cd-tek.com 0755-27652992 29016433 Website:www.cd-tek.com

VÖŠÖK
RJ11 1*1 6P6C

ÜCEVÄPUEK
R1166R22

ÜÖT ÖÜSK

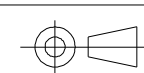
ÜQÖ
ÖE

ÜCÖŠÖ
FKF

ÜPÖÖV
FBF

WPÖÜ
TT ZP ÖPá

ÜÖX
ÖE



ÖÖPÖÜÖŠÄUŠÖÜÖPÖÖÜ
WPŠÖÜÜÄÜÖÖÖÖ

Ö ÖH	Ö HÖ»
Ö ÖHE	Ö ÖGE»
Ö ÖEG	Ö ÖFE»
Ö ÖEE	Ö ÖFE»

ÖÖPÖÜÖŠÄUŠÖÜÖPÖÖÜ
X.YAN

ÖÜÜÜXÖÖÖYK
QG.CHEN

ÖPÖÖSÖÖÖYK
SL.WANG

ÖÖÜÖPÖÖÖYK
X.YAN