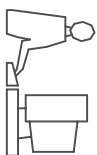
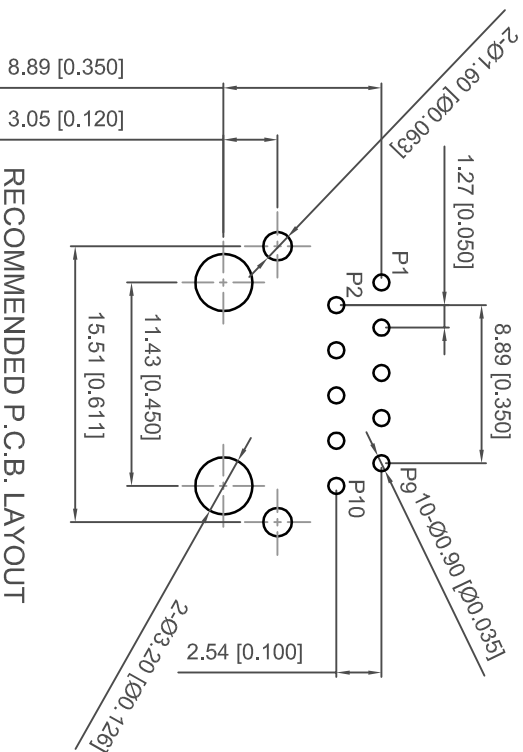
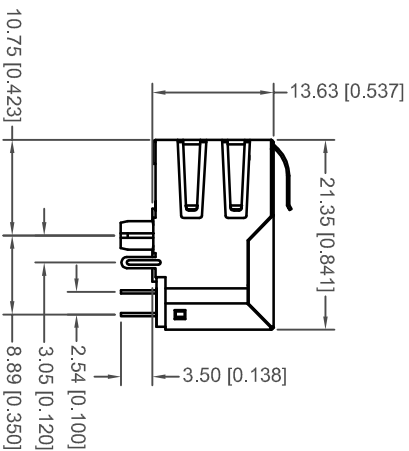
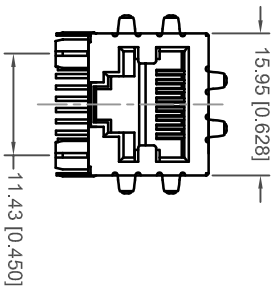


TOLERANCE UNLESS OTHERWISE SPECIFIED IN MM:
 0 ±0.38
 0.0 ±0.25
 0.00 ±0.10

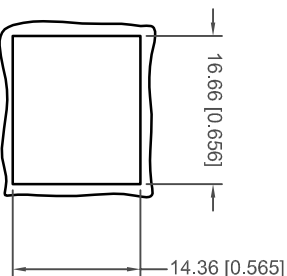
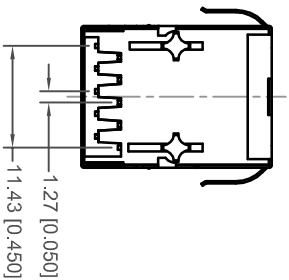
THIS IS A C.A.D. GENERATED DRAWING
 DO NOT MAKE MANUAL REVISIONS TO MASTER.



ISSUE NUMBER	1
ORIGINAL	1
UPDATE DRAWING	2
R.STA.MONICA	NOV.10/2011



RECOMMENDED P.C.B. LAYOUT
 TOLERANCE: ±0.08[±0.003]



**RECOMMENDED
 PANEL CUTOUT DIMENSION**

- NOTES:**
1. MATERIALS:
 HOUSING: THERMOPLASTIC, UL94 V-0, COLOR: BLACK
 SHIELD: BRASS WITH NICKEL PLATING
 CONTACTS: COPPER ALLOY PLATED WITH GOLD PLATING AND TIN IN SOLDER AREA
- | PART NO | GOLD PLATING THICKNESS |
|-----------------|-------------------------|
| A60-112-300P432 | GOLD FLASH PLATING |
| A60-113-300P432 | 15 MICRO INCHES OF GOLD |
| A60-114-300P432 | 30 MICRO INCHES OF GOLD |
2. OPERATING TEMPERATURE: 0°C TO +70°C
 3. STORAGE TEMPERATURE: -40°C TO +85°C
 4. MATE WITH MODULAR PLUG CONFORMING TO FCC PART 68, SUBPART F.
 5. RECOMMENDED TEMPERATURE FOR WAVE SOLDERING IS 260°C MAX, 10 SEC MAX
 6. DIMENSION: MM [INCHES]

**RJ45 MAGNETIC JACK WITHOUT LED, 10P, 8C
 SHIELDED/10/100/1000 Mbps FILTER**

ACAD REFERENCE NO.: A60-113-300P432

DRAWN: R.STA.MONICA DATE: NOV.19/2010

CHECKED: DATE:

PART NUMBER

SEE NOTE

SHEET 1 OF 2

DRAWING NUMBER

A60-112-300P432

ISSUE

2



THIS SERIES FULLY CONFORMS TO THE
 EUROPEAN UNION DIRECTIVES 2002/95/EC
 AND 2002/96/EC FOR ROHS COMPLIANCY.



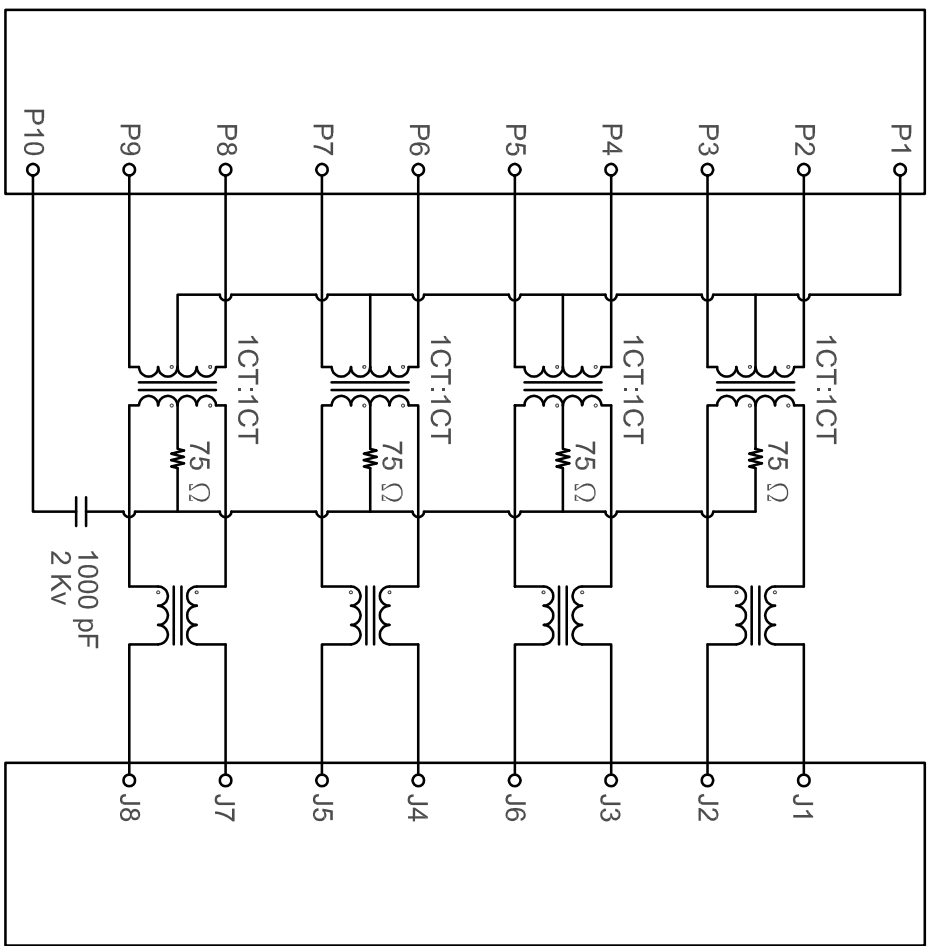
EDAC INC
 TORONTO, ONTARIO
 CANADA

YOUR CONNECTION TO QUALITY & SERVICE

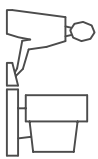
ELECTRICAL CIRCUIT:

CONNECTOR SOLDER SIDE

RJ45 CONTACT SIDE



THIS IS A C.A.D. GENERATED DRAWING
DO NOT MAKE MANUAL REVISIONS TO MASTER.



TEST NOTES:(25±5°C)

1. TR:(100KHz,0.1V): 100%
PINS:(P2,P3):(J1,J2)=1:1±5%:(P4,P5):(J3,J6)=1:1±5%
PINS:(P6,P7):(J4,J5)=1:1±5%:(P8,P9):(J7,J8)=1:1±5%
2. LX:(100KHz,100mV,8mA, DC Bias) 100%
PINS:(P2,P3),(P4,P5),(P6,P7),(P8,P9)=350uH MINIMUM
3. DC RESISTANCE: 1.2 OHMS MAXIMUM
4. INSERTION LOSS:
-1.0 dB MINIMUM AT 1MHz TO 100MHz;
-1.2 dB MINIMUM AT 100MHz TO 125MHz;
5. RETURN LOSS:
-16dB MAXIMUM AT 1MHz TO 40MHz;
-12dB MAXIMUM AT 30MHz TO 60MHz
-10dB MAXIMUM AT 60MHz TO 80MHz
-8dB MAXIMUM AT 80MHz TO 100MHz
6. CROSS TALK:
-30dB MINIMUM AT 1MHz TO 100MHz
7. COMMON TO COMMON MODE REJECTION:
-30dB MINIMUM AT 1MHz TO 100MHz
8. ISOLATION PHY SIDE TO LINE SIDE: 2250 VDC

**RJ45 MAGNETIC JACK WITHOUT LED, 10P , 8C
SHIELDED/10/100/1000 Mbps FILTER**

ACAD REFERENCE NO.: A60-113-300P432

DRAWN: R.STA.MONICA DATE: NOV.19/2010

CHECKED: DATE:

PART NUMBER SEE NOTE SHEET 2 OF 2

DRAWING NUMBER A60-112-300P432 ISSUE

2



THIS SERIES FULLY CONFORMS TO THE
EUROPEAN UNION DIRECTIVES 2002/95/EC
AND 2002/96/EC FOR ROHS COMPLIANCY.



EDAC INC
TORONTO, ONTARIO
CANADA
YOUR CONNECTION TO QUALITY & SERVICE

THESE DRAWINGS AND SPECIFICATIONS
ARE THE PROPERTY OF EDAC INC. AND
SHALL NOT BE REPRODUCED OR COPIED
OR USED AS THE BASIS FOR THE
MANUFACTURE OR SALE OF APPARATUS
WITHOUT WRITTEN PERMISSION.