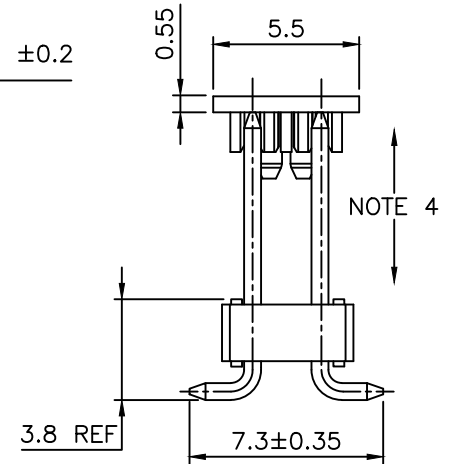
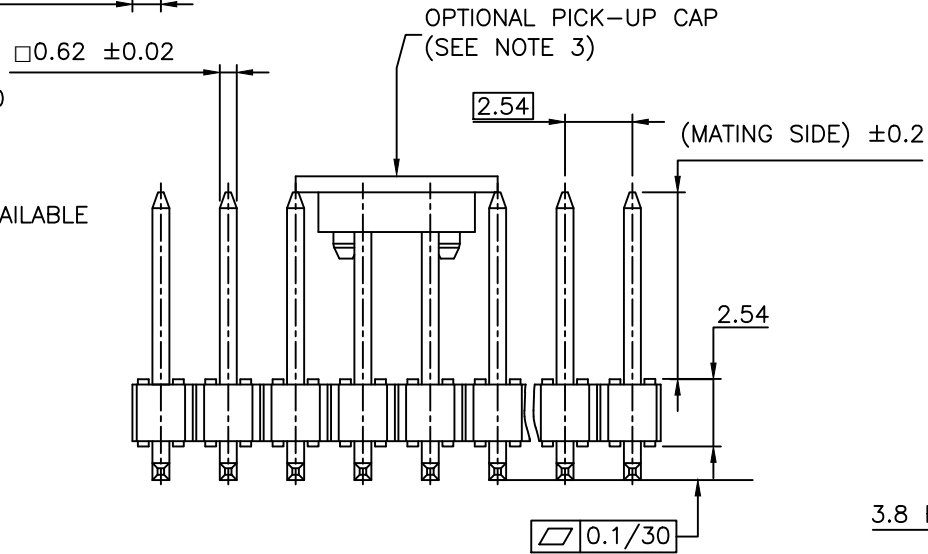
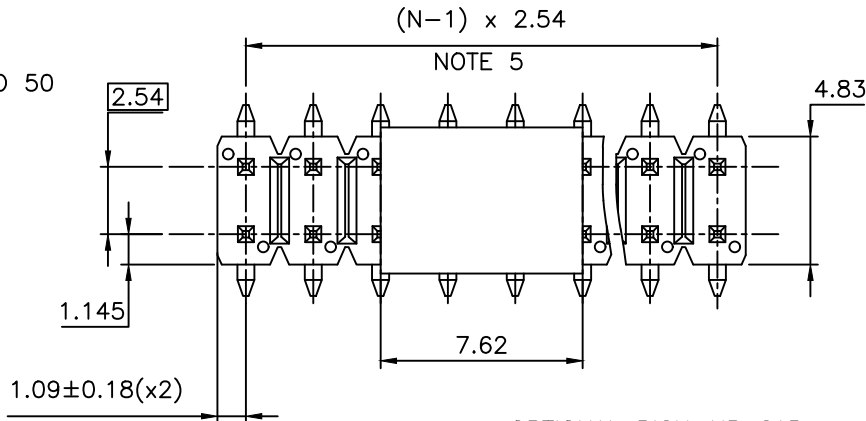


PRODUCT NUMBER
95278-YXX-XXLF

- RoHS COMPATIBLE, NOTE 6.
- TOTAL NB OF POSITIONS 04 TO 50
- PACKAGING OPTIONS, NOTE 3.
- PIN STYLE SEE SHEET 2
- PLATING SEE SHEET 2

NOTES:

1. HOUSING MAT'L : HIGH TEMPERATURE THERMOPLASTIC. UL94V-0 COLOR: BLACK
2. PIN MATERIAL : PHOSPHOR BRONZE
- 3 - PACKAGING OPTIONS:
 - = POLY BAGS
 - B = TUBE + CAP
 - A = TAPE & REEL WITH CAP, AS AVAILABLE
 - TR = CUSTOM TAPE & REEL WITH CAP, SEE TA840 ONLY FOR P/N 95278-102TR04LF AND P/N 95278-101TR10LF
 - T = TUBE WITHOUT PICK UP CAP
 - K = TAPE & REEL WITHOUT PICK UP CAP, AS AVAILABLE
4. 9N MIN RETENTION IN EITHER DIRECTION
5. TO DETERMINE DIMENSIONS :
N = NUMBER OF POSITIONS PER ROW
6. RoHS COMPATIBLE PRODUCT SPECIFICATIONS
 - a - PLATING:
 - "LF" MEANS THE PRODUCT IS LEAD-FREE, 2µm MINIMUM MATTE TIN OVER 1.27µm MINIMUM NICKEL UNDERPLATE.
 - b - MANUFACTURING PROCESS COMPATIBILITY
 - THE HOUSING WILL WITHSTAND EXPOSURE TO 260°C PEAK TEMPERATURE FOR 30 SECONDES IN A CONVECTION, INFRA-RED OR VAPOR PHASE REFLOW OVEN.
 - c - LABELING:
 - MEETS PACKAGING SPECS AS PER GS-14-920
 - d - LEGAL STATEMENT: SEE GS-47-0004

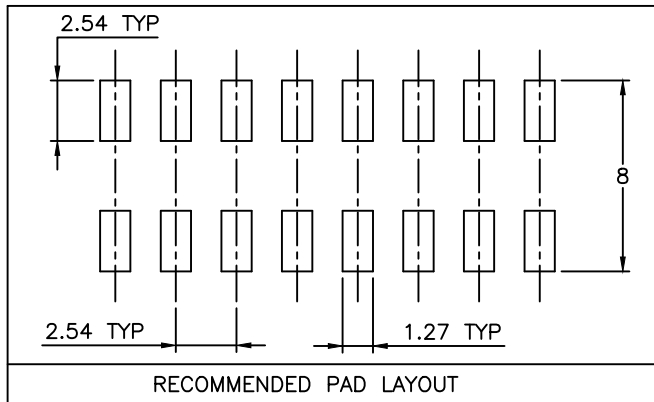


mat'l. code				surface		tolerance		projection		product family	
				ISO 1302		ISO 406 ISO 1101		mm		BERGSTIK	
ltr ecn no dr date				tolerances unless otherwise specified		angles		linear		title	
W F-22120 BVE 15.10.09				x.x ± 0.3						UNSHR.HEADER	
X F-22217 BVE 15.10.19				x.xx ± 0.13						DR SMT	
Y F-23055 AMA 16.01.15				x.xxx ± 0.05				scale 5:1		dwg no sheet 1 of 2 size	
AA F-23246 AMA 16.02.12 dr D.LE 01.01.24								FCJ		95278 A3	
AB F-23258 AMA 16.02.15 engr JM.C 01.01.24										type CUSTOMER Drawing	
AC F-23474 JJU 16.03.08 chr JM.C 01.01.24											
AD F-31155 DDE 18.09.05 appd JF.N 01.01.24											
sheet index		revision		AD U							
1		2									

PIN STYLE	MATING
01	5.9
02	8
03	9.9
04	11.4
05	9.2
06	10.4
07	5.3
09	17.00
10	8.10
11	8.50
12	3.05
13	14.35
14	4.00
15	6.60

PLATING

- 1 = 0.76µm GOLD/GXT ON CONTACT AREA, 2µm TIN MIN ON TAIL
 - 4 = 2µm TIN MIN FULL PLATED
 - 5 = 0.25µm GOLD/GXT ON CONTACT AREA, 2µm TIN MIN ON TAIL
 - 8 = 0.38µm GOLD/GXT ON CONTACT AREA, 2µm TIN MIN ON TAIL
- 1.27µm NICKEL MIN UNDERLAYER FOR ALL PLATING VERSIONS



mat'l. code				surface		tolerance		projection		product family	
				ISO 1302		ISO 406 ISO 1101				BERGSTIK	
ltr ecn no dr date				tolerances unless otherwise specified						title	
N F08-0253 LMU 08.12.10				angles linear				mm		UNSHR.HEADER	
P B-18789 LMU 14.09.11								scale N/A		DR SMT	
R B-18983 LMU 14.10.03										dwg no sheet 2 of - size	
S B-20276 LMU 15.02.16 dr				D.LE		01.01.24				95278 A3	
T B-20561 AMA 15.03.26 engr				JM.C		01.01.24				type CUSTOMER Drawing	
U F-22120 BVE 15.10.09 chr				JM.C		01.01.24					
				appd		JF.N		01.01.24			
sheet index		revision sheet									

Mouser Electronics

Authorized Distributor

Click to View Pricing, Inventory, Delivery & Lifecycle Information:

[FCI / Amphenol:](#)

[95278-801-16LF](#) [95278-801-18LF](#) [95278-801-20LF](#) [95278-801-22LF](#) [95278-801-24LF](#) [95278-801-26LF](#) [95278-801-28LF](#) [95278-801-30LF](#) [95278-801-32LF](#) [95278-801-34LF](#) [95278-801-36LF](#) [95278-801-38LF](#) [95278-801-40LF](#) [95278-801A04LF](#) [95278-801A06LF](#) [95278-801A08LF](#) [95278-801A10LF](#) [95278-801A12LF](#) [95278-801A14LF](#) [95278-801A16LF](#) [95278-801A20LF](#) [95278-801A34LF](#) [95278-801B04LF](#) [95278-801B06LF](#) [95278-801B10LF](#) [95278-801B14LF](#) [95278-801B16LF](#) [95278-801B18LF](#) [95278-801B20LF](#) [95278-801B26LF](#) [95278-801B30LF](#) [95278-801B36LF](#) [95278-801B40LF](#) [95278-801B46LF](#) [95278-801B50LF](#) [95278-801T10LF](#) [95278-801T20LF](#) [95278-802-04LF](#) [95278-802-06LF](#) [95278-802-08LF](#) [95278-802-10LF](#) [95278-802-12LF](#) [95278-802-14LF](#) [95278-802-16LF](#) [95278-802-18LF](#) [95278-802-20LF](#) [95278-802-22LF](#) [95278-802-24LF](#) [95278-802-26LF](#) [95278-802-28LF](#) [95278-802-30LF](#) [95278-802-32LF](#) [95278-802-34LF](#) [95278-802-36LF](#) [95278-802-38LF](#) [95278-802-40LF](#) [95278-802A16LF](#) [95278-802B08LF](#) [95278-802B10LF](#) [95278-802B14LF](#) [95278-802B16LF](#) [95278-802B20LF](#) [95278-802B34LF](#) [95278-802T06LF](#) [95278-802T08LF](#) [95278-802T10LF](#) [95278-802T12LF](#) [95278-802T16LF](#) [95278-802T20LF](#) [95278-802T30LF](#) [95278-802T34LF](#) [95278-802T40LF](#) [95278-101-34LF](#) [95278-101-42LF](#) [95278-101-46LF](#) [95278-101-48LF](#) [95278-101A28LF](#) [95278-101A40LF](#) [95278-101A44LF](#) [95278-101B18LF](#) [95278-101B28LF](#) [95278-101B36LF](#) [95278-101B38LF](#) [95278-101B42LF](#) [95278-101B44LF](#) [95278-101B46LF](#) [95278-101B48LF](#) [95278-102-06LF](#) [95278-102-42LF](#) [95278-102-44LF](#) [95278-102-46LF](#) [95278-102-48LF](#) [95278-102A12LF](#) [95278-102A16LF](#) [95278-102A20LF](#) [95278-102A22LF](#) [95278-102B06LF](#) [95278-102B08LF](#) [95278-102B12LF](#) [95278-102B16LF](#)