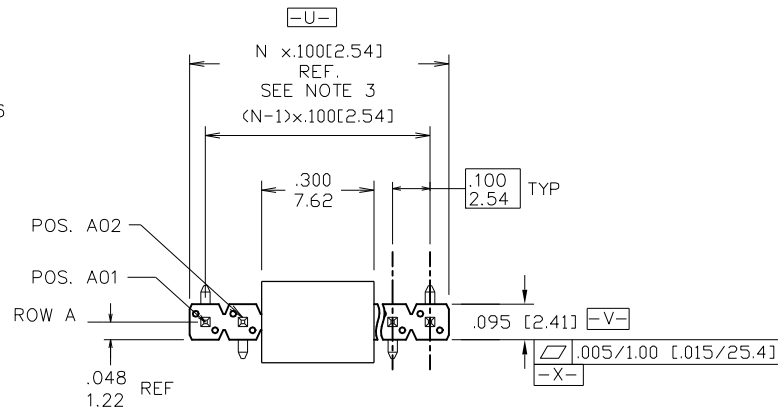


PRODUCT NUMBER  
54201 - X XX - XX - XXX

PLATING  
S=15μ"/0.38μm GOLD ON CONTACT AREA (NOTE 13) 100u"/2.54μm TIN ON TAIL  
G=30μ"/0.76μm GOLD ON CONTACT AREA (NOTE 13) 100u"/2.54μm TIN ON TAIL  
T=100μ"/2.54μm TIN ON CONTACT AREA & ON TAIL (SEE NOTE 8 & 12)  
F=2μ"/0.05μm] GOLD ON CONTACT AREA & ON TAIL

POLARIZATION, SEE NOTE 6  
PACKAGING TYPE, NOTE 5  
POSITIONS PER ROW 02 TO 17

LEAD STYLE	POST LGTH.
08	0.230/5.84
30	0.318/8.08

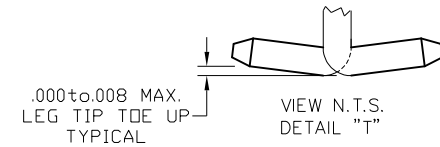
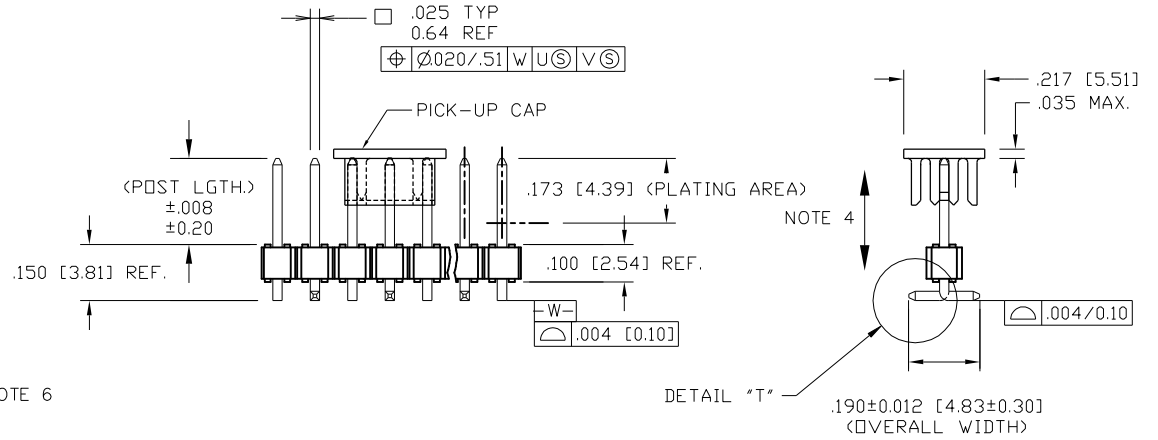


LEAD FREE PRODUCT NUMBER  
54201 - X XX XX - XXX LF

PLATING  
S=15μ"/0.38μm GOLD ON CONTACT AREA (NOTE 13) 100u"/2.54μm TIN ON TAIL  
G=30μ"/0.76μm GOLD ON CONTACT AREA (NOTE 13) 100u"/2.54μm TIN ON TAIL  
T=100μ"/2.54μm TIN ON CONTACT AREA & ON TAIL (SEE NOTE 8 & 12)  
F=2μ"/0.05μm] GOLD ON CONTACT AREA & ON TAIL

LEAD FREE NOTE 9 & 10  
POLARIZATION, SEE NOTE 6  
PACKAGING TYPE, NOTE 5  
POSITIONS PER ROW 02 TO 17

LEAD STYLE	POST LGTH.
08	0.230/5.84
30	0.318/8.08



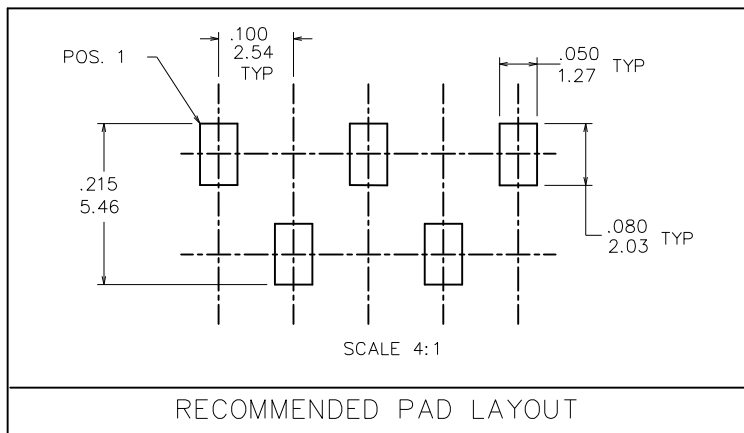
mat'l. code		surface ISO 1302 ✓		tolerance ISO 406 ISO 1101		projection INCH/MM		product family BERGSTIK	
ltr	ecn no	dr	date	tolerances unless otherwise specified		title		sheet 1 of 3	
R	M08-0279	MHT	9/30/08	angles	linear	.100 UNSHROUDED HDR. S/R VERT. SURF. MNT.		size A3	
S	ELX-N-14294	DCS	2013-03-19	0°±2°		scale 1:1		dwg no 54201	
T	ELX-N-26942	MZ	2017-05-09	xxxx±.0020/xxx±0.05		Amphenol FCI		type Product Customer Drawing	
sheet index		revision	T	T	T				
		sheet	1	1	1				

TAPE AND REEL PACKAGING

SIZE	LEAD STYLE 08 POST (0.230 [5.84])	LEAD STYLE 30 POST (0.318 [8.08])
1X2	YES	NONE
1X3	↑	↑
1X4		
1X5		
1X6		
1X7		
1X8		
1X9		
1X10		
1X11		
1X12		
1X13		
1X14		
1X15		
1X16	↓	
1X17	YES	
1X18	NONE	
1X19	NONE	↓
1X20	NONE	NONE

NOTES:

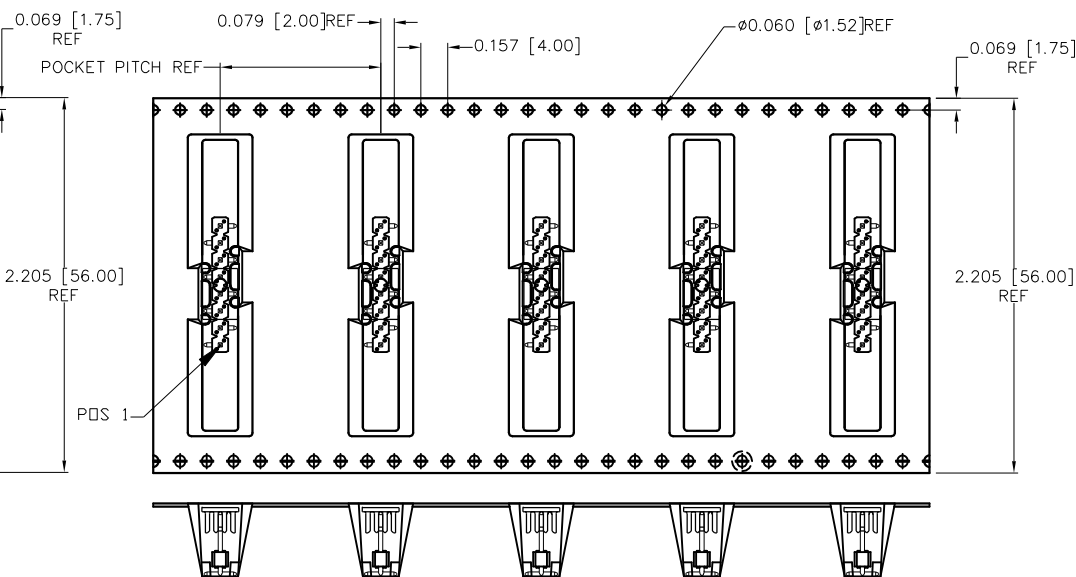
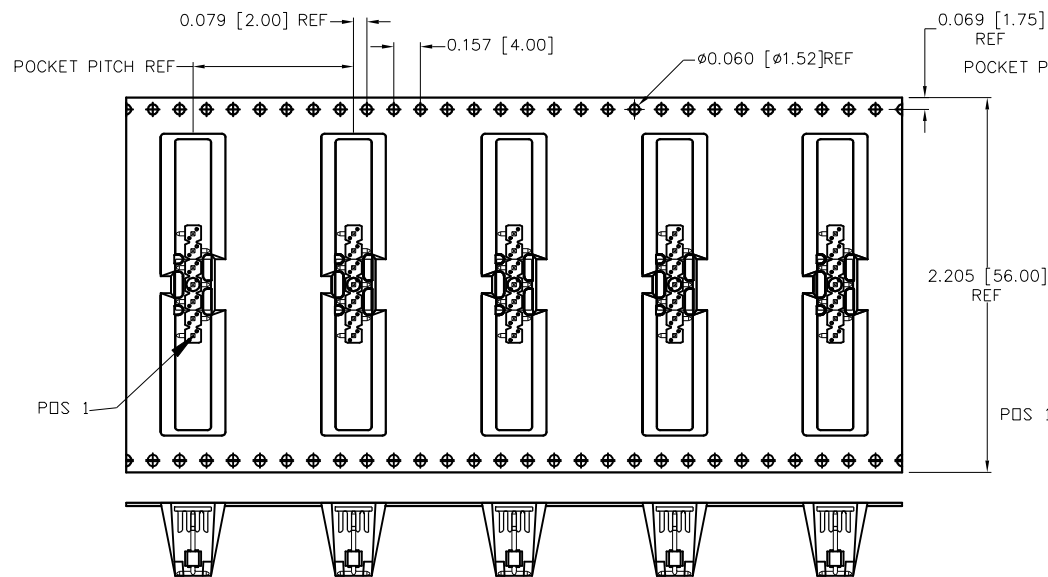
- HOUSING MAT'L: HIGH TEMPERATURE THERMOPLASTIC. UL94V-0  
COLOR: BLACK  
OR  
MINERAL FILLED LCP FLAME RETARDENT  
PER UL-94V-0. COLOR: BLACK.
- PIN MATERIAL: PHOSPHOR-BRONZE
- TO DETERMINE DIMENSIONS:  
N = NUMBER OF POSITIONS PER ROW.  
EXAMPLE: 10 POS., N x .100/2.54=1.00/25.4
- 2LBS/0.9KG MIN. PIN RETENTION IN EITHER DIRECTION.
- PACKAGING: - = POLY BAGS  
P = TUBES WITH PICKUP CAPS.  
A = TAPE AND REEL WITH PICKUP CAPS.  
S = TAPE AND REEL WITH PICKUP CAPS (24MM WIDTH CARRIE TAPE).
- FOR POLARIZATION, SPECIFY POSITION NUMBER (i.e. A03=ROW A POS. 3)  
TO OMIT PIN. IF THIS FEATURE IS NOT APPLICABLE, OMIT FROM PROD. NO..  
PRODUCT MANAGEMENT APPROVAL IS REQUIRED PRIOR TO THE  
RELEASE OR SALE OF POLARIZED PRODUCTS.
- UNDERPLATING: 50µ"/1.27µm Ni.
- PIN TIPS ON Sn PLATED PRODUCT MAY HAVE BARE METAL ON TOW SIDES,  
BOTH ENDS.
- PART NUMBERS WITH "LF" AT THE END ARE LEAD FREE.
- THIS PRODUCT MEETS EUROPEAN UNION DIRECTIVES AND OTHER  
COUNTRY REGULATION AS DESCRIBED IN GS-22-008.
- THE HOUSING WILL WITHSTAND EXPOSURE TO 260°C PEAK TEMPERATURE  
FOR 20 SECONDS IN A CONVECTION, INFRA-RED OR VAPOR PHASE REFLOW  
OVEN. SEE APPLICATION NOTES/PROCEDURES IF THEY ARE AVAILABLE.
- "THIS PRODUCT HAS 100% PURE TIN PLATING IN THE INTERFACE AND  
HAS NOT BEEN TESTED FOR WHISKER GROWTH IN ALL INTERCONNECT  
ENVIRONMENTS."
- PLATING OPTIONS:  
MAY BE EITHER GOLD OR GXT PLATED AT MANUFACTURER'S OPTION.



mat'l. code		surface ISO 1302 ✓	tolerance ISO 406 ISO 1101	projection 	product family BERGSTIK
ltr	ecn no	dr	date	tolerances unless otherwise specified	title
T				angles linear xxx±.01/xxx±0.3 xxx±.005/xxx±0.13 0°±2° xxxx±.0020/xxx±0.05	.100 UNSHROUDED HDR. S/R VERT. SURF. MNT.
				dr D.INGRAM 05/11/99	scale 1:1
				enr H.SUNDY 07/21/99	Amphenol FCI
				chr H.SUNDY 07/21/99	dwg no 54201 sheet 2 of 3 size A3
				appd H.SUNDY 07/21/99	type Product Customer Drawing
sheet index	revision sheet				

CARRIER FOR ODD NUMBERS OF ROWS

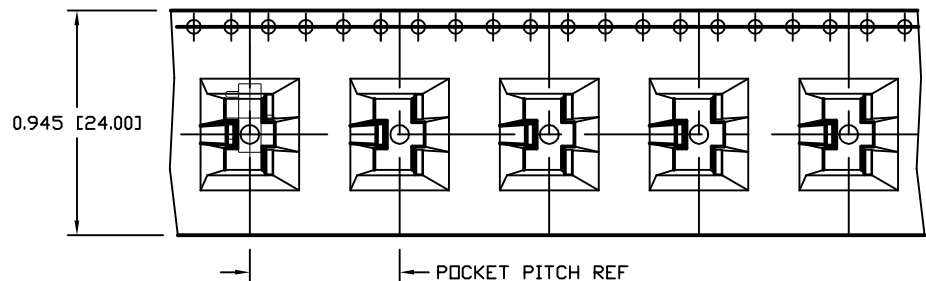
CARRIER FOR EVEN NUMBERS OF ROWS



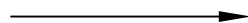
UN-REELING DIRECTION OF FEED



UN-REELING DIRECTION OF FEED



UN-REELING DIRECTION OF FEED



54201-\*\*\*\*SLF  
SPECIAL REQUEST OF CARRIER TAPE

mat'l. code		surface ISO 1302	tolerance ISO 406 ISO 1101	projection 	product family BERGSTIK
ltr	ecn no	dr	date	tolerances unless otherwise specified	title
T				.xxx±.01/.xxx±0.3 linear .xxx±.005/.xxx±0.13 0°±2° xxx±.0020/.xxx±0.05	.100 UNSHROUDED HDR. S/R VERT. SURF. MNT.
				scale 1:1	dwg no
					sheet 3 of 3
					size A3
					type Product Customer Drawing
sheet index	revision sheet				

Amphenol  
FCI

© 2016 AFCI



# Mouser Electronics

Authorized Distributor

Click to View Pricing, Inventory, Delivery & Lifecycle Information:

## [FCI / Amphenol:](#)

[54201-G08-02P](#) [54201-S0803ALF](#) [54201-G08-03](#) [54201-G08-12P](#) [54201-S0803PLF](#) [54201-G0808PA05LF](#) [54201-T0807ALF](#) [54201-G0807ALF](#) [54201-S08-03](#) [54201-S3007ALF](#) [54201-G08-08PA05](#) [54201-T0804ALF](#) [54201-G0802PLF](#) [54201-S08-14](#) [54201-G3008LF](#) [54201-G0805PLF](#) [54201-G0802ALF](#) [54201-S0810ALF](#) [54201-G0805ALF](#) [54201-S0802ALF](#) [54201-S0805LF](#)