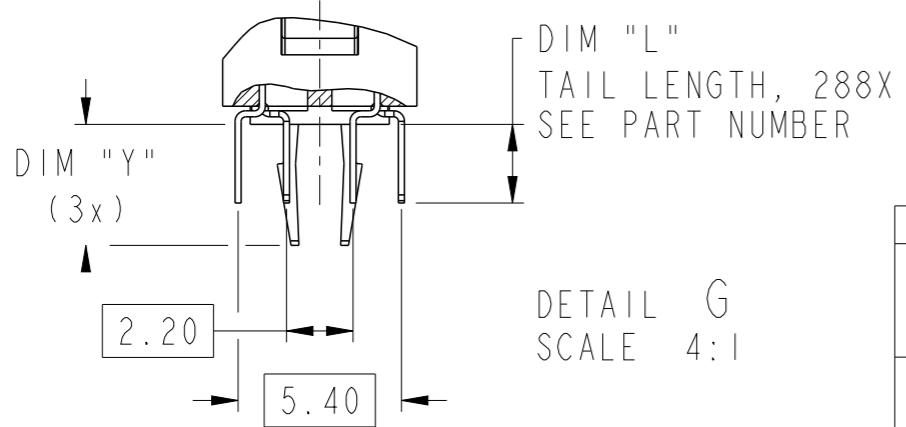
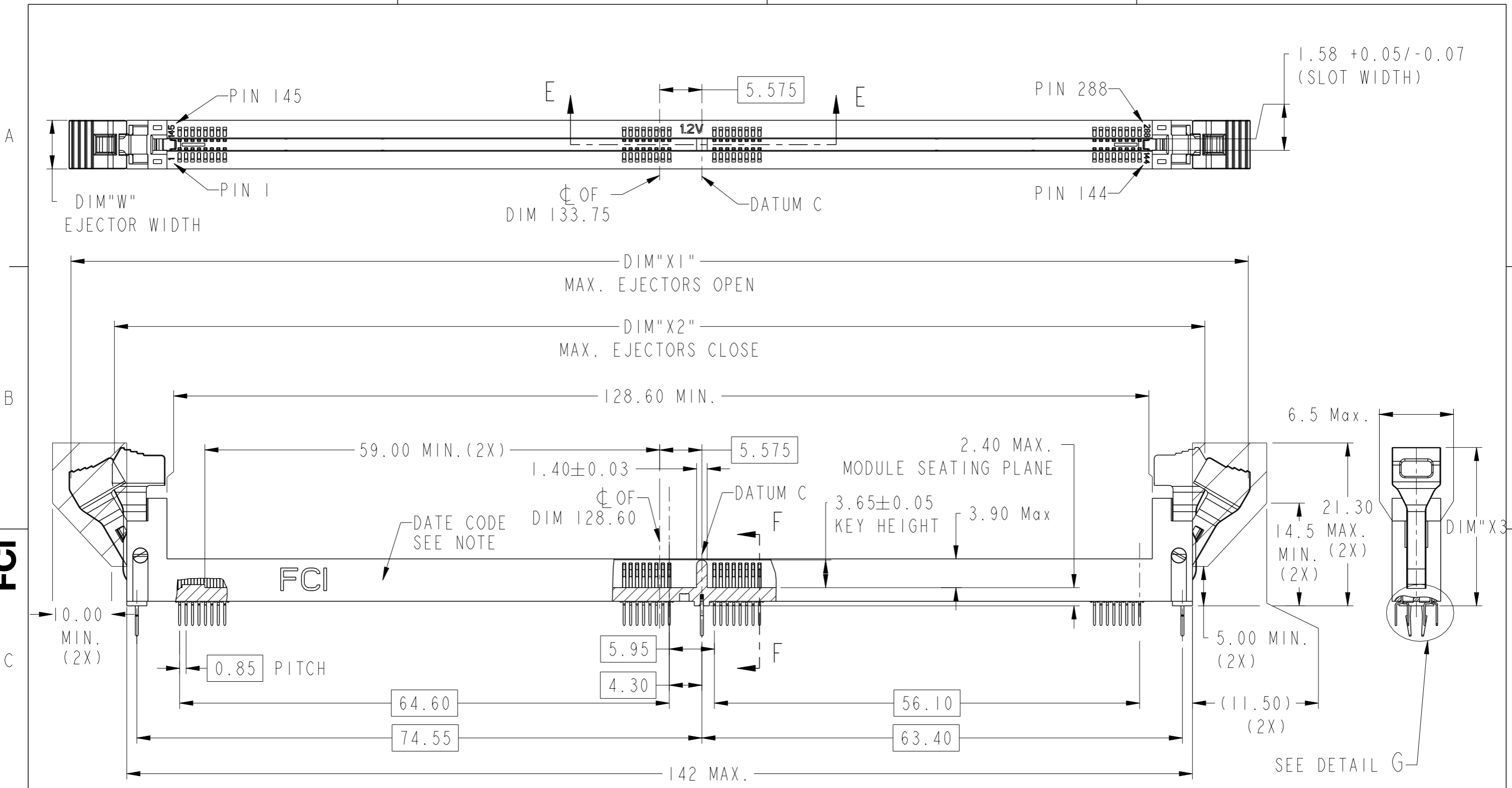


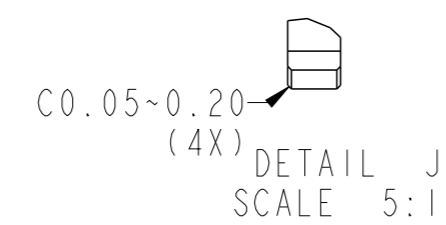
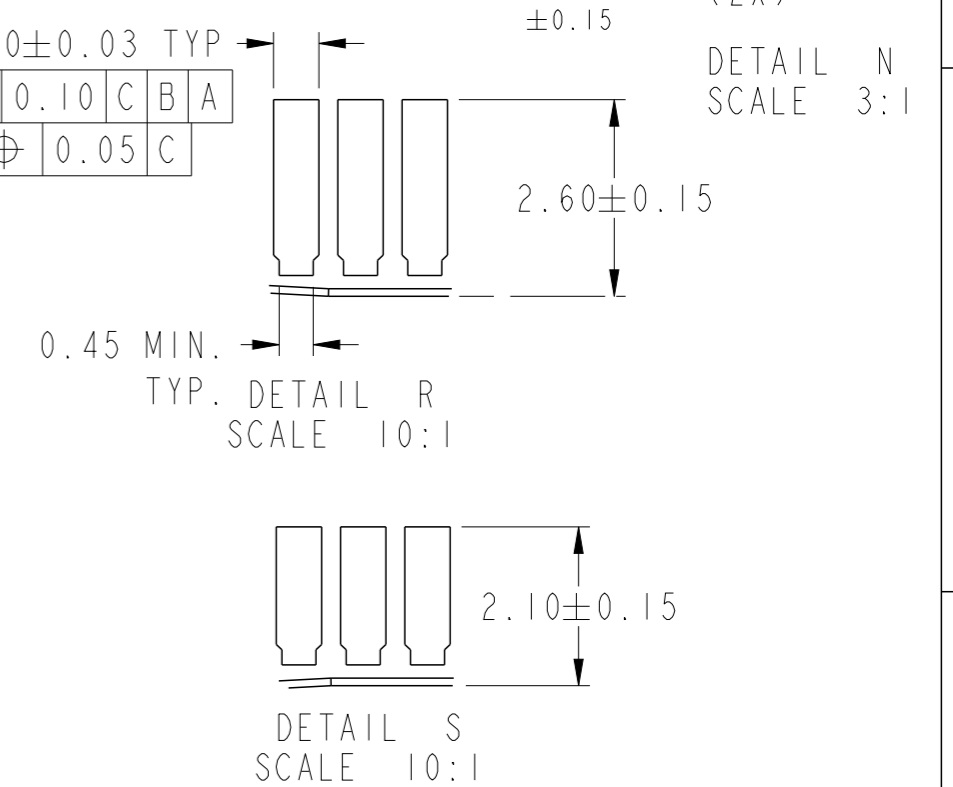
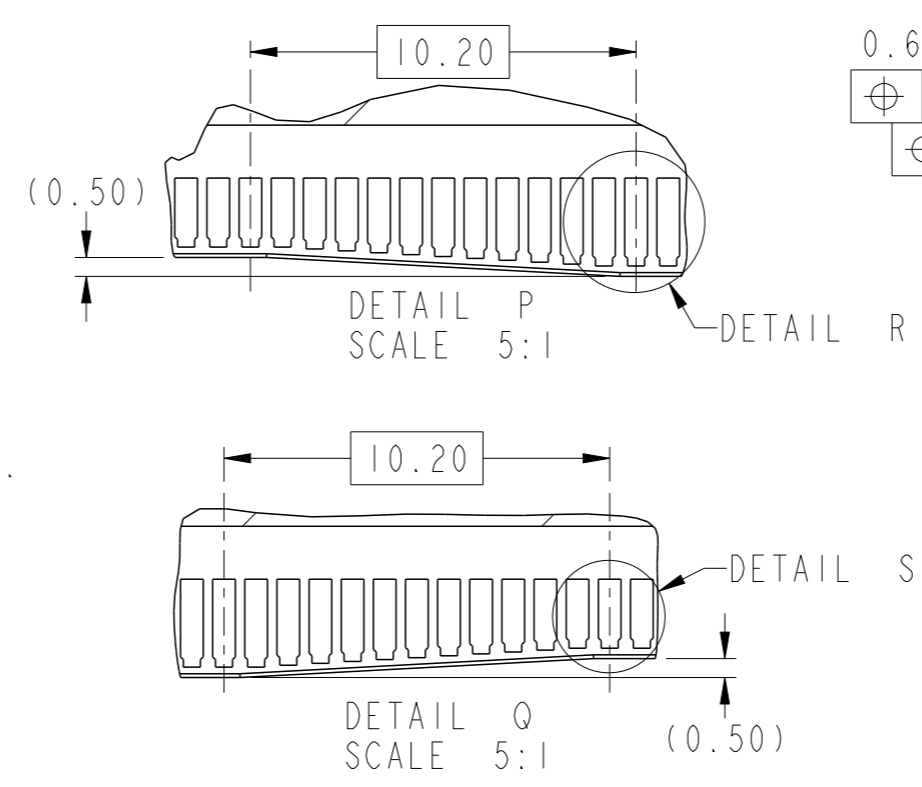
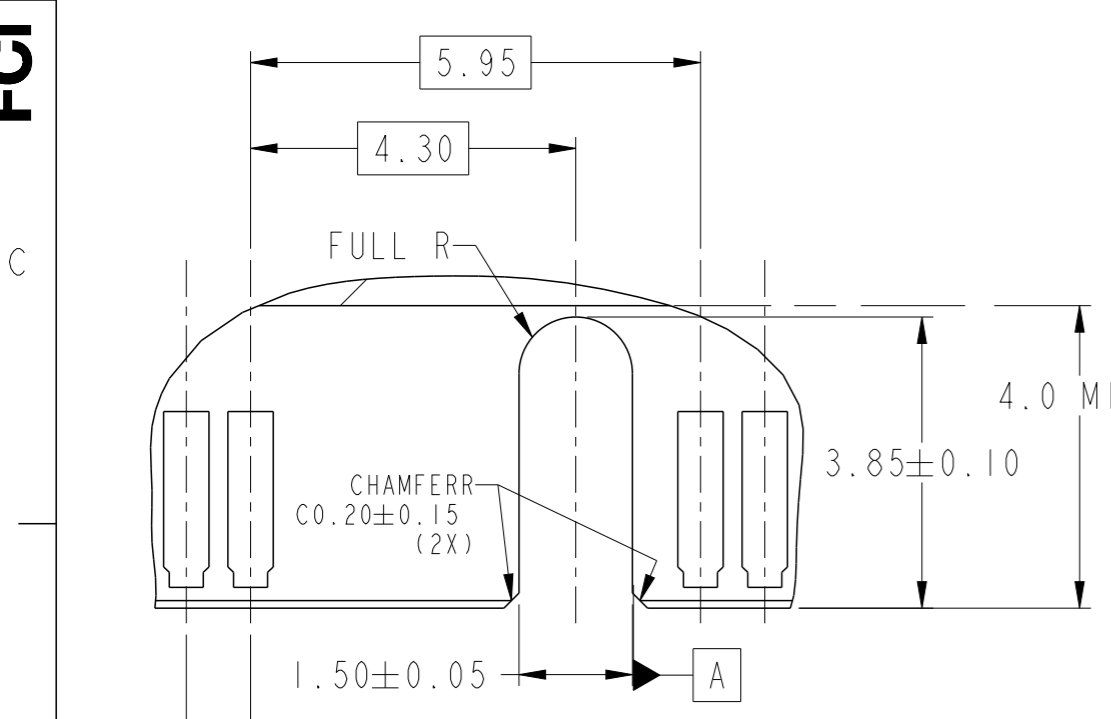
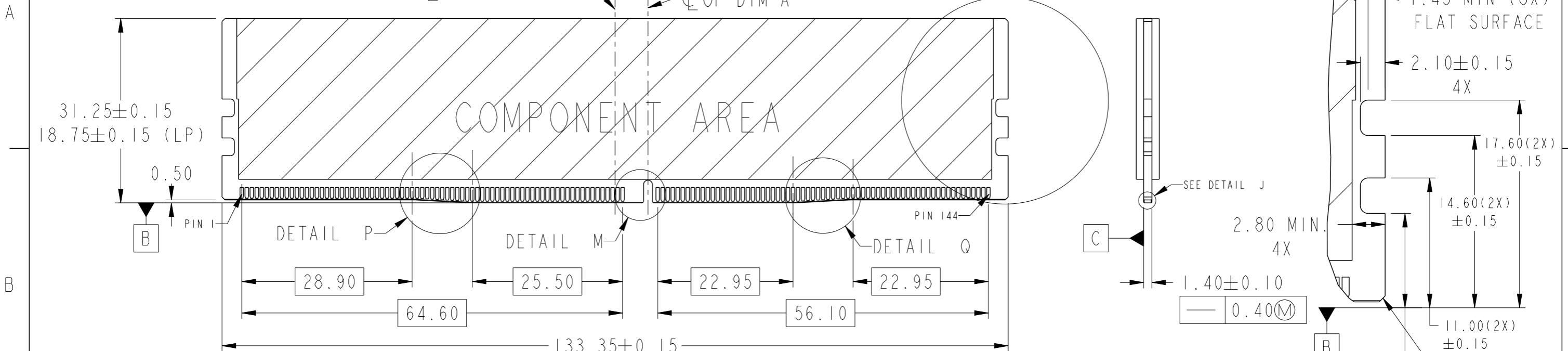
Amphenol
FCi

© 2016 AFCI



spec ref	dr	Jeny Ren	2017/09/06	projection	MM	size	A3	scale	7:5	
tolerance std	eng	Girder Liang	2018/11/09			ecn no	ELX-DG-31788-1			
TOLERANCES UNLESS OTHERWISE SPECIFIED						product family	-	rel level	Released	
surface	linear	0.X	±0.30	Amphenol FCI		dwg no	10145226		rev	D
		0.XX	±0.20	DDR4 288Pin DIMM CONNECTOR PTH TERMINATION		cat. no.	-	Product - Customer Drw	sheet 1 of 4	
ASME Y14.5	angular	0°	±2°							

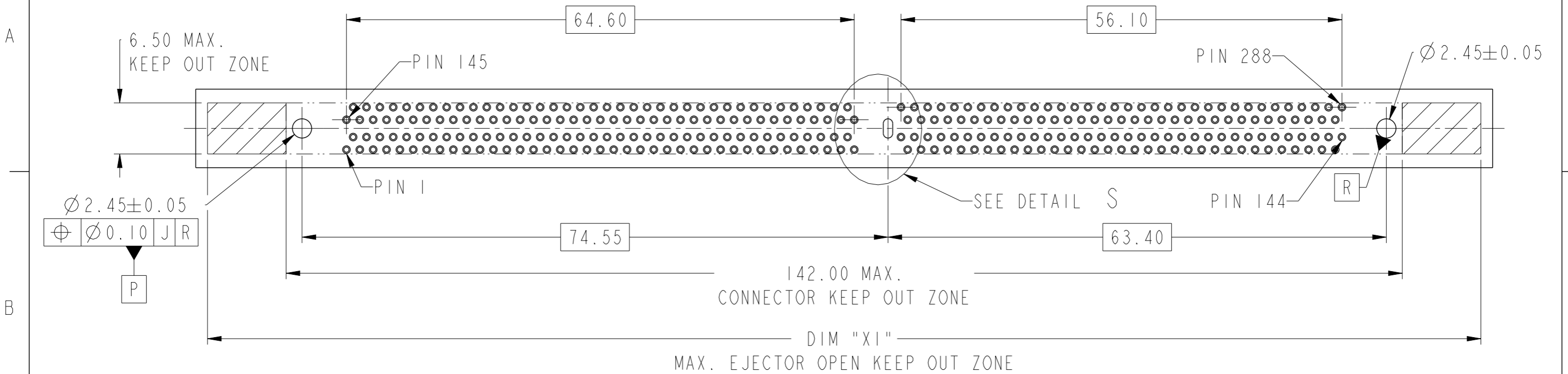
DDR4 MODULE
 MORE INFORMATION REFER TO JEDEC MO-309



spec ref	dr	Jeny Ren	2017/09/06	projection	MM	size	A3	scale	3:2
tolerance std	eng	Girder Liang	2018/11/09			ecn no	ELX-DG-31788-1	rel level	Released
TOLERANCES UNLESS OTHERWISE SPECIFIED		chr	-			product family	-		dwg no
surface	linear	0.X	±0.30	Amphenol FCI		DDR4 288Pin DIMM CONNECTOR		cat. no.	-
		0.XX	±0.20			PTH TERMINATION		Product - Customer Drw	sheet 2 of 4
		0.XXX	±0.10						
ASME Y14.5	angular	0°	±2°						

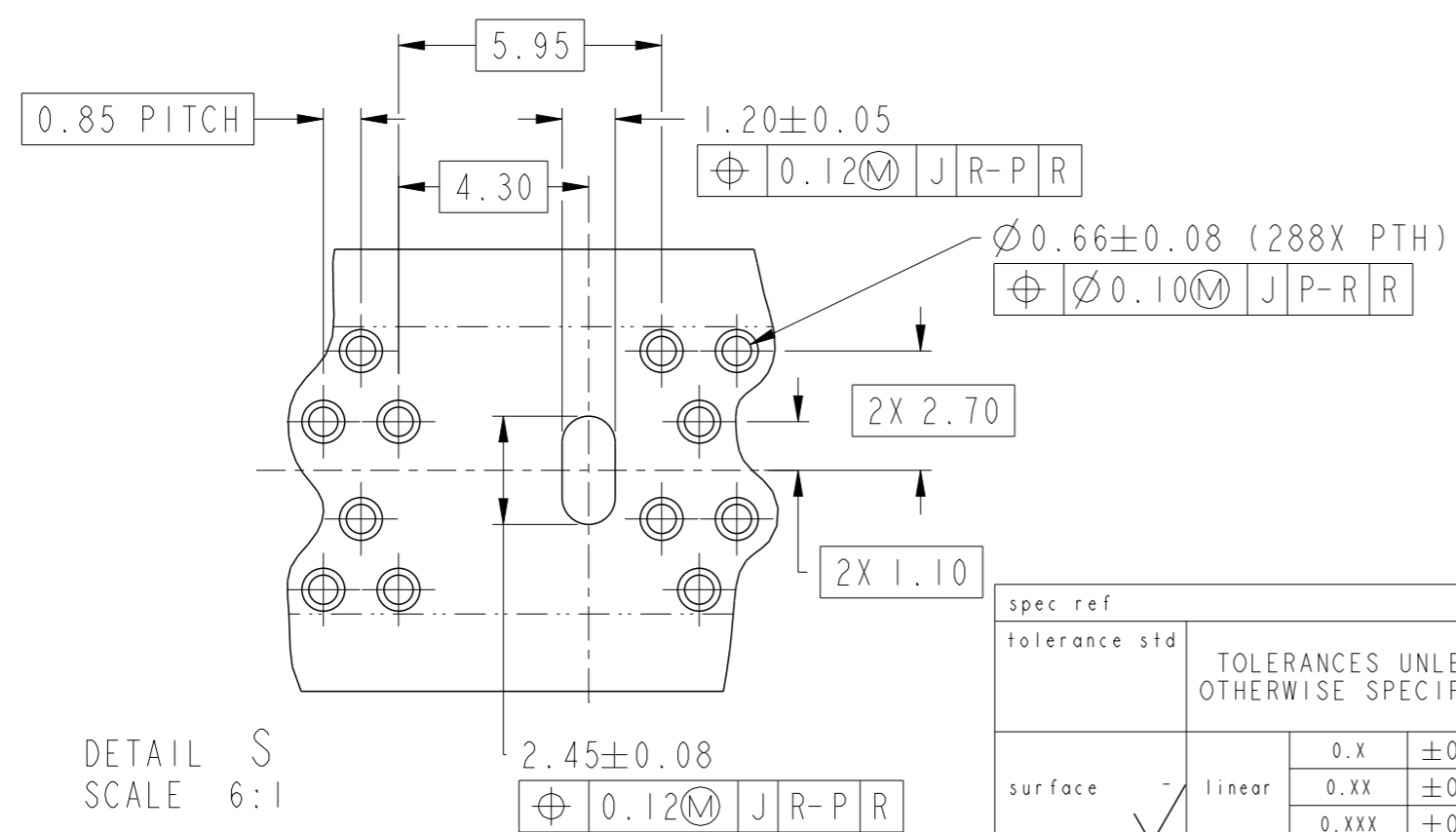
© 2016 AFCI
 Amphenol FCI

RECOMMENDED PCB LAYOUT
 MORE INFORMATION REFER TO JEDEC SO-016



Amphenol
 FCI

© 2016 AFCI



spec ref	dr	Jeny Ren	2017/09/06	projection	MM	size	A3	scale	2:1	
tolerance std	eng	Girder Liang	2018/11/09			ecn no	ELX-DG-31788-1			
TOLERANCES UNLESS OTHERWISE SPECIFIED		chr	-			product family	-	rel level	Released	
surface	linear	ASME Y14.5	angular	0°	±2°	Amphenol FCI		DDR4 288Pin DIMM CONNECTOR PTH TERMINATION	dwg no 10145226	rev D
				cat. no.	-	Product - Customer Drw			sheet 3 of 4	

PRODUCT PART NUMBER

10145226-□□□□□□□□

ADDITIONAL REQUIREMENTS

0: ERGONOMICS TYPE
1: SPECIAL HIGH TEMPERATURE RESIN

HOLD DOWNS CONFIGURATIONS

0: 3 FORKLOCKS, DIM "Y"=4.00±0.25
1: 3 FORKLOCKS, DIM "Y"=2.50±0.25
2: 3 FORKLOCKS, DIM "Y"=3.78±0.25

DIM "L", TAIL LENGTH

0: 2.60±0.25
1: 3.20±0.25
3: 2.40±0.25
4: 2.10±0.25
5: 2.95±0.25
6: 2.80±0.25

HOUSING COLOR

0: NATURAL
1: BLACK

EJECTOR TYPE

CODE	COLOR	DIM"X1"	DIM"X2"	DIM"W"	DIM "X3"
N	NATURAL	158.00	146.00	(6.42)	(20.9)
P	BLACK				
Q	GREEN				
3	NATURAL	152.00	142.00	(6.42)	(19.35)
4	BLACK				
5	GREEN				

CONTACT AREA PLATING

CODE	CONTACT AREA	UNDERPLATING
11LF	15u" MIN.GOLD	50u" MIN.NICKEL
13LF	30u" MIN.GOLD	

NOTES:

- MATERIALS:
HOUSING: HIGH PERFORMANCE RESINS, GLASS FIBER FILLED, UL94 V-0 RATED.
EJECTOR: HIGH PERFORMANCE RESINS, GLASS FIBER FILLED, UL94 V-0 RATED.
TERMINAL: COPPER ALLOY
FORKLOCK: COPPER ALLOY
- DATE CODE "MMDDYYL", MMDDYY IS ASSEMBLY DATE, L IS FCI PRODUCTION LINE.
- SPECIFICATION:
PRODUCTION SPECIFICATION: FCI GS-12-1092.
PACKAGE SPECIFICATION: FCI GS-14-2267.
APPLICATION SPECIFICATION: FCI GS-20-0353.
- LEAD FREE PRODUCT MEETS EUROPEAN UNION DIRECTIVES AND OTHER COUNTRY REGULATIONS AS DESCRIBED IN FCI GS-22-008.
- THIS PRODUCT WILL WITHSTAND EXPOSURE TO 260°C PEAK TEMPERATURE FOR 10 SECONDS IN WAVE SOLDERING APPLICATION.

spec ref	dr	Jeny Ren	2017/09/06	projection	MM	size	A3	scale	4:1	
tolerance std	eng	Girder Liang	2018/11/09			ecn no	ELX-DG-31788-1			
TOLERANCES UNLESS OTHERWISE SPECIFIED						product family	rel level	Released		
surface	linear	0.X	±0.30		DDR4 288Pin DIMM CONNECTOR PTH TERMINATION	dwg no 10145226	rev D	ASME Y14.5		
		0.XX	±0.20					cat. no.	Product - Customer Drw	sheet 4 of 4
	angular	0°	±2°							

Mouser Electronics

Authorized Distributor

Click to View Pricing, Inventory, Delivery & Lifecycle Information:

[FCI / Amphenol:](#)

[10145226-0251313LF](#) [10145226-0251413LF](#) [10145226-0040N13LF](#) [10145226-0011N13LF](#) [10145226-0011P13LF](#)
[10145226-0001311LF](#) [10145226-0010N13LF](#) [10145226-0201N13LF](#) [10145226-0241Q13LF](#) [10145226-0201N11LF](#)
[10145226-0241N13LF](#) [10145226-0241P13LF](#) [10145226-0211P13LF](#) [10145226-0001P13LF](#) [10145226-0211N13LF](#)
[10145226-0201P11LF](#) [10145226-0002311LF](#) [10145226-0212N13LF](#) [10145226-0201311LF](#) [10145226-0202311LF](#)
[10145226-0241N11LF](#) [10145226-0261N13LF](#) [10145226-0261P13LF](#) [10145226-1000N13LF](#) [10145226-1001P13LF](#)
[10145226-1010N13LF](#) [10145226-1011P13LF](#) [10145226-0202N11LF](#)