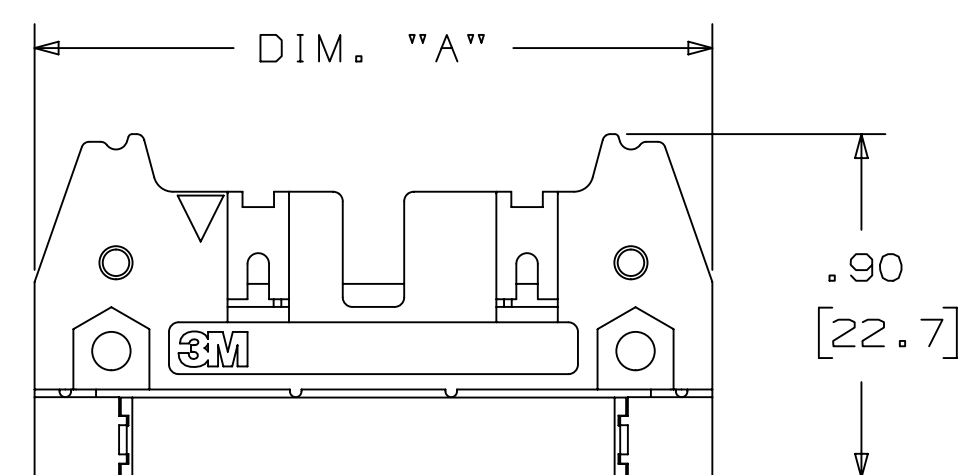
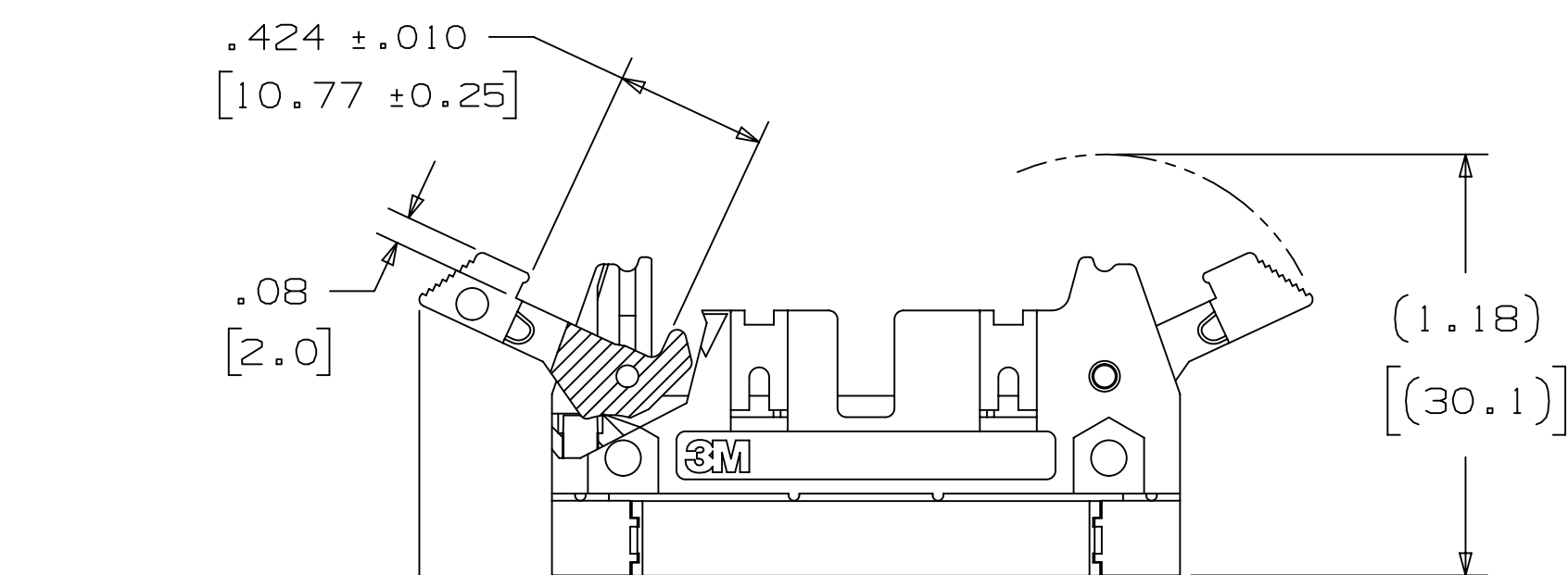


3M™ THREE-WALL CONDO HEADER, 3000 SERIES

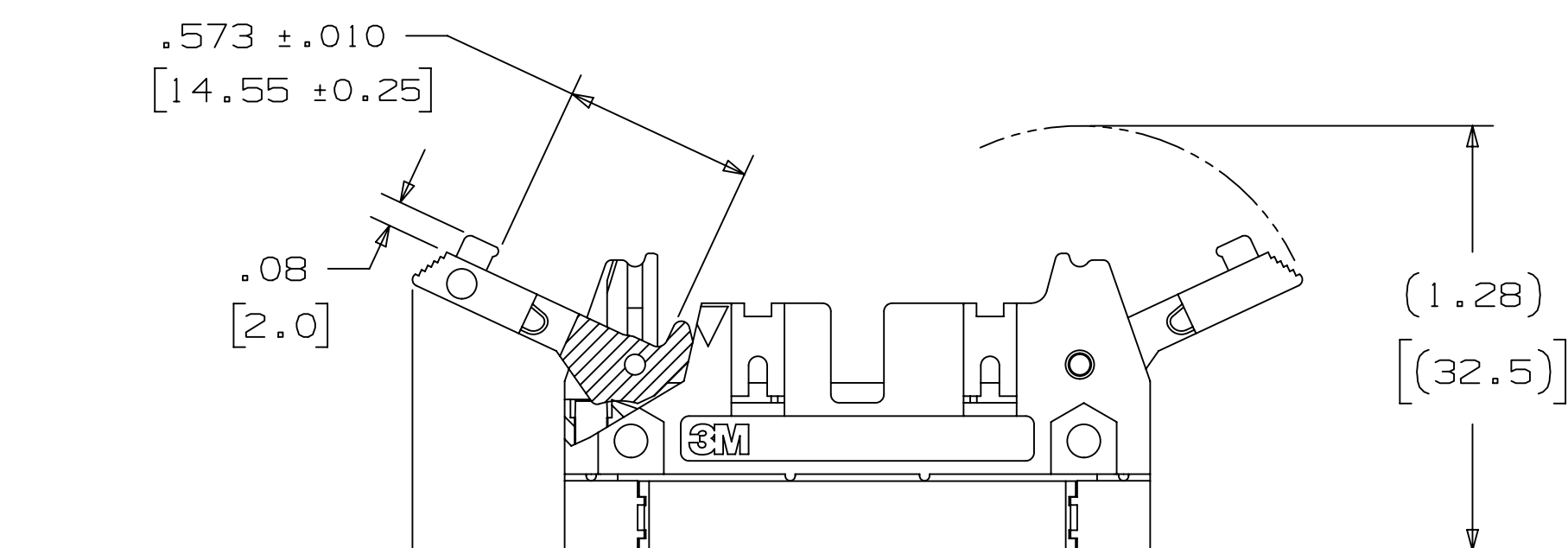
.100" X .100" LATCH/EJECTOR, RIGHT ANGLE



-D00X
HEADER WITHOUT LATCH/EJECTOR



-D20X
HEADER WITH SHORT LATCH/EJECTOR
FOR 3M SOCKETS WITHOUT STRAIN RELIEF



-D30X
HEADER WITH LONG LATCH/EJECTOR
FOR 3M SOCKETS WITH STRAIN RELIEF

- * STACKED PINS CONSERVE SPACE ON THE CIRCUIT BOARD ALLOWING HIGHER DENSITY PACKAGING.
- * PIN QUANTITY TO 128 GIVES DESIGN FLEXIBILITY WITH LATCHING.
- * "HDI" ALTERNATIVE.
- * THREE-WALL FITS IN VME BOARD STACKING CRITERIA.
- * ACCEPTS STANDARD IDC SOCKETS.
- * MATES WITH STANDARD FLAT CABLE HARNESSSES.
- * HIGH TEMPERATURE INSULATOR SUITABLE FOR "NO LEAD" SOLDERING OPERATIONS.
- * SUITABLE FOR REFLOW SOLDERING USING "PASTE IN HOLE" TECHNIQUES.

- NOTES
1. REGULATORY INFORMATION: VISIT 3M.com/regs
 2. IN THE EVENT OF CONFLICT BETWEEN THIS DATA AND THAT CONTAINED IN THE PRODUCT SPECIFICATION, THE PRODUCT SPECIFICATION TAKES PRECEDENT.
 3. NOTCHES A & C WILL ACCOMODATE 3M POLARIZING KEY: N3518.
 4. MOUNTING HARDWARE: FROM SOLDER SIDE OF PC BOARD USE #4-24 THREAD CUTTING SCREW (3M PART #3341-5) WITH Ø .116 [2.95] MOUNTING HOLE.

2 PHYSICAL :

INSULATOR: HIGH TEMP GLASS FILLED POLYESTER (PCT)
 MATERIAL: UL94V-0
 FLAMMABILITY: BLACK
 COLOR: COPPER ALLOY
 CONTACT: PLATING:
 UNDER PLATING: 50µ" - 150µ" [1.27µm - 3.81µm] NICKEL-OVERALL
 WIPING AREA: 30µ" [0.76µm] AVG. GOLD
 SOLDER TAILS: 200µ" [5.08µm] MIN MATTE TIN
 MARKINGS: 3M LOGO, PART IDENTIFICATION NUMBER AND ORIENTATION TRIANGLE

2 ELECTRICAL :

CURRENT RATING: 1A (EIA 364-70)
 INSULATION RESISTANCE: >1 X 10⁹Ω AT 500 V_{DC}
 WITHSTANDING VOLTAGE: 1,000V_{RMS} AT SEA LEVEL

2 ENVIRONMENTAL :

TEMPERATURE RATING: -55°C TO 105°C
 PROCESS RATING: 260°C, PER J-STD-020C, SINGLE PASS
 MOISTURE SENSITIVITY LEVEL: 1 (PER J-STD-020C, SINGLE PASS)

ORDERING INFORMATION

N3XXX-DXXXRB

3M PART NUMBER: (SEE TABLE 1) PLATING:

LATCH/EJECTOR SYSTEM:
 0 = NO LATCH/EJECTOR INSTALLED
 2 = SHORT ROLL PIN LATCH/EJECTORS
 3 = LONG ROLL PIN LATCH/EJECTORS

TAIL:
 02 = FOR .062 [1.57] THICK BOARD
 03 = FOR .094 TO .125 [2.39 TO 3.18] THICK BOARD

DIMENSIONS: INCHES [MM]
 [MM] IS REF. ONLY

3M ELECTRONICS MATERIALS SOLUTIONS DIVISION
 INTERCONNECT SOLUTIONS
<http://www.3M.com/interconnect>

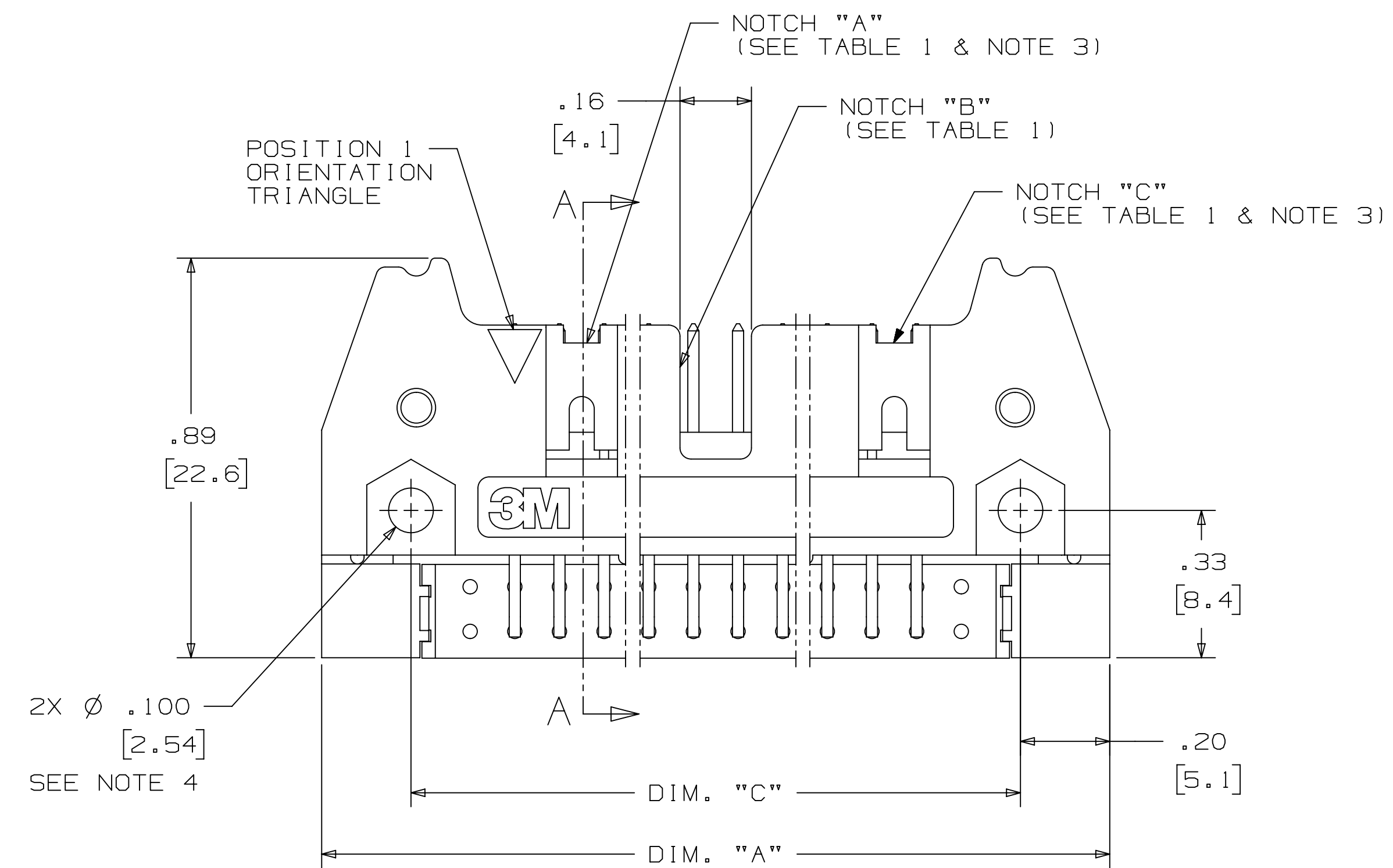
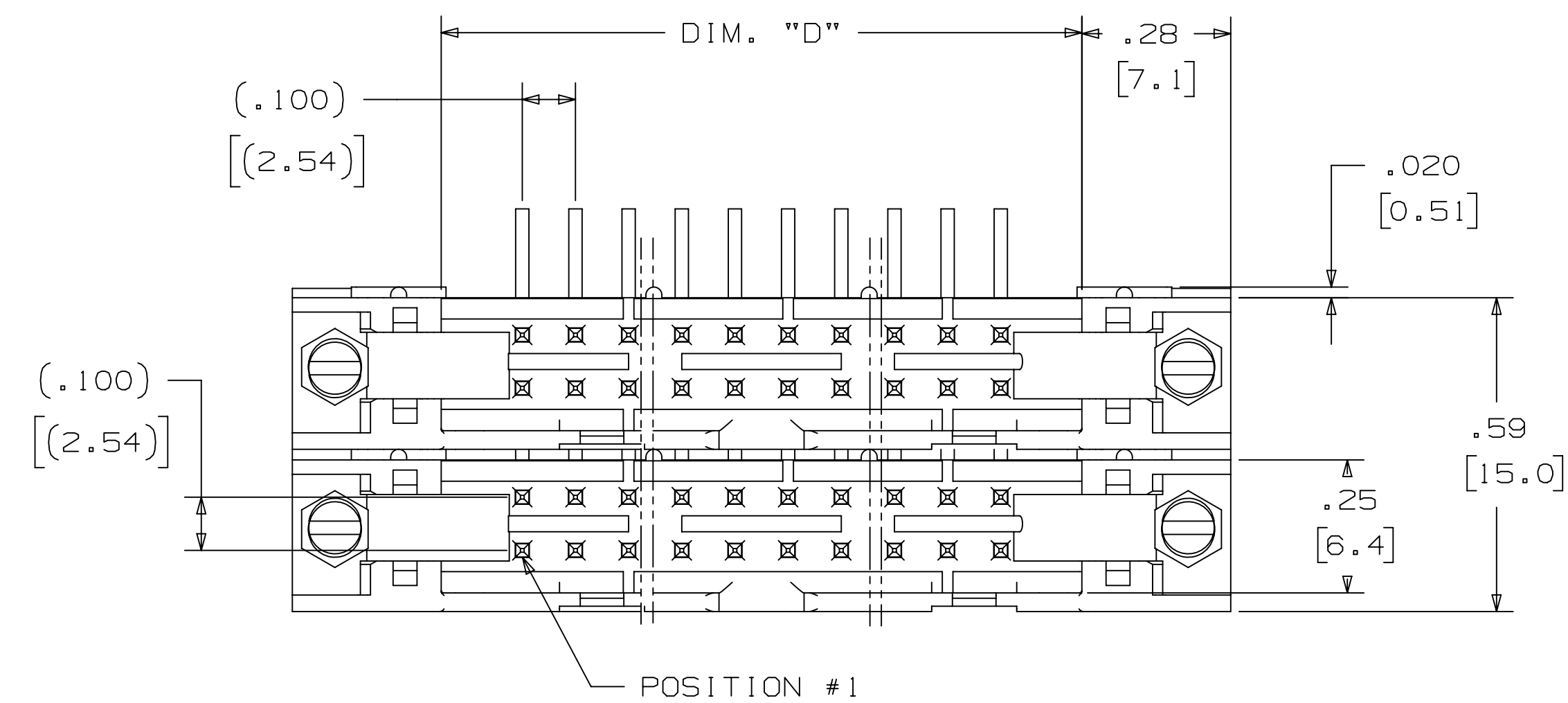
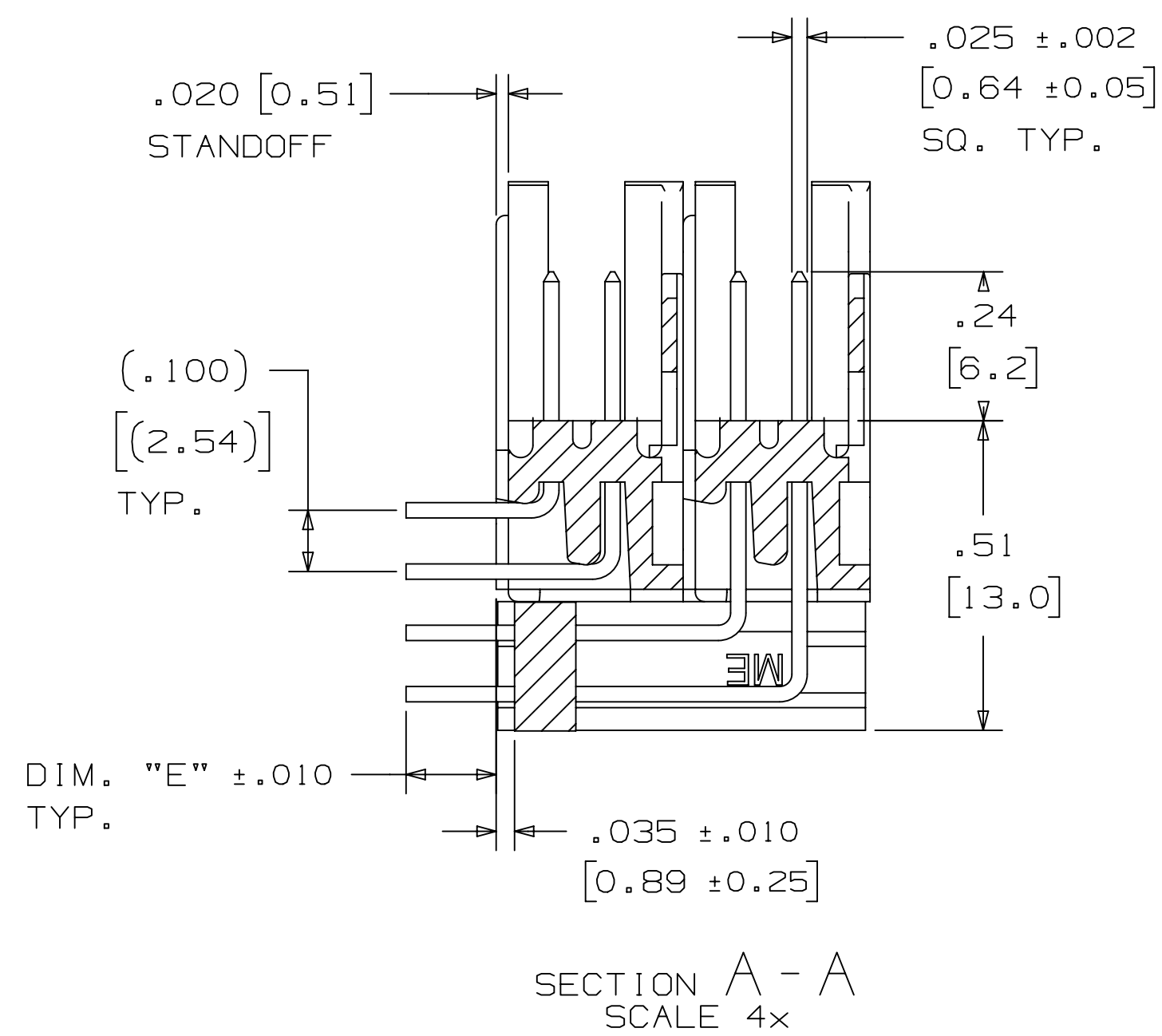
3M IS A TRADEMARK OF 3M COMPANY.
 FOR TECHNICAL, SALES OR ORDERING
 INFORMATION CALL 800-225-5373

3M
 UL FILE NO: E68080

| DESIGN REFERENCE | NEXT ASSEMBLY | REV | ECO | ISSUE DATE AND DESCRIPTION | DRFT | CHKD |
|----------------------------------|---------------|----------------------------|-------------|--|------------|--------------|
| | | M | 97909 | JUN 22, 2021 REVISED DIM'S AND NOTES | JNC | SAN |
| | | L | 93619 | JAN 06, 2021 REMOVED TIN LEAD PLATING | JNC | SAN |
| | | K | 60056 | MAR 06, 2015 REVISE ORDERING NUMBER | JNC | RS |
| | | J | 56068 | AUG 05, 2014 REVISED AND REDRAWN | JNC | RS |
| | | REV | ECO | ISSUE DATE AND DESCRIPTION | DRFT | CHKD |
| | | DRFT | CASTIGLIONE | DATE AUG 05, 2014 | MFG | DATE |
| | | CHKD | | DATE | APPV | DATE |
| | | | | | R. SCHERER | SEP 05, 2014 |
| Division: Interconnect Solutions | | Division Code: EMSD | | This document and the information it contains are 3M property and may not be reproduced or further distributed without 3M permission, or used or disclosed other than for 3M authorized purposes. All rights reserved. | | |
| DO NOT SCALE DRAWING | SCALE 2/1 | TOLERANCES EXCEPT AS NOTED | | TITLE THREE-WALL CONDO HEADER, .100 X .100 LATCH/EJECT, RA | | |
| THIRD ANGLE PROJECTION | | INCHES | | CAGE NUMBER D78-5100-0773-1 | | |
| INTERPRET PER ASME Y14.5 - 2018 | | MILLIMETERS | | DRAWING NO. 78-5100-0773-1 | | |
| MAX SURFACE ROUGHNESS | | INCHES | | MODEL 3400 | | |
| ALL SURFACES MARKED ONLY | | MILLIMETERS | | DET [] YES [X] NO [] SHT 1 OF 4 | | |

3M™ THREE-WALL CONDO HEADER, 3000 SERIES

.100" X .100" LATCH/EJECTOR, RIGHT ANGLE



| TABLE 1 | | | | | | |
|----------|----------------|--------------|---------------|-------------|--------------------|----------|
| PIN QTY. | 3M PART NUMBER | DIM. "A" | DIM. "C" | DIM. "D" | POLARIZING NOTCHES | PIN QTY. |
| 20 | 3793 | 1.26 [32.1] | .865 [21.97] | .71 [18.0] | BC | 20 |
| 28 | 3314 | 1.46 [37.2] | 1.065 [27.05] | .91 [23.1] | BC | 28 |
| 32 | 3408 | 1.56 [39.7] | 1.165 [29.59] | 1.01 [25.6] | ABC | 32 |
| 40 | 3428 | 1.76 [44.8] | 1.365 [34.67] | 1.21 [30.7] | ABC | 40 |
| 48 | 3627 | 1.96 [49.9] | 1.565 [39.75] | 1.41 [35.8] | ABC | 48 |
| 52 | 3429 | 2.06 [52.4] | 1.665 [42.29] | 1.51 [38.3] | ABC | 52 |
| 60 | 3440 | 2.26 [57.5] | 1.865 [47.37] | 1.71 [43.4] | ABC | 60 |
| 68 | 3431 | 2.46 [62.6] | 2.065 [52.45] | 1.91 [48.5] | ABC | 68 |
| 80 | 3432 | 2.76 [70.2] | 2.365 [60.07] | 2.21 [56.1] | ABC | 80 |
| 100 | 3433 | 3.26 [82.9] | 2.865 [72.77] | 2.71 [68.8] | ABC | 100 |
| 120 | 3372 | 3.76 [95.6] | 3.365 [85.47] | 3.21 [81.5] | ABC | 120 |
| 128 | 3764 | 3.96 [100.7] | 3.565 [90.55] | 3.41 [86.6] | ABC | 128 |

| TABLE 2 | | |
|-----------------------|--------------|-------------|
| 3M PART NUMBER SUFFIX | CONTACT TAIL | DIM. "E" |
| -XX02 | 02 | .112 [2.84] |
| -XX03 | 03 | .155 [3.94] |

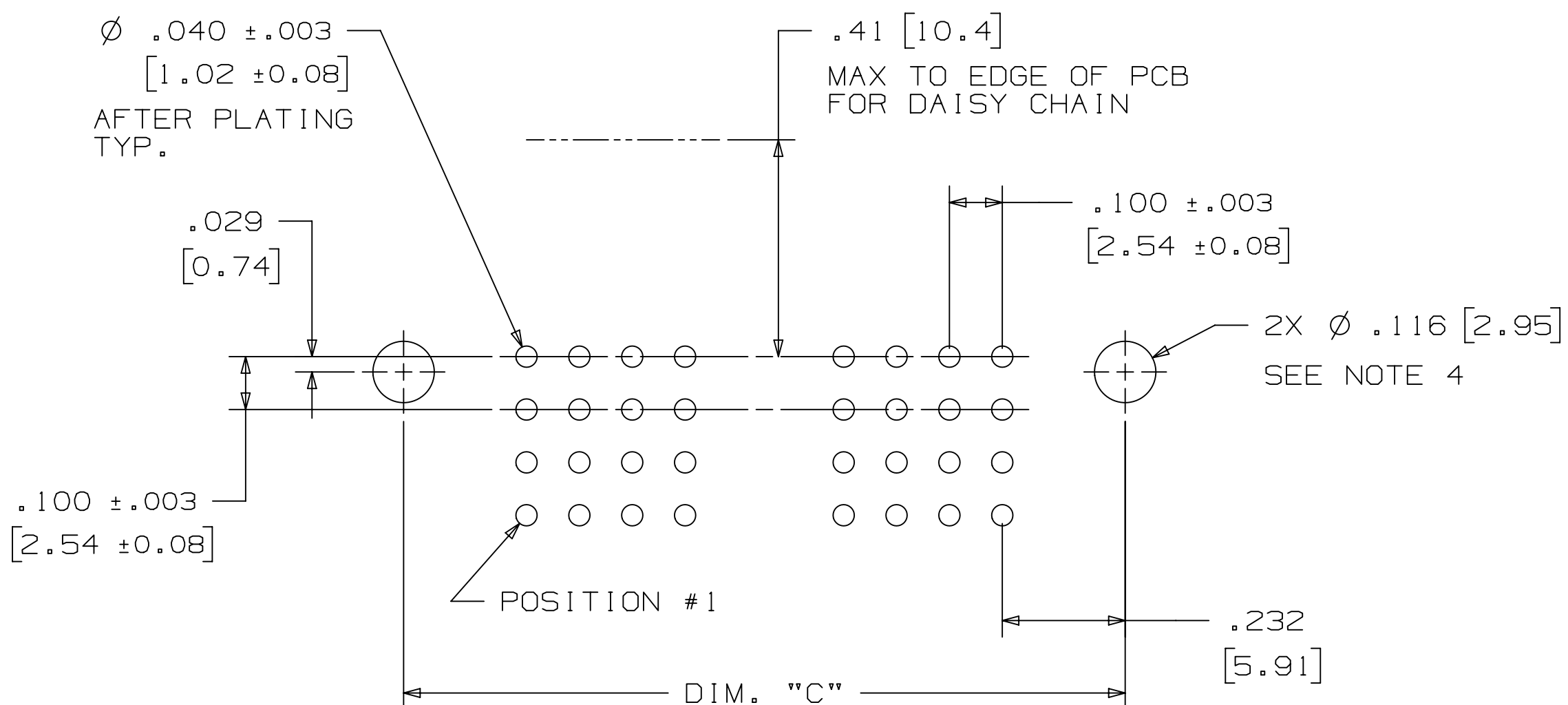
NOTE:
 .112 [2.84] TAIL LENGTH SUITABLE FOR
 .062 [1.57] THICK PC BOARD.

| | | | | | | |
|------------------------|---------------------------------|----------------------------|-------------|---|--------------|------------|
| DESIGN REFERENCE | NEXT ASSEMBLY | REV | ECO | ISSUE DATE AND DESCRIPTION | DRFT | CHKD |
| | | DRFT | CASTIGLIONE | DATE | AUG 05, 2014 | MFG |
| | | CHKD | | DATE | SEP 05, 2014 | APPV |
| | | | | DATE | | R. SCHERER |
| DIVISION | Interconnect Solutions | DIVISION CODE | EMSD | © 3M COPYRIGHT 2021 This document and the information it contains are 3M property and may not be reproduced or further distributed without 3M permission, or used or disclosed other than for 3M authorized purposes. All rights reserved. | | |
| DO NOT SCALE DRAWING | SCALE 4-1 | TOLERANCES EXCEPT AS NOTED | | INCHES .0 ± .1 .00 ± .01 .000 ± .005 .0000 ± .0002 | | |
| THIRD ANGLE PROJECTION | INTERPRET PER ASME Y14.5 - 2018 | MILLIMETERS | ± 2 | TITLE THREE-WALL CONDO HEADER, .100 X .100 LATCH/EJECT, RA | | |
| MAX SURFACE ROUGHNESS | MARKED ONLY | ANGLER | ± 3 | CAGE NUMBER D 78-5100-0773-1 | | |
| | | | | MODEL 3400 | | |
| | | | | DET [] YES [X] NO [] SHT 2 OF 4 | | |

| | | | | |
|--------------------------|-------|----------------------------|------|------|
| M | 97909 | JUN 22, 2021 | JNC | SAN |
| REVISED DIM'S AND NOTES | | | | |
| L | 93619 | JAN 06, 2021 | JNC | SAN |
| REMOVED TIN LEAD PLATING | | | | |
| K | 60056 | MAR 06, 2015 | JNC | RS |
| REVISE ORDERING NUMBER | | | | |
| J | 56068 | AUG 05, 2014 | JNC | RS |
| REVISED AND REDRAWN | | | | |
| REV | ECO | ISSUE DATE AND DESCRIPTION | DRFT | CHKD |

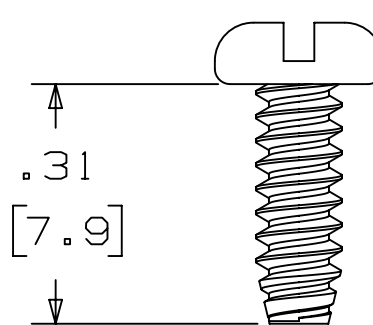
3M™ THREE-WALL CONDO HEADER, 3000 SERIES

.100" X .100" LATCH/EJECTOR, RIGHT ANGLE



RECOMMENDED MOUNTING HOLE PATTERN

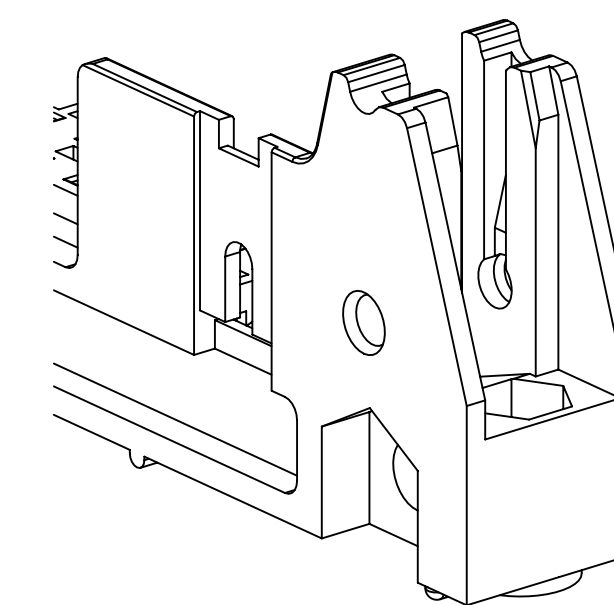
MOUNTING HARDWARE



3341-5

(INSTALL FROM BOTTOM OF BOARD)
SEE NOTE 4

PANHEAD THREAD CUTTING SCREW:
#4-24 X 5/16"
TYPE: USA STD BT, FEDERAL BG
MATERIAL: STAINLESS STEEL



#4-24 TYPE BT SELF THREADING SCREW
WHEN USING LATCHES, MAXIMUM LENGTH
OF SCREW IS .250 INCHES PLUS
THICKNESS OF THE BOARD.

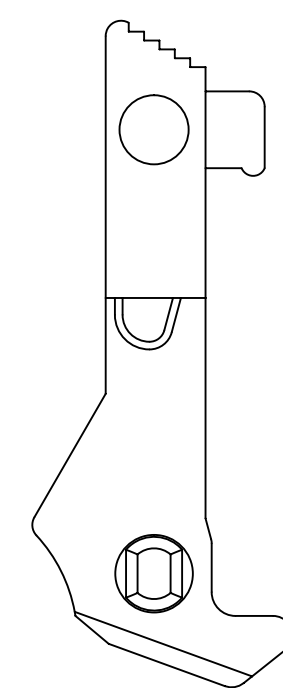
PART CUSTOMIZATION

THIS SPEC SHEET DETAILS OUR STANDARD OFFERING.

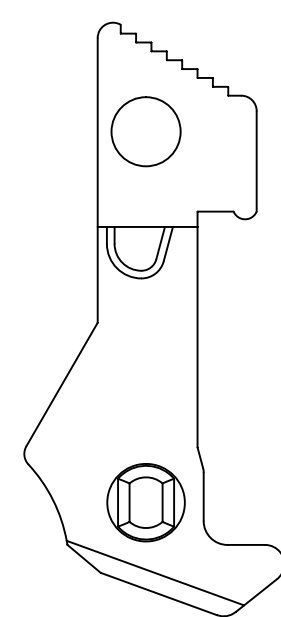
3M HAS SEVERAL CAPABILITIES THAT CAN PROVIDE A PART TAILORED TO YOUR SPECIFIC NEEDS. ASK YOUR 3M SALES REPRESENTATIVE OR CUSTOMER SERVICE FOR MORE DETAILS.

BOTH SNAP-IN AND ROLL PIN LATCHES MAY BE ORDERED SEPARATELY. SNAP-IN AND ROLL PIN STYLE LATCHES ARE DIMENSIONALLY AND FUNCTIONALLY EQUIVALENT. IF ORDERING SNAP-IN OR ROLL PIN STYLE LATCHES SEPARATELY, PLEASE USE THE BELOW CHART.

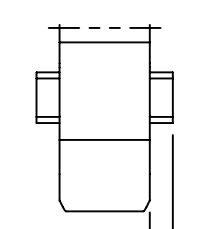
| MATERIAL | SHORT LATCH | LONG LATCH | LATCH STYLE | COLOR |
|------------------|-------------|------------|-------------|-------|
| HIGH TEMP. (PCT) | N3505-2B | N3505-3B | ROLL PIN | BLACK |
| HIGH TEMP (PPA) | N3505-30B | N3505-31B | SNAP-IN | BLACK |



LONG



SHORT

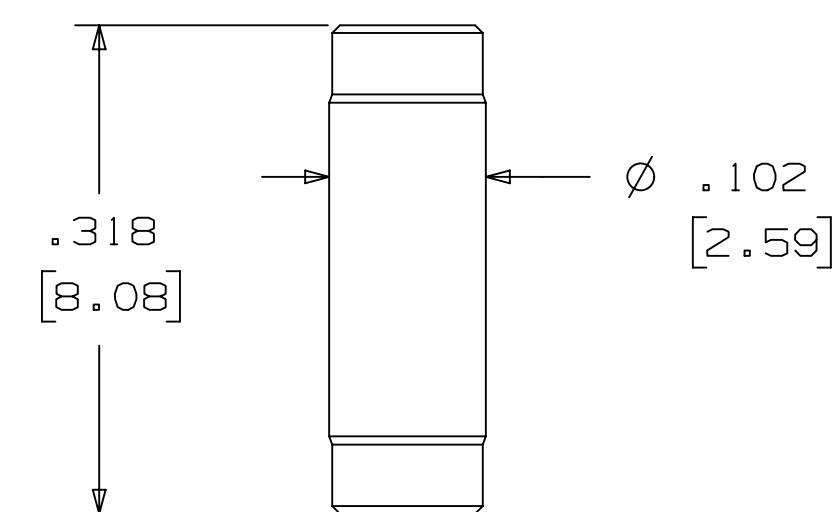


.03
[(0.8)]
TYP.

SNAP-IN LATCHES

NOTE:
SNAP-IN LATCHES CAN ONLY BE ORDERED SEPARATELY AND ARE THE CUSTOMERS RESPONSIBILITY TO INSTALL.

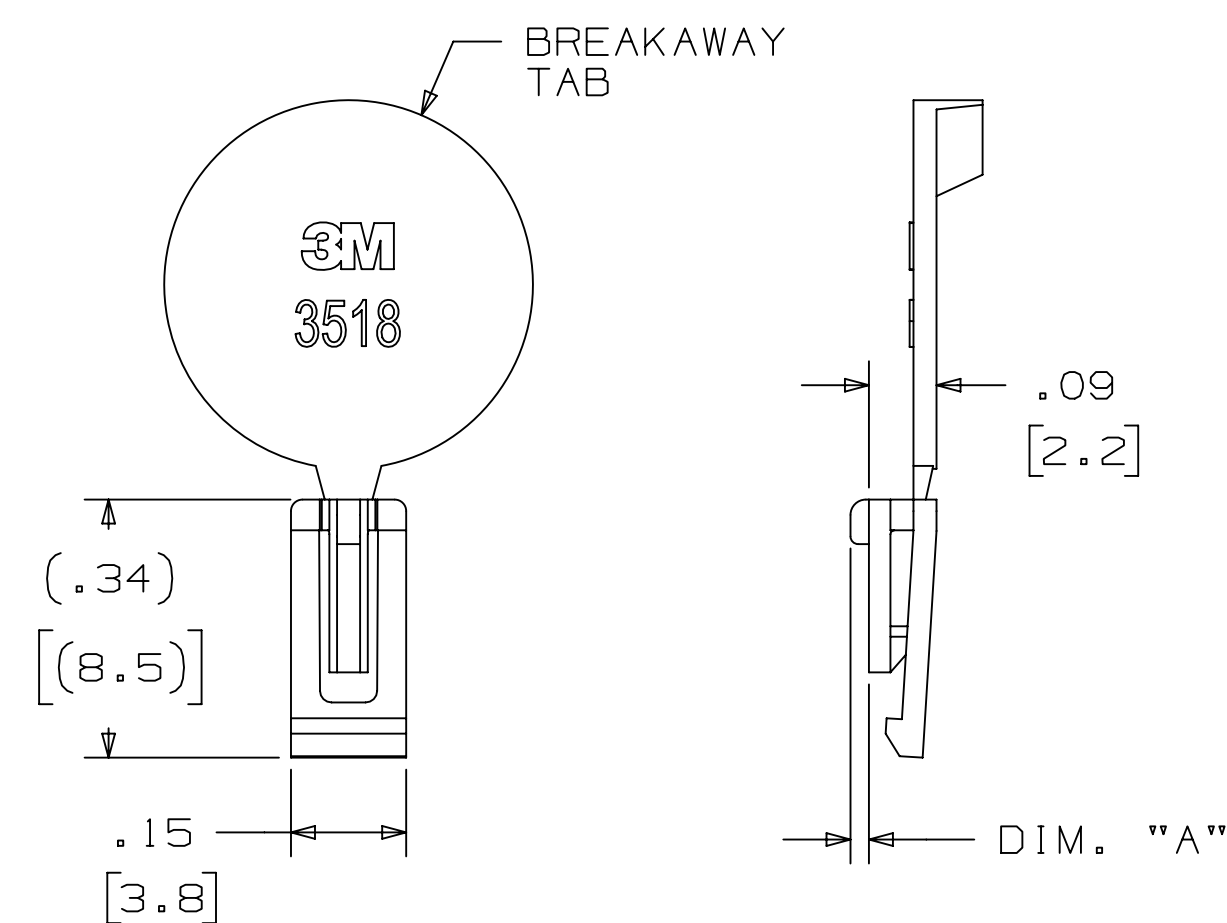
POLARIZING POST



| 3M PART NO. | MATERIAL | COLOR |
|-------------|----------|-------|
| 3201-4 | LCP | BLACK |

NOTE:
INSERT POST INTO ONE MOUNTING
HARDWARE HOLE ON BOTTOM OF HEADER.
SET POST TO PROTRUDE .115 [2.92]

POLARIZING KEY



| 3M PART NO. | MATERIAL | COLOR | DIM. "A" |
|-------------|----------|-------|----------|
| N3518 | LCP | BLACK | .02 |

NOTE:
#2216 B/A SCOTCHWELD CAN BE USED TO
ADHERE KEYS.

| DESIGN REFERENCE | NEXT ASSEMBLY | REV | ECO | ISSUE DATE AND DESCRIPTION | DRFT | CHKD |
|------------------|---------------|------|-------------|--|------------|--------------|
| | | M | 97909 | JUN 22, 2021 REVISED DIM'S AND NOTES | JNC | SAN |
| | | L | 93619 | JAN 06, 2021 REMOVED TIN LEAD PLATING | JNC | SAN |
| | | K | 60056 | MAR 06, 2015 REVISE ORDERING NUMBER | JNC | RS |
| | | J | 56068 | AUG 05, 2014 REVISED AND REDRAWN | JNC | RS |
| | | ECO | | ISSUE DATE AND DESCRIPTION | DRFT | CHKD |
| | | DRFT | CASTIGLIONE | DATE AUG 05, 2014 | MFG | DATE |
| | | CHKD | | DATE | APPV | DATE |
| | | | | | R. SCHERER | SEP 05, 2014 |

| DIVISION | INTERCONNECT SOLUTIONS | DIVISION CODE | EMSD |
|---|------------------------|--|------|
| DO NOT SCALE DRAWING | SCALE 4-1 | TOLERANCES EXCEPT AS NOTED | |
| THIRD ANGLE PROJECTION | | INCHES .0 ± .1 .00 ± .01 .000 ± .005 .0000 ± .0002 | |
| INTERPRET PER ASME Y14.5 - 2018 | | MILLIMETERS 0 ± 2 .0 ± .3 .00 ± .13 .000 ± .005 | |
| MAX SURFACE ROUGHNESS | | ALL SURFACES | |
| <input checked="" type="checkbox"/> MARKED ONLY | | ANGLES | |

| TITLE | CAGE NUMBER | SIZE | DRAWING NO. | REV. |
|--|-------------|----------------|-------------|---|
| THREE-WALL CONDO HEADER, .100 X .100 LATCH/EJECT, RA | D | 78-5100-0773-1 | M | |
| | MODEL | 3400 | DET | IS1S <input type="checkbox"/> YES <input checked="" type="checkbox"/> NO SHT 3 OF 4 |

78-5100-0773-1 M Revision

3M™ THREE-WALL CONDO HEADER, 3000 SERIES
 .100" X .100" LATCH/EJECTOR, RIGHT ANGLE

Regulatory: For regulatory information about this product, visit 3M.com/regs or contact your 3M representative.

Technical Information: The technical information, recommendations and other statements contained in this document are based upon tests or experience that 3M believes are reliable, but the accuracy or completeness of such information is not guaranteed.

Product Use: Many factors beyond 3M's control and uniquely within user's control can affect the use and performance of a 3M product in a particular application. Given the variety of factors that can affect the use and performance of a 3M product, user is solely responsible for evaluating the 3M product and determining whether it is fit for a particular purpose and suitable for user's method of application.

Warranty, Limited Remedy, and Disclaimer: Unless an additional warranty is specifically stated on the applicable 3M product packaging or product literature, 3M warrants that each 3M product meets the applicable 3M product specification at the time 3M ships the product. 3M MAKES NO OTHER WARRANTIES OR CONDITIONS, EXPRESS OR IMPLIED, INCLUDING, BUT NOT LIMITED TO, ANY IMPLIED WARRANTY OR CONDITION OF MERCHANTABILITY OR FITNESS FOR A PARTICULAR PURPOSE OR ANY IMPLIED WARRANTY OR CONDITION ARISING OUT OF A COURSE OF DEALING, CUSTOM OR USAGE OR TRADE. If the 3M product does not conform to this warranty, then the sole and exclusive remedy is, at 3M's option, replacement of the 3M product or refund of the purchase price.

Limitation of Liability: Except where prohibited by law, 3M will not be liable for any loss or damage arising from the 3M product, whether direct, indirect, special, incidental or consequential, regardless of the legal theory asserted, including warranty, contract, negligence or strict liability.

3M Company
 Electronics Materials Solutions Division
 13011 McCallen Pass, Bldg. C
 Austin, TX 78753-5380
 1-800-225-5373
 www.3M.com/interconnect

| REV | ECO | ISSUE DATE AND DESCRIPTION | DRFT | CHKD |
|-----|-------|---|------|------|
| M | 97909 | JUN 22,2021 REVISED DIM'S AND NOTES | JNC | SAN |
| L | 93619 | JAN 06,2021 REMOVED TIN LEAD PLATING | JNC | SAN |
| K | 60056 | MAR 06,2015 REVISE ORDERING NUMBER | JNC | RS |
| J | 56068 | AUG 05,2014 REVISED AND REDRAWN | JNC | RS |

| DESIGN REFERENCE | NEXT ASSEMBLY | REV | ECO | ISSUE DATE AND DESCRIPTION | DRFT | CHKD |
|------------------|---------------|-----|-----|----------------------------|------|------|
| | | | | | | |

| DRWG CODES | DRFT | DATE | CHKD | DATE | APPV | DATE |
|------------|-------------|-------------|------|------|------------|-------------|
| | CASTIGLIONE | AUG 05,2014 | | | R. SCHERER | SEP 05,2014 |

| DIVISION | DIVISION CODE |
|------------------------|---------------|
| Interconnect Solutions | EMSD |

| DO NOT SCALE DRAWING | SCALE | TOLERANCES EXCEPT AS NOTED |
|----------------------|--------|----------------------------|
| | 4 1 | |

| THIRD ANGLE PROJECTION | INCHES | MILLIMETERS |
|------------------------|--|--|
| | .0 ± .1 .00 ± .01 .000 ± .005 .0000 ± .0002 | 0 ± 2 .0 ± .3 .00 ± .13 .000 ± .005 |

| MAX SURFACE ROUGHNESS | ALL SURFACES | MARKED ONLY |
|-----------------------|--------------|-------------|
| | | |

| TITLE |
|--|
| THREE-WALL CONDO HEADER, .100 X .100 LATCH/EJECT, RA |

| CAGE NUMBER | SIZE | DRAWING NO. | REV. |
|-------------|------|----------------|------|
| D | | 78-5100-0773-1 | M |

| MODEL | DET | YES | NO | SHT | OF |
|-------|-----|-----|----|-----|----|
| 3400 | | | | 4 | 4 |

78-5100-0773-1 M Revision