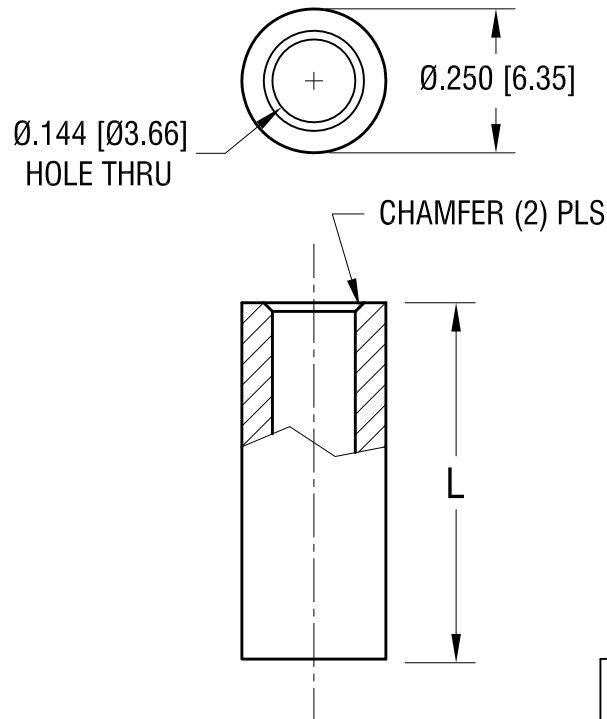


THIS DOCUMENT IS THE PROPERTY OF
KEYSTONE ELECTRONICS CORP. AND
SHALL NOT BE REPRODUCED, DISTRIBUTED
OR USED AS A BASIS FOR MANUFACTURE
WITHOUT PRIOR WRITTEN PERMISSION
FROM KEYSTONE ELECTRONICS CORP.

ACTUAL SIZE
P/N 3466



PART NO.	'L' DIM.
3464	.250 [6.35]
3465	.375 [9.52]
3466	.500 [12.70]
3467	.750 [19.09]
3468	1.000 [25.4]
3469	1.500 [38.10]
3470	2.000 [50.80]

KEYSTONE ELECTRONICS CORP.

www.keyelco.com • NEW HYDE PARK, NY 11040 • Tel (516) 328-7500

PART NAME

CLEAR THRU-HOLE SPACER

MATERIAL

LEAD FREE ALUMINUM

FINISH

CLEAR IRIDITE

DRN BY

BOONE

DATE

2.12.98

APP'D

RH

SCALE

3X

8.02.13 CHANGE AS PER ECN 23-132

A

TOLERANCES

INCH [MM]

DECIMAL ± .005 [± 0.13]

ANGULAR ± 1°
UNLESS OTHERWISE SPECIFIED

CODE

C

DWG NO.

3464 - 3470

DATE

DESCRIPTION

REV.